

(19) World Intellectual Property Organization
International Bureau



(43) International Publication Date
3 November 2011 (03.11.2011)

(10) International Publication Number
WO 2011/136627 A3

(51) International Patent Classification:
H04B 7/04 (2006.01) *H03M 13/00* (2006.01)

(KR). **KIM, Ki II**; Nokwon Maeul Saecheonmyeon Green Vill Apt., Singal-dong, Giheung-gu, Yongin-si, Gyeonggi-do 446-907 (KR).

(21) International Application Number:
PCT/KR2011/003272

(74) Agent: **MUHANN PATENT & LAW FIRM**; 2, 5, 6th Floor, Myeonglim Building, 51-8 Nonhyeon-dong, Gangnam-gu, Seoul 135-814 (KR).

(22) International Filing Date:
2 May 2011 (02.05.2011)

(25) Filing Language: English

(81) Designated States (unless otherwise indicated, for every kind of national protection available): AE, AG, AL, AM, AO, AT, AU, AZ, BA, BB, BG, BH, BR, BW, BY, BZ, CA, CH, CL, CN, CO, CR, CU, CZ, DE, DK, DM, DO, DZ, EC, EE, EG, ES, FI, GB, GD, GE, GH, GM, GT, HN, HR, HU, ID, IL, IN, IS, JP, KE, KG, KM, KN, KP, KZ, LA, LC, LK, LR, LS, LT, LU, LY, MA, MD, ME, MG, MK, MN, MW, MX, MY, MZ, NA, NG, NI, NO, NZ, OM, PE, PG, PH, PL, PT, RO, RS, RU, SC, SD, SE, SG, SK, SL, SM, ST, SV, SY, TH, TJ, TM, TN, TR, TT, TZ, UA, UG, US, UZ, VC, VN, ZA, ZM, ZW.

(26) Publication Language: English

(30) Priority Data:
61/329,634 30 April 2010 (30.04.2010) US
61/355,681 17 June 2010 (17.06.2010) US
61/356,768 21 June 2010 (21.06.2010) US
61/373,942 16 August 2010 (16.08.2010) US
61/388,736 1 October 2010 (01.10.2010) US
61/428,348 30 December 2010 (30.12.2010) US
10-2011-0031200 5 April 2011 (05.04.2011) KR

(71) Applicant (for all designated States except US): **SAMSUNG ELECTRONICS CO., LTD.** [KR/KR]; 416, Maetan-dong, Yeongtong-gu, Suwon-si, Gyeonggi-do 443-742 (KR).

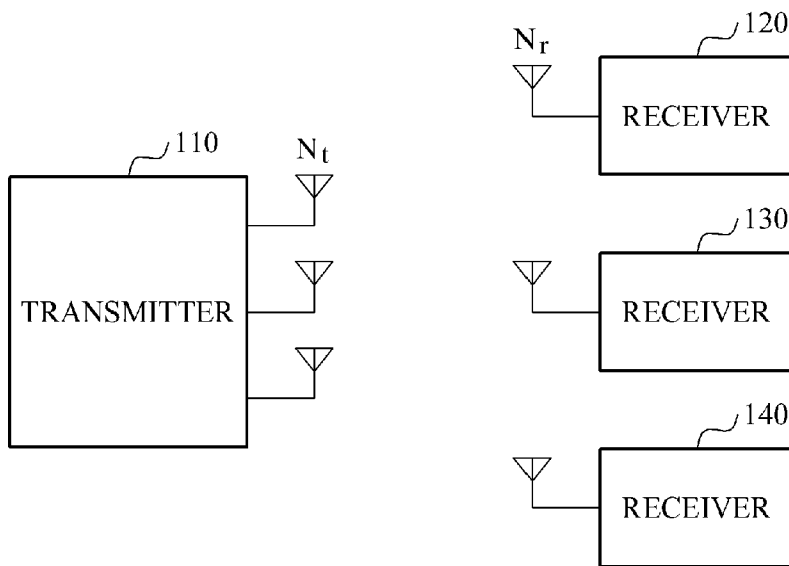
(84) Designated States (unless otherwise indicated, for every kind of regional protection available): ARIPO (BW, GH, GM, KE, LR, LS, MW, MZ, NA, SD, SL, SZ, TZ, UG, ZM, ZW), Eurasian (AM, AZ, BY, KG, KZ, MD, RU, TJ, TM), European (AL, AT, BE, BG, CH, CY, CZ, DE, DK, EE, ES, FI, FR, GB, GR, HR, HU, IE, IS, IT, LT, LU, LV, MC, MK, MT, NL, NO, PL, PT, RO, RS, SE, SI, SK, SM, TR), OAPI (BF, BJ, CF, CG, CI, CM, GA, GN, GQ, GW, ML, MR, NE, SN, TD, TG).

(72) Inventors: **CHOI, Jun Il**; No. 104-1302, Bangbae hyundai-mempis Apt., Bangbaebon-dong, Seocho-gu, Seoul 137-069 (KR). **CLERCKX, Bruno**; No. 920, Seocho Io Vill, 1593-7, Seocho-dong, Seocho-gu, Seoul 137-070

[Continued on next page]

(54) Title: MULTIPLE INPUT MULTIPLE OUTPUT COMMUNICATION SYSTEM USING CODEBOOK CORRESPONDING TO EACH REPORTING MODE

[Fig. 1]



(57) Abstract: A multiple input multiple output (MIMO) communication system using a first codebook and a second codebook is provided. The first codebook and the second codebook may independently exist, or may exist in a form of an overall codebook in which the first codebook and the second codebook are integrated with each other. A receiver may extract a first precoding matrix indicator from the first codebook, and may extract a second precoding matrix indicator from the second codebook. The receiver may also extract the first precoding matrix indicator and the second precoding matrix indicator from the overall codebook. The first precoding matrix indicator and the second precoding matrix indicator may be fed back to a transmitter. The transmitter may determine a precoding matrix based on the first precoding matrix indicator and the second precoding matrix indicator.

WO 2011/136627 A3



Published:

(88) Date of publication of the international search report:

- *with international search report (Art. 21(3))*
- *before the expiration of the time limit for amending the claims and to be republished in the event of receipt of amendments (Rule 48.2(h))*

1 March 2012

A. CLASSIFICATION OF SUBJECT MATTER***H04B 7/04(2006.01)i, H03M 13/00(2006.01)i***

According to International Patent Classification (IPC) or to both national classification and IPC

B. FIELDS SEARCHED

Minimum documentation searched (classification system followed by classification symbols)

H04B 7/04; H01Q 3/00; H04B 1/69; H04K 1/10; H01Q 3/30

Documentation searched other than minimum documentation to the extent that such documents are included in the fields searched

Korean utility models and applications for utility models

Japanese utility models and applications for utility models

Electronic data base consulted during the international search (name of data base and, where practicable, search terms used)

eKOMPASS(KIPO internal) & Keywords: MIMO & first codebook & matrix indicator

C. DOCUMENTS CONSIDERED TO BE RELEVANT

Category*	Citation of document, with indication, where appropriate, of the relevant passages	Relevant to claim No.
A	US 2010-0074353 A1 (ZHOU YONGXING et al.) 25 March 2010 See abstract; paragraphs [9]-[21]; figures 3-6; claims 1-15	1-8
A	WO 2009-096708 A1 (LG ELECTRONICS INC. et al.) 06 August 2009 See abstract; paragraphs [62]-[84]; figures 1-5; claims 1-10	1-8
A	US 2009-0189812 A1 (XIA PENGFEI et al.) 30 July 2009 See abstract; figures 3-6; claims 1-19	1-8
A	US 2008-0094281 A1 (TENG YONG et al.) 24 April 2008 See abstract; figures 2-8; claims 1-30	1-8

 Further documents are listed in the continuation of Box C. See patent family annex.

* Special categories of cited documents:

"A" document defining the general state of the art which is not considered to be of particular relevance

"E" earlier application or patent but published on or after the international filing date

"L" document which may throw doubts on priority claim(s) or which is cited to establish the publication date of citation or other special reason (as specified)

"O" document referring to an oral disclosure, use, exhibition or other means

"P" document published prior to the international filing date but later than the priority date claimed

"T" later document published after the international filing date or priority date and not in conflict with the application but cited to understand the principle or theory underlying the invention

"X" document of particular relevance; the claimed invention cannot be considered novel or cannot be considered to involve an inventive step when the document is taken alone

"Y" document of particular relevance; the claimed invention cannot be considered to involve an inventive step when the document is combined with one or more other such documents, such combination being obvious to a person skilled in the art

"&" document member of the same patent family

Date of the actual completion of the international search

16 DECEMBER 2011 (16.12.2011)

Date of mailing of the international search report

23 DECEMBER 2011 (23.12.2011)

Name and mailing address of the ISA/KR

Korean Intellectual Property Office
Government Complex-Daejeon, 189 Cheongsa-ro,
Seo-gu, Daejeon 302-701, Republic of Korea

Facsimile No. 82-42-472-7140

Authorized officer

MUN, Hyeong Sub

Telephone No. 82-42-481-5686



INTERNATIONAL SEARCH REPORT

Information on patent family members

International application No.

PCT/KR2011/003272

Patent document cited in search report	Publication date	Patent family member(s)	Publication date
US 2010-0074353 A1	25.03.2010	KR 10-2010-0035086 A	02.04.2010
WO 2009-096708 A1	06.08.2009	KR 10-2009-0083834 A US 2010-0310000 A1	04.08.2009 09.12.2010
US 2009-0189812 A1	30.07.2009	CN 101926103 A EP 2235844 A1 KR 10-2010-0122077 A WO 2009-093871 A1	22.12.2010 06.10.2010 19.11.2010 30.07.2009
US 2008-0094281 A1	24.04.2008	WO 2008-050193 A2 WO 2008-050193 A3	02.05.2008 02.05.2008