



US0D1067968S

(12) **United States Design Patent**  
**Zhang et al.**

(10) **Patent No.:** **US D1,067,968 S**

(45) **Date of Patent:** **\*\* Mar. 25, 2025**

(54) **POINT-OF-SALE TERMINAL**  
(71) Applicant: **FUJIAN NEWLAND PAYMENT TECHNOLOGY CO., LTD.**, Fuzhou (CN)

D409,650 S \* 5/1999 Hanna ..... D18/4.6  
D547,361 S \* 7/2007 Henry ..... D18/4.6  
D554,694 S \* 11/2007 Slinckx ..... D18/4.4  
7,623,889 B2 \* 11/2009 Chen ..... G11B 31/00  
455/575.1  
D638,465 S \* 5/2011 Goldin ..... D18/4.6

(72) Inventors: **Jujie Zhang**, Fuzhou (CN); **Cuiting Zhong**, Fuzhou (CN); **Xuanqing Chen**, Fuzhou (CN); **Xiaoan Wang**, Fuzhou (CN)

(Continued)

(73) Assignee: **FUJIAN NEWLAND PAYMENT TECHNOLOGY CO., LTD.**, Fuzhou (CN)

**OTHER PUBLICATIONS**

Boxwave, (date first available May 11, 2023), Stylus Pen Compatible with Newland P300, Amazon.com, URL: (<https://www.amazon.com/BoxWave-Stylus-Compatible-Newland-P300/dp/B0CGMMLWRR>), (Year: 2023).\*

(Continued)

(\*\*) Term: **15 Years**

*Primary Examiner* — Calvin E Vansant

(21) Appl. No.: **29/909,943**

*Assistant Examiner* — Cheng Chen

(22) Filed: **Aug. 14, 2023**

(30) **Foreign Application Priority Data**

(57) **CLAIM**

Feb. 17, 2023 (CN) ..... 202330056570.2

The ornamental design for a point-of-sale terminal as shown and described.

(51) **LOC (15) Cl.** ..... **18-01**

(52) **U.S. Cl.**  
USPC ..... **D18/4.4; D18/4.6**

(58) **Field of Classification Search**  
USPC ... D18/2, 4.4-4.6, 11-12, 12.3, 19-21, 54.1, D18/99; D14/300, 307, 318, 338-339, D14/341, 383, 385-387, 507, 900-902; D10/46  
CPC ..... G06Q 20/08; G06Q 20/16; G06Q 20/18; G06Q 20/20; G06Q 20/204; G07F 7/0873; G07F 7/088; G07F 7/0886; G07F 7/0893; H04W 52/0225; H04W 52/0254; G06F 1/1633

**DESCRIPTION**

See application file for complete search history.

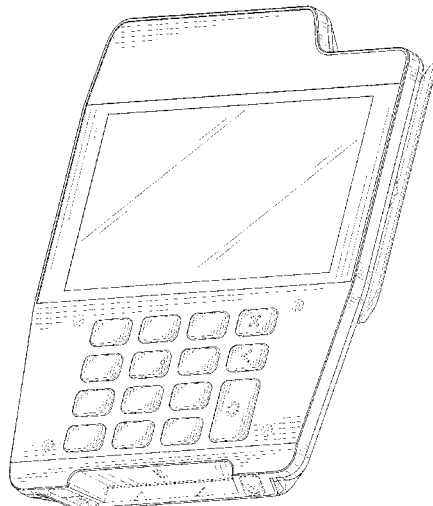
FIG. 1 is a perspective view of a point-of-sale terminal showing our new design;  
FIG. 2 is another perspective view thereof;  
FIG. 3 is a front elevational view thereof;  
FIG. 4 is a rear elevational view thereof;  
FIG. 5 is a left side elevational view thereof;  
FIG. 6 is a right side elevational view thereof;  
FIG. 7 is a top plan view thereof;  
FIG. 8 is a bottom plan view thereof; and,  
FIG. 9 is a perspective view of the point-of-sale terminal where the point-of-sale terminal is in a configuration of use. The broken lines in the drawings depict portions of the point-of-sale terminal that form no part of the claimed design.

(56) **References Cited**

**U.S. PATENT DOCUMENTS**

D367,044 S \* 2/1996 Arakaki ..... D18/4.6  
D394,079 S \* 5/1998 Leung ..... D18/7

**1 Claim, 9 Drawing Sheets**



(56)

References Cited

U.S. PATENT DOCUMENTS

D665,011 S \* 8/2012 Takahashi ..... D18/4.6  
 D672,386 S \* 12/2012 Matunuma ..... D18/4.6  
 D685,789 S \* 7/2013 Chang ..... D14/383  
 D703,670 S \* 4/2014 Rotsaert ..... D14/307  
 D716,369 S \* 10/2014 Park ..... D18/4.6  
 D716,371 S \* 10/2014 Lee ..... D18/4.6  
 D716,372 S \* 10/2014 Lee ..... D18/4.6  
 D729,867 S \* 5/2015 Lee ..... D18/4.6  
 D768,766 S \* 10/2016 Demange ..... D18/4.4  
 D768,767 S \* 10/2016 Demange ..... D18/4.4  
 D791,223 S \* 7/2017 Blanc ..... D18/4.6  
 D806,160 S \* 12/2017 Specht ..... D18/4.6  
 D810,817 S \* 2/2018 Wang ..... D18/4.6  
 D816,082 S \* 4/2018 Stijnen ..... D14/387  
 D818,036 S \* 5/2018 Ozawa ..... D18/19  
 D821,398 S \* 6/2018 Karlsson ..... D14/387  
 9,990,616 B2 \* 6/2018 Wang ..... G07F 7/0873  
 D822,098 S \* 7/2018 Maeda ..... D18/19  
 D823,935 S \* 7/2018 Wang ..... D18/4.6  
 D841,648 S \* 2/2019 Rotsaert ..... D14/385  
 D886,189 S \* 6/2020 Koh ..... D14/339  
 D886,898 S \* 6/2020 Huang ..... D18/4.6  
 10,825,280 B2 \* 11/2020 Andre ..... G07F 7/0886  
 D912,725 S \* 3/2021 Luo ..... D18/4.6  
 D915,504 S \* 4/2021 Wang ..... D14/387  
 D916,180 S \* 4/2021 Luo ..... D18/4.6  
 D923,696 S \* 6/2021 Wang ..... D14/455  
 D940,787 S \* 1/2022 Luo ..... D18/4.6

D951,337 S \* 5/2022 Waite ..... D18/12  
 D951,338 S \* 5/2022 Waite ..... D18/12  
 D1,016,137 S \* 2/2024 Asano ..... D18/19  
 D1,038,225 S \* 8/2024 Demange ..... D18/4.6  
 D1,044,932 S \* 10/2024 Demange ..... D18/4.6  
 D1,048,174 S \* 10/2024 Demange ..... D18/4.6  
 D1,053,244 S \* 12/2024 Gandra ..... D18/4.6  
 2013/0225075 A1 \* 8/2013 Schmid ..... H04B 15/02  
 455/41.1  
 2015/0161579 A1 \* 6/2015 Madden ..... G07F 19/206  
 705/18  
 2015/0278557 A1 \* 10/2015 Yasutomi ..... G06F 1/1684  
 361/679.3  
 2017/0046678 A1 \* 2/2017 Demir ..... G07G 1/0018  
 2017/0061746 A1 \* 3/2017 Tanaka ..... G06K 7/0004  
 2017/0140179 A1 \* 5/2017 Neo ..... G06K 7/084

OTHER PUBLICATIONS

Strideretail, (date retrieved Jan. 7, 2025), Pax A30 Terminal, Strideretail.com, URL: (<https://strideretail.com/shop/pax-a30-terminal-100#attr=>), (Year: 2025).\*  
 Spectra Merchant Service, (date retrieved Jan. 7, 2025), T300 Unattended payment terminal, Spectra-ms.com, URL:(<https://spectra-ms.com/product-t300u/>), (Year: 2025).\*  
 Newland NPT, (date retrieved Jan. 7, 2025), P300, Newlandnpt.com, URL: (<https://www.newlandnpt.com/products/multilane/147542.html>), (Year: 2025).\*

\* cited by examiner

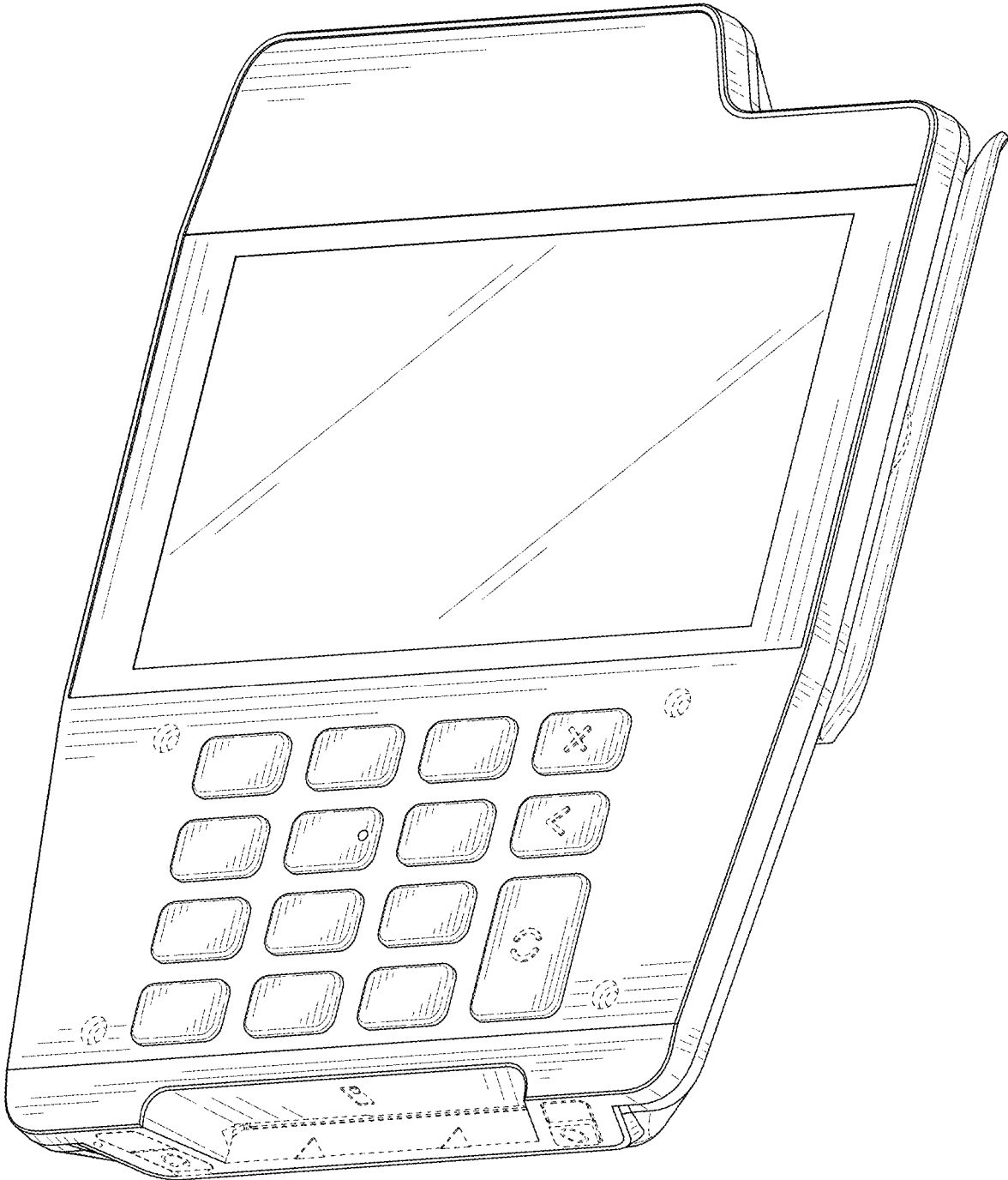


FIG. 1

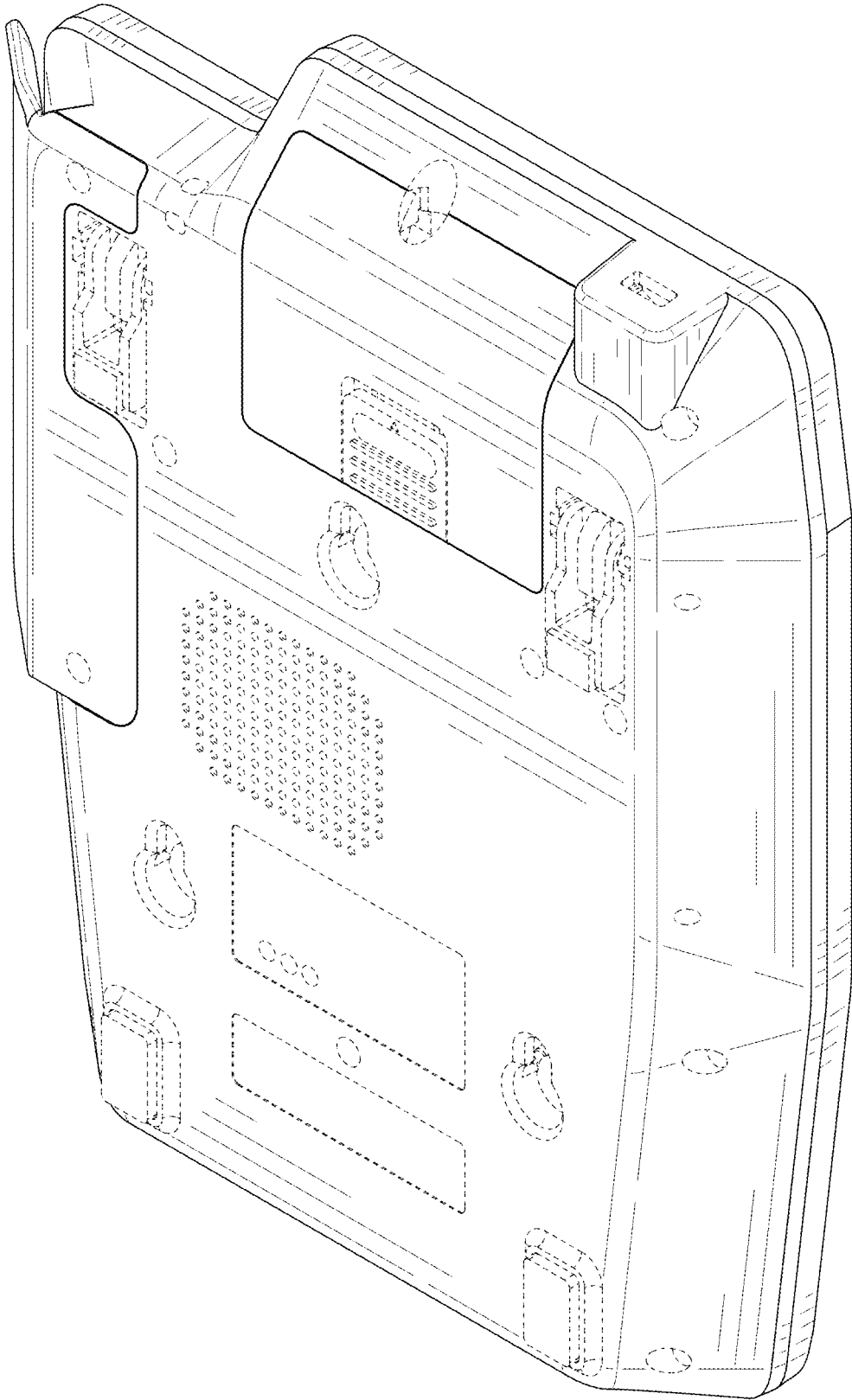


FIG. 2



FIG. 3

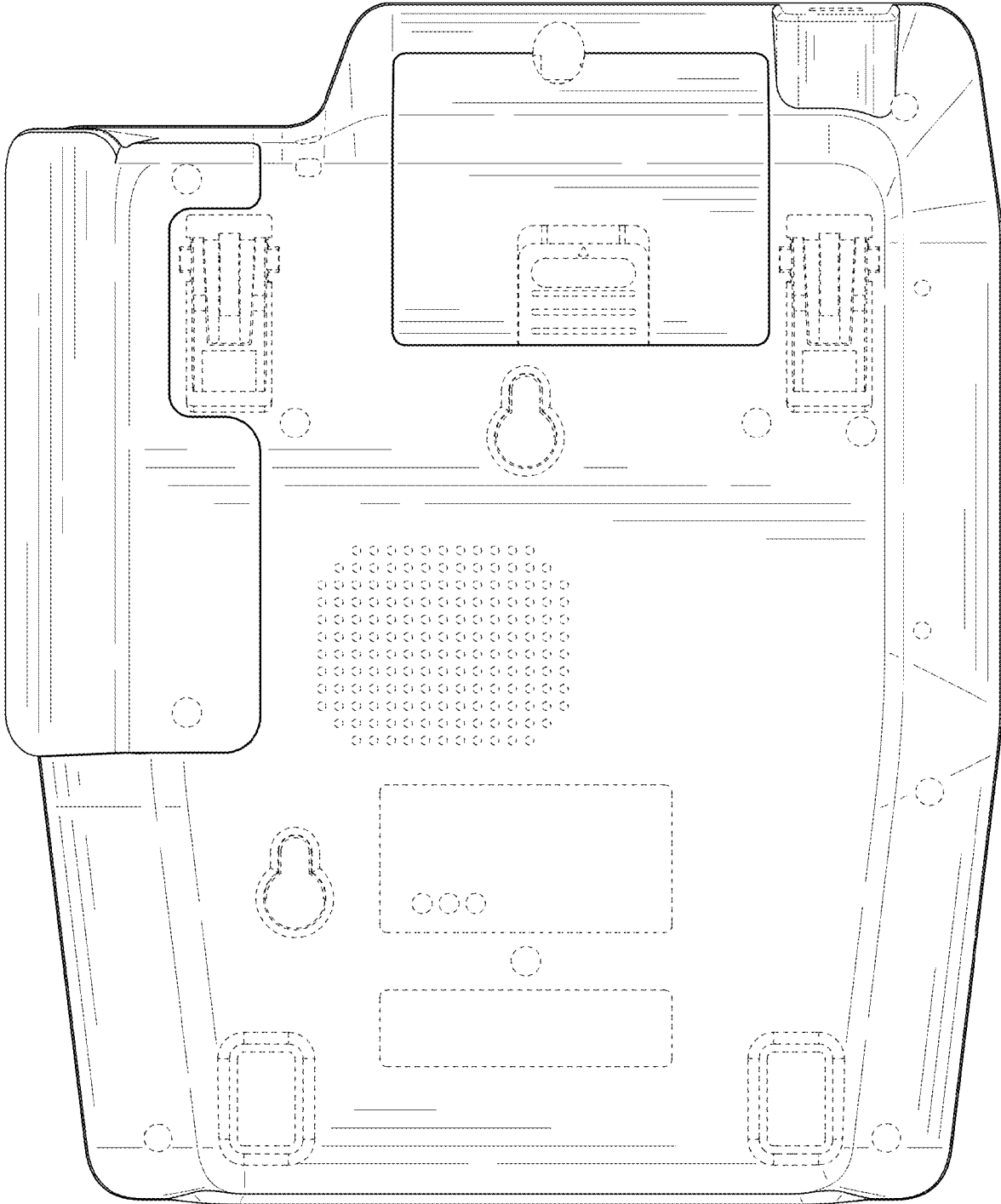


FIG. 4

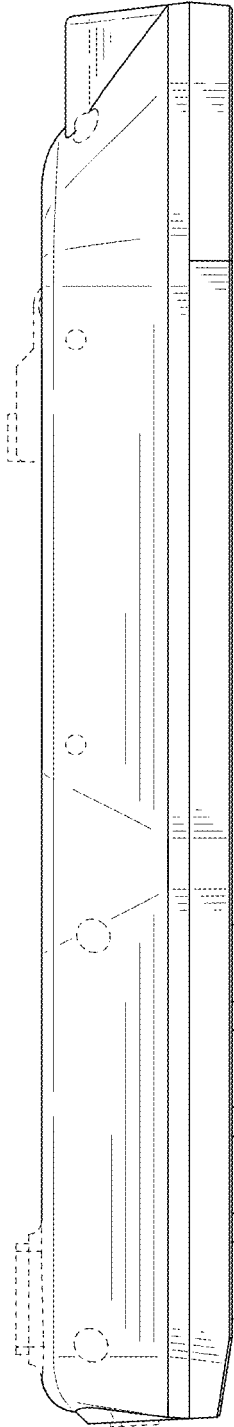


FIG. 5

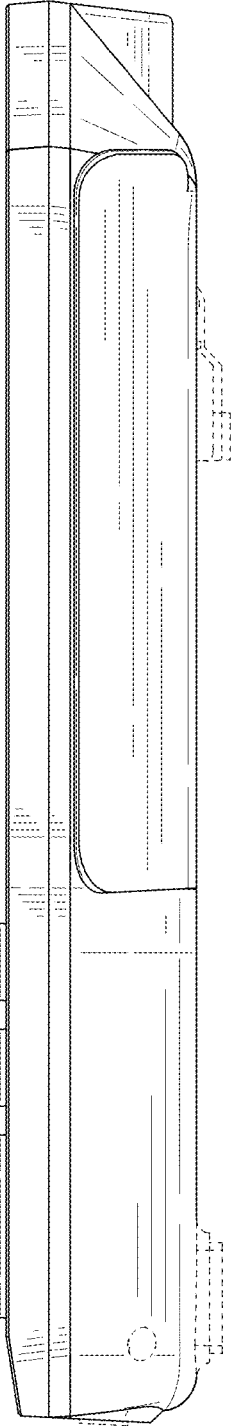


FIG. 6

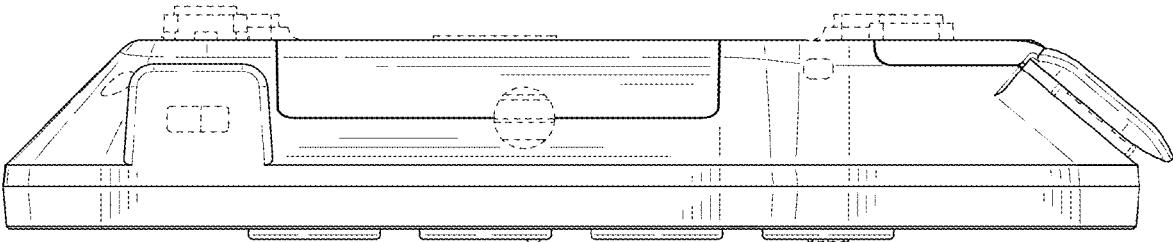


FIG. 7

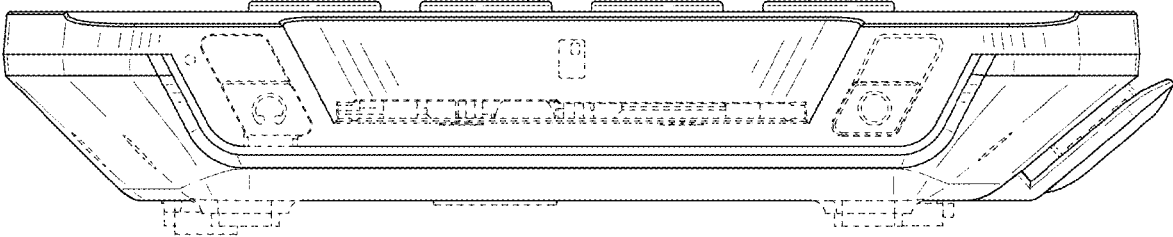


FIG. 8

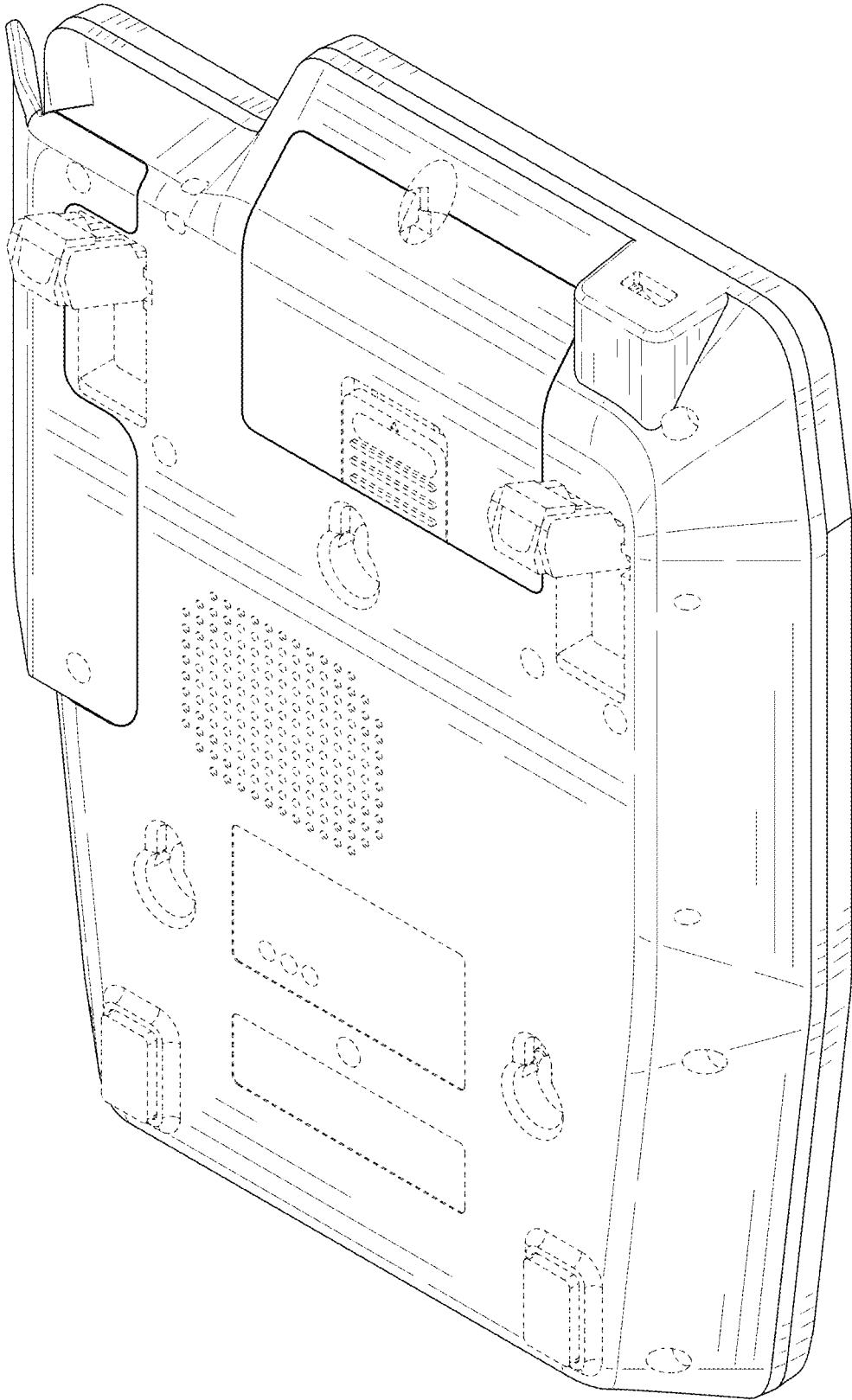


FIG. 9