



US0D1082012S

(12) **United States Design Patent**  
**Dijkstra**

(10) **Patent No.:** **US D1,082,012 S**

(45) **Date of Patent:** **\*\* Jul. 1, 2025**

(54) **THERAPY DEVICE BASE STAND**

(71) Applicant: **SHENZHEN KAIYAN MEDICAL EQUIPMENT CO., LTD**, Shenzhen (CN)

(72) Inventor: **Alain Dijkstra**, Amstelveen (NL)

(\*\*) Term: **15 Years**

(21) Appl. No.: **29/871,217**

(22) Filed: **Feb. 15, 2023**

(51) **LOC (15) Cl.** ..... **24-01**

(52) **U.S. Cl.**

USPC ..... **D24/209**

(58) **Field of Classification Search**

USPC ..... D24/185, 186, 200, 209, 210, 214;  
D26/51, 60, 93, 104, 106, 142; D6/310,  
D6/332

CPC ..... A61N 5/0616; A61N 5/0618; A61N  
2005/0644; A61N 2005/0636; A61N  
2005/0626

See application file for complete search history.

(56) **References Cited**

**U.S. PATENT DOCUMENTS**

D253,465 S *	11/1979	Lobdell	.....	D34/23
D268,847 S *	5/1983	Hollister, Sr.	.....	D6/310
D287,365 S *	12/1986	Judd	.....	D14/447
D318,707 S *	7/1991	Barrow	.....	D8/373
D574,573 S *	8/2008	Golias, Jr.	.....	D34/38
D599,915 S *	9/2009	Godwin	.....	E04H 12/2261 D25/133

D700,614 S 3/2014 Hamblet  
(Continued)

**FOREIGN PATENT DOCUMENTS**

CA 228168 \* 12/2024

**OTHER PUBLICATIONS**

Mito Light, Online, Published date unknown, Retrieved on Mar. 28, 2025 from URL: [https://www.richsport.cz/p/stojan-mito-light-r-mitohacker-floor-stand-4-0.\\*](https://www.richsport.cz/p/stojan-mito-light-r-mitohacker-floor-stand-4-0.*)

*Primary Examiner* — Justin C Dodson

*Assistant Examiner* — Eric Eldone Tormanen

(74) *Attorney, Agent, or Firm* — Willie Jacques; Emanus LLC

(57) **CLAIM**

The ornamental design for a therapy device base stand, as shown and described.

**DESCRIPTION**

FIG. 1 illustrates a front perspective view of a therapy device base stand;

FIG. 2 illustrates a bottom perspective view of the therapy device base stand thereof;

FIG. 3 illustrates a front view of the therapy device base stand thereof;

FIG. 4 illustrates a back view of the therapy device base stand thereof;

FIG. 5 illustrates a left side view of the therapy device base stand thereof;

FIG. 6 illustrates a right side view of the therapy device base stand thereof;

FIG. 7 illustrates a top view of the therapy device base stand thereof;

FIG. 8 illustrates a bottom view of the therapy device base stand thereof;

FIG. 9 illustrates a front perspective view in folded position of the therapy device base stand thereof;

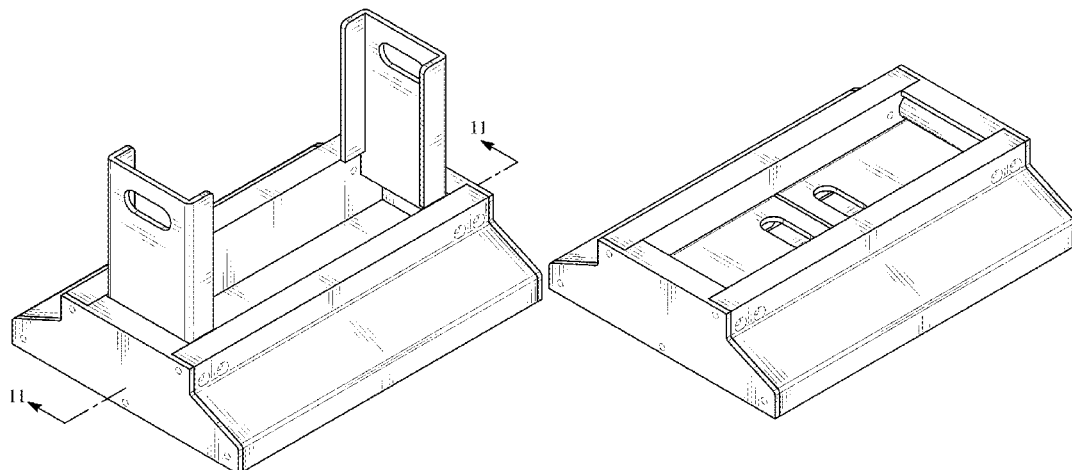
FIG. 10 illustrates a top view in folded position of the therapy device base stand thereof;

FIG. 11 illustrates a cross sectional view along line 11-11 of FIG. 1; and,

FIG. 12 illustrates a cross sectional view along line 12-12 of FIG. 10.

The broken lines in the drawings depict portions of the therapy device base stand that form no part of the claimed design.

**1 Claim, 11 Drawing Sheets**



(56)

**References Cited**

U.S. PATENT DOCUMENTS

D761,470	S	*	7/2016	Fizer	.....	D26/51
D847,800	S	*	5/2019	Wengreen	.....	D14/251
D916,328	S	*	4/2021	Gonzales	.....	D25/126
D917,762	S	*	4/2021	Zhou	.....	D26/76
D933,459	S	*	10/2021	Lyu	.....	D14/239
D942,461	S		2/2022	Chen		
D963,873	S	*	9/2022	Pfiffner	.....	D24/210
D985,576	S	*	5/2023	Harris	.....	D14/452
D1,010,500	S	*	1/2024	Redd	.....	D11/181
D1,015,612	S	*	2/2024	Zou	.....	D26/102
D1,025,904	S	*	5/2024	Gao	.....	D26/38
D1,054,068	S	*	12/2024	Onishenko	.....	D25/133
D1,059,665	S	*	1/2025	Huang	.....	D26/93
D1,060,697	S	*	2/2025	Smith	.....	D24/210
D1,064,304	S	*	2/2025	Chaverri	.....	D24/209

\* cited by examiner

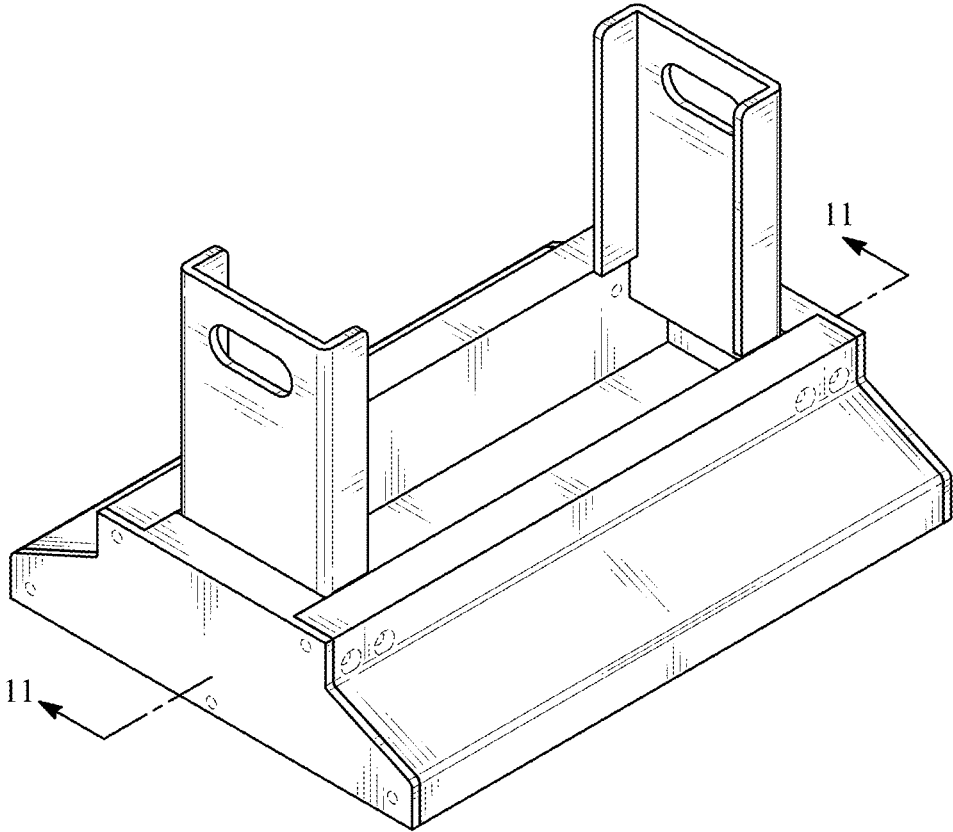


FIG. 1

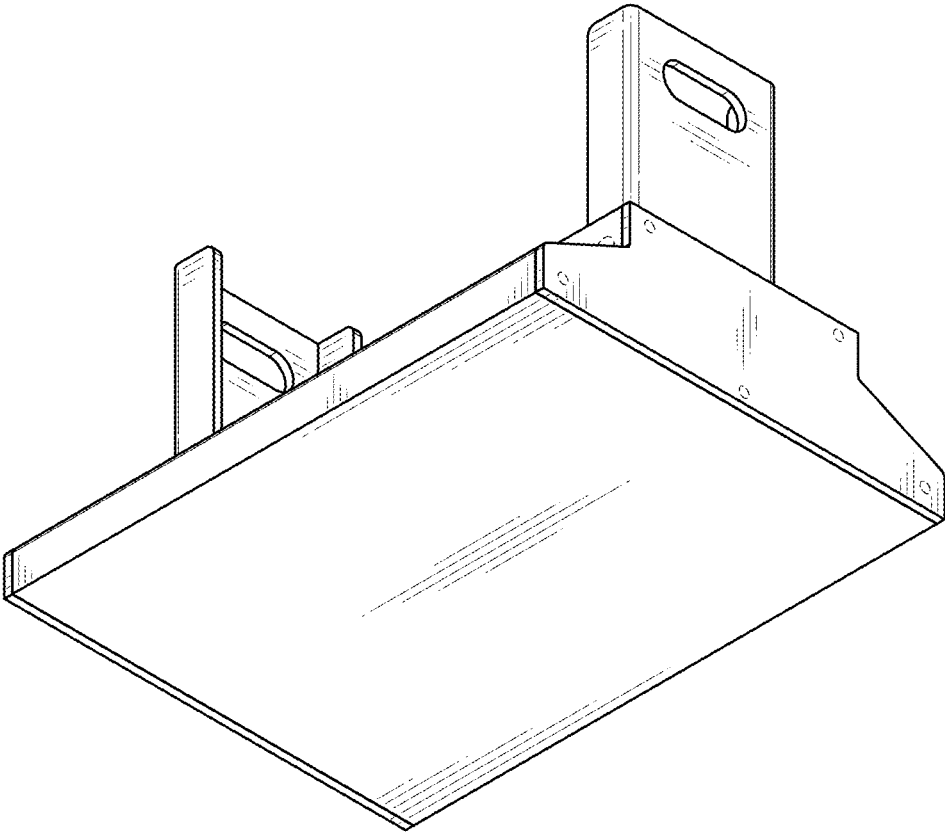


FIG. 2



FIG. 3



FIG. 4

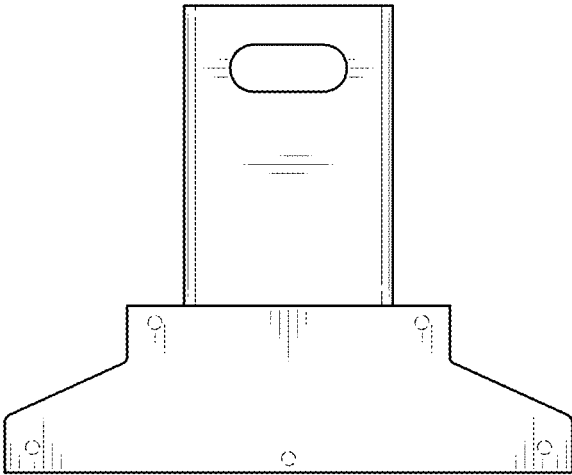


FIG. 5

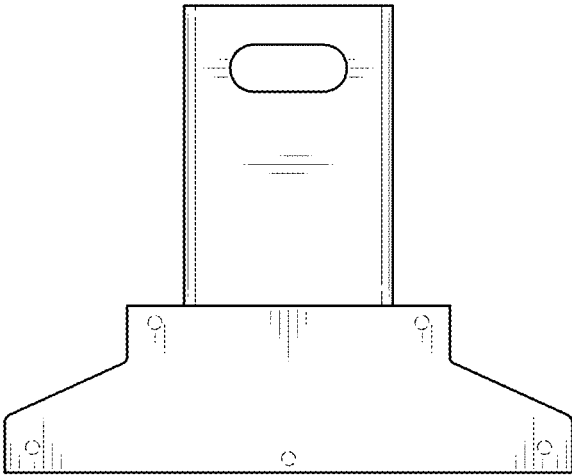


FIG. 6

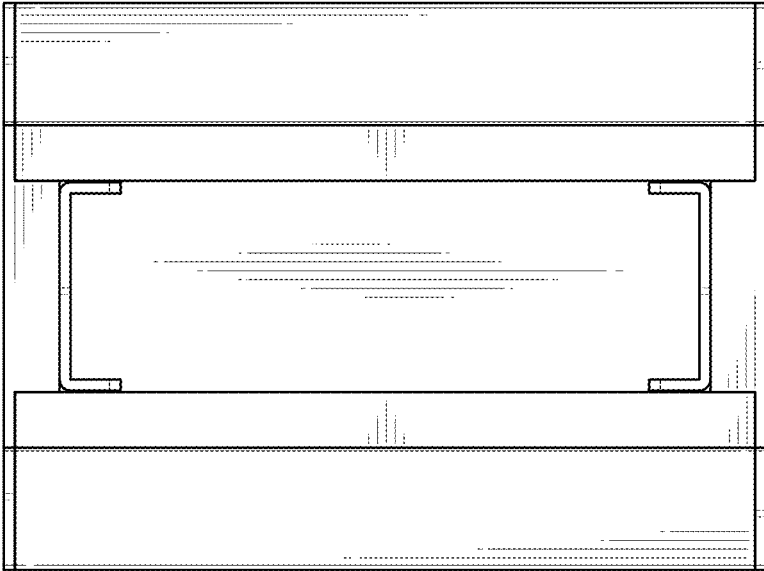


FIG. 7

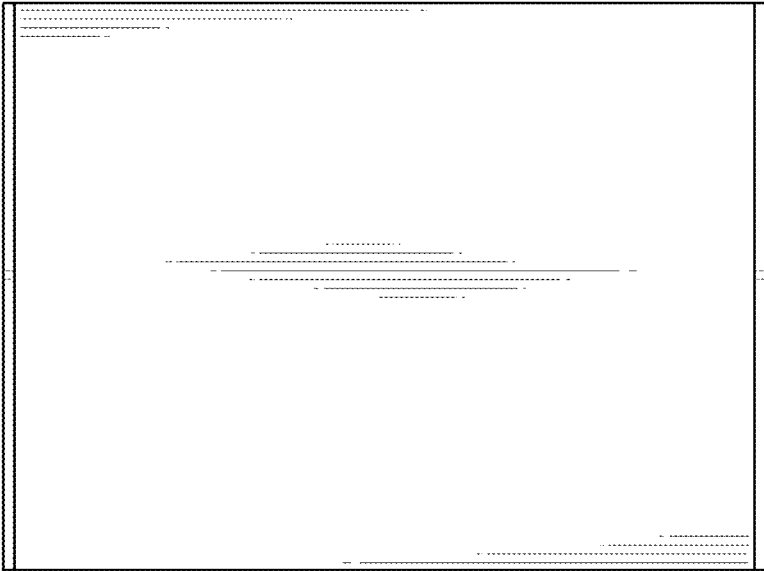


FIG. 8

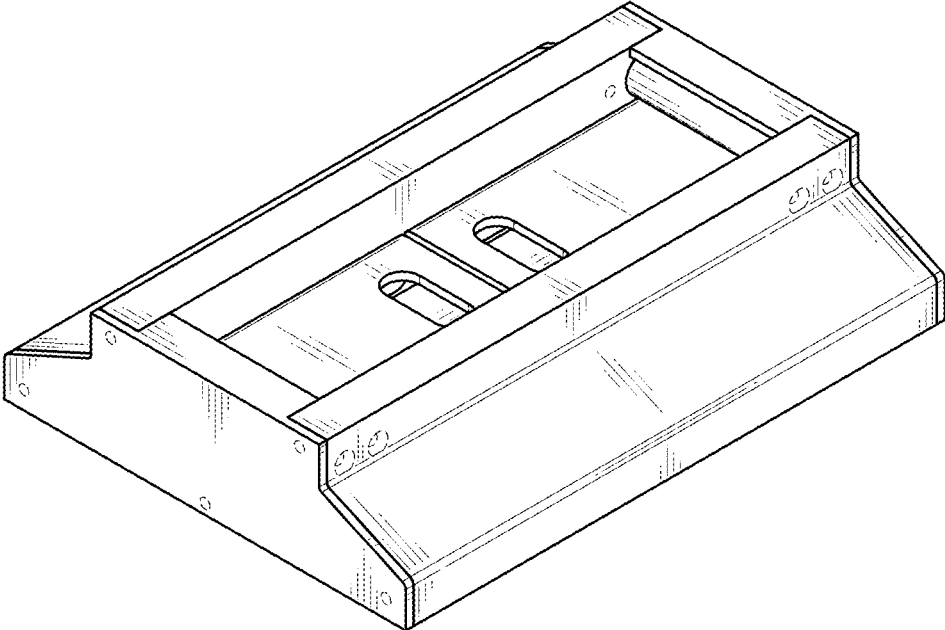


FIG. 9

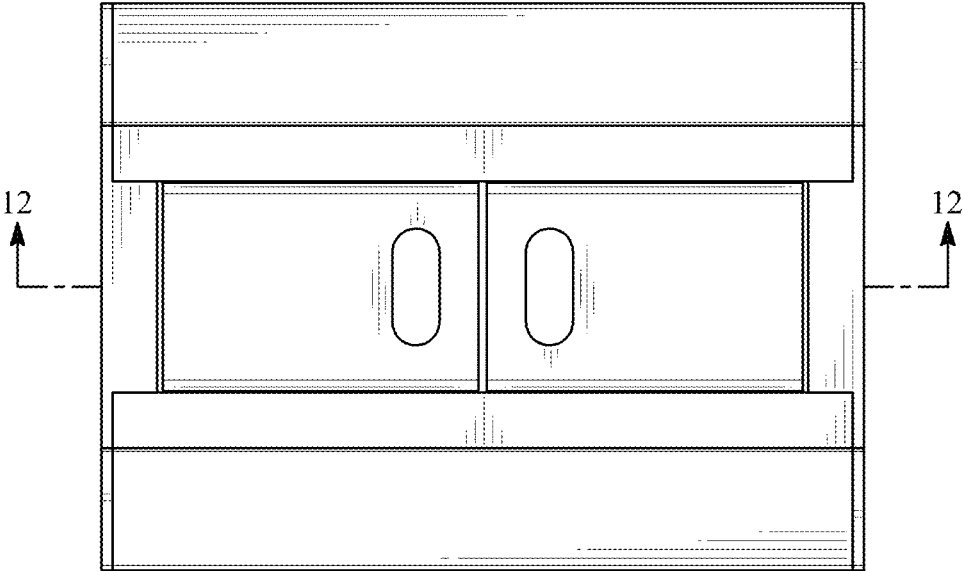


FIG. 10

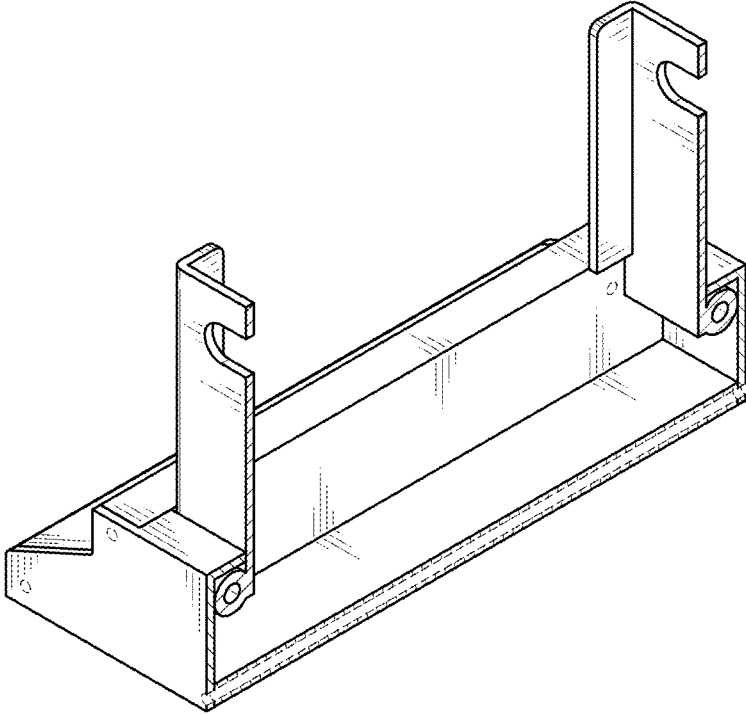


FIG. 11

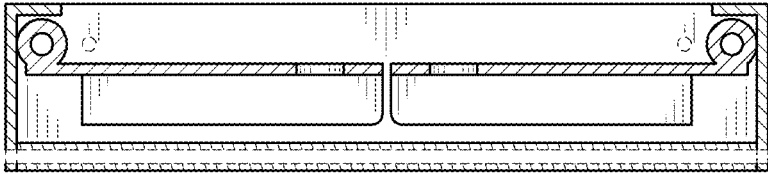


FIG. 12