



US00D676813S

(12) **United States Design Patent**
Wiest et al.

(10) **Patent No.:** **US D676,813 S**

(45) **Date of Patent:** **** Feb. 26, 2013**

(54) **ELECTRICAL CONNECTOR FOR POWER CABLE**

(75) Inventors: **Shane Wiest**, Shermans Dale, PA (US);
Gottlieb Oyster, Hummelstown, PA (US); **Kevin Walker**, Hershey, PA (US);
John P. Huss, Jr., Harrisburg, PA (US);
Arndt Schafmeister, Dörentrup (DE);
Sebastian Schafer, Blomberg (DE)

(73) Assignee: **Phoenix Contact Development & Manufacturing, Inc.**, Middletown, PA (US)

(**) Term: **14 Years**

(21) Appl. No.: **29/408,350**

(22) Filed: **Dec. 12, 2011**

(51) **LOC (9) Cl.** **13-03**

(52) **U.S. Cl.** **D13/151**

(58) **Field of Classification Search** D13/151,
D13/133, 146, 147, 148, 150, 154, 158, 173,
D13/184, 199; D14/125, 217, 239, 299;
174/50.52, 51, 59, 60, 61, 62, 63, 64, 528;
333/100, 101, 206; 439/55, 63, 578, 579,
439/580

See application file for complete search history.

(56) **References Cited**

U.S. PATENT DOCUMENTS

D301,240 S *	5/1989	Chino	D14/217
D408,364 S *	4/1999	Hsiang	D13/151
D452,850 S *	1/2002	Inoue	D13/151
6,939,183 B2 *	9/2005	Ferretti et al.	439/798
7,081,000 B1 *	7/2006	Senigla	439/306
D546,291 S *	7/2007	Shapson	D13/151
D546,292 S *	7/2007	Shapson	D13/151
2006/0035532 A1 *	2/2006	Lu	439/709

* cited by examiner

Primary Examiner — Derrick Holland

(74) *Attorney, Agent, or Firm* — Hooker & Habib, P.C.

(57) **CLAIM**

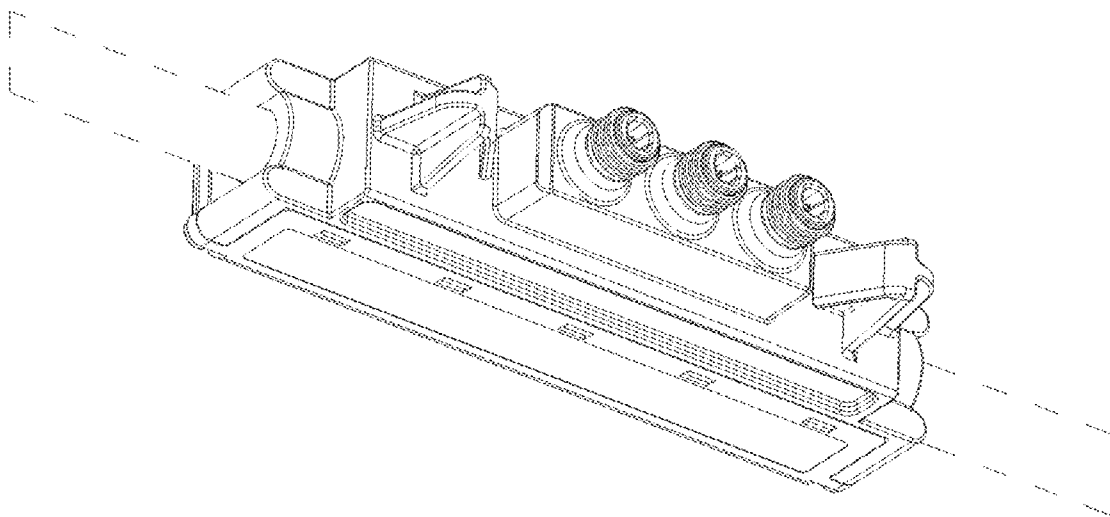
The ornamental design of an electrical connector for power cable, as shown and described.

DESCRIPTION

FIG. 1 is a right perspective view of an electrical connector for power cable showing our new design;
FIG. 2 is a right side elevation view thereof;
FIG. 3 is a left side elevation view thereof;
FIG. 4 is a top plan view thereof;
FIG. 5 is a bottom plan view thereof; and,
FIG. 6 is an end elevation view thereof.

The broken line portions of the figure drawings are included to show unclaimed subject matter only and form no part of the claimed design.

1 Claim, 3 Drawing Sheets



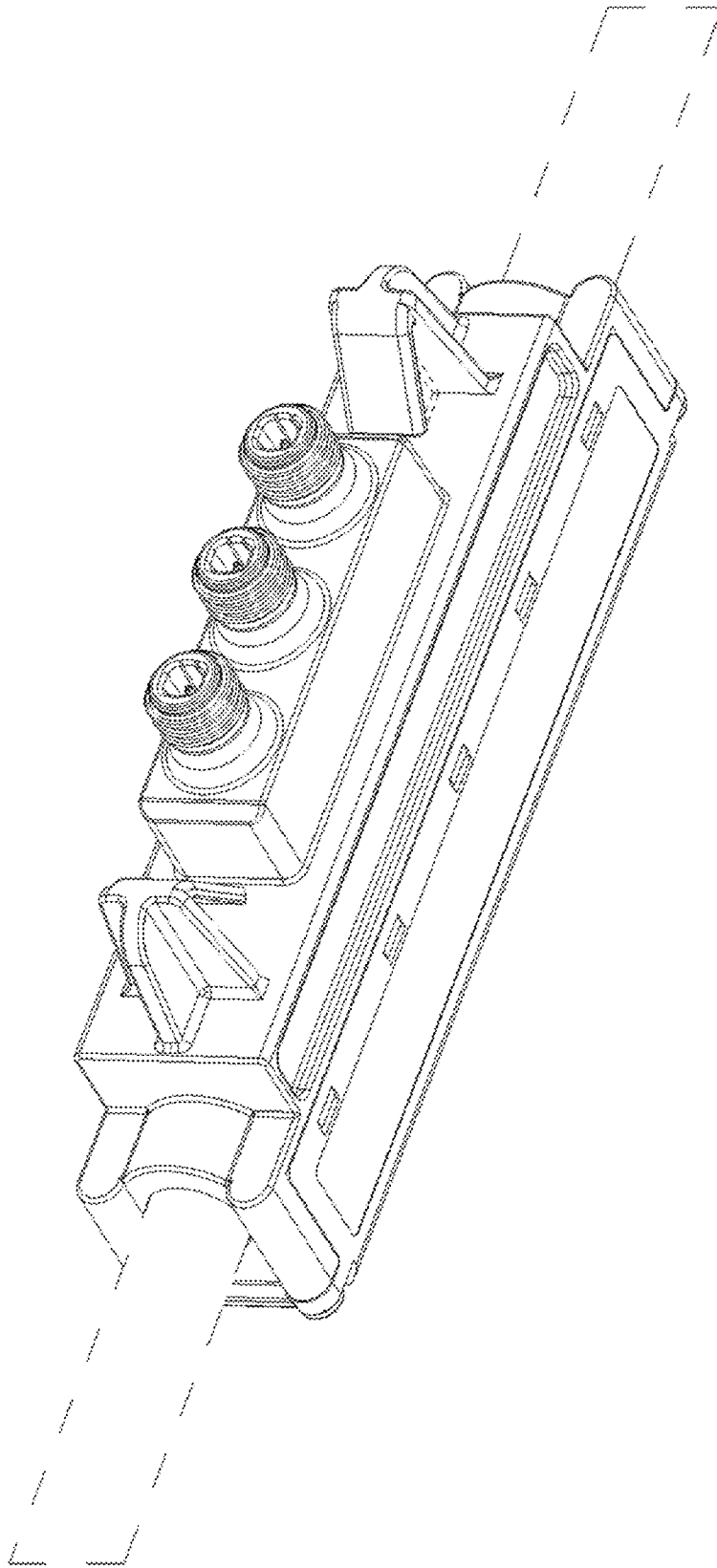


Fig. 1

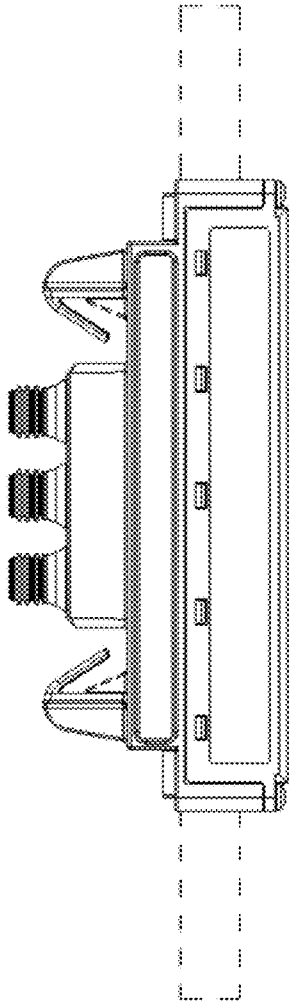


Fig. 2



Fig. 5

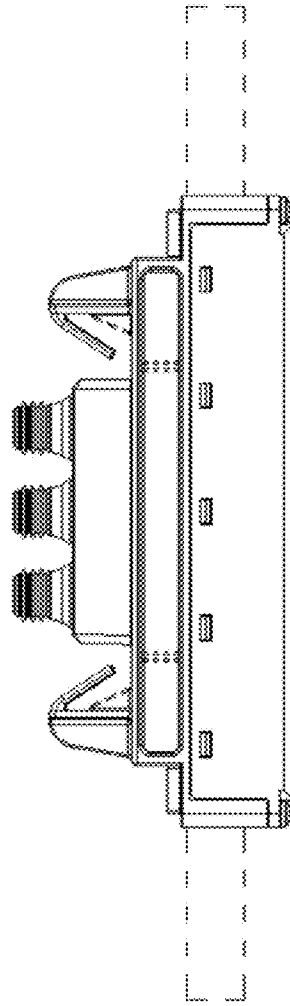


Fig. 3

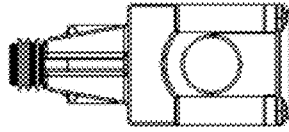


Fig. 6

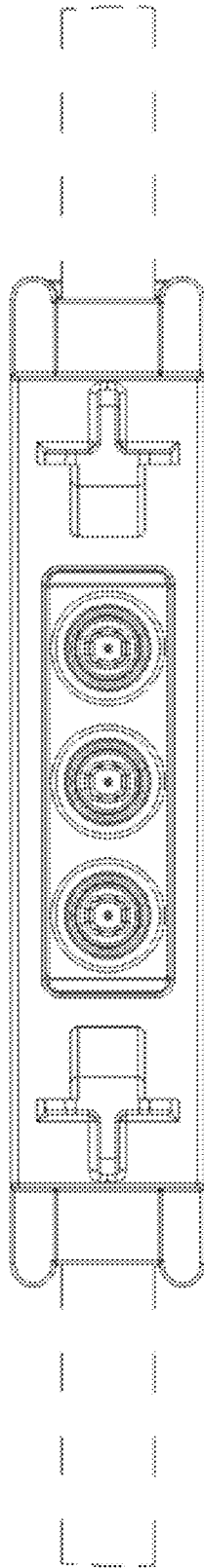


Fig. 4