



US00D548385S

(12) **United States Design Patent**
Sharrah et al.

(10) **Patent No.:** **US D548,385 S**

(45) **Date of Patent:** **** Aug. 7, 2007**

(54) **MOUNTABLE LIGHT**

(75) Inventors: **Raymond L. Sharrah**, Collegetown
Borough, PA (US); **John C. DiNenna**,
Norristown, PA (US)

(73) Assignee: **Streamlight, Inc.**, Eagleville, PA (US)

(**) Term: **14 Years**

(21) Appl. No.: **29/267,886**

(22) Filed: **Oct. 24, 2006**

Related U.S. Application Data

(63) Continuation of application No. 11/268,787, filed on Nov. 8,
2005.

(51) **LOC (8) CL.** **26-05**

(52) **U.S. CL.** **D26/60; D26/51**

(58) **Field of Classification Search** D26/37,
D26/43, 44, 60-63, 65, 39, 51; 362/98, 99,
362/109-114, 191, 197, 198, 287, 427, 396;
D22/108-110

See application file for complete search history.

(56) **References Cited**

U.S. PATENT DOCUMENTS

2,546,242 A *	3/1951	Stinson	42/146
2,597,565 A	5/1952	Chandler et al.		
2,601,613 A	6/1952	Jahncke		
3,153,856 A	10/1964	Felix		
3,488,488 A	5/1970	Slater		
3,513,581 A	5/1970	Slater		
3,877,166 A	4/1975	Ward		
4,580,362 A	4/1986	Stevens		
4,697,226 A	9/1987	Verdin		
4,856,218 A	8/1989	Reynolds, Jr.		
4,939,863 A *	7/1990	Alexander et al.	362/110
5,180,220 A	1/1993	Van Kalsbeek		
5,400,540 A	3/1995	Solinsky et al.		
5,430,967 A	7/1995	Woodman, III et al.		
5,584,137 A	12/1996	Teetzel		
5,628,555 A	5/1997	Sharrah et al.		
5,685,105 A *	11/1997	Teetzel	362/114

5,816,683 A	10/1998	Christiansen		
5,913,669 A	6/1999	Hansen et al.		
6,073,901 A	6/2000	Richter		
6,115,952 A	9/2000	Rigler		
6,185,854 B1 *	2/2001	Solinsky et al.	362/110
6,276,088 B1	8/2001	Mathews		

(Continued)

OTHER PUBLICATIONS

Streamlight, Inc., "X-Series Specifications", http://www.streamlight.com/x-series_specs.htm, Printed Oct. 28, 2004, 2 pages.

(Continued)

Primary Examiner—Clare E Heflin

(74) *Attorney, Agent, or Firm*—Clement A. Berard; Dann, Dorfman, Herrell & Skillman

(57) **CLAIM**

The ornamental design for a mountable light, substantially as shown and described.

DESCRIPTION

FIG. 1 is an isometric view of the ornamental design for a mountable light;

FIG. 2 is an opposite isometric view of the ornamental design shown in FIG. 1;

FIG. 3 is a side view of a first side of the ornamental design shown in FIGS. 1-2;

FIG. 4 is a side view of a second side of the ornamental design shown in FIGS. 1-3;

FIG. 5 is a side view of a third side of the ornamental design shown in FIGS. 1-4;

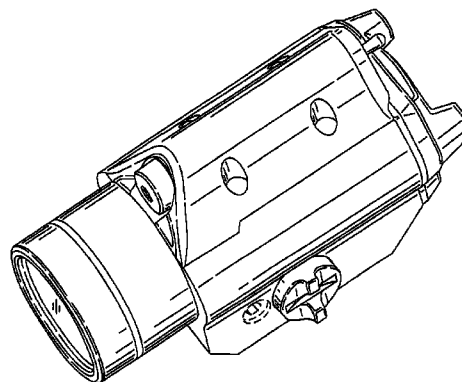
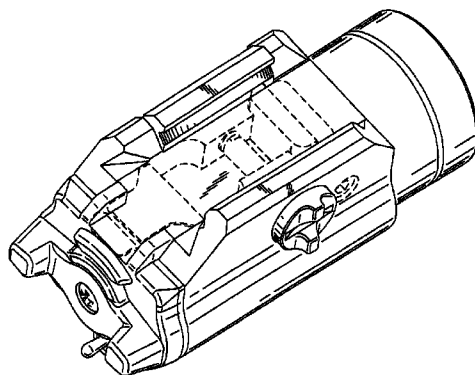
FIG. 6 is an end view of a fourth side of the ornamental design shown in FIGS. 1-5;

FIG. 7 is an end view of a first end of the ornamental design shown in FIGS. 1-6; and,

FIG. 8 is an end view of a second end of the ornamental design shown in FIGS. 1-7.

Broken lines in the illustrations of the FIGURES of the drawing indicate parts of the article that are not part of the design claimed therein.

1 Claim, 4 Drawing Sheets



U.S. PATENT DOCUMENTS

6,378,237	B1	4/2002	Matthews	
6,574,901	B1 *	6/2003	Solinsky et al.	362/110
6,612,714	B1	9/2003	Morre et al.	
7,117,624	B2 *	10/2006	Kim	362/110
2003/0007355	A1	1/2003	Leen	
2004/0068913	A1	4/2004	Solinsky et al.	
2004/0169119	A1	9/2004	Crowell et al.	

OTHER PUBLICATIONS

Streamlight, Inc., "Tactical Gun Mount Series -TLR-1", <http://www.streamlight.com/product/product.aspx?pid=80>, Printed Sep. 18, 2006, 1 Page.

Streamlight, Inc., "Tactical Gun Mount Series -TLR-2 With Laser Sight", <http://www.streamlight.com/product/product.aspx?pid=81>, Printed Sep. 18, 2006, 1 Page.

First Samco, "Tactical Light Holder," First Samco Tactical Accessories for AR15 & M/16, <http://www.firstsamco.com/catalog/productdetail.php?ID=4>, Printed Nov. 4, 2004, 1 Page.

First Samco, "Images for Tactical Light Holder," First Samco Tactical Accessories for AR15 & M/16, <http://www.firstsamco.com/catalog/moreimages.php?ID=4>, Printed Nov. 4, 2004, 1Pg.

Insight Technology, Inc., M2 UTL Universal Tactical Light (with Photos), ©2004, <http://www.insightlights.com/products/showProduct.asp?id=1>, Printed Nov. 8, 2005, 4 Pgs.

Insight Technology, Inc., "M3X Tactical Illuminator," © 2004, <http://www.insightlights.com/products/showProducts.asp?id=6>, Printed Oct. 28, 2004, 2 Pages.

Insight Technology, Inc., "M6 Tactical Illuminator (with Photos)," © 2004, <http://www.insightlights.com/products/showProduct.asp?id=9>, Printed Oct. 28, 2004, 4 Pages.

Insight Technology, Inc., "M6X Tactical Illuminator (with Photos)," © 2004 <http://www.insightlights.com/products/showProduct.asp?id=11>, Printed Oct. 28, 2004, 6 Pgs.

Insight Technology, Inc., "XML X-treme Mini Light", © 2004, <http://www.insightlights.com/products/showProduct.asp?id=2>, Printed Oct. 28, 2004, 1 Page.

Insight Technology, Inc., "Tactical Lights by Insight Technology Inc. (UTL, M3, LAM) -Products by Product Index", © 2001, <http://www.insightlights.com/oldsite/prodbyproducts.htm>, Printed Sep. 18, 2006, 1 Page.

Insight Technology, Inc., "Tactical Lights by Insight Technology Inc. (UTL, M3, LAM) -The M3 Tactical Light", © 2001, http://www.insightlights.com/oldsite/prod_m3.htm, Printed Sep. 18, 2006, 1 Page.

Insight Technology, Inc., "Tactical Lights by Insight Technology Inc. (UTL, M3, LAM) -M3 Photo Gallery", © 2001, http://www.insightlights.com/oldsite/gallery_m3.htm, Printed Sep. 18, 2006, 1 Page.

Insight Technology, Inc., "Tactical Lights by Insight Technology Inc. (UTL, M3, LAM) -The M3-LED Tactical Illuminator", © 2001, http://www.insightlights.com/oldsite/prod_m3led.htm, Printed Sep. 18, 2006, 2 Pages.

Insight Technology, Inc., "Tactical Lights by Insight Technology Inc. (UTL, M3, LAM) -M3-LED Photo Gallery", © 2001, http://www.insightlights.com/oldsite/gallery_m3led.htm, Printed Sep. 18, 2006, 1 Page.

Insight Technology, Inc., "Tactical Lights by Insight Technology Inc. (UTL, M3, LAM) -The M4 and M4-Pro Tactical Light", © 2001, http://www.insightlights.com/oldsite/prod_m4.htm, Printed Sep. 18, 2006, 1 Page.

Insight Technology, Inc., "Tactical Lights by Insight Technology Inc. (UTL, M3, LAM) -M4 & M4 Pro Photo Gallery", © 2001, http://www.insightlights.com/oldsite/gallery_m4.htm, Printed Sep. 18, 2006, 1 Page.

Insight Technology, Inc., "Tactical Lights by Insight Technology Inc. (UTL, M3, LAM) -The M5 Tactical Light", © 2001, http://www.insightlights.com/oldsite/prod_m5.htm, Printed Sep. 18, 2006, 1 Page.

Insight Technology, Inc., "Tactical Lights by Insight Technology Inc. (UTL, M3, LAM) -M5 Photo Gallery", © 2001, http://www.insightlights.com/oldsite/gallery_m5.htm, Printed Sep. 18, 2006, 1 Page.

Insight Technology, Inc., "Tactical Lights by Insight Technology Inc. (UTL, M3, LAM) -The M6 Tactical Laser Illuminator", © 2001, http://www.insightlights.com/oldsite/prod_m6.htm, Printed Sep. 18, 2006, 2 Pages.

Insight Technology, Inc., "Tactical Lights by Insight Technology Inc. (UTL, M3, LAM) -M6 Photo Gallery", © 2001, http://www.insightlights.com/oldsite/gallery_m6.htm, Printed Sep. 18, 2006, 1 Page.

Insight Technology, Inc., "Tactical Lights by Insight Technology Inc. (UTL, M3, LAM) -Laser Aiming Module (LAM)", © 2001, http://www.insightlights.com/oldsite/prod_lam.htm, Printed Sep. 18, 2006, 2 Pages.

Insight Technology, Inc., "Tactical Lights by Insight Technology Inc. (UTL, M3, LAM) LAM Photo Gallery", © 2001, http://www.insightlights.com/oldsite/gallery_lam.htm, Printed Sep. 18, 2006.

Insight Technology, Inc., "Tactical Lights by Insight Technology Inc. (UTL, M3, LAM) -Parts & Accessories Photo Gallery", © 2001, http://www.insightlights.com/oldsite/gallery_access.htm, Printed Sep. 18, 2006, 2 Pages.

SUREFIRE, "Laser Sights," Weapon mounted laser sights form SureFire, © 2001-2004, http://www.surefire.com/maxexp/main/co_disp/displ/pgfrnbr/364/sesent/00, Printed Oct. 28, 2004, 1 Page.

SUREFIRE, "Weapon Lights," Lights for weapons including handguns, shotguns, and rifles, © 2001-2004, http://www.surefire.com/maxexp/main/co_disp/displ/pgfrnbr/211/sesent/00, Printed Oct. 28, 2004, 1 Page.

SUREFIRE, "Handgun Weapon Lights," Handgun Tactical WeaponLights provided by SureFire, © 2001-2004, http://www.surefire.com/maxexp/main/co_disp/displ/carfnbr/91/sesent/00, Printed Oct. 28, 2004, 2 Pages.

SUREFIRE, "Products," X200 WeaponLight -X200 available from SureFire, © 2001-2004, http://www.surefire.com/maxexp/main.pl?pgm-co_disp&func-displ&strfnbr?6&prfnbr=1110&, Printed Oct. 28, 2004, 2 Pages.

SUREFIRE, "SureFire Integrated Shotgun WeaponLights," Shotgun WeaponLights provided by SureFire, © 2001-2004, http://www.surefire.com/maxexp/main/co_disp/displ/carfnbr/92/sesent/00, Printed Oct. 28, 2004, 1 Page.

SUREFIRE, "Rifle, Carbine & SMG Light Systems," Rifle, Carbine & SMG WeaponLights Systems provided by SureFire, © 2001-2004, http://www.surefire.com/maxexp/main/co_disp/displ/carfnbr/93/sesent/00, Printed Oct. 28, 2004, 1 Page.

SUREFIRE, "Rifle, Carbine & SMG Light Systems," Millennium Forends provided by SureFire, © 2001-2004, http://www.surefire.com/maxexp/main/co_disp/displ/carfnbr/265/sesent/00, Printed Oct. 28, 2004, 1 Page.

SUREFIRE, "Rifle, Carbine & SMG Light Systems," Millennium Universal WeaponLights provided by SureFire, © 2001–2004, http://www.surefire.com/maxexp/main/co_disp/displ/carfnbr/267/sesent/00, Printed Oct. 28, 2004, 1 Page.

SUREFIRE, "Rifle, Carbine & SMG Light Systems," Millennium Vertical Foregrip System provided by SureFire, © 2001–2004, http://www.surefire.com/maxexp/main/co_disp/displ/carfnbr/266/sesent/00, Printed Oct. 28, 2004, 1 Page.

SUREFIRE, "Rifle, Carbine & SMG Light Systems," Classic Series WeaponLights provided by SureFire, © 2001–2004, http://www.surefire.com/maxexp/main/co_disp/displ/carfnbr/271/sesent/00, Printed Oct. 28, 2004, 1 Page.

SUREFIRE, "Weapon Mounts," SureFire Weapon Mounts, © 2001–2004, http://www.surefire.com/maxexp/main/co_disp/displ/pgrfnbr/378/sesent/00, Printed Oct. 28, 2004, 1 Page.

SUREFIRE, "Products Weapon Mounts," Picatinny forends provided by SureFire, © 2001–2004, http://www.surefire.com/maxexp/main/co_disp/displ/carfnbr/312/sesent/00, Printed Oct. 28, 2004, 1 Page.

SUREFIRE, "Products Weapon Mounts," S.I.R. System C (Selective Integrated Rail) –M61 available from SureFire, © 2001–2004, http://www.surefire.com/maxexp/main/co_disp/displ/prfnbr/824/sesent/00, Printed Oct. 28, 2004, 1 Page.

* cited by examiner

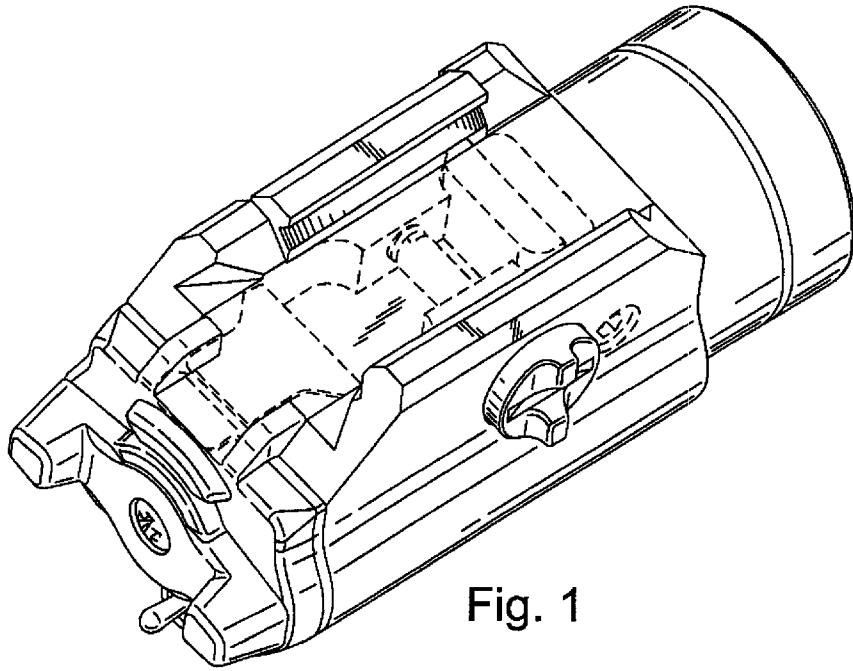


Fig. 1

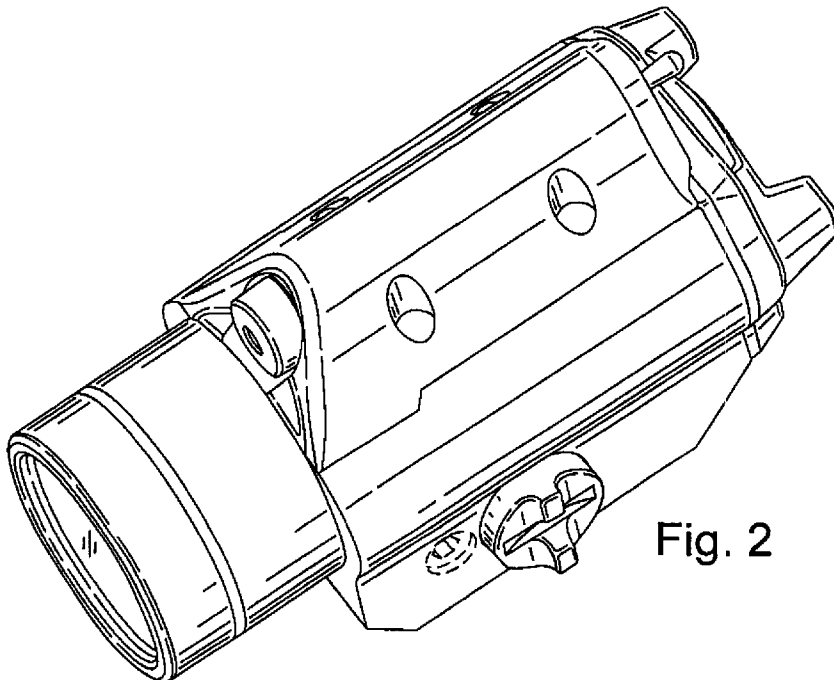


Fig. 2

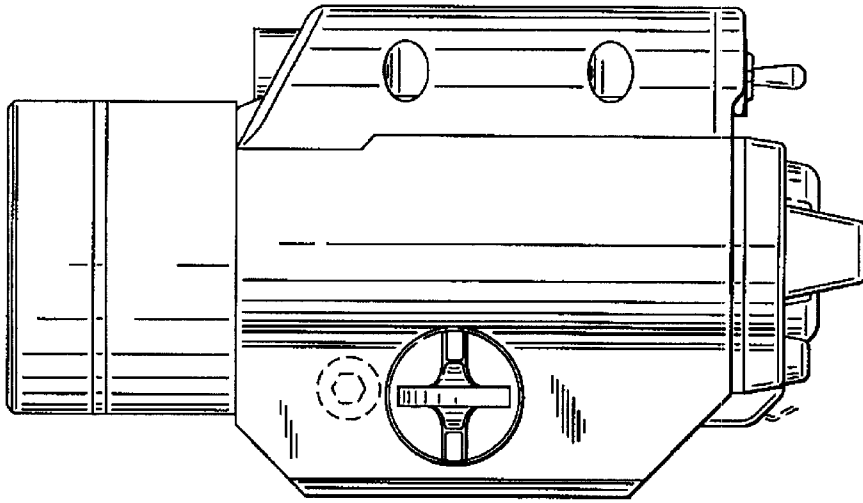


Fig. 3

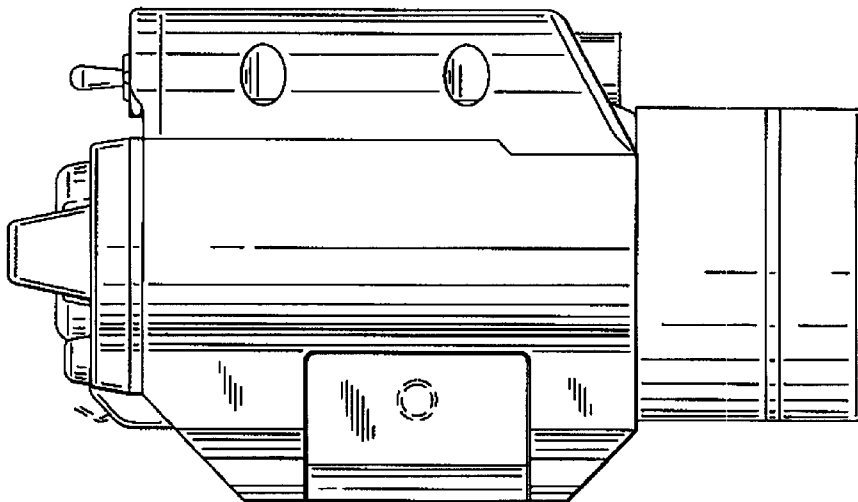


Fig. 4

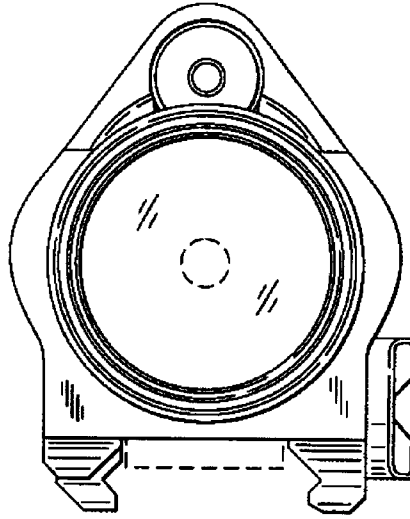


Fig. 5

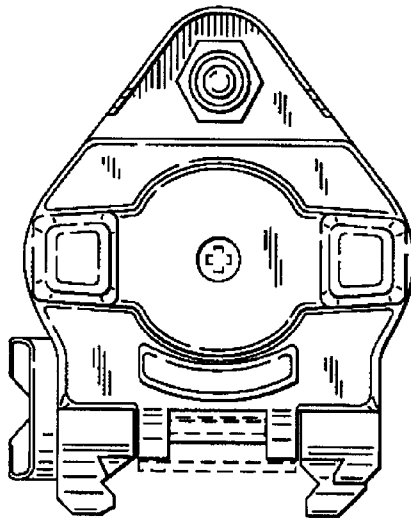


Fig. 6

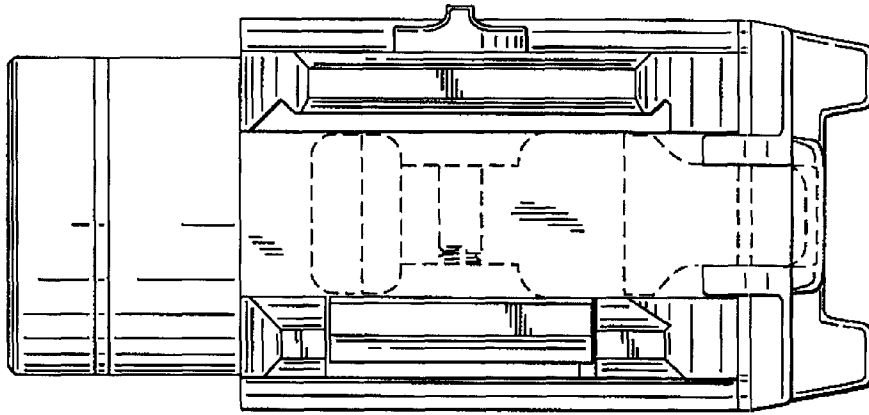


Fig. 7

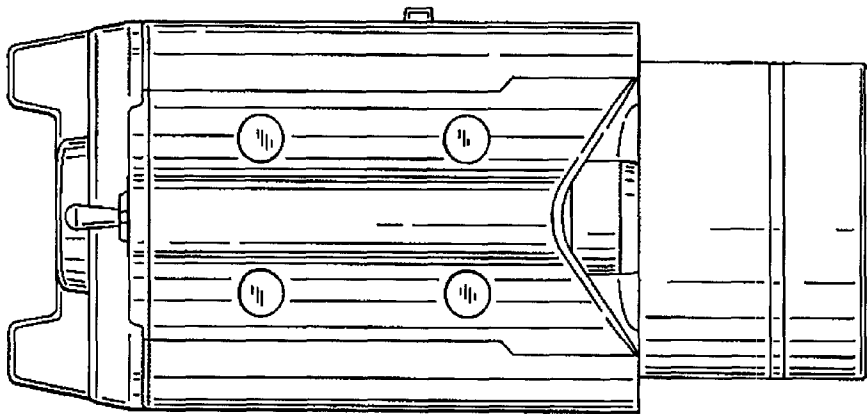


Fig. 8