



US00D856588S

(12) **United States Design Patent** (10) **Patent No.:** **US D856,588 S**
French-Artis (45) **Date of Patent:** **** Aug. 13, 2019**

(54) **COSMETIC CONTAINER**

- (71) Applicant: **Traska French-Artis**, Oklahoma City, OK (US)
- (72) Inventor: **Traska French-Artis**, Oklahoma City, OK (US)
- (73) Assignee: **Traska French-Artis**, Oklahoma City, OK (US)
- (**) Term: **15 Years**

- (21) Appl. No.: **29/593,580**
- (22) Filed: **Feb. 9, 2017**
- (51) **LOC (12) Cl.** **28-03**
- (52) **U.S. Cl.**
USPC **D28/76**
- (58) **Field of Classification Search**
USPC D28/4, 7, 8, 99, 73, 76-78, 85; D19/101, D19/115, 116, 117, 118, 119, 120, 121, D19/122, 123, 124, 125-180, 192; D9/723-729, 695, 696, 503, 504
CPC A45D 2200/1072; A45D 2200/10; A45D 2200/1018; A45D 2200/1027; A45D 2200/1036; A45D 2200/1045
See application file for complete search history.

(56) **References Cited**

U.S. PATENT DOCUMENTS

D262,768 S *	1/1982	Bovet	D28/85
4,371,278 A *	2/1983	Joo	G10D 7/06 401/195
D268,935 S *	5/1983	Horntrich	D19/164
D271,337 S *	11/1983	Holloway	D28/85
D443,104 S *	5/2001	Coates	D28/7
D639,337 S *	6/2011	Hung	D19/117

(Continued)

FOREIGN PATENT DOCUMENTS

CN 203538634 U 4/2014

OTHER PUBLICATIONS

Natto Soup Blogspot, Art Marker Showdown: Copic Sketch vs. Pantone Universe Twin Markers, posted Dec. 19, 2013, [online], [site visited Sep. 19, 2018]. Available from Internet, <URL: https://nattosoup.blogspot.com/2013/03/art-marker-showdown-copic-sketch-vs.html> (Year: 2013).*

Primary Examiner — Sheryl Lane
Assistant Examiner — Samantha N Wood
(74) *Attorney, Agent, or Firm* — Loza & Loza LLP

(57) **CLAIM**

The ornamental design for a cosmetic container, as shown and described.

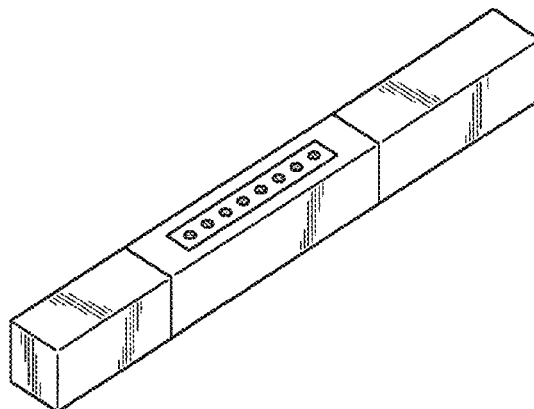
DESCRIPTION

FIG. 1 is a front top left perspective of a cosmetic container of a first embodiment the present invention; FIG. 2 is a front top left perspective of the cosmetic container of FIG. 1 with a cap removed; FIG. 3 is a first side elevation view of the cosmetic container of FIG. 1; FIG. 4 is a second side elevation view of the cosmetic container of FIG. 1; FIG. 5 is a top plan view of the cosmetic container of FIG. 1; FIG. 6 is a bottom plan view of the cosmetic container of FIG. 1; FIG. 7 is a front top left perspective of a cosmetic container of a second embodiment of the present invention; and, FIG. 8 is a front top left perspective of the cosmetic container of FIG. 7 with a cap removed.

The second embodiment of the design differs from the first embodiment only in the number of lights extending along a side.

The broken lines are included for the purpose of illustrating portions of the cosmetic container and form no part of the claimed design.

1 Claim, 3 Drawing Sheets



(56)

References Cited

U.S. PATENT DOCUMENTS

D744,697 S * 12/2015 Chertoff D28/76
9,439,498 B1 * 9/2016 Eversley A45D 40/26
D790,135 S * 6/2017 Macaluso D28/85
2009/0320316 A1 12/2009 Zakai
2014/0042341 A1 2/2014 Park et al.
2016/0220006 A1 8/2016 Le et al.

* cited by examiner

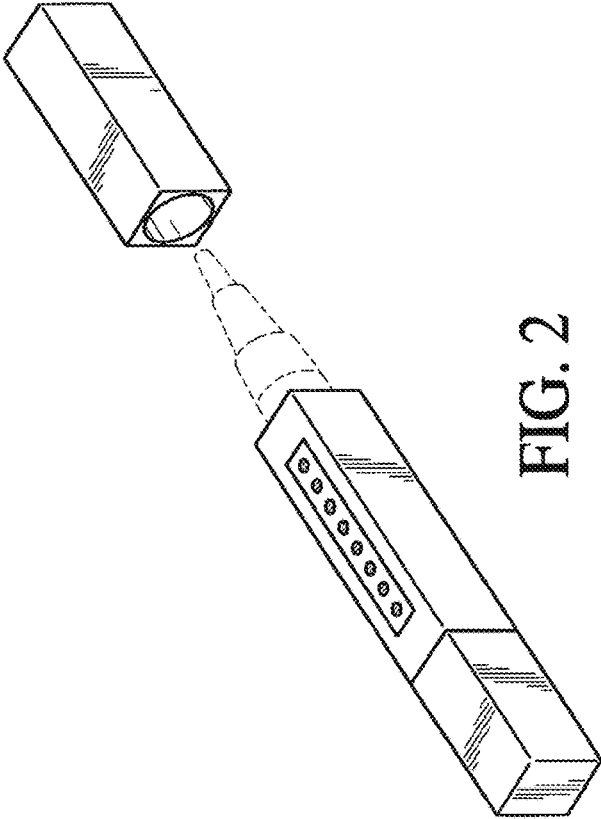


FIG. 2

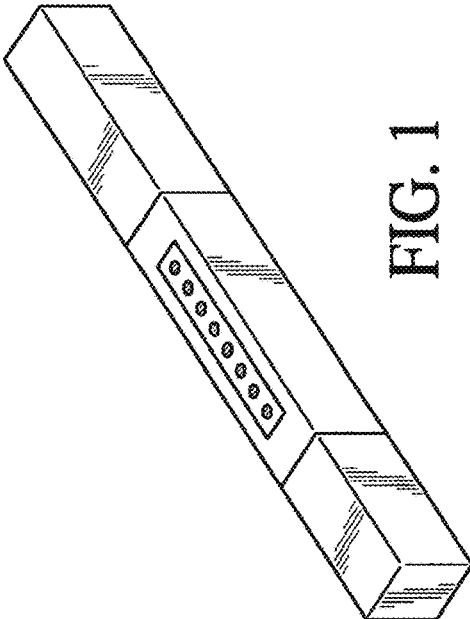


FIG. 1



FIG. 3



FIG. 4



FIG. 5

FIG. 6

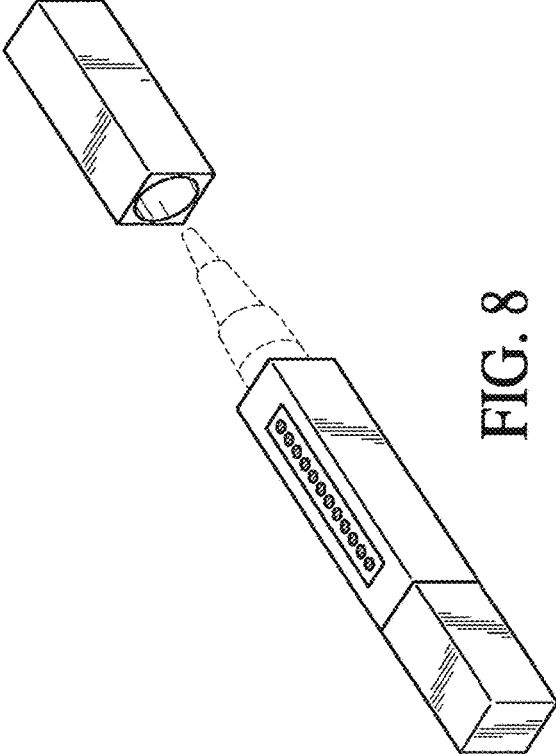


FIG. 8

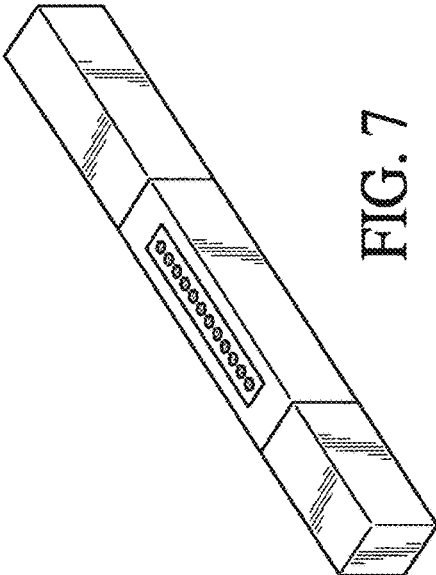


FIG. 7