



US00D403033S

United States Patent [19]

[11] Patent Number: **Des. 403,033**

Husted et al.

[45] Date of Patent: ****Dec. 22, 1998**

[54] STRIDING DEVICE

[75] Inventors: **Royce H. Husted**, R.R. 4, Box 550, Forest, Va. 24551; **Joel P Husted**, Forest, Va.

[73] Assignee: **Royce H. Husted**, Forest, Va.

[**] Term: **14 Years**

[21] Appl. No.: **81,583**

[22] Filed: **Dec. 9, 1997**

[51] LOC (6) Cl. **21-02**

[52] U.S. Cl. **D21/668**

[58] Field of Search D21/191, 192, D21/193, 194, 195; 482/51, 52, 70, 71, 53, 72

[56] **References Cited**

U.S. PATENT DOCUMENTS

- D. 378,841 4/1997 Huang D21/191
- D. 390,628 2/1998 Husted D21/191

- D. 391,610 3/1998 Husted D21/191
- D. 392,006 3/1998 Dalebout et al. D21/191
- D. 392,350 3/1998 Huang D21/191
- 5,584,780 12/1996 Lin 482/51
- 5,603,675 2/1997 Wu 482/52

Primary Examiner—Philip S. Hyder
Attorney, Agent, or Firm—Nicholas A. Camasto

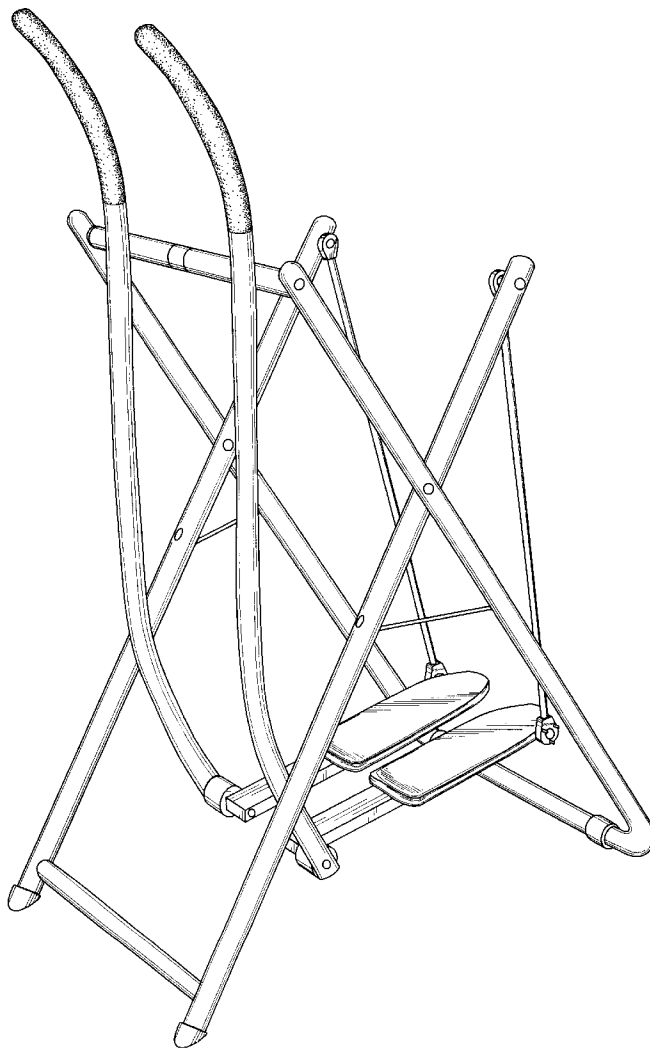
[57] **CLAIM**

We claim the ornamental design for a striding device, as shown.

DESCRIPTION

FIG. 1 is a top, front and left side perspective view of a striding device showing our new design; FIG. 2 is a left side elevational view thereof; FIG. 3 is a front elevational view thereof; FIG. 4 is a top plan view thereof; FIG. 5 is a right elevational view thereof; FIG. 6 is a rear elevational view thereof; and, FIG. 7 is a bottom plan view thereof.

1 Claim, 4 Drawing Sheets



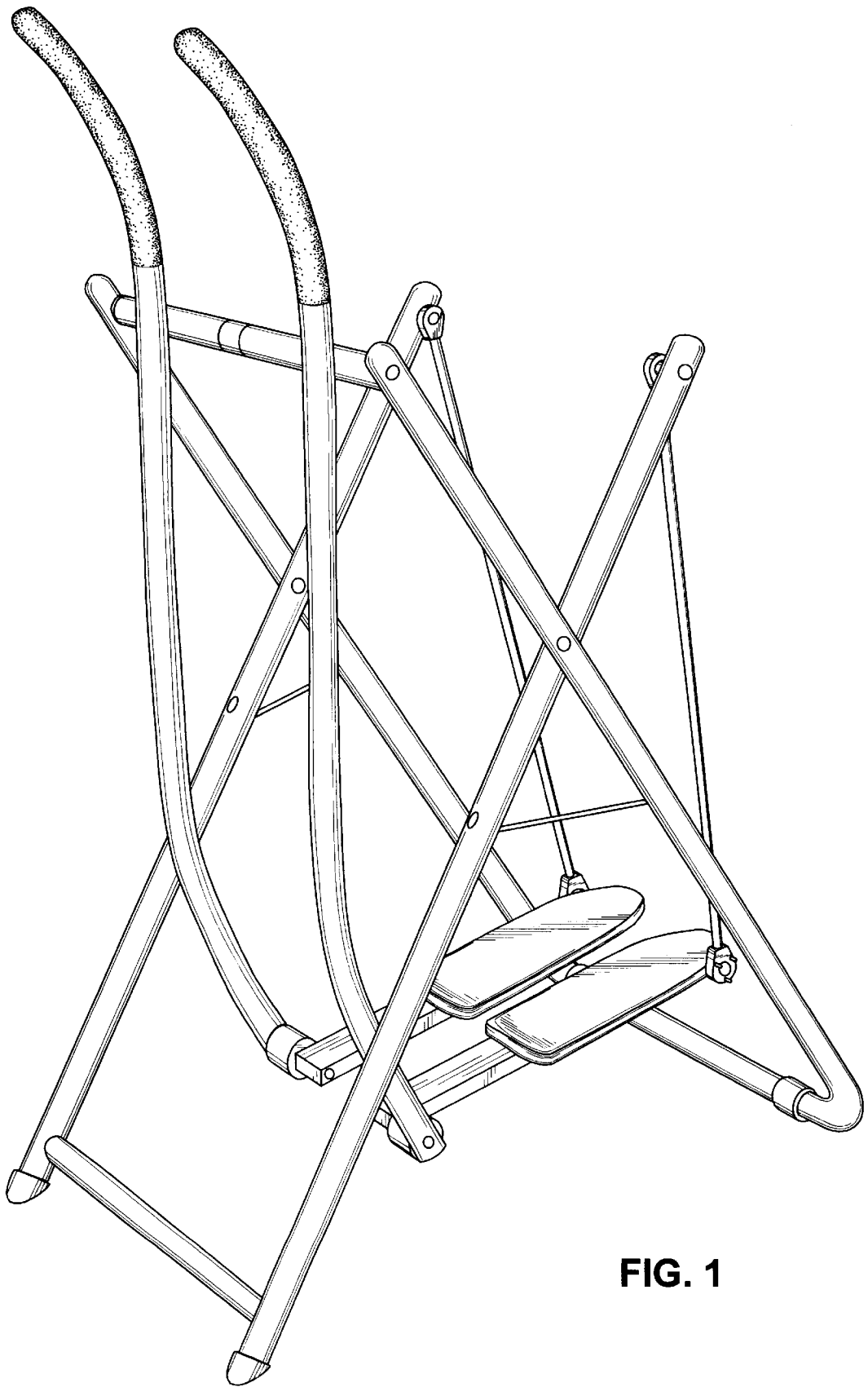


FIG. 1

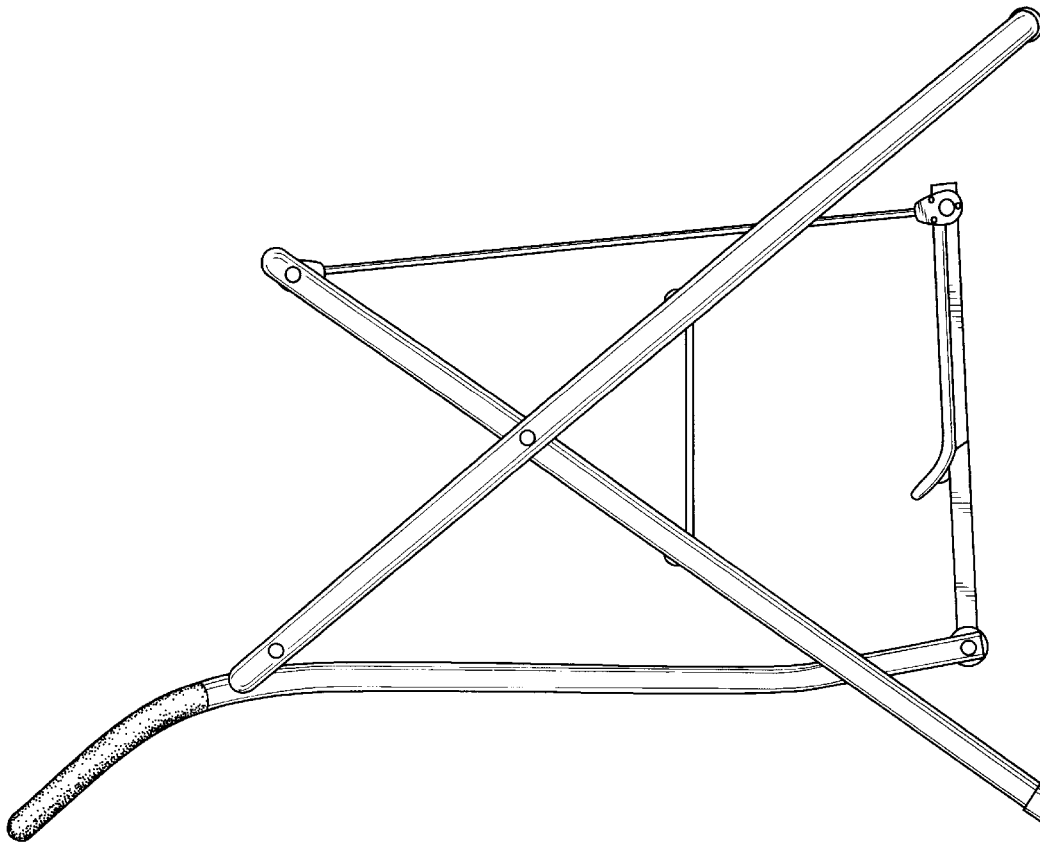


FIG. 2

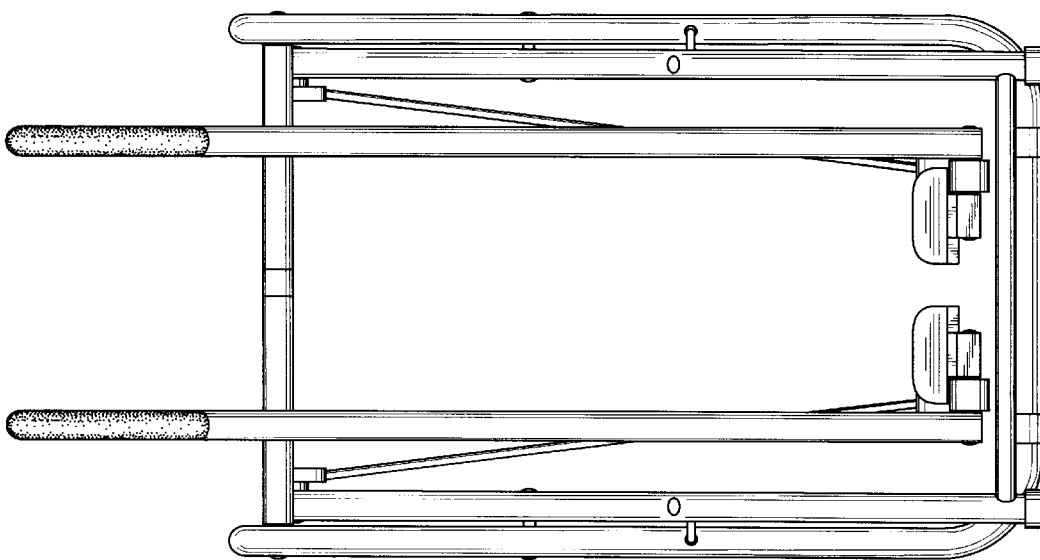


FIG. 3

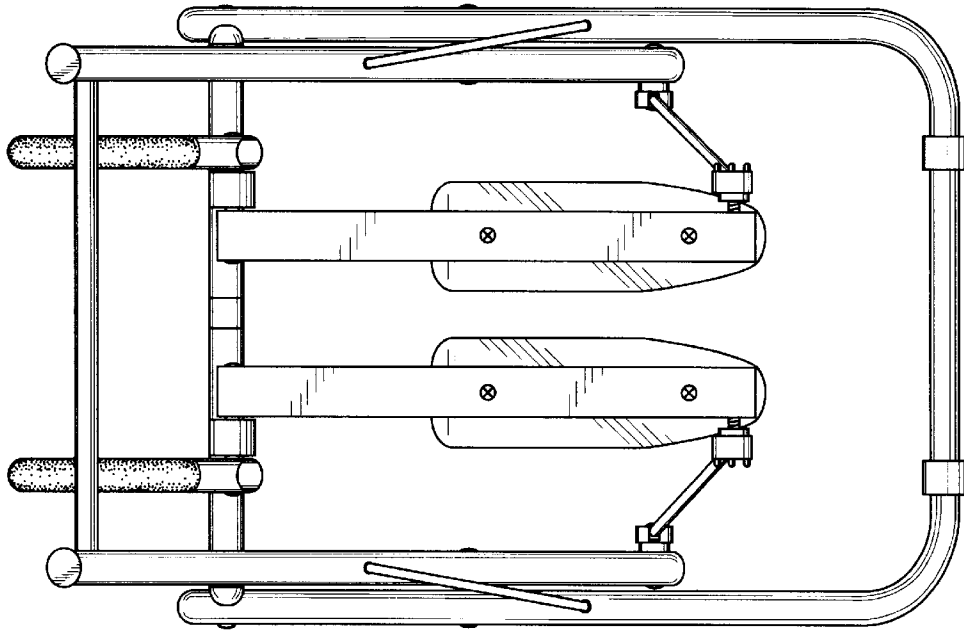


FIG. 7

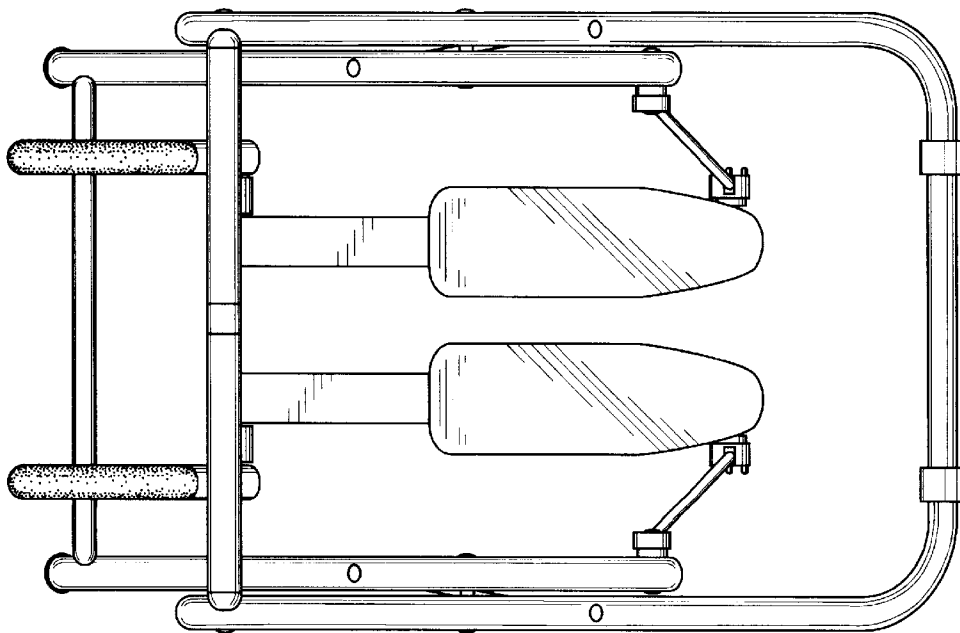


FIG. 4

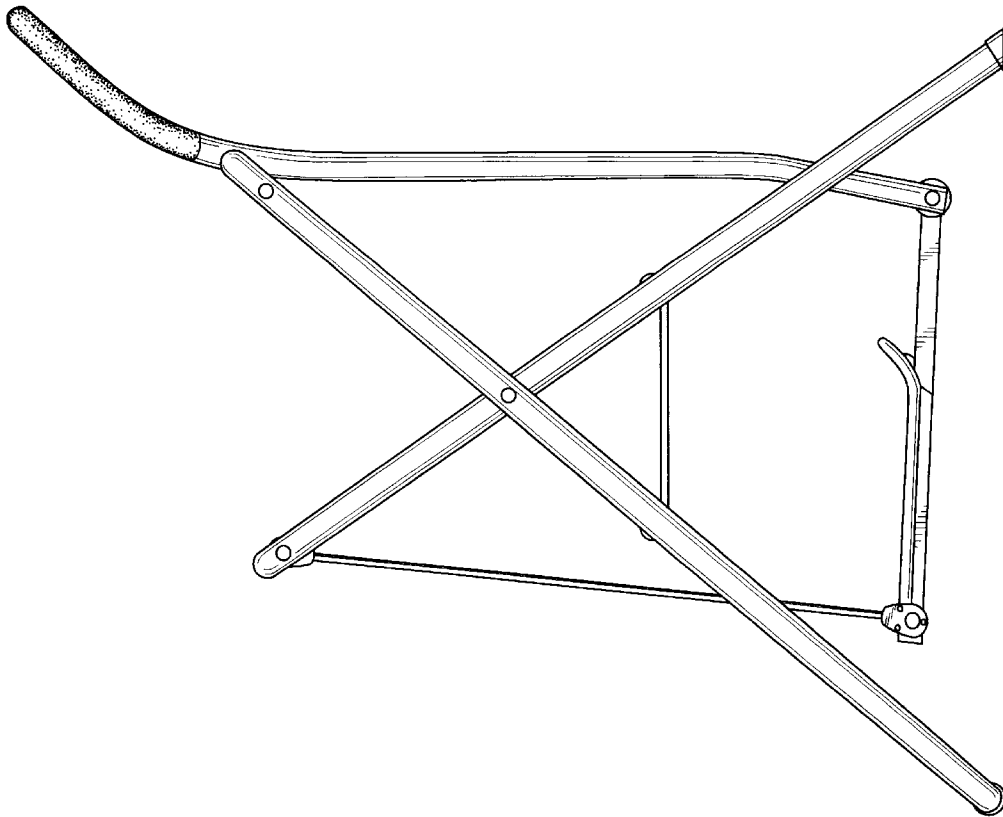


FIG. 5

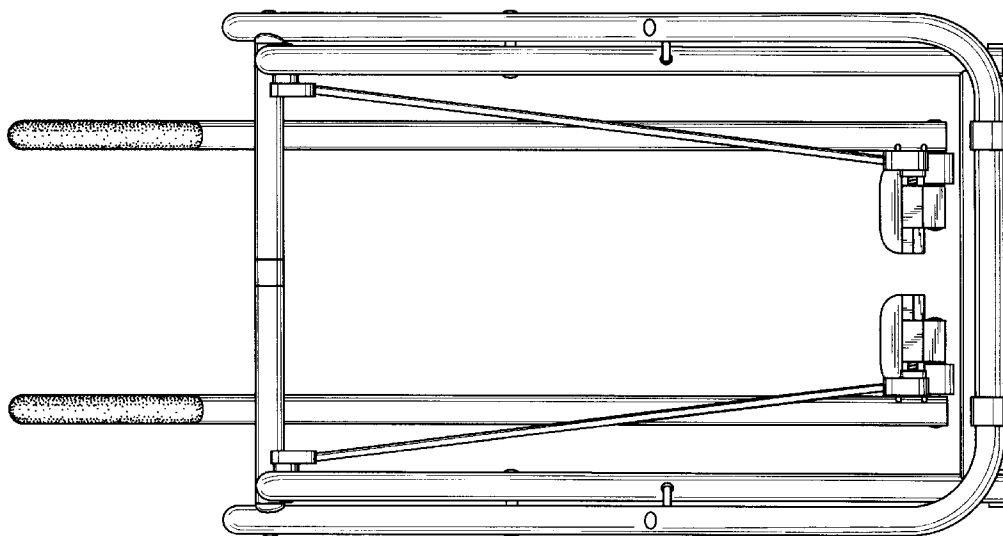


FIG. 6