

(19) World Intellectual Property Organization  
International Bureau



(43) International Publication Date  
6 February 2003 (06.02.2003)

PCT

(10) International Publication Number  
WO 03/010813 A3

(51) International Patent Classification<sup>7</sup>: H01L 23/498,  
H05K 3/40, 7/10

(21) International Application Number: PCT/US01/42515

(22) International Filing Date: 3 October 2001 (03.10.2001)

(25) Filing Language: English

(26) Publication Language: English

(30) Priority Data:  
09/912,111 23 July 2001 (23.07.2001) US

(71) Applicant and

(72) Inventor: CLAYTON, Gary, A. [US/US]; 11856 West  
Driftwood Court, Boise, ID 83713 (US).

(74) Agent: SHAVER, Robert, L.; 802 West Bannock, Suite  
405, Boise, ID 83702 (US).

(81) Designated States (national): AE, AG, AL, AM, AT, AU,  
AZ, BA, BB, BG, BR, BY, BZ, CA, CH, CN, CO, CR, CU,

CZ, DE, DK, DM, DZ, EC, EE, ES, FI, GB, GD, GE, GH,  
GM, HR, HU, ID, IL, IN, IS, JP, KE, KG, KP, KR, KZ, LC,  
LK, LR, LS, LT, LU, LV, MA, MD, MG, MK, MN, MW,  
MX, MZ, NO, NZ, PL, PT, RO, RU, SD, SE, SG, SI, SK,  
SL, TJ, TM, TR, TT, TZ, UA, UG, US, UZ, VN, YU, ZA,  
ZW.

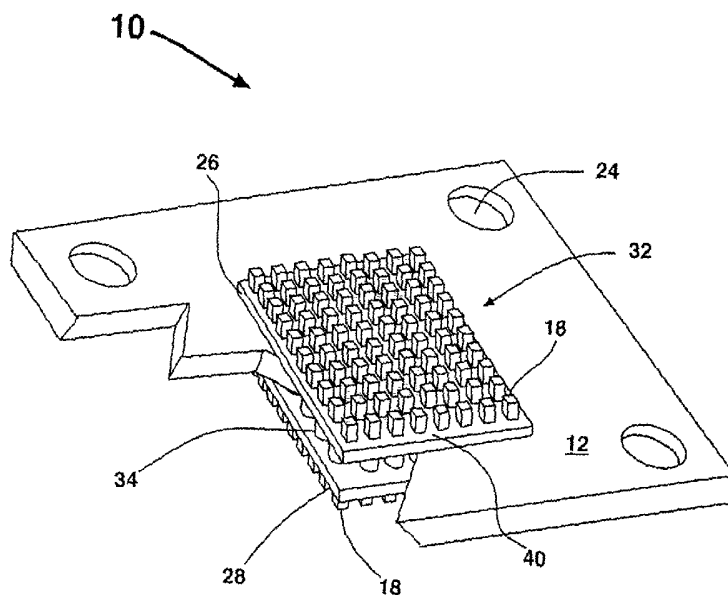
(84) Designated States (regional): ARIPO patent (GH, GM,  
KE, LS, MW, MZ, SD, SL, SZ, TZ, UG, ZW), Eurasian  
patent (AM, AZ, BY, KG, KZ, MD, RU, TJ, TM), European  
patent (AT, BE, CH, CY, DE, DK, ES, FI, FR, GB, GR, IE,  
IT, LU, MC, NL, PT, SE, TR), OAPI patent (BF, BJ, CF,  
CG, CI, CM, GA, GN, GQ, GW, ML, MR, NE, SN, TD,  
TG).

Published:  
— with international search report

(88) Date of publication of the international search report:  
18 September 2003

For two-letter codes and other abbreviations, refer to the "Guidance Notes on Codes and Abbreviations" appearing at the beginning of each regular issue of the PCT Gazette.

(54) Title: GRID INTERPOSER



(57) Abstract: A grid interposer for testing electrical circuits and a method of making a grid interposer. The grid interposer includes upper and lower conductive surfaces sandwiched on either side of an insulating later, connected to each other by a plurality of vias filled with conductive material. The conductive surfaces are flat topped, and incised with a grid of flat topped peaks which are small enough to cut through oxidation of electrical contacts, and ensure good electrical contact with a variety of electrode shapes.



WO 03/010813 A3

## INTERNATIONAL SEARCH REPORT

International Application No

PCT/US 01/42515

## A. CLASSIFICATION OF SUBJECT MATTER

IPC 7 H01L23/498 H05K3/40 H05K7/10

According to International Patent Classification (IPC) or to both national classification and IPC

## B. FIELDS SEARCHED

Minimum documentation searched (classification system followed by classification symbols)

IPC 7 H01L H05K B25G

Documentation searched other than minimum documentation to the extent that such documents are included in the fields searched

Electronic data base consulted during the international search (name of data base and, where practical, search terms used)

EPO-Internal, PAJ, WPI Data, IBM-TDB

## C. DOCUMENTS CONSIDERED TO BE RELEVANT

Category *	Citation of document, with indication, where appropriate, of the relevant passages	Relevant to claim No.
X	PATENT ABSTRACTS OF JAPAN vol. 2000, no. 16, 8 May 2001 (2001-05-08) -& JP 2001 004700 A (YAMAICHI ELECTRONICS CO LTD), 12 January 2001 (2001-01-12)	1,3,5,6
Y	paragraphs '0012!', '0023!', '0032! paragraphs '0041!'-'0046! figure 5	7,8
A	abstract  ---  -/--	9,10

 Further documents are listed in the continuation of box C. Patent family members are listed in annex.

\* Special categories of cited documents :

- \*A\* document defining the general state of the art which is not considered to be of particular relevance
- \*E\* earlier document but published on or after the international filing date
- \*L\* document which may throw doubts on priority claim(s) or which is cited to establish the publication date of another citation or other special reason (as specified)
- \*O\* document referring to an oral disclosure, use, exhibition or other means
- \*P\* document published prior to the international filing date but later than the priority date claimed

- \*T\* later document published after the international filing date or priority date and not in conflict with the application but cited to understand the principle or theory underlying the invention
- \*X\* document of particular relevance; the claimed invention cannot be considered novel or cannot be considered to involve an inventive step when the document is taken alone
- \*Y\* document of particular relevance; the claimed invention cannot be considered to involve an inventive step when the document is combined with one or more other such documents, such combination being obvious to a person skilled in the art.
- \*&\* document member of the same patent family

Date of the actual completion of the international search

20 June 2003

Date of mailing of the international search report

01/07/2003

Name and mailing address of the ISA

European Patent Office, P.B. 5818 Patentlaan 2  
NL - 2280 HV Rijswijk  
Tel. (+31-70) 340-2040, Tx. 31 651 epo nl,  
Fax: (+31-70) 340-3016

Authorized officer

Morena, E

## INTERNATIONAL SEARCH REPORT

Int. Application No

PCT/US 01/42515

C.(Continuation) DOCUMENTS CONSIDERED TO BE RELEVANT		
Category °	Citation of document, with indication, where appropriate, of the relevant passages	Relevant to claim No.
X	US 6 247 228 B1 (FJELSTAD JOSEPH ET AL) 19 June 2001 (2001-06-19) column 4, line 30 - line 53 column 6, line 25 - line 37 column 7, line 28 - line 31 column 9, line 65 -column 10, line 12 column 14, line 19 - line 27 column 15, line 52 -column 16, line 51 figures 2,10,17A-17D	1,2,5,9
X	US 5 984 691 A (BRODSKY WILLIAM LOUIS ET AL) 16 November 1999 (1999-11-16) abstract column 5, line 57 -column 6, line 65 figures 1,7,9	1,2,5,6
A	---	7
X	US 6 094 060 A (FRANKENY JEROME A ET AL) 25 July 2000 (2000-07-25) abstract column 3, line 16 - line 53 figure 3 claim 1	1,5,6
Y	US 5 703 753 A (MOK SAMMY L) 30 December 1997 (1997-12-30) column 5, line 35 -column 6, line 11 column 7, line 40 - line 48 figures 1,4	7,8
A	---	1
A	US 6 174 175 B1 (PERRY CHARLES HAMPTON ET AL) 16 January 2001 (2001-01-16) column 1, line 43 -column 2, line 13 column 2, line 49 -column 3, line 54 column 4, line 12 -column 5, line 49 figures 5,6A-6E	1,3,4,9,10
A	US 5 731 636 A (CHUN HEUNG SUP) 24 March 1998 (1998-03-24) abstract column 1, line 62 -column 2, line 55 claims 1,6 figures 4A-4E,5	1-4,9,10

## INTERNATIONAL SEARCH REPORT

Information on patent family members

Int. Application No

PCT/US 01/42515

Patent document cited in search report	Publication date	Patent family member(s)	Publication date
JP 2001004700	A	12-01-2001	NONE
US 6247228	B1	19-06-2001	US 6239386 B1 29-05-2001 US 2002179325 A1 05-12-2002 US 2001011605 A1 09-08-2001 US 6266874 B1 31-07-2001 US 6274820 B1 14-08-2001 AU 5720998 A 03-07-1998 WO 9826476 A1 18-06-1998
US 5984691	A	16-11-1999	US 5759047 A 02-06-1998
US 6094060	A	25-07-2000	US 5949246 A 07-09-1999 US 6094059 A 25-07-2000
US 5703753	A	30-12-1997	US 5619399 A 08-04-1997 AU 4926396 A 04-09-1996 EP 0809924 A1 03-12-1997 JP 11500271 T 06-01-1999 WO 9625839 A1 22-08-1996
US 6174175	B1	16-01-2001	NONE
US 5731636	A	24-03-1998	KR 206866 B1 01-07-1999 JP 3029398 B2 04-04-2000 JP 9129669 A 16-05-1997