

(19) World Intellectual Property Organization
International Bureau



(43) International Publication Date
31 May 2007 (31.05.2007)

PCT

(10) International Publication Number
WO 2007/061822 A3

- (51) International Patent Classification:
B60R 21/20 (2006.01)
- (21) International Application Number:
PCT/US2006/044625
- (22) International Filing Date:
16 November 2006 (16.11.2006)
- (25) Filing Language: English
- (26) Publication Language: English
- (30) Priority Data:
11/282,336 18 November 2005 (18.11.2005) US
- (71) Applicant (for all designated States except US): AUTO-LIV ASP, INC. [US/US]; 3350 Airport Road, Ogden, UT 84405 (US).
- (72) Inventors; and
- (75) Inventors/Applicants (for US only): WILLIAMS, Jeffrey, D. [US/US]; 5155 South 3025 West, Roy, UT 84067
- (US). ROSE, Larry, D. [US/US]; 2023 East Cedar Loop Drive, South Weber, UT 84405 (US).
- (74) Agent: KOTTIS, Nick, C.; PAULEY PETERSEN & ERICKSON, 2800 West Higgins Road, Suite 365, Hoffman Estates, IL 60169 (US).
- (81) Designated States (unless otherwise indicated, for every kind of national protection available): AE, AG, AL, AM, AT, AU, AZ, BA, BB, BG, BR, BW, BY, BZ, CA, CH, CN, CO, CR, CU, CZ, DE, DK, DM, DZ, EC, EE, EG, ES, FI, GB, GD, GE, GH, GM, GT, HN, HR, HU, ID, IL, IN, IS, JP, KE, KG, KM, KN, KP, KR, KZ, LA, LC, LK, LR, LS, LT, LU, LV, LY, MA, MD, MG, MK, MN, MW, MX, MY, MZ, NA, NG, NI, NO, NZ, OM, PG, PH, PL, PT, RO, RS, RU, SC, SD, SE, SG, SK, SL, SM, SV, SY, TJ, TM, TN, TR, TT, TZ, UA, UG, US, UZ, VC, VN, ZA, ZM, ZW.
- (84) Designated States (unless otherwise indicated, for every kind of regional protection available): ARIPO (BW, GH, GM, KE, LS, MW, MZ, NA, SD, SL, SZ, TZ, UG, ZM, ZW), Eurasian (AM, AZ, BY, KG, KZ, MD, RU, TJ, TM), European (AT, BE, BG, CH, CY, CZ, DE, DK, EE, ES, FI,

[Continued on next page]

(54) Title: FLEXIBLE HOUSING FOR AN AIRBAG MODULE

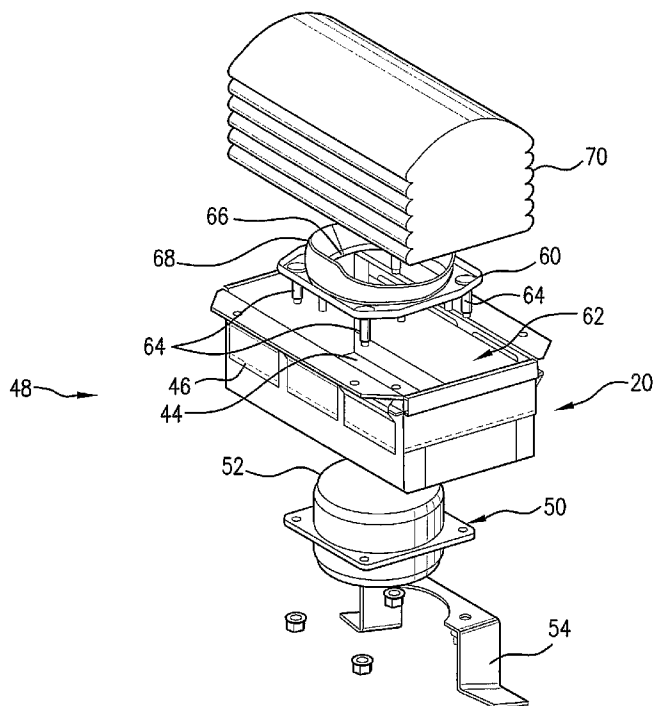


FIG. 3

(57) Abstract: A housing for an airbag module that contains an inflatable airbag cushion in a compacted configuration before being inflated by inflation gas supplied by an inflator device. The housing includes a collar for attaching the housing to a vehicle and a chute assembly formed of a flexible material and secured to the collar.

WO 2007/061822 A3



FR, GB, GR, HU, IE, IS, IT, LT, LU, LV, MC, NL, PL, PT,
RO, SE, SI, SK, TR), OAPI (BF, BJ, CF, CG, CI, CM, GA,
GN, GQ, GW, ML, MR, NE, SN, TD, TG).

— *as to the applicant's entitlement to claim the priority of the
earlier application (Rule 4.17(iii))*

Declarations under Rule 4.17:

— *as to applicant's entitlement to apply for and be granted a
patent (Rule 4.17(ii))*

Published:

— *with international search report*

(88) Date of publication of the international search report:

7 May 2009

INTERNATIONAL SEARCH REPORT

International application No.

PCT/US06/44625

A. CLASSIFICATION OF SUBJECT MATTER

IPC: **B60R 21/20(2006.01)**

USPC: 280/728.2

According to International Patent Classification (IPC) or to both national classification and IPC

B. FIELDS SEARCHED

Minimum documentation searched (classification system followed by classification symbols)

U.S. : 280/728.2, 728.1; 248/ 95, 99-101; 403/179, 291, 404, 364, 319, 316, 331, 329, 353, 270

Documentation searched other than minimum documentation to the extent that such documents are included in the fields searched

Electronic data base consulted during the international search (name of data base and, where practicable, search terms used)
Please See Continuation Sheet

C. DOCUMENTS CONSIDERED TO BE RELEVANT

Category *	Citation of document, with indication, where appropriate, of the relevant passages	Relevant to claim No.
X	US 2005/0225059 A1 (LEWIS et al.) 13 October 2005 (13.10.2005) See Figures 2-4	1-3, 15-17, 20 and 21
X	US 5,806,879 A (HAMADA et al.) 15 September 1998 (15.09.1998) Figure 4	1, 2, 7-11, 15, 17-21
X	US 5,393,090 A (SHEPHERD et al.) 28 February 1995 (28.02.1995) See Figure 1	1-3, 15-17, 20 and 21
X	DE 199 36 353 A1 (SCHUMACHER et al.) 03 August 1999 (.03.08.1999) See Figures 1 and 2	1, 2
---		-----
Y		3, 5, 6, 12-14
Y	US 5,454,588 A (ROSE) 3 October 1995 (03.10.1995) See Figure 1	3, 6
Y	JP 11-34782 A (BINTO et al.) 09 February 1999 (09.02.1999) See Figure 1	3,5

Further documents are listed in the continuation of Box C.

See patent family annex.

* Special categories of cited documents:		
"A" document defining the general state of the art which is not considered to be of particular relevance	"T"	later document published after the international filing date or priority date and not in conflict with the application but cited to understand the principle or theory underlying the invention
"E" earlier application or patent published on or after the international filing date	"X"	document of particular relevance; the claimed invention cannot be considered novel or cannot be considered to involve an inventive step when the document is taken alone
"L" document which may throw doubts on priority claim(s) or which is cited to establish the publication date of another citation or other special reason (as specified)	"Y"	document of particular relevance; the claimed invention cannot be considered to involve an inventive step when the document is combined with one or more other such documents, such combination being obvious to a person skilled in the art
"O" document referring to an oral disclosure, use, exhibition or other means		
"P" document published prior to the international filing date but later than the priority date claimed	"&"	document member of the same patent family

Date of the actual completion of the international search

17 June 2008 (17.06.2008)

Date of mailing of the international search report


21 JUL 2008

Name and mailing address of the ISA/US

Mail Stop PCT, Attn: ISA/US
Commissioner for Patents
P.O. Box 1450
Alexandria, Virginia 22313-1450

Facsimile No. (571) 273-3201

Authorized officer

Paul Dickson 
Telephone No. 571-272-3600

INTERNATIONAL SEARCH REPORT

International application No.
PCT/US06/44625

Continuation of B. FIELDS SEARCHED Item 3:
EPO, JPO, Derwent
flexible, chute, channel