



US00D921089S

(12) **United States Design Patent**
Yamada

(10) **Patent No.:** **US D921,089 S**

(45) **Date of Patent:** **** Jun. 1, 2021**

(54) **VIDEO CAMERA**

(71) Applicant: **Panasonic Intellectual Property Management Co., Ltd., Osaka (JP)**

(72) Inventor: **Kunio Yamada, Tokyo (JP)**

(73) Assignee: **Panasonic Intellectual Property Management Co., Ltd., Osaka (JP)**

(**) Term: **15 Years**

(21) Appl. No.: **29/668,171**

(22) Filed: **Oct. 29, 2018**

(30) **Foreign Application Priority Data**

May 31, 2018 (JP) 2018-011883

(51) **LOC (13) CL.** **16-05**

(52) **U.S. CL.**
USPC **D16/219; D16/202; D16/205**

(58) **Field of Classification Search**

USPC D16/200, 202–206, 208, 211, 214, 218,
D16/219, 237, 242, 244; 348/164, 347,
348/373–376; 396/535, 539–541;
250/330, 332
CPC G03B 15/00; G03B 15/03; G03B 17/02;
G03B 17/04; G03B 17/56; G03B 19/04;
H04N 5/2251; H04N 5/2252; H04N
5/2253; H04N 5/2254; H04N 2101/00;
F16M 11/04; F16M 13/00

See application file for complete search history.

(56) **References Cited**

U.S. PATENT DOCUMENTS

D483,781 S * 12/2003 Granaas D16/202
D506,492 S * 6/2005 Miyashita
D555,686 S * 11/2007 Hayakawa D16/202
D559,879 S * 1/2008 Sumita D16/202

D559,880 S * 1/2008 Sumita D16/202
D574,027 S * 7/2008 Miyazaki D16/202
D589,547 S * 3/2009 Yamada D16/202
D693,871 S * 11/2013 Tanifuji D16/219
D741,929 S * 10/2015 Tanifuji D16/202
D810,809 S * 2/2018 Miyashita D16/219
D811,464 S * 2/2018 Masuda D16/205
D875,155 S * 2/2020 Jeong D16/202

FOREIGN PATENT DOCUMENTS

JP D1496292 S 5/2014

* cited by examiner

Primary Examiner — Ramzi S Almatrahi

(74) *Attorney, Agent, or Firm* — Brinks Gilson & Lione

(57) **CLAIM**

I claim the ornamental design for a video camera, as shown and described.

DESCRIPTION

FIG. 1 is a front perspective view of a video camera of the present invention;
FIG. 2 is a rear perspective view thereof;
FIG. 3 is a front view thereof;
FIG. 4 is a rear view thereof;
FIG. 5 is a first side view thereof;
FIG. 6 is a second side view thereof;
FIG. 7 is a top view thereof;
FIG. 8 is a bottom view thereof; and,
FIG. 9 is a front perspective view thereof, shown with the display in an open configuration.

The broken lines depict portions of the video camera in which the design is embodied that form no part of the claimed design. Additionally, the dash-dot lines denote the boundary of the claim and form no part of the claimed design.

1 Claim, 9 Drawing Sheets

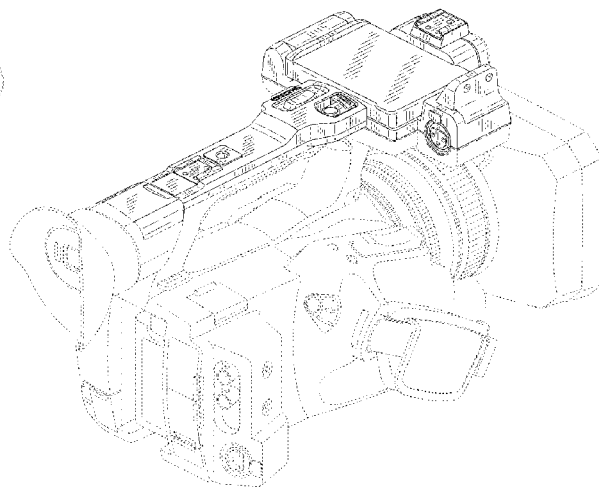
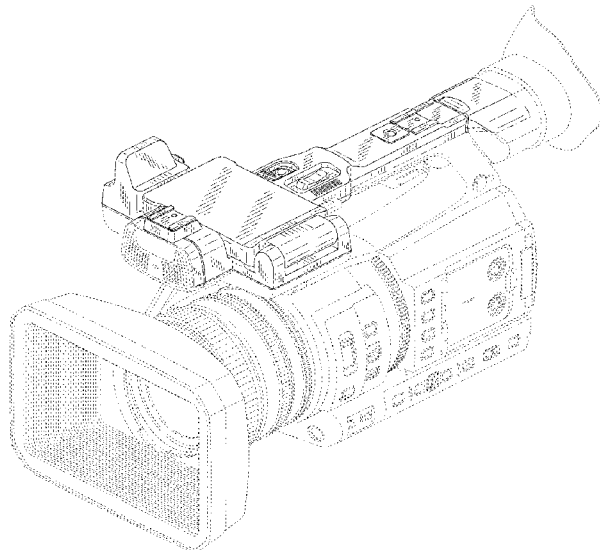


FIG. 1

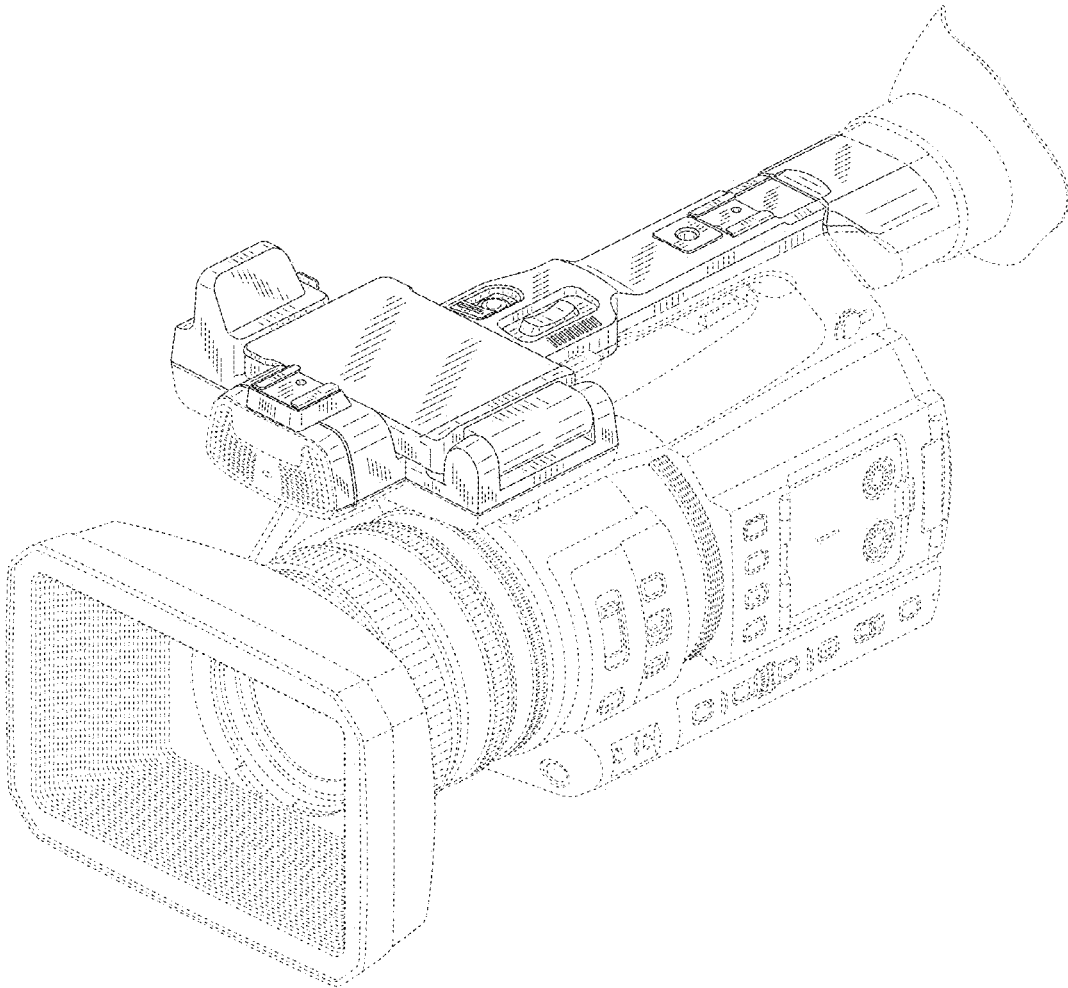


FIG. 2

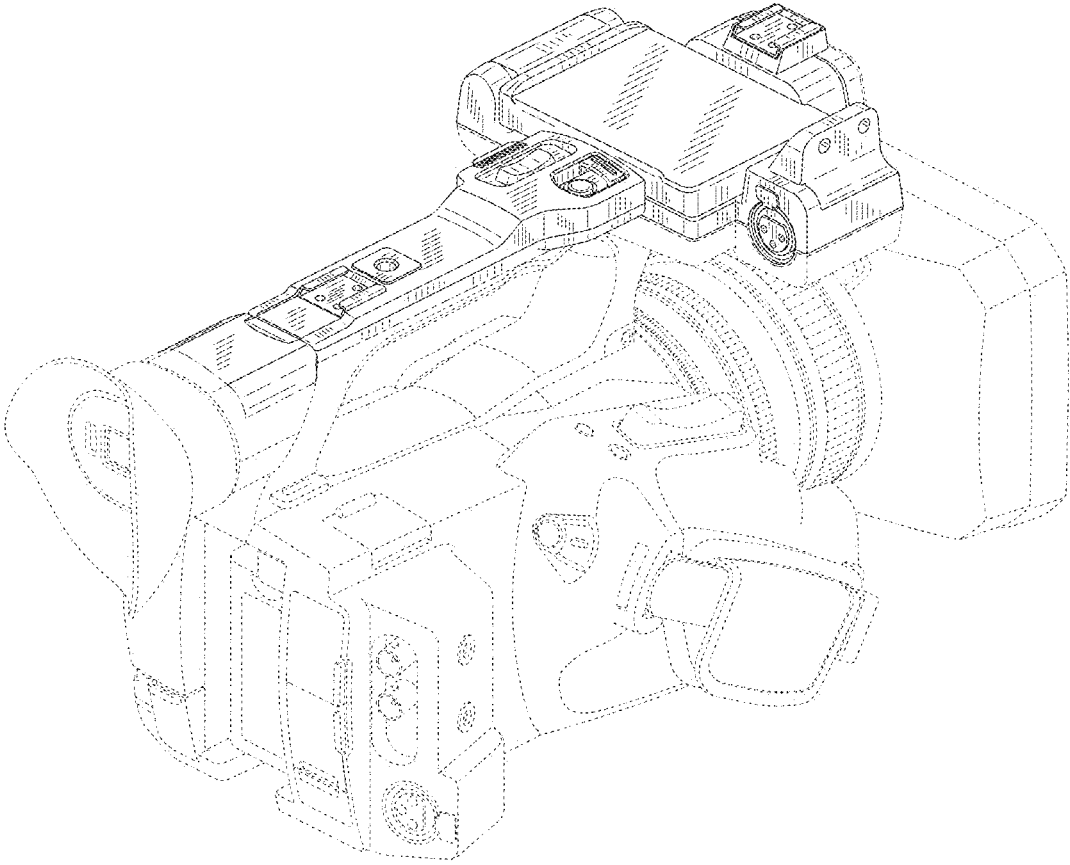


FIG. 3

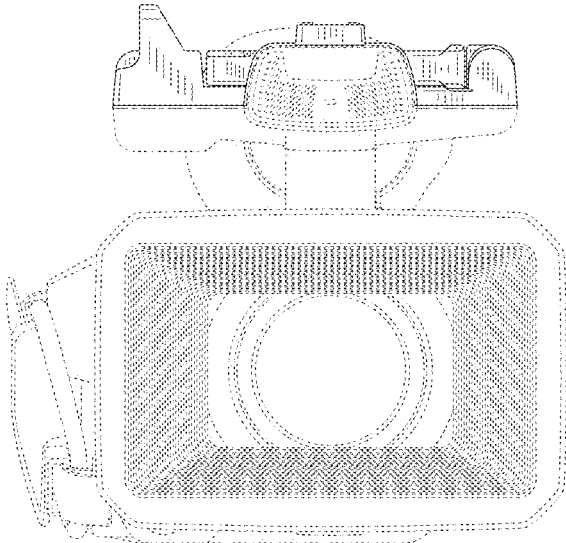


FIG. 4

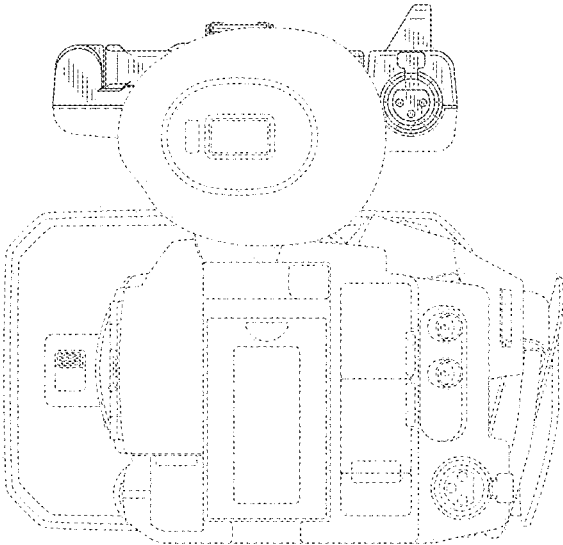


FIG. 5

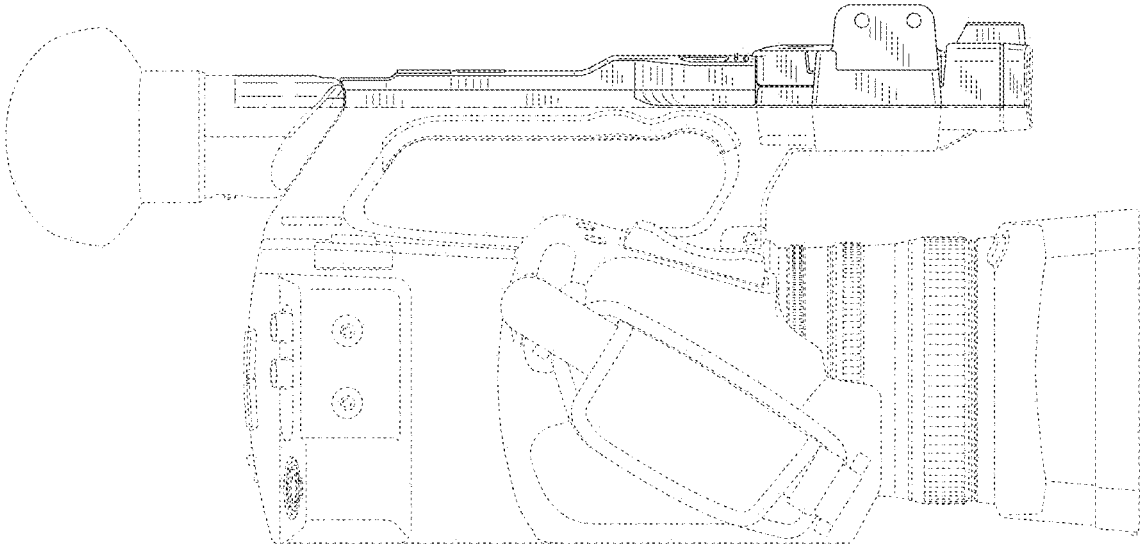


FIG. 6

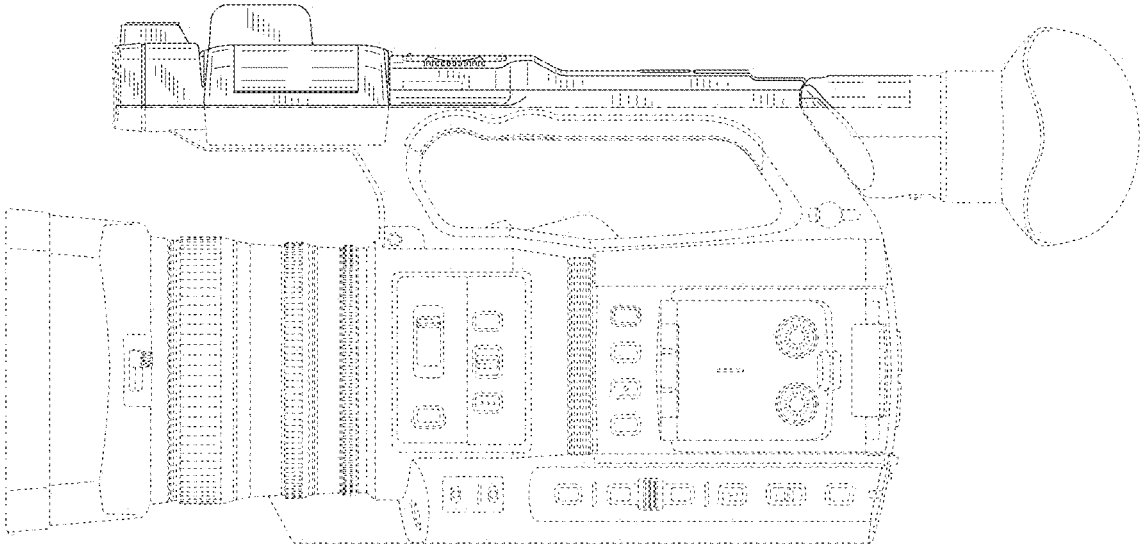


FIG. 7

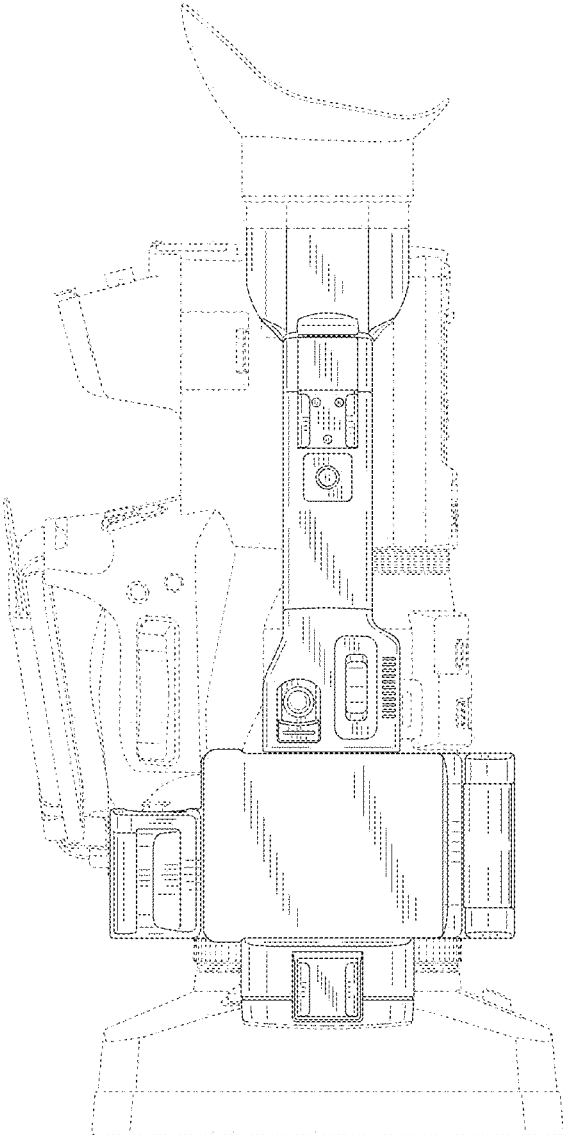


FIG. 8

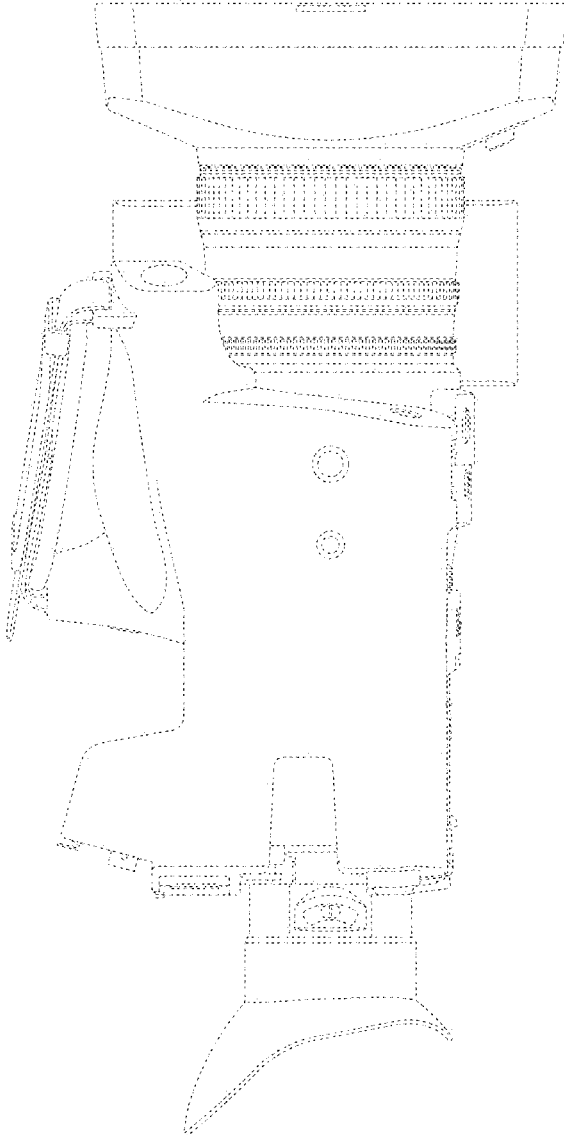


FIG. 9

