



- (51) International Patent Classification: *E21B 33/038* (2006.01) *E21B 17/01* (2006.01) Texas 77429 (US). **VAN ADRICHEM, Max** [NL/US]; 4266 T.C. Jester Blvd., Houston, Texas 77018 (US).
- (21) International Application Number: PCT/US2011/064582 (74) Agent: **ROSE, Collin, A.**; Chamberlain Hrdlicka, 1200 Smith Street, 14th Floor, Houston, Texas 77002 (US).
- (22) International Filing Date: 13 December 2011 (13.12.2011) (81) Designated States (unless otherwise indicated, for every kind of national protection available): AE, AG, AL, AM, AO, AT, AU, AZ, BA, BB, BG, BH, BR, BW, BY, BZ, CA, CH, CL, CN, CO, CR, CU, CZ, DE, DK, DM, DO, DZ, EC, EE, EG, ES, FI, GB, GD, GE, GH, GM, GT, HN, HR, HU, ID, IL, IN, IS, JP, KE, KG, KM, KN, KP, KR, KZ, LA, LC, LK, LR, LS, LT, LU, LY, MA, MD, ME, MG, MK, MN, MW, MX, MY, MZ, NA, NG, NI, NO, NZ, OM, PE, PG, PH, PL, PT, QA, RO, RS, RU, RW, SC, SD, SE, SG, SK, SL, SM, ST, SV, SY, TH, TJ, TM, TN, TR, TT, TZ, UA, UG, US, UZ, VC, VN, ZA, ZM, ZW.
- (25) Filing Language: English
- (26) Publication Language: English
- (30) Priority Data: 61/422,506 13 December 2010 (13.12.2010) US 13/102,676 6 May 2011 (06.05.2011) US
- (71) Applicant (for all designated States except US): **CAMERON INTERNATIONAL CORPORATION** [—/US]; 1333 West Loop South, Suite 1700, Houston, Texas 77027 (US) (84) Designated States (unless otherwise indicated, for every kind of regional protection available): ARIPO (BW, GH, GM, KE, LR, LS, MW, MZ, NA, RW, SD, SL, SZ, TZ, UG, ZM, ZW), Eurasian (AM, AZ, BY, KG, KZ, MD, RU, TJ, TM), European (AL, AT, BE, BG, CH, CY, CZ, DE,
- (72) Inventors; and
- (75) Inventors/Applicants (for US only): **VANDERFORD, Delbert Edwin** [US/US]; 12311 Pine Glen Lane, Cypress,

[Continued on next page]

(54) Title: ADJUSTABLE RISER SUSPENSION AND SEALING SYSTEM

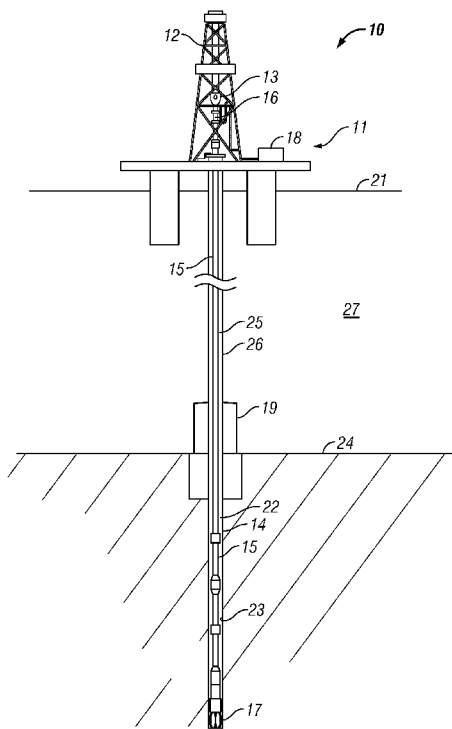


FIG. 1

(57) Abstract: An adjustable riser suspension system for suspending a riser under tension including a riser hanger, a mating sleeve rotationally coupled to the riser hanger, a ratchet-latch sleeve located inside the mating sleeve with an external profile configured to engage an internal profile of the mating sleeve and an internal profile configured to engage an externally threaded face of the riser. The riser hanger and mating sleeve are configured to move downward relative to the riser such that the mating sleeve fits over at least a portion of the riser, causing the ratchet-latch device to ratchet over the external threads of the riser. The mating sleeve is configured to rotate relative to the riser, causing the internal and external profiles of ratchet-latch device to lock the riser and the mating sleeve to prevent movement of the riser relative to the mating sleeve.





DK, EE, ES, FI, FR, GB, GR, HR, HU, IE, IS, IT, LT,  
LU, LV, MC, MK, MT, NL, NO, PL, PT, RO, RS, SE,  
SI, SK, SM, TR), OAPI (BF, BJ, CF, CG, CI, CM, GA,  
GN, GQ, GW, ML, MR, NE, SN, TD, TG).

— *before the expiration of the time limit for amending the  
claims and to be republished in the event of receipt of  
amendments (Rule 48.2(h))*

**Published:**

— *with international search report (Art. 21(3))*

**(88) Date of publication of the international search report:**  
27 December 2012

**A. CLASSIFICATION OF SUBJECT MATTER*****E21B 33/038(2006.01)i, E21B 17/01(2006.01)i***

According to International Patent Classification (IPC) or to both national classification and IPC

**B. FIELDS SEARCHED**

Minimum documentation searched (classification system followed by classification symbols)

E21B 33/038; E21B 23/02; E21B 7/12; F16L 35/00; E21B 33/035

Documentation searched other than minimum documentation to the extent that such documents are included in the fields searched

Korean utility models and applications for utility models

Japanese utility models and applications for utility models

Electronic data base consulted during the international search (name of data base and, where practicable, search terms used)

eKOMPASS(KIPO internal) &amp; Keywords: riser, suspension, hanger, mating sleeve, ratchet-latch, metal-to-metal, seal

**C. DOCUMENTS CONSIDERED TO BE RELEVANT**

Category*	Citation of document, with indication, where appropriate, of the relevant passages	Relevant to claim No.
Y A	US 2002-0074124 A1 (CHRISTOPHER, E. CUNNINGHAM et al.) 20 June 2002 See abstract, abstract, paragraphs [0024],[0027],[0040], and figures 2b,4a.	1,5,6,9 2-4,7,8,10
Y A	US 2004-0069493 A1 (EUGENE, A. BORAK) 15 April 2004 See abstract, paragraphs [0026]-[0028], and figure 1D.	1,5,6,9 2-4,7,8,10
A	US 2005-0263294 A1 (BRITT, BRADDICK) 01 December 2005 See abstract, paragraphs [0025]-[0027], and figure 1A.	1-10
A	US 03926457 A (WILLIAMS, JR. LEONARD E. et al.) 16 December 1975 See abstract, column 1 lines 3-10, column 4 lines 24-62, column 8 lines 47-64, and figures 1A,1B.	1-10

 Further documents are listed in the continuation of Box C. See patent family annex.

\* Special categories of cited documents:

"A" document defining the general state of the art which is not considered to be of particular relevance

"E" earlier application or patent but published on or after the international filing date

"L" document which may throw doubts on priority claim(s) or which is cited to establish the publication date of citation or other special reason (as specified)

"O" document referring to an oral disclosure, use, exhibition or other means

"P" document published prior to the international filing date but later than the priority date claimed

"T" later document published after the international filing date or priority date and not in conflict with the application but cited to understand the principle or theory underlying the invention

"X" document of particular relevance; the claimed invention cannot be considered novel or cannot be considered to involve an inventive step when the document is taken alone

"Y" document of particular relevance; the claimed invention cannot be considered to involve an inventive step when the document is combined with one or more other such documents, such combination being obvious to a person skilled in the art

"&amp;" document member of the same patent family

Date of the actual completion of the international search

23 OCTOBER 2012 (23.10.2012)

Date of mailing of the international search report

**24 OCTOBER 2012 (24.10.2012)**

Name and mailing address of the ISA/KR

Korean Intellectual Property Office  
189 Cheongsa-ro, Seo-gu, Daejeon Metropolitan  
City, 302-701, Republic of Korea

Facsimile No. 82-42-472-7140

Authorized officer

Park Sang Hyun

Telephone No. 82-42-481-5434



**INTERNATIONAL SEARCH REPORT**

Information on patent family members

International application No.

**PCT/US2011/064582**

Patent document cited in search report	Publication date	Patent family member(s)	Publication date
US 2002-0074124 A1	20.06.2002	US 6557638 B2	06.05.2003
US 2004-0069493 A1	15.04.2004	US 2002-0174991 A1 US 6918446 B2	28.11.2002 19.07.2005
US 2005-0263294 A1	01.12.2005	CA 2508434 A1 CA 2508434 C CA 2609184 A1 CA 2609184 C EP 1600600 A2 EP 1600600 A3 EP 1600600 B1 GB 2440879 A NO 20052561A NO 2005256100 US 2005-0263292 A1 US 7225880 B2 US 7278492 B2 WO 2006-127981 A2 WO 2006-127981 A3 WO 2006-127981 A3	27.11.2005 16.11.2010 30.11.2006 15.11.2011 30.11.2005 01.03.2006 16.07.2008 13.02.2008 28.11.2005 26.05.2005 01.12.2005 05.06.2007 09.10.2007 30.11.2006 27.12.2007 30.11.2006
US 03926457 A	16.12.1975	None	