



(12) **United States Design Patent**
Quilter et al.

(10) **Patent No.:** **US D802,789 S**
(45) **Date of Patent:** **** Nov. 14, 2017**

(54) **TEST CUP HOLDER**
(71) Applicant: **Compliance Software, Inc.**, Salt Lake City, UT (US)
(72) Inventors: **Eric J. Quilter**, Park City, UT (US); **James Steven Buckmiller**, Salt Lake City, UT (US); **Scott M. Clark**, Cape Elizabeth, ME (US)

4,632,901 A 12/1986 Valkirs
4,826,003 A * 5/1989 Levy A61B 10/0096
206/223
5,186,339 A * 2/1993 Heissler B01L 9/06
206/443
5,289,378 A 2/1994 Miller
D355,493 S 2/1995 Gropper
(Continued)

FOREIGN PATENT DOCUMENTS

(73) Assignee: **FormFox, Inc.**, Lenexa, KS (US)
(**) Term: **14 Years**

CN 1773288 11/2004
DE 102006019422 10/2007
(Continued)

(21) Appl. No.: **29/511,137**

OTHER PUBLICATIONS

(22) Filed: **Dec. 8, 2014**

European Search Report for EP 12875290 dated Oct. 23, 2015.
(Continued)

Related U.S. Application Data

(63) Continuation of application No. PCT/US2012/039181, filed on May 23, 2012, which is a continuation of application No. 29/419,180, filed on Apr. 25, 2012, now Pat. No. Des. 701,320, and a continuation of application No. 29/419,182, filed on Apr. 25, 2012, now Pat. No. Des. 699,368.

Primary Examiner — Susan Bennett Hattan
Assistant Examiner — Rebecca Tsehaye
(74) *Attorney, Agent, or Firm* — Workman Nydegger

(51) **LOC (10) Cl.** **24-02**
(52) **U.S. Cl.**

(57) **CLAIM**

The ornamental design for a test cup holder, as shown and described.

USPC **D24/230**

DESCRIPTION

(58) **Field of Classification Search**
USPC D24/227, 224, 229, 230, 107, 108, 216, D24/186; 211/71.01, 72-74; 422/229, 422/300; 206/223, 443
CPC A61J 1/12; A61J 1/00; A61J 1/065; A61J 1/067; G01N 2201/04; G01N 2201/0339; G06F 19/366
See application file for complete search history.

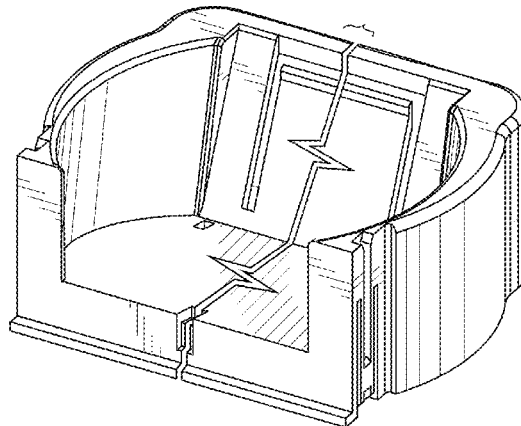
FIG. 1 is a perspective view of a test cup holder showing the design;
FIG. 2 is a front elevational view thereof;
FIG. 3 is a back elevational view thereof;
FIG. 4 is a left elevational view thereof;
FIG. 5 is a right elevational view thereof;
FIG. 6 is a top plan view thereof; and,
FIG. 7 is a bottom plan view thereof.
The broken lines shown in the drawings represent portions of the test cup holder which form no part of the claimed design.

(56) **References Cited**

U.S. PATENT DOCUMENTS

D275,788 S 10/1984 Givner
D285,114 S 8/1986 Collister

1 Claim, 3 Drawing Sheets



(56)

References Cited

U.S. PATENT DOCUMENTS

D376,651 S 12/1996 Paloian
 5,591,645 A 1/1997 Rosenstein
 5,602,040 A 2/1997 May
 6,376,251 B1 4/2002 Braun
 D461,554 S * 8/2002 Lafond D24/227
 D617,666 S 6/2010 Stowers
 D625,014 S 10/2010 Hansen
 D625,015 S 10/2010 Hansen
 D629,805 S 12/2010 Nysen
 D650,910 S 12/2011 Shibata
 D654,597 S 2/2012 Hiramura
 D661,309 S 6/2012 Murrer
 D661,810 S 6/2012 Zanoni
 D662,217 S * 6/2012 Brown D24/224
 D674,396 S 1/2013 Yang
 D682,432 S 5/2013 Khan
 D690,026 S * 9/2013 Brown D24/224
 D699,368 S * 2/2014 Quilter D24/186
 D701,320 S * 3/2014 Quilter D24/186
 D714,462 S * 9/2014 Judson D24/216
 8,824,800 B2 9/2014 Bremnes
 9,094,493 B2 * 7/2015 Quilter G06F 19/366
 D735,881 S * 8/2015 Thomas D24/227
 2005/0106750 A1 5/2005 Tung
 2005/0191694 A1 9/2005 Jacobs
 2006/0073483 A1 4/2006 White
 2006/0074463 A1 4/2006 Seeberger
 2006/0177869 A1 8/2006 Heal
 2006/0222567 A1 10/2006 Kloepfer
 2006/0240453 A1 10/2006 Jacobs
 2006/0257956 A1 11/2006 Basset
 2006/0292040 A1 12/2006 Wickstead
 2007/0065339 A1 3/2007 Huff
 2007/0100397 A1 5/2007 Seeberger
 2008/0019867 A1 1/2008 Johnson
 2008/0194041 A1 8/2008 Guirguis
 2008/0228404 A1 9/2008 Garty
 2009/0132204 A1 5/2009 Bodlaender
 2009/0240115 A1 9/2009 Bluth

2009/0240116 A1 9/2009 Bluth
 2009/0240524 A1 9/2009 Bluth
 2009/0240527 A1 9/2009 Bluth
 2009/0240528 A1 9/2009 Bluth
 2009/0240702 A1 9/2009 Bluth
 2009/0241177 A1 9/2009 Bluth
 2010/0049279 A1 2/2010 Seeberger
 2010/0152059 A1 6/2010 Zeichner
 2010/0173797 A1 7/2010 Jacobs
 2010/0263113 A1 10/2010 Shelton
 2011/0009163 A1 1/2011 Fletcher
 2011/0019883 A1 1/2011 Bremnes
 2011/0077469 A1 3/2011 Blocker
 2011/0144535 A1 6/2011 Guirguis
 2011/0176051 A1 7/2011 Randers-Pehrson
 2011/0257509 A1 10/2011 Olsen
 2011/0312531 A1 12/2011 Jacobs
 2012/0176498 A1 7/2012 Haas
 2012/0203086 A1 8/2012 Rorabaugh
 2013/0053700 A1 2/2013 Ignotz
 2013/0209993 A1 8/2013 Aronowitz
 2014/0032406 A1 1/2014 Roach
 2014/0234858 A1 8/2014 Santagata
 2014/0296112 A1 10/2014 O'Driscoll

FOREIGN PATENT DOCUMENTS

GB 2483482 3/2012
 JP 2008286522 11/2008
 WO WO2010095394 8/2010
 WO 2012032171 3/2012
 WO WO2013162631 10/2013

OTHER PUBLICATIONS

Exampiners Report—15567 for application No. 2242-14.
 International Search Report and Opinion, PCT/US2012/039181,
 dated Dec. 12, 2012.
 Non-Final Office Action for U.S. Appl. No. 14/482,271 dated Oct.
 9, 2015.

* cited by examiner

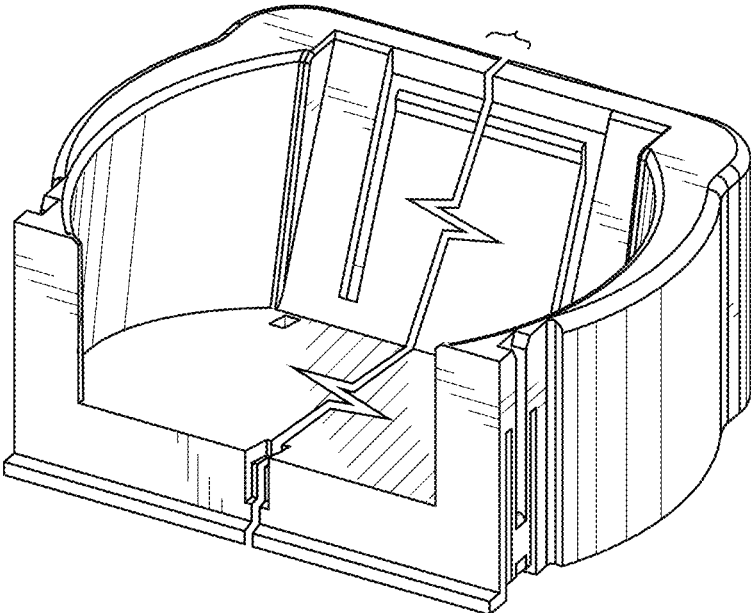


FIG. 1

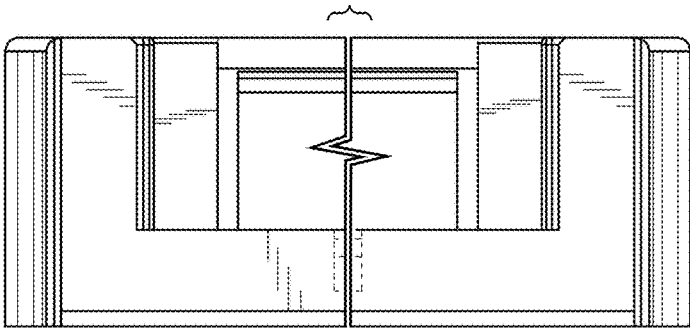


FIG. 2

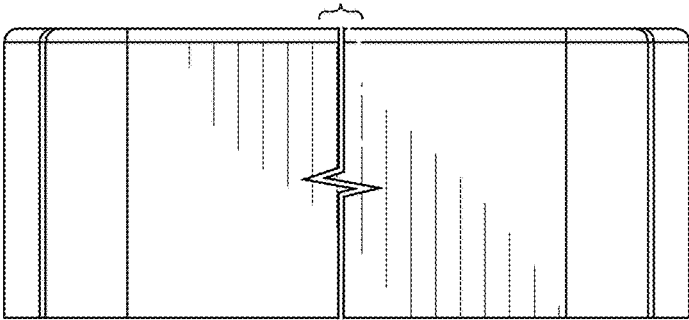


FIG. 3

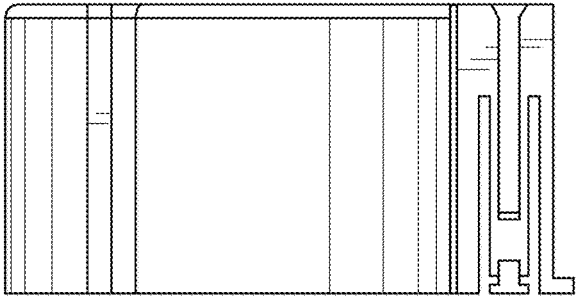


FIG. 4

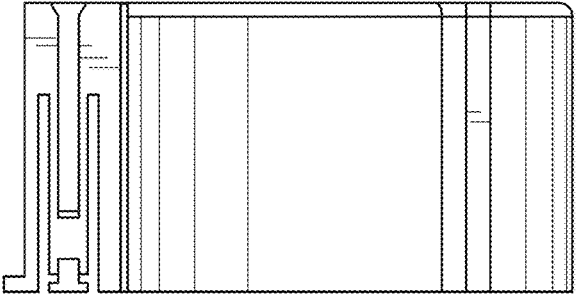


FIG. 5

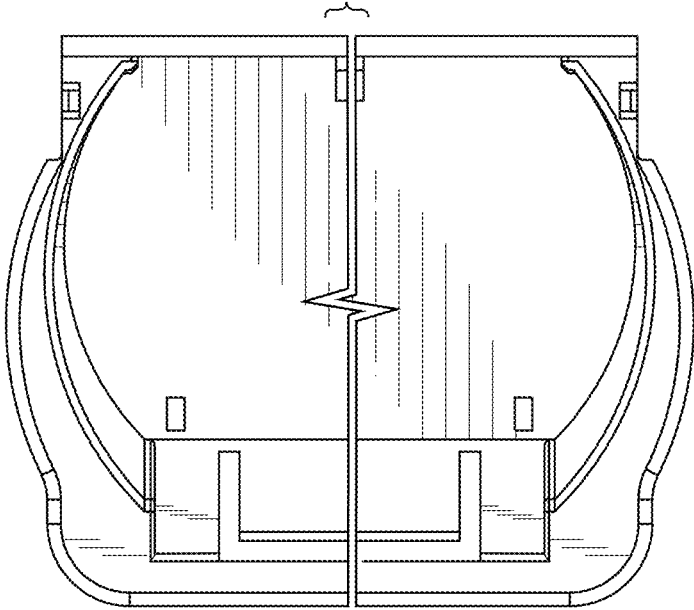


FIG. 6

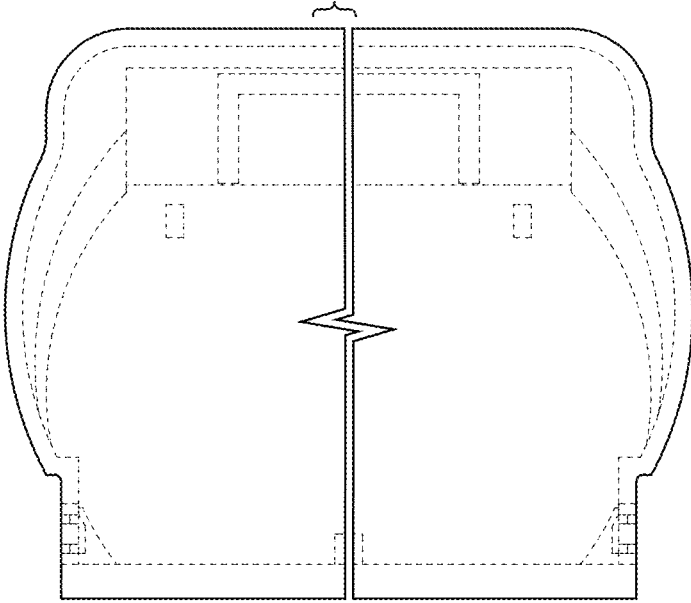


FIG. 7