

[54] **PLANT CONTAINER**
 [75] Inventor: **Hubert E. Christian**, Phoenix, Ariz.
 [73] Assignee: **Dart Industries Inc.**, Los Angeles, Calif.

2,919,694	1/1960	Von Gunten	229/1.5 B
3,243,919	4/1966	Carlson	47/79
3,443,715	5/1969	Edwards	D7/14 X
3,558,001	1/1971	Fritz	D9/220 X
3,606,262	9/1971	Van't Hoff	229/1.5 B X
3,897,899	8/1975	Schuff et al.	229/3.5 R X

[**] Term: **14 Years**
 [21] Appl. No.: **745,313**
 [22] Filed: **Nov. 26, 1976**

Primary Examiner—Robert C. Spangler
Attorney, Agent, or Firm—Kenneth J. Hovet

[51] Int. Cl. **D11-02**
 [52] U.S. Cl. **D11/152; D9/220**
 [58] Field of Search **D7/6, 14, 15; D9/220, D9/140, 150, 154, 216, 243, 248; 229/1.5 B, 3.5 R; D11/143, 152; 47/66-81**

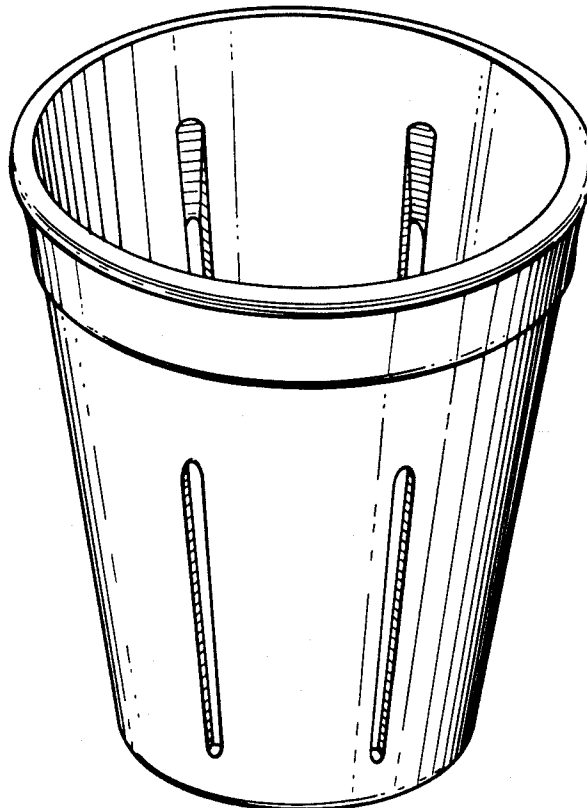
[57] **CLAIM**

The ornamental design for a plant container, substantially as shown.

DESCRIPTION

FIG. 1 is a perspective view of a plant container showing my new design;
 FIG. 2 is a side elevation view thereof;
 FIG. 3 is a top plan view thereof;
 FIG. 4 is a bottom plan view thereof; and,
 FIG. 5 is a cross-section taken along lines 5-5 of FIG. 3.

[56] **References Cited**
U.S. PATENT DOCUMENTS
 2,514,269 7/1950 Wilberschied 47/81



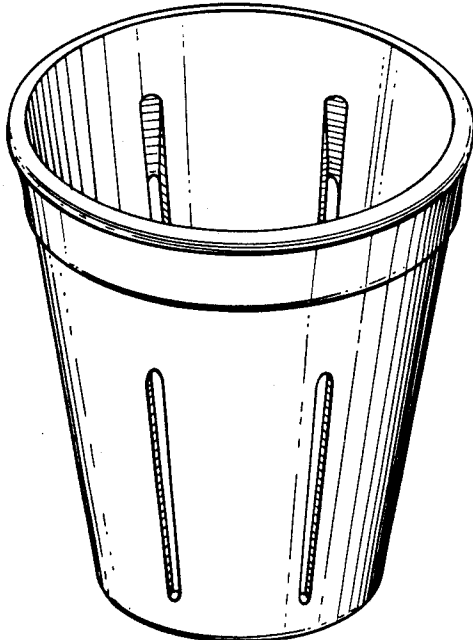


FIG. 1

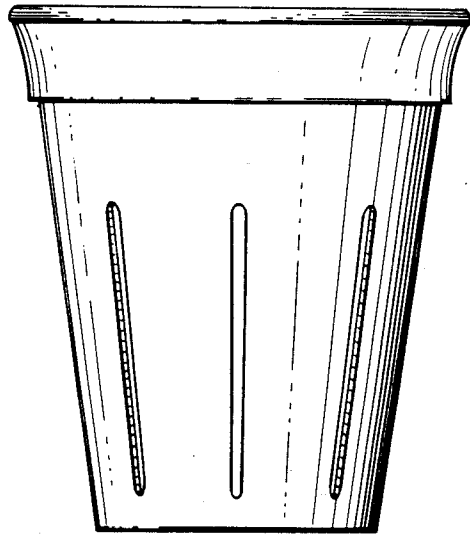


FIG. 2

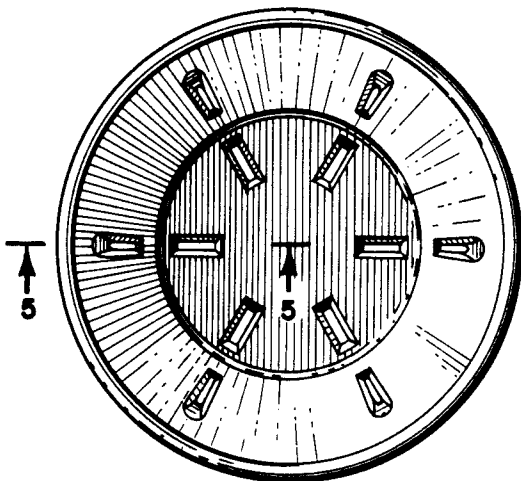


FIG. 3

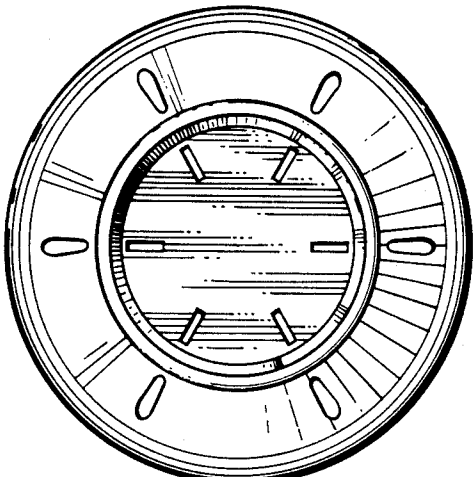


FIG. 4

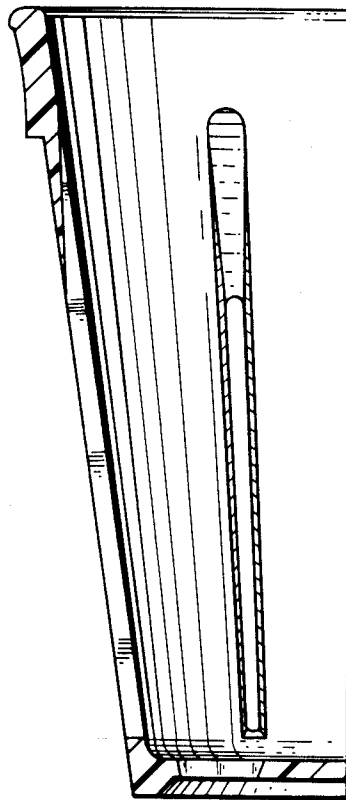


FIG. 5