



- (51) International Patent Classification:  
A61B 17/70 (2006.01) A61B 17/86 (2006.01)
- (21) International Application Number:  
PCT/US2012/031922
- (22) International Filing Date:  
2 April 2012 (02.04.2012)
- (25) Filing Language: English
- (26) Publication Language: English
- (30) Priority Data:  
61/470,885 1 April 2011 (01.04.2011) US
- (72) Inventor; and
- (71) Applicant : STACHNIAK, Rebecca, Elizabeth [US/US];  
3060 Communications Parkway, Suite 201, Plano, TX  
75093 (US).
- (74) Agents: GOSZ, William, B. et al.; Rissman Hendricks &  
Oliverio LLP, 100 Cambridge Street, Suite 2101, Boston,  
ME 02114 (US).

- (81) Designated States (unless otherwise indicated, for every kind of national protection available): AE, AG, AL, AM, AO, AT, AU, AZ, BA, BB, BG, BH, BR, BW, BY, BZ, CA, CH, CL, CN, CO, CR, CU, CZ, DE, DK, DM, DO, DZ, EC, EE, EG, ES, FI, GB, GD, GE, GH, GM, GT, HN, HR, HU, ID, IL, IN, IS, JP, KE, KG, KM, KN, KP, KR, KZ, LA, LC, LK, LR, LS, LT, LU, LY, MA, MD, ME, MG, MK, MN, MW, MX, MY, MZ, NA, NG, NI, NO, NZ, OM, PE, PG, PH, PL, PT, QA, RO, RS, RU, RW, SC, SD, SE, SG, SK, SL, SM, ST, SV, SY, TH, TJ, TM, TN, TR, TT, TZ, UA, UG, US, UZ, VC, VN, ZA, ZM, ZW.
- (84) Designated States (unless otherwise indicated, for every kind of regional protection available): ARIPO (BW, GH, GM, KE, LR, LS, MW, MZ, NA, RW, SD, SL, SZ, TZ, UG, ZM, ZW), Eurasian (AM, AZ, BY, KG, KZ, MD, RU, TJ, TM), European (AL, AT, BE, BG, CH, CY, CZ, DE, DK, EE, ES, FI, FR, GB, GR, HR, HU, IE, IS, IT, LT, LU, LV, MC, MK, MT, NL, NO, PL, PT, RO, RS, SE, SI, SK, SM, TR), OAPI (BF, BJ, CF, CG, CI, CM, GA, GN, GQ, GW, ML, MR, NE, SN, TD, TG).

[Continued on next page]

(54) Title: POSTERIOR CERVICAL STABILIZATION SYSTEM AND METHOD

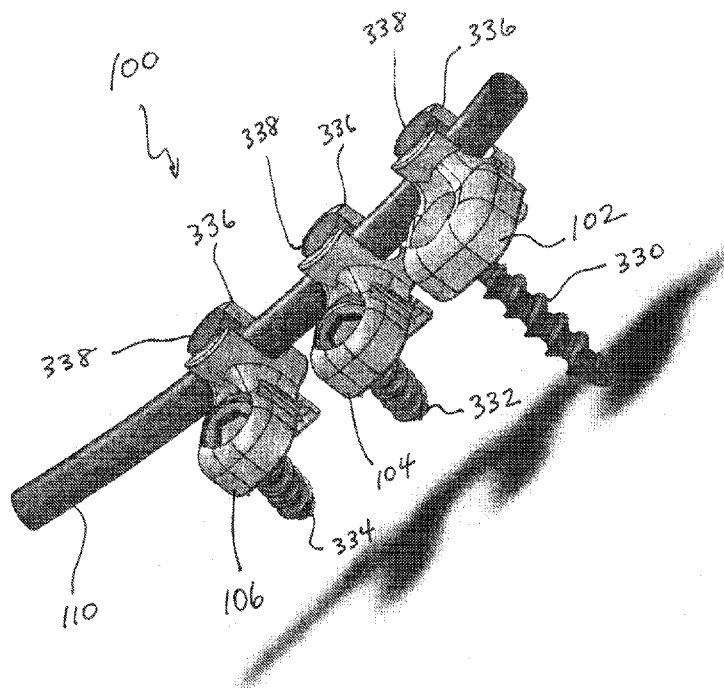


FIG. 3

(57) Abstract: A posterior cervical stabilization system may include a rod, a plurality of modules configured to be coupled with the rod, and a screw associated with each module. Each of the modules includes a pre-drilled hole for providing a predetermined orientation for a screw to be associated with the module. The screws pass through the respective modules and extend from the module in the predetermined orientation. The system may include a plurality of securing members. Each securing member cooperates with one of the modules to fixedly position the module on the rod.





**Published:**

**(88) Date of publication of the international search report:**

22 November 2012

- *with international search report (Art. 21(3))*
- *before the expiration of the time limit for amending the claims and to be republished in the event of receipt of amendments (Rule 48.2(h))*

## INTERNATIONAL SEARCH REPORT

International application No.  
**PCT/US2012/031922****A. CLASSIFICATION OF SUBJECT MATTER****A61B 17/70(2006.01)i, A61B 17/86(2006.01)i**

According to International Patent Classification (IPC) or to both national classification and IPC

**B. FIELDS SEARCHED**

Minimum documentation searched (classification system followed by classification symbols)

A61B 17/70; A61B 17/56

Documentation searched other than minimum documentation to the extent that such documents are included in the fields searched

Korean utility models and applications for utility models

Japanese utility models and applications for utility models

Electronic data base consulted during the international search (name of data base and, where practicable, search terms used)

eKOMPASS(KIPO internal) &amp; Keywords: cervical, stabilization, rod, screw

**C. DOCUMENTS CONSIDERED TO BE RELEVANT**

Category*	Citation of document, with indication, where appropriate, of the relevant passages	Relevant to claim No.
X	US 6280443 B1 (GU, JA-KYO et al.) 28 August 2001 See figs. 1, 6; column 4, lines 42-43; column 5, lines 23-25; claims 1, 10.	1-2
X	US 05743907 A (ASHER, MARC A. et al.) 28 April 1998 See figs. 1, 3, 4, 6; column 3, lines 20, 35-37; column 8, lines 24-28; claims 1, 6, 8.	1-2
X	US 05814046 A (HOPF, CHRISTOPH) 29 September 1998 See abstract; figs. 1, 2; column 5, lines 65-66; claim 1.	1-2
X	US 05545164 A (HOWLAND, ROBERT S.) 13 August 1996 See figs. 5-7; column 4, line 66-column 5, line 4; column 5, lines 12-14;	1
A	claim 4.	2
X	US 7314467 B2 (HOWLAND, ROBERT S.) 01 January 2008	1
A	See figs. 1A, 3A, 3B; column 6, lines 1-2, 46, 48-49; claim 1.	2

 Further documents are listed in the continuation of Box C. See patent family annex.

\* Special categories of cited documents:

"A" document defining the general state of the art which is not considered to be of particular relevance

"E" earlier application or patent but published on or after the international filing date

"L" document which may throw doubts on priority claim(s) or which is cited to establish the publication date of citation or other special reason (as specified)

"O" document referring to an oral disclosure, use, exhibition or other means

"P" document published prior to the international filing date but later than the priority date claimed

"T" later document published after the international filing date or priority date and not in conflict with the application but cited to understand the principle or theory underlying the invention

"X" document of particular relevance; the claimed invention cannot be considered novel or cannot be considered to involve an inventive step when the document is taken alone

"Y" document of particular relevance; the claimed invention cannot be considered to involve an inventive step when the document is combined with one or more other such documents, such combination being obvious to a person skilled in the art

"&amp;" document member of the same patent family

Date of the actual completion of the international search

27 SEPTEMBER 2012 (27.09.2012)

Date of mailing of the international search report

**28 SEPTEMBER 2012 (28.09.2012)**

Name and mailing address of the ISA/KR

Korean Intellectual Property Office  
189 Cheongsa-ro, Seo-gu, Daejeon Metropolitan  
City, 302-701, Republic of Korea

Facsimile No. 82-42-472-7140

Authorized officer

KANG, HEE GOK

Telephone No. 82-42-481-8264



## INTERNATIONAL SEARCH REPORT

Information on patent family members

International application No.

**PCT/US2012/031922**

Patent document cited in search report	Publication date	Patent family member(s)	Publication date
US 6280443 B1	28.08.2001	AT 278361 T	15.10.2004
		DE 60014462 D1	11.11.2004
		DE 60014462 T2	18.05.2006
		EP 1023873 A2	02.08.2000
		EP 1023873 B1	06.10.2004
		ES 2228310 T3	16.04.2005
		KR 10-0324698 B1	27.02.2002
		KR 10-2000-0052241 A	16.08.2000
		US 05743907 A	28.04.1998
EP 0468264 B1	10.09.1997		
JP 06-038978 A	15.02.1994		
JP 07-063485 B2	12.07.1995		
KR 10-1994-0010075 B1	21.10.1994		
US 05129900 A	14.07.1992		
US 05312404 A	17.05.1994		
US 05743907 A	28.04.1998		
US 06080156 A	27.06.2000		
US 5129900 B1	29.12.1998		
US 05814046 A	29.09.1998		
		EP 0668750 A1	07.08.2002
		JP 03737825 B2	25.01.2006
		JP 08-505785 A	25.06.1996
		KR 10-1995-0703899 A	17.11.1995
		WO 94-10928 A1	26.05.1994
US 05545164 A	13.08.1996	EP 0608623 A1	03.08.1994
		JP 06-218003 A	09.08.1994
		US 05653708 A	05.08.1997
		WO 95-31147 A1	23.11.1995
US 7314467 B2	01.01.2008	US 2002-0173789 A1	21.11.2002
		US 2002-0173791 A1	21.11.2002
		US 2004-0092934 A1	13.05.2004
		US 2004-0243128 A1	02.12.2004
		US 2005-0216005 A1	29.09.2005
		US 2006-0064092 A1	23.03.2006
		US 6478798 B1	12.11.2002
		US 6770075 B2	03.08.2004
		WO 2005-044120 A1	19.05.2005
		WO 2006-017253 A2	16.02.2006
		WO 2007-027934 A2	08.03.2007