



US00D888474S

(12) **United States Design Patent**
Li

(10) **Patent No.:** **US D888,474 S**

(45) **Date of Patent:** **** Jun. 30, 2020**

(54) **JEWELRY ORGANIZER**

(71) Applicant: **SHENZHENSHI HONGYUE KEJI**
YOUXIANGONGSI, Shenzhen (CN)

(72) Inventor: **Hongchao Li, Shenzhen (CN)**

(73) Assignee: **SHENZHENSHI HONGYUE KEJI**
YOUXIANGONGSI, Shenzhen (CN)

(**) Term: **15 Years**

(21) Appl. No.: **29/727,611**

(22) Filed: **Mar. 12, 2020**

(51) **LOC (12) Cl.** **06-06**

(52) **U.S. Cl.**
USPC **D6/682.6**

(58) **Field of Classification Search**
USPC D6/672, 675, 675.1, 678, 678.1, 680.2,
D6/681, 681.1, 682, 682.5, 682.6
CPC .. A47F 5/04; A47F 5/0876; A47F 7/00; A47F
7/02; A47F 5/10
See application file for complete search history.

(56) **References Cited**

U.S. PATENT DOCUMENTS

3,424,313	A *	1/1969	Feibelman	A47F 5/04 211/85.2
D332,881	S *	2/1993	Blackburn	D19/82
D333,559	S *	3/1993	Rowley	D3/25
D336,574	S *	6/1993	Rhodes	D6/681.3
5,568,872	A *	10/1996	Hinnant, Sr.	A47F 7/021 211/85.1
D396,363	S *	7/1998	Skrum	D6/682.2
D458,770	S *	6/2002	Walter	D6/681.1

D459,106	S *	6/2002	Walter	D6/681.1
D467,094	S *	12/2002	Bodzioch	D6/682
D483,203	S	12/2003	Dennig	
D496,191	S *	9/2004	Johnson	D6/681.3
D563,694	S *	3/2008	Mitchell	D6/682.6
D584,536	S	1/2009	Tseng	
D610,367	S *	2/2010	Mandel	D19/77
D655,530	S *	3/2012	Denby	D6/681.1
9,107,514	B1 *	8/2015	Morieras	A47F 7/02
D761,601	S *	7/2016	Simmons	D6/681
D762,403	S *	8/2016	Williams	D6/681.1
10,092,116	B1 *	10/2018	Johns	A47F 7/022
D848,187	S *	5/2019	Lee	D6/681.1

* cited by examiner

Primary Examiner — Kelley A Donnelly

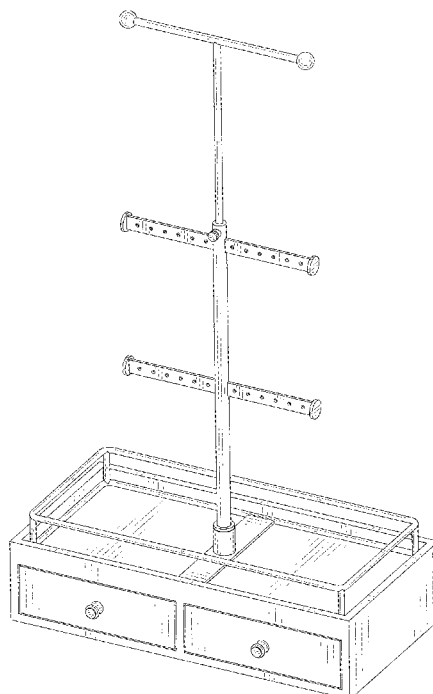
(57) **CLAIM**

The ornamental design for a jewelry organizer, as shown and described.

DESCRIPTION

FIG. 1 is a perspective view of a jewelry organizer showing my new design;
 FIG. 2 is another perspective view thereof;
 FIG. 3 is a front elevational view thereof;
 FIG. 4 is a rear elevational view thereof;
 FIG. 5 is a left side elevational view thereof;
 FIG. 6 is a right side elevational view thereof;
 FIG. 7 is a top plan view thereof;
 FIG. 8 is a bottom plan view thereof; and,
 FIG. 9 is a perspective view of the jewelry organizer where the jewelry organizer is in a configuration of use.
 The broken lines in the drawings depict boundaries of the jewelry organizer that form no part of the claimed design.

1 Claim, 9 Drawing Sheets



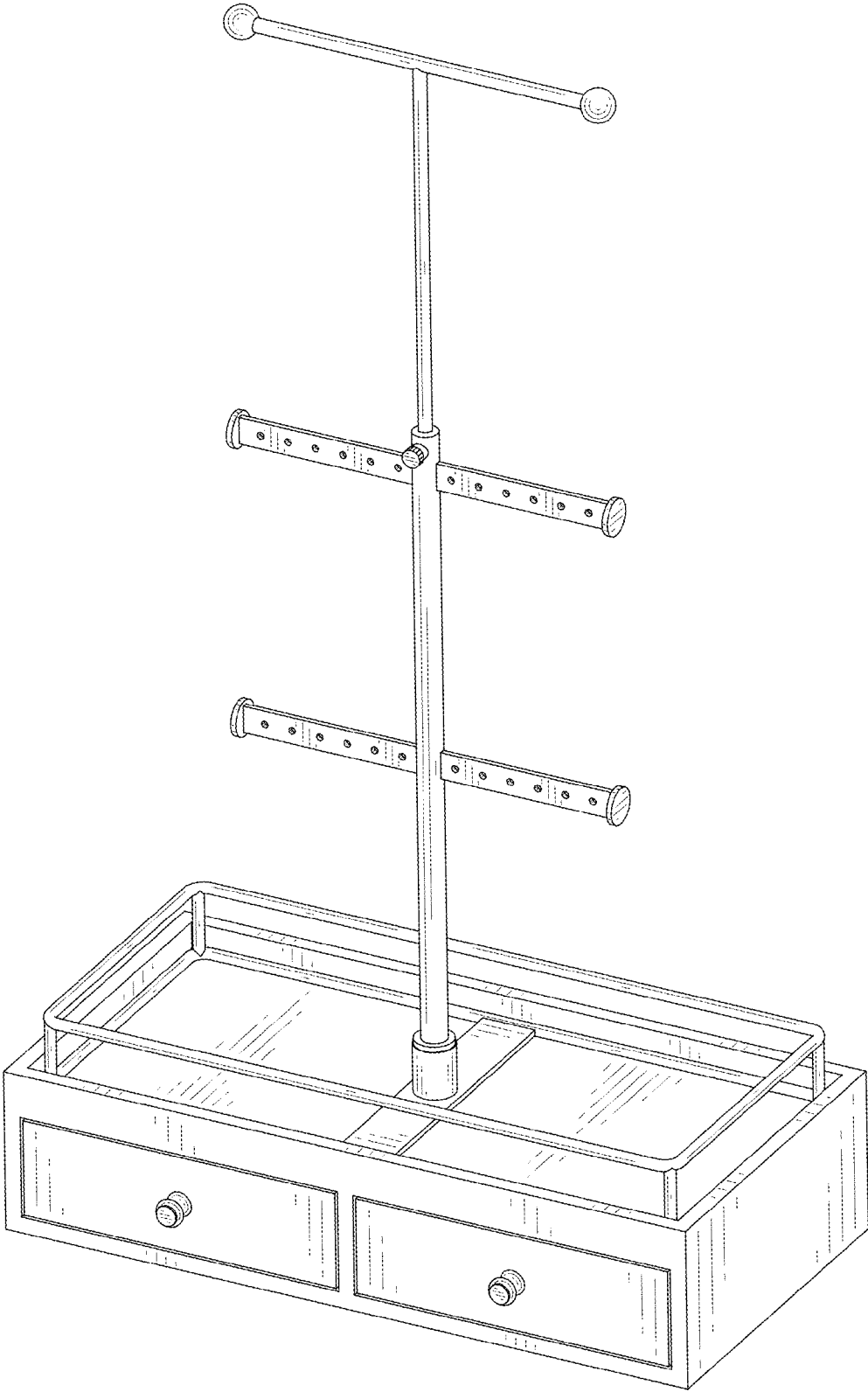


FIG. 1

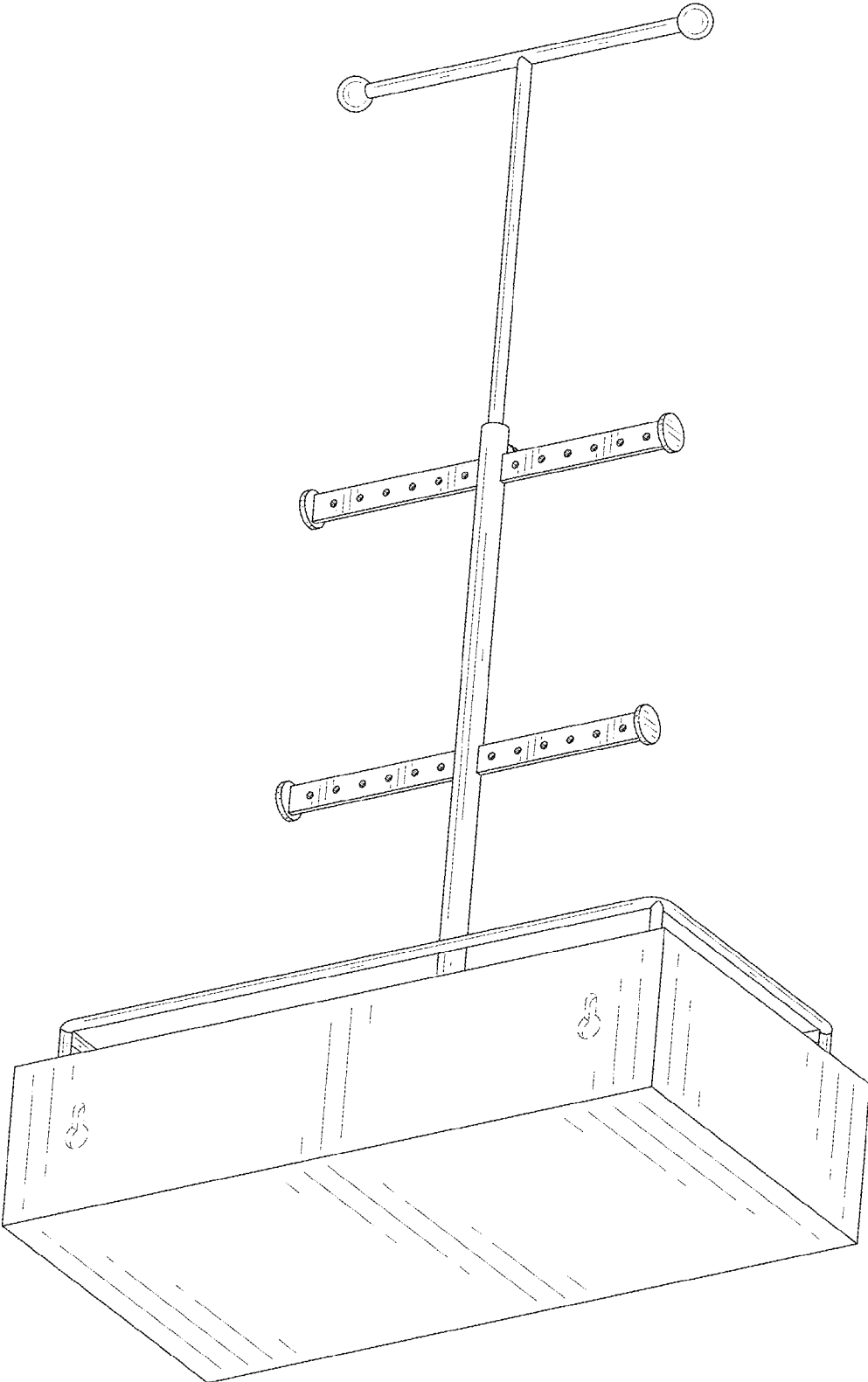


FIG. 2

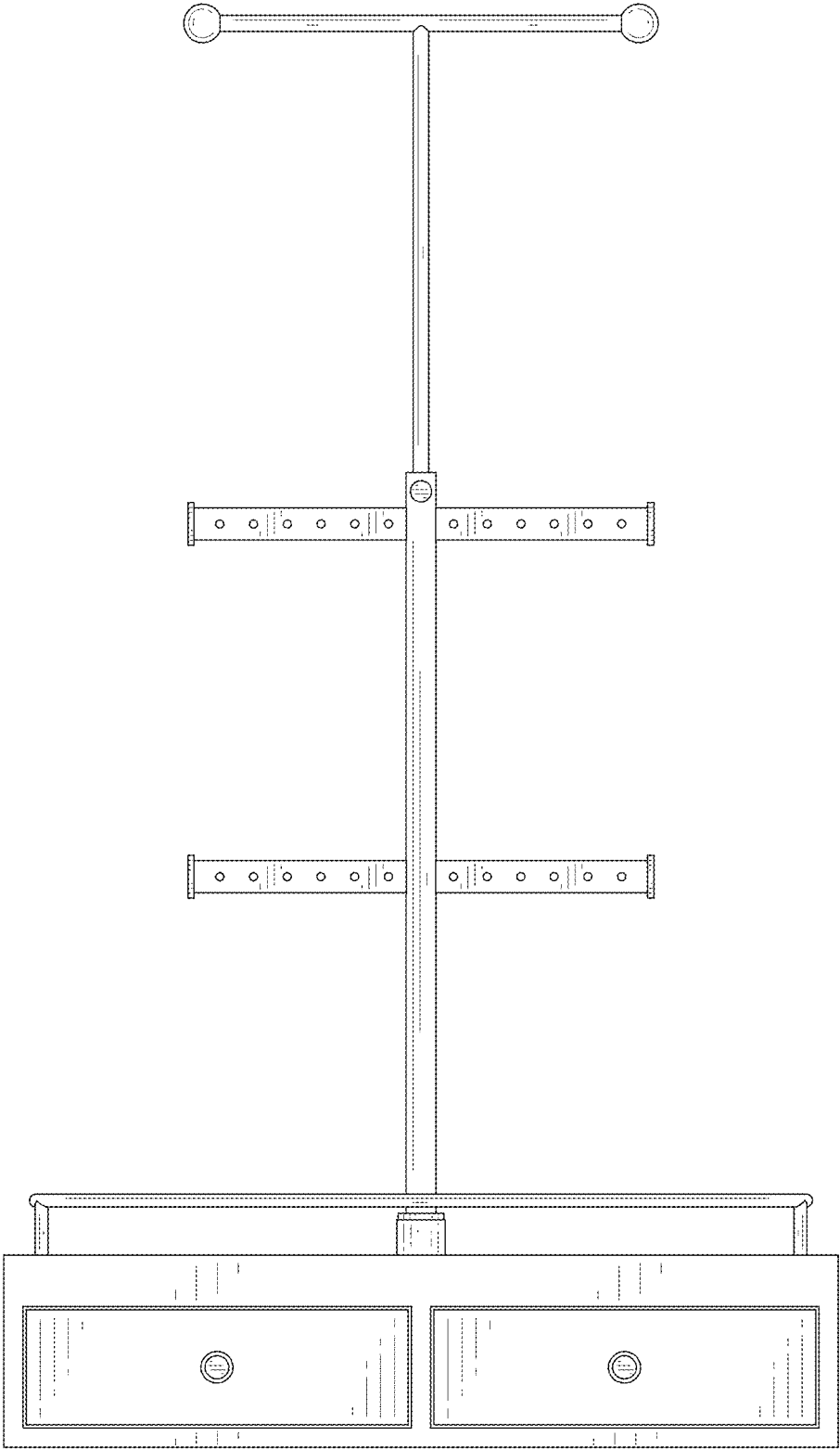


FIG. 3

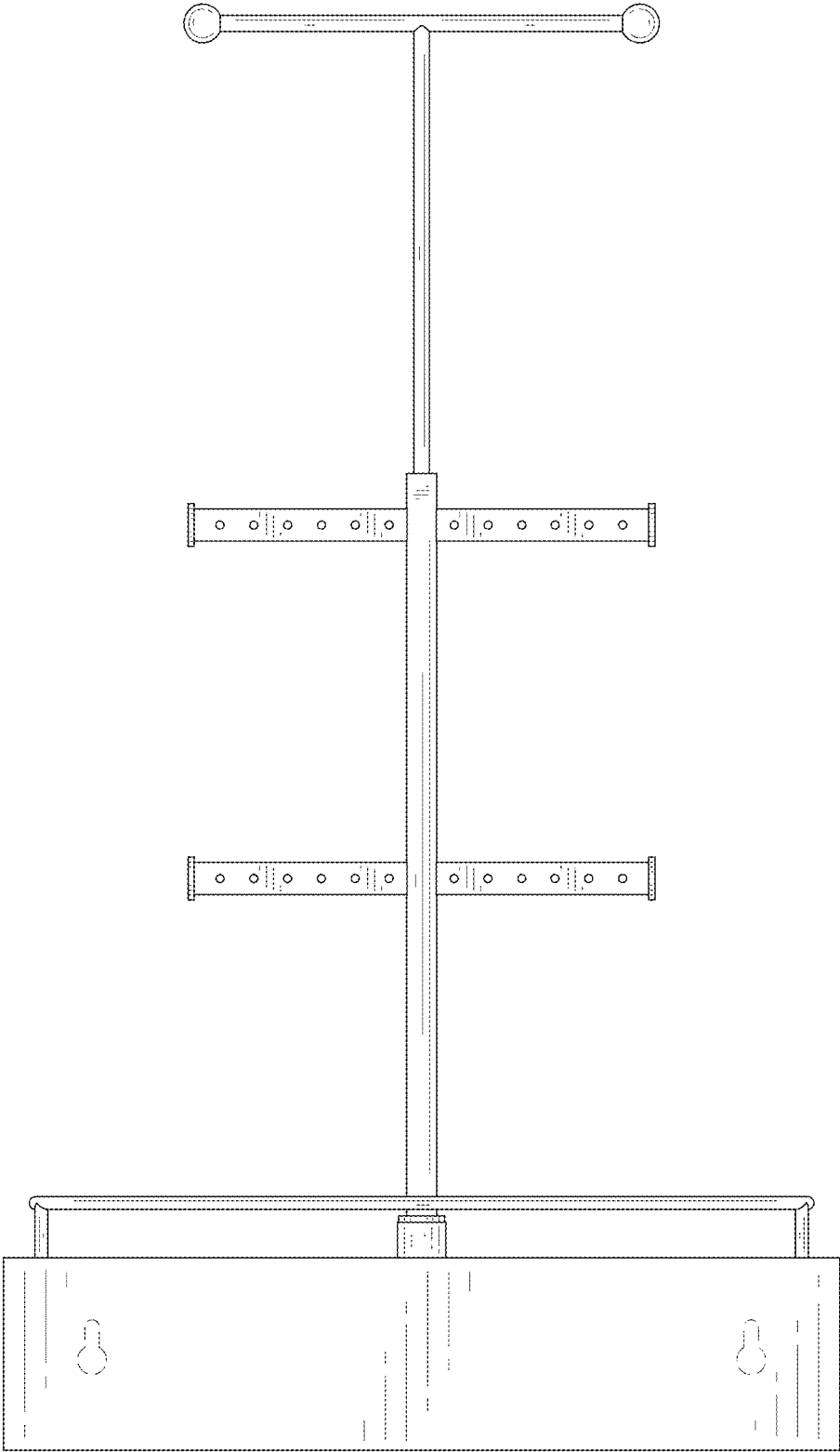


FIG. 4

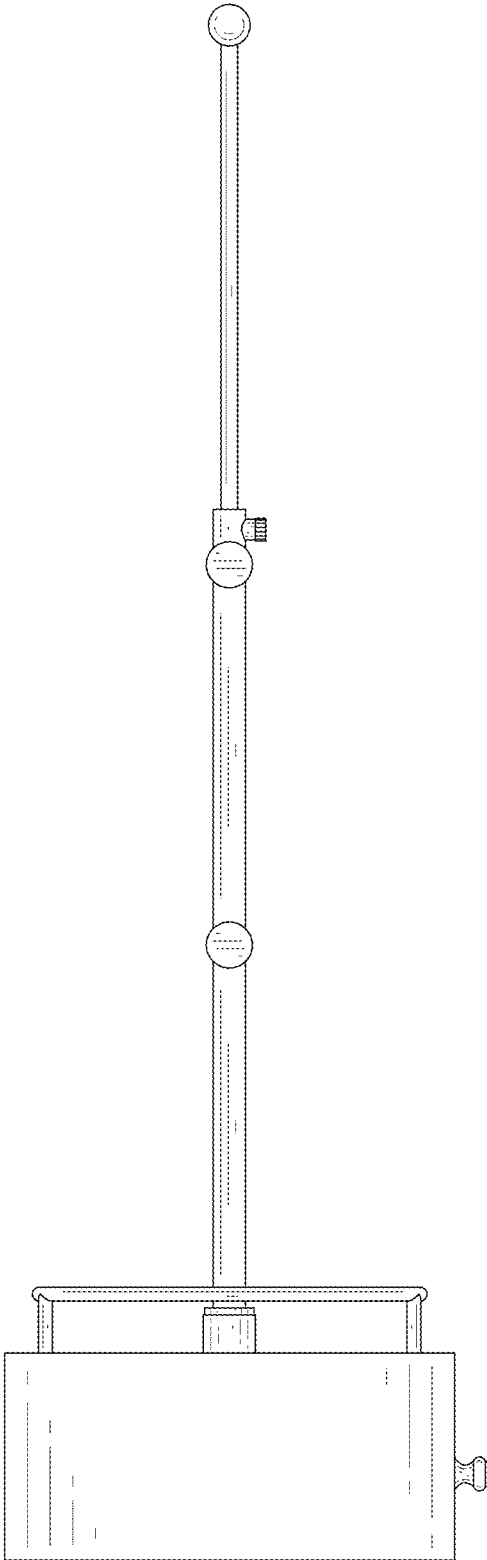


FIG. 5

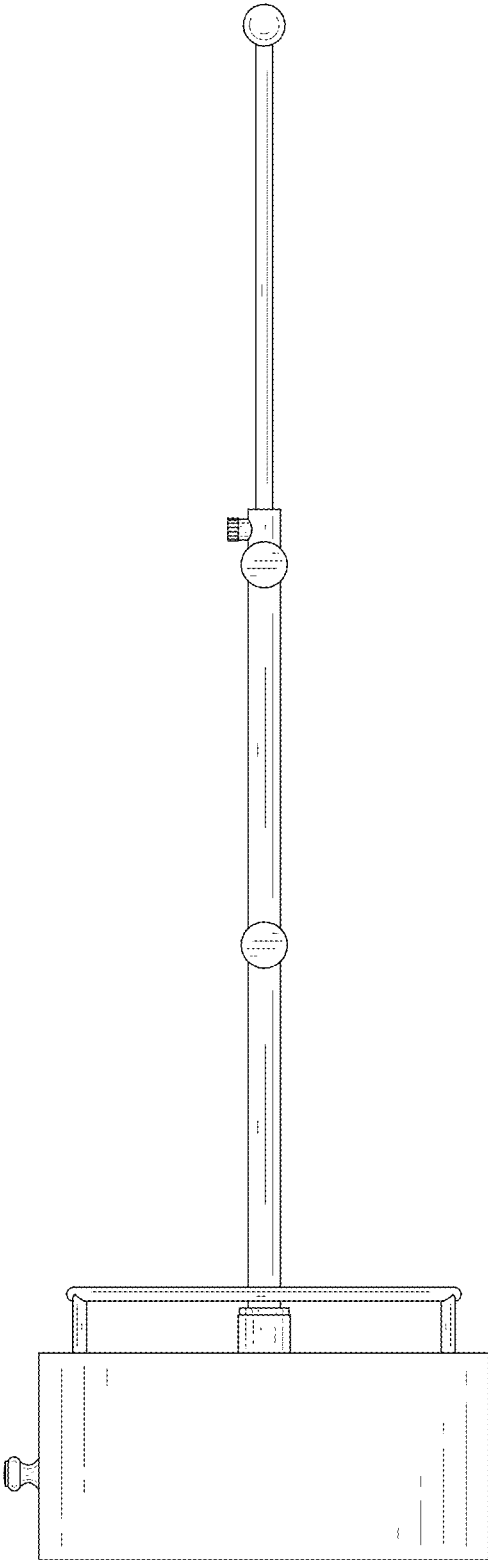


FIG. 6

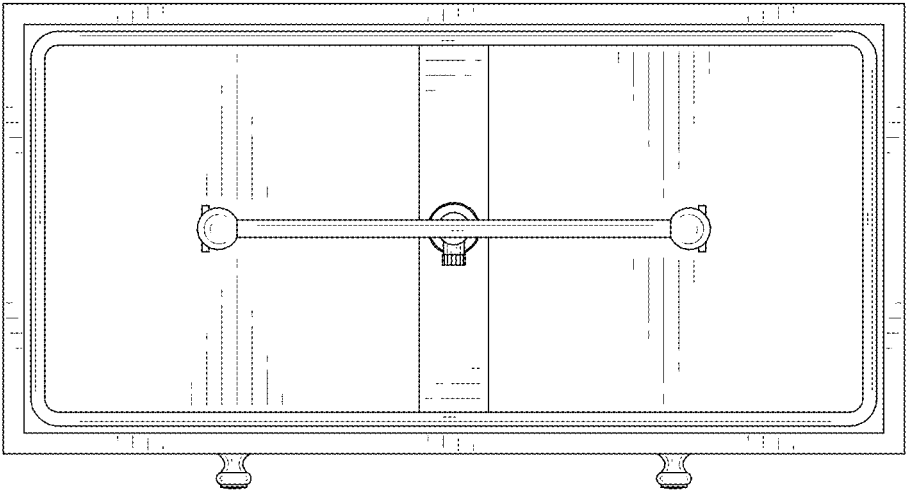


FIG. 7

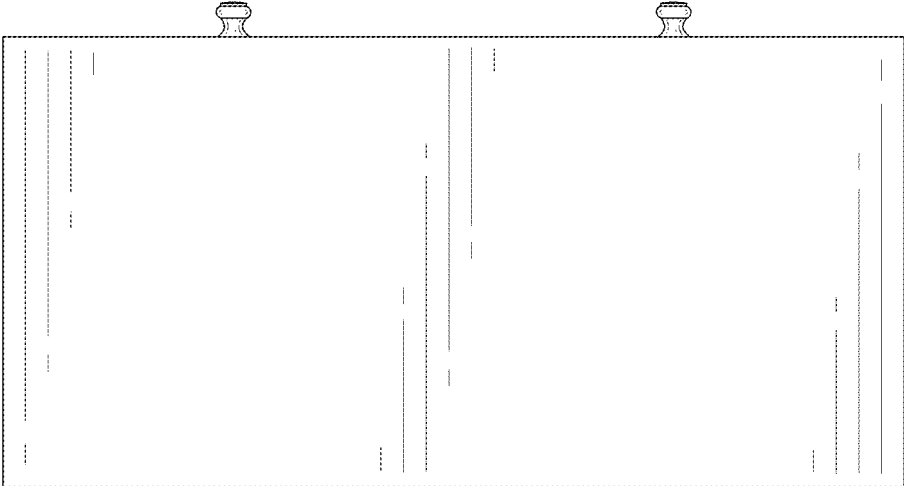


FIG. 8

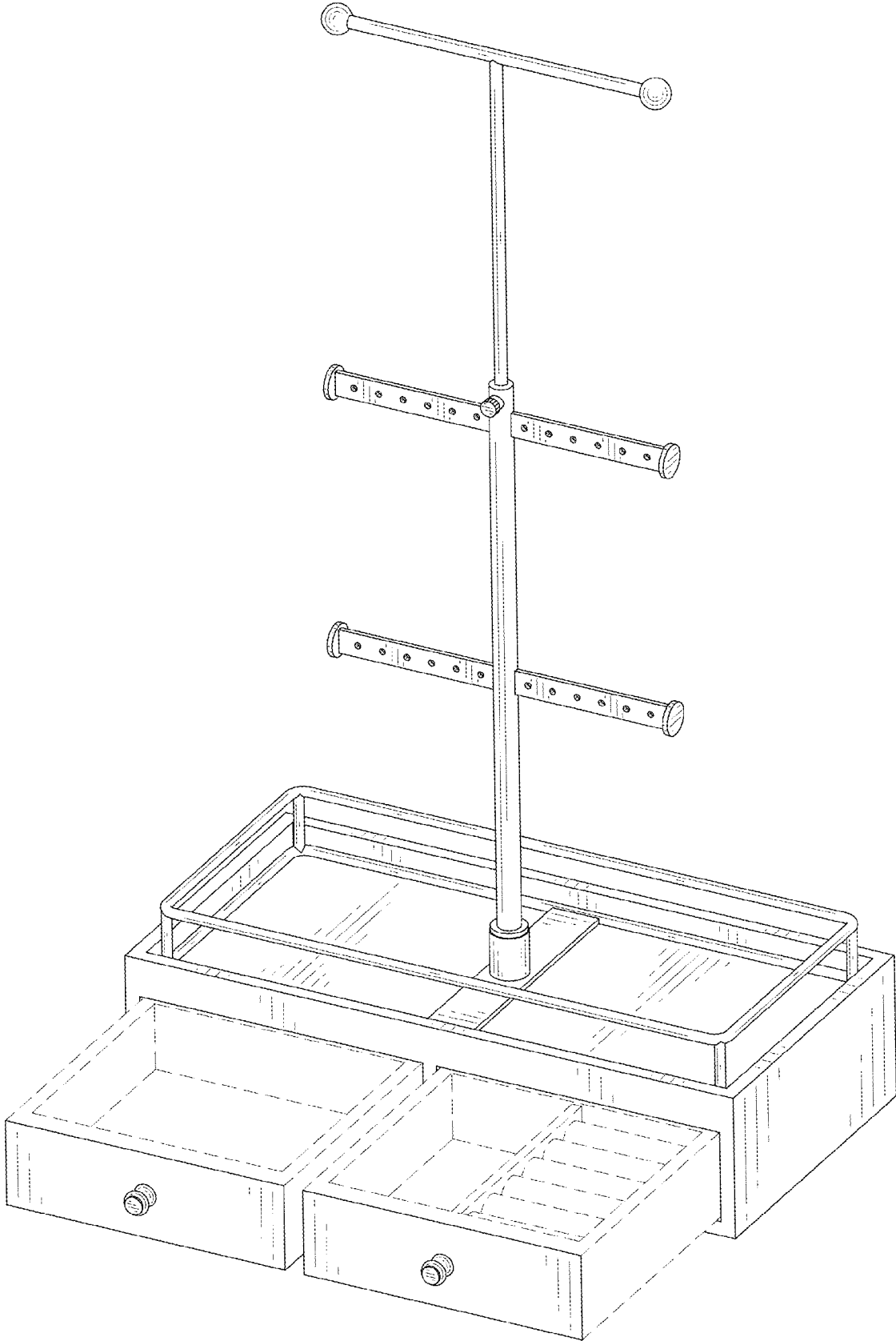


FIG. 9