



- (51) International Patent Classification:  
*G06F 19/00* (2011.01)    *A61B 5/00* (2006.01)
  - (21) International Application Number:  
PCT/IB2011/054773
  - (22) International Filing Date:  
26 October 2011 (26.10.2011)
  - (25) Filing Language: English
  - (26) Publication Language: English
  - (30) Priority Data:  
61/407,563    28 October 2010 (28.10.2010)    US  
61/410,055    4 November 2010 (04.11.2010)    US
  - (71) Applicant (for all designated States except US): ENHANCED SURFACE DYNAMICS, INC. [US/US]; 42 Richland Road, Wellesley, Massachusetts 02481 (US).
  - (72) Inventors; and
  - (75) Inventors/Applicants (for US only): WEISS, Dan [IL/IL]; 19 Lilah Street, 47248 Ramat Hasharon (IL). POLIAK-INE-BARUCHI, Ruth [IL/IL]; 53 King David Avenue, Apt. 16, 64237 Tel Aviv (IL). BEN SHALOM, Amir [IL/IL]; 8 Mantur Street, 71706 Modiin (IL). GREENSTEIN, Lior [IL/IL]; 42 Hazohar Street, Apt. 4, 62914 Tel Aviv (IL). ASSULINE, Yonatan [IL/IL]; 29 Hameyasdim Street, 76965 Kfar Bilu (IL). RAAB, Itai [IL/IL]; 4 Zoran Street, 45046 Hod Hasharon (IL). BEN DAVID, Boaz [IL/IL]; 40 Agripas Street, Apt. 5, 94301 Jerusalem (IL). REMEZ, Tal [IL/IL]; 27 Elmaliah Street, 93341 Jerusalem (IL). AVERBUCH, Gusti [IL/IL]; 10 Dafna Street, 71705 Modiin (IL). ZARITZKY, Efrat [IL/IL]; 79 Haim Levanon Street, 69345 Tel Aviv (IL).
  - (74) Agent: YAGOD MORRIS & ASSOCIATES LTD.; 47 Yigal Yadin Street, Apt. 52, Dimri Towers, 71720 Modiin (IL).
  - (81) Designated States (unless otherwise indicated, for every kind of national protection available): AE, AG, AL, AM, AO, AT, AU, AZ, BA, BB, BG, BH, BR, BW, BY, BZ, CA, CH, CL, CN, CO, CR, CU, CZ, DE, DK, DM, DO, DZ, EC, EE, EG, ES, FI, GB, GD, GE, GH, GM, GT, HN, HR, HU, ID, IL, IN, IS, JP, KE, KG, KM, KN, KP, KR, KZ, LA, LC, LK, LR, LS, LT, LU, LY, MA, MD, ME, MG, MK, MN, MW, MX, MY, MZ, NA, NG, NI, NO, NZ, OM, PE, PG, PH, PL, PT, QA, RO, RS, RU, RW, SC, SD, SE, SG, SK, SL, SM, ST, SV, SY, TH, TJ, TM, TN, TR, TT, TZ, UA, UG, US, UZ, VC, VN, ZA, ZM, ZW.
  - (84) Designated States (unless otherwise indicated, for every kind of regional protection available): ARIPO (BW, GH, GM, KE, LR, LS, MW, MZ, NA, RW, SD, SL, SZ, TZ, UG, ZM, ZW), Eurasian (AM, AZ, BY, KG, KZ, MD, RU, TJ, TM), European (AL, AT, BE, BG, CH, CY, CZ, DE, DK, EE, ES, FI, FR, GB, GR, HR, HU, IE, IS, IT, LT, LU, LV, MC, MK, MT, NL, NO, PL, PT, RO, RS, SE, SI, SK, SM, TR), OAPI (BF, BJ, CF, CG, CI, CM, GA, GN, GQ, GW, ML, MR, NE, SN, TD, TG).
- Published:**
- with international search report (Art. 21(3))
  - before the expiration of the time limit for amending the claims and to be republished in the event of receipt of amendments (Rule 48.2(h))
- (88) Date of publication of the international search report:  
2 August 2012

(54) Title: PRESSURE SENSOR ASSEMBLY AND ASSOCIATED METHOD FOR PREVENTING THE DEVELOPMENT OF PRESSURE INJURIES

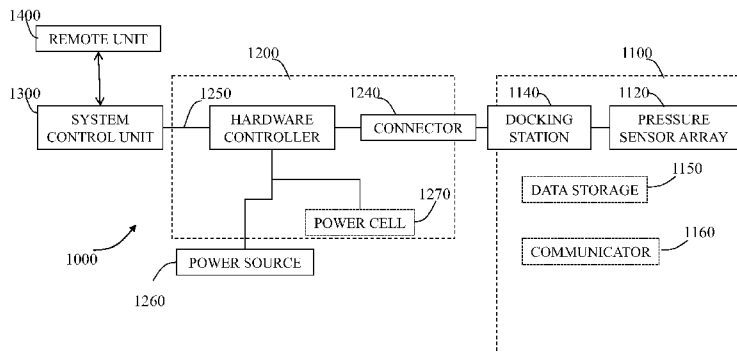


FIG. 1B

(57) Abstract: A pressure wound prevention system comprising at least one management device which comprises at least one user input apparatus, at least one output mechanism, at least one data input for connecting with a pressure sensor assembly and a processor configured to measure elapsed time, to receive pressure data from the data input and to present an output via the output mechanism. The system may be modular. A method for preventing the development of pressure wounds of a subject is also presented.

WO 2012/056405 A3

INTERNATIONAL SEARCH REPORT

International application No  
PCT/IB2011/054773

A. CLASSIFICATION OF SUBJECT MATTER  
INV. G06F19/00 A61B5/00  
ADD.

According to International Patent Classification (IPC) or to both national classification and IPC

B. FIELDS SEARCHED

Minimum documentation searched (classification system followed by classification symbols)  
G06F A61B

Documentation searched other than minimum documentation to the extent that such documents are included in the fields searched

Electronic data base consulted during the international search (name of data base and, where practicable, search terms used)

EPO-Internal, WPI Data

C. DOCUMENTS CONSIDERED TO BE RELEVANT

| Category* | Citation of document, with indication, where appropriate, of the relevant passages   | Relevant to claim No. |
|-----------|--|-----------------------|
| X         | WO 2009/065109 A1 (STRYKER CORP [US]; ELLIOT DERICK [US]; MORENO DAVID [CA]; PLANTE MARTI) 22 May 2009 (2009-05-22)<br>page 1, line 19 - page 4, line 11<br>page 9, lines 22-26<br>page 13, line 15 - page 16, line 11<br>page 19, lines 10-27<br>page 23, line 17 - page 24, line 21<br>page 26, line 30 - page 27, line 1<br>page 34, line 21 - page 35, line 19<br>figures 1,2, 32,54 | 1-33,45,<br>49-60     |
| X         | -----<br>US 2006/065060 A1 (ITO EIICHI [JP] ET AL)<br>30 March 2006 (2006-03-30)<br>figures 13,15,17<br>paragraphs [0038] - [0097]<br>-----  | 1-33,45,<br>49-60     |

Further documents are listed in the continuation of Box C.  See patent family annex.

\* Special categories of cited documents :

"A" document defining the general state of the art which is not considered to be of particular relevance

"E" earlier application or patent but published on or after the international filing date

"L" document which may throw doubts on priority claim(s) or which is cited to establish the publication date of another citation or other special reason (as specified)

"O" document referring to an oral disclosure, use, exhibition or other means

"P" document published prior to the international filing date but later than the priority date claimed

"T" later document published after the international filing date or priority date and not in conflict with the application but cited to understand the principle or theory underlying the invention

"X" document of particular relevance; the claimed invention cannot be considered novel or cannot be considered to involve an inventive step when the document is taken alone

"Y" document of particular relevance; the claimed invention cannot be considered to involve an inventive step when the document is combined with one or more other such documents, such combination being obvious to a person skilled in the art

"&" document member of the same patent family

|   |  |
|---|--|
| Date of the actual completion of the international search | Date of mailing of the international search report |
| 22 March 2012   | 15/06/2012   |

|  |  |
|--|--|
| Name and mailing address of the ISA/<br>European Patent Office, P.B. 5818 Patentlaan 2<br>NL - 2280 HV Rijswijk<br>Tel. (+31-70) 340-2040,<br>Fax: (+31-70) 340-3016 | Authorized officer<br><br>Philips, Petra |
|--|--|

# INTERNATIONAL SEARCH REPORT

International application No.  
PCT/IB2011/054773

## Box No. II Observations where certain claims were found unsearchable (Continuation of item 2 of first sheet)

This international search report has not been established in respect of certain claims under Article 17(2)(a) for the following reasons:

1.  Claims Nos.:  
because they relate to subject matter not required to be searched by this Authority, namely:
  
2.  Claims Nos.:  
because they relate to parts of the international application that do not comply with the prescribed requirements to such an extent that no meaningful international search can be carried out, specifically:
  
3.  Claims Nos.:  
because they are dependent claims and are not drafted in accordance with the second and third sentences of Rule 6.4(a).

## Box No. III Observations where unity of invention is lacking (Continuation of item 3 of first sheet)

This International Searching Authority found multiple inventions in this international application, as follows:

see additional sheet

1.  As all required additional search fees were timely paid by the applicant, this international search report covers all searchable claims.
  
2.  As all searchable claims could be searched without effort justifying an additional fees, this Authority did not invite payment of additional fees.
  
3.  As only some of the required additional search fees were timely paid by the applicant, this international search report covers only those claims for which fees were paid, specifically claims Nos.:
  
4.  No required additional search fees were timely paid by the applicant. Consequently, this international search report is restricted to the invention first mentioned in the claims; it is covered by claims Nos.:

1-33, 45, 49-60

### Remark on Protest

- The additional search fees were accompanied by the applicant's protest and, where applicable, the payment of a protest fee.
- The additional search fees were accompanied by the applicant's protest but the applicable protest fee was not paid within the time limit specified in the invitation.
- No protest accompanied the payment of additional search fees.

**FURTHER INFORMATION CONTINUED FROM PCT/ISA/ 210**

This International Searching Authority found multiple (groups of) inventions in this international application, as follows:

1. claims: 1-33, 45, 49-60

improved calculation of a patient risk for pressure wound  
---

2. claims: 34-44, 46-48

construction of a pressure sensor module  
---

# INTERNATIONAL SEARCH REPORT

Information on patent family members

International application No

PCT/IB2011/054773

| Patent document cited in search report | Publication date | Patent family member(s) | Publication date |
|--|------------------|-------------------------|------------------|
| WO 2009065109                          | A1               | 22-05-2009              |                  |
|  |                  | EP 2214616 A1           | 11-08-2010       |
|  |                  | US 2008172789 A1        | 24-07-2008       |
|  |                  | US 2011144548 A1        | 16-06-2011       |
|  |                  | WO 2009065109 A1        | 22-05-2009       |
| -----                                  |                  |                         |                  |
| US 2006065060                          | A1               | 30-03-2006              |                  |
|  |                  | DE 102005046486 A1      | 06-04-2006       |
|  |                  | JP 2006094903 A         | 13-04-2006       |
|  |                  | US 2006065060 A1        | 30-03-2006       |
| -----                                  |                  |                         |                  |