



US00D347613S

# United States Patent [19]

[11] Patent Number: **Des. 347,613**

Jeshurun et al.

[45] Date of Patent: **\*\* Jun. 7, 1994**

[54] <b>BICYCLE HANDLEBAR</b>	5,083,476 1/1992 Borromeo .....	D12/178
	5,159,851 11/1992 Rahmes .....	74/551.9
[75] Inventors: <b>David R. Jeshurun</b> , 952 Ridgedale, Birmingham, Mich. 48009; <b>Joseph Toth</b> , 2001 Burger, Dearborn, Mich. 48128	5,165,301 11/1992 Jeshurun et al. ....	74/551.1
	5,197,350 3/1993 Borromeo .....	74/551.1

[73] Assignees: **Weston W. Marsh; Vasanth Surath; David R. Jeshurun; Joseph Toth**

*Primary Examiner*—Wallace R. Burke  
*Assistant Examiner*—M. Brown  
*Attorney, Agent, or Firm*—Robert L. Marsh

[\*\*] Term: **14 Years**

[57] **CLAIM**

The ornamental design for a bicycle handlebar, as shown and described.

[21] Appl. No.: **1,852**

**DESCRIPTION**

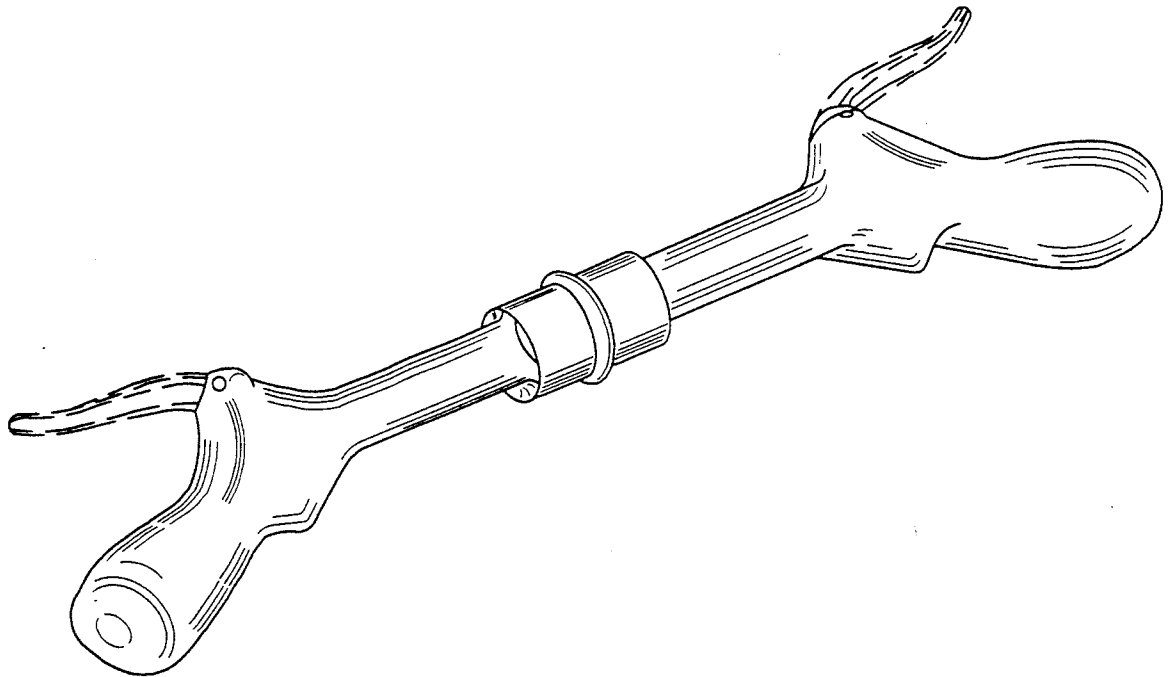
[22] Filed: **Nov. 24, 1992**  
 [52] U.S. Cl. .... **D12/178**  
 [58] Field of Search ..... 280/281.1, 288.1, 288.2,  
 280/288.3; 74/551.1, 551.8, 551.9; D12/178

FIG. 1 is a front elevational view of a bicycle handlebar showing our new design;  
 FIG. 2 is a top plan view thereof;  
 FIG. 3 is a rear elevational view thereof;  
 FIG. 4 is a bottom plan view thereof;  
 FIG. 5 is a left side elevational view thereof;  
 FIG. 6 is a right side elevational view thereof; and,  
 FIG. 7 is a perspective view thereof, the brake actuator handles shown in broken lines are for illustrative purposes only and form no part of the claimed design.

[56] **References Cited**

**U.S. PATENT DOCUMENTS**

D. 301,027	5/1989	Borromeo .....	D12/178
4,245,522	1/1981	Robinson .....	74/551.1
4,462,267	7/1984	Shimano .....	74/551.1



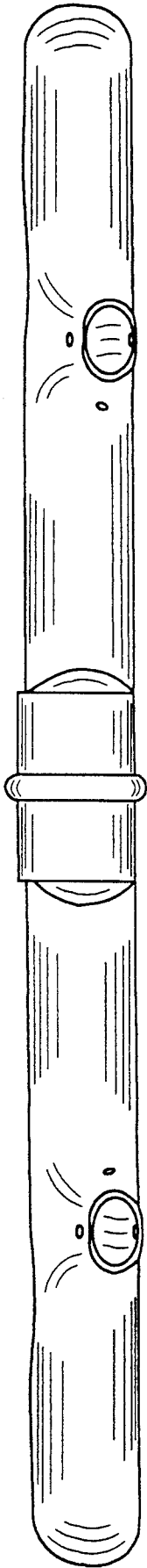


FIG. 1

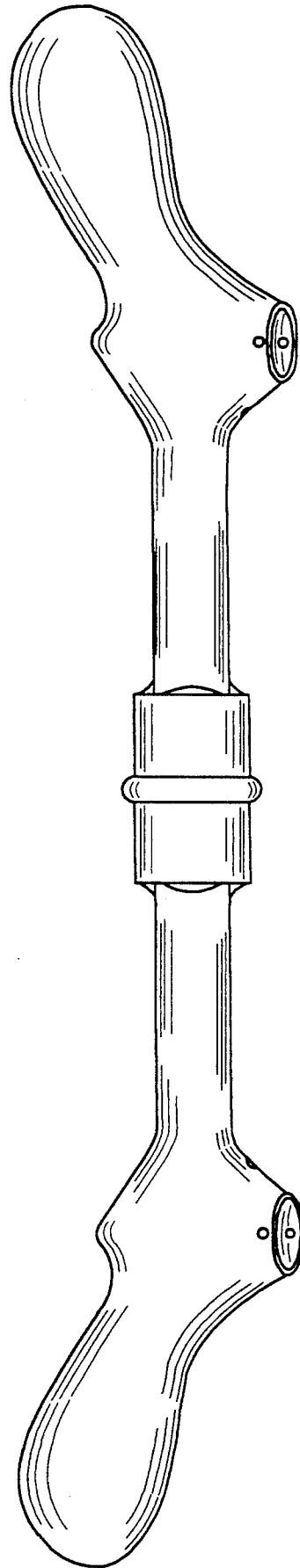


FIG. 4

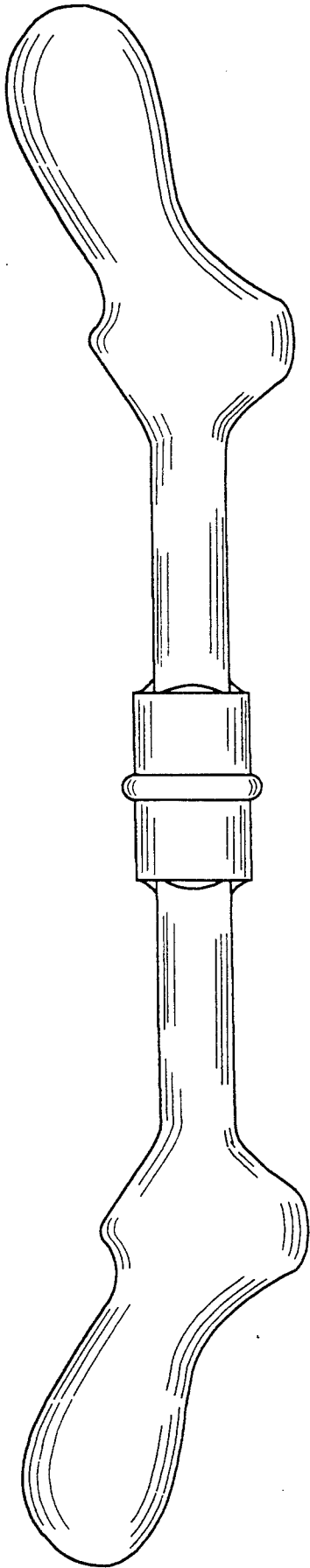


FIG. 2

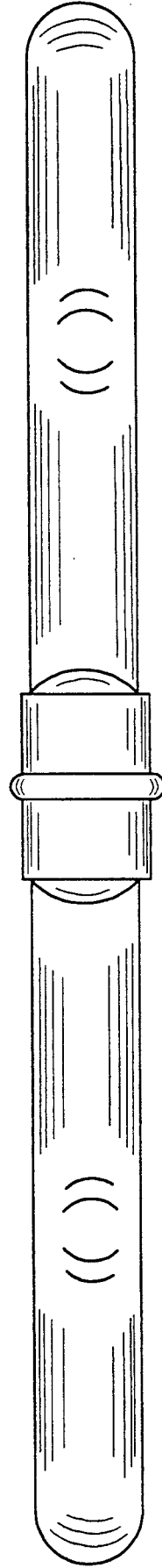


FIG. 3

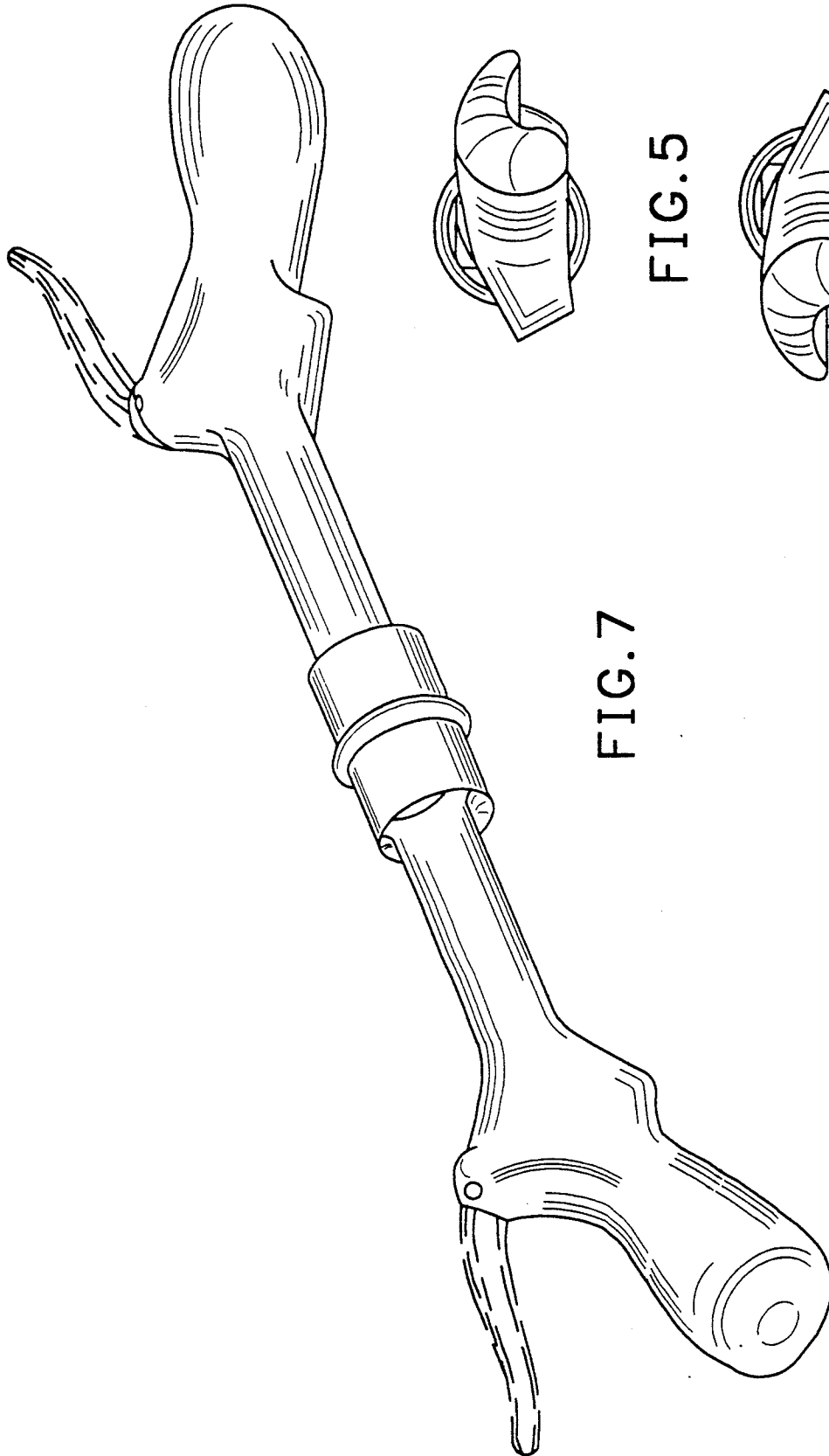


FIG. 7

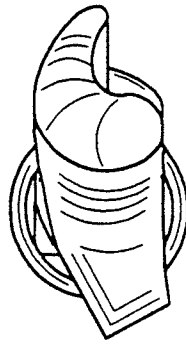


FIG. 5

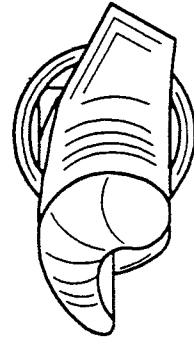


FIG. 6