



(51) International Patent Classification:

F01D 5/14 (2006.01) F04D 29/38 (2006.01)
F01D 5/18 (2006.01) F04D 29/58 (2006.01)
F02C 7/12 (2006.01)

(21) International Application Number:

PCT/US2014/013981

(22) International Filing Date:

31 January 2014 (31.01.2014)

(25) Filing Language:

English

(26) Publication Language:

English

(30) Priority Data:

61/760,795 5 February 2013 (05.02.2013) US

(71) Applicant: UNITED TECHNOLOGIES CORPORATION [US/US]; One Financial Plaza, Hartford, Connecticut 06101 (US).

(72) Inventors: BLAKE, Mosheshe Camara-Khary; 91 Elm Street, Apt. 219C, Manchester, Connecticut 06040 (US). OSBORNE, Lisa K.; 39 Buckland St., Apt. 312-1, Manchester, Connecticut 06042 (US). SLAVENS, Thomas N.; 16 Vernon Ave., Unit 54, Vernon, Connecticut 06066 (US).

(74) Agents: BARRETT, Todd W. et al.; Carlson, Gaskey & Olds, P.C./Pratt & Whitney, 400 W. Maple, Suite 350, Birmingham, MI 48009 (US).

(81) Designated States (unless otherwise indicated, for every kind of national protection available): AE, AG, AL, AM,

AO, AT, AU, AZ, BA, BB, BG, BH, BN, BR, BW, BY, BZ, CA, CH, CL, CN, CO, CR, CU, CZ, DE, DK, DM, DO, DZ, EC, EE, EG, ES, FI, GB, GD, GE, GH, GM, GT, HN, HR, HU, ID, IL, IN, IR, IS, JP, KE, KG, KN, KP, KR, KZ, LA, LC, LK, LR, LS, LT, LU, LY, MA, MD, ME, MG, MK, MN, MW, MX, MY, MZ, NA, NG, NI, NO, NZ, OM, PA, PE, PG, PH, PL, PT, QA, RO, RS, RU, RW, SA, SC, SD, SE, SG, SK, SL, SM, ST, SV, SY, TH, TJ, TM, TN, TR, TT, TZ, UA, UG, US, UZ, VC, VN, ZA, ZM, ZW.

(84) Designated States (unless otherwise indicated, for every kind of regional protection available): ARIPO (BW, GH, GM, KE, LR, LS, MW, MZ, NA, RW, SD, SL, SZ, TZ, UG, ZM, ZW), Eurasian (AM, AZ, BY, KG, KZ, RU, TJ, TM), European (AL, AT, BE, BG, CH, CY, CZ, DE, DK, EE, ES, FI, FR, GB, GR, HR, HU, IE, IS, IT, LT, LU, LV, MC, MK, MT, NL, NO, PL, PT, RO, RS, SE, SI, SK, SM, TR), OAPI (BF, BJ, CF, CG, CL, CM, GA, GN, GQ, GW, KM, ML, MR, NE, SN, TD, TG).

Published:

- with international search report (Art. 21(3))
- before the expiration of the time limit for amending the claims and to be republished in the event of receipt of amendments (Rule 48.2(h))

(88) Date of publication of the international search report:

31 December 2014

(54) Title: GAS TURBINE ENGINE COMPONENT HAVING CURVED TURBULATOR

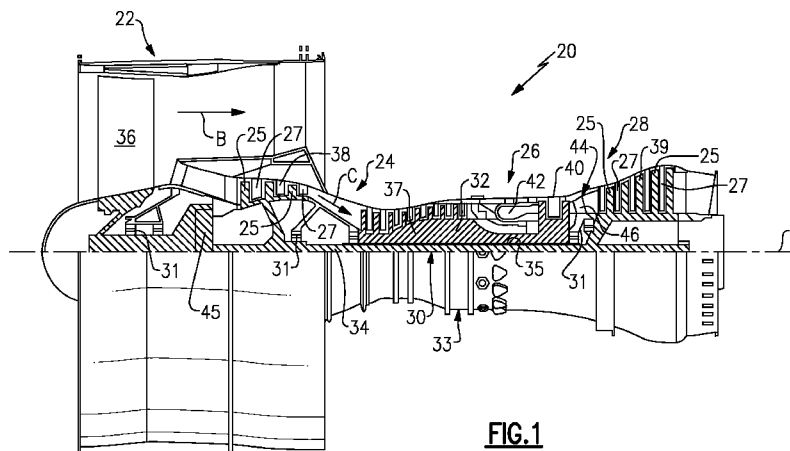


FIG. 1

(57) Abstract: A component for a gas turbine engine according to an exemplary aspect of the present disclosure includes, among other things, a wall that forms a portion of an outer periphery of at least one cavity and at least one curved turbulator that extends from said wall.



A. CLASSIFICATION OF SUBJECT MATTER**F01D 5/14(2006.01)i, F01D 5/18(2006.01)i, F02C 7/12(2006.01)i, F04D 29/38(2006.01)i, F04D 29/58(2006.01)i**

According to International Patent Classification (IPC) or to both national classification and IPC

B. FIELDS SEARCHED

Minimum documentation searched (classification system followed by classification symbols)

F01D 5/14; F01D 25/12; F01D 5/08; F04D 29/38; F01D 5/18; F02C 7/12; F04D 29/58

Documentation searched other than minimum documentation to the extent that such documents are included in the fields searched

Korean utility models and applications for utility models

Japanese utility models and applications for utility models

Electronic data base consulted during the international search (name of data base and, where practicable, search terms used)

eKOMPASS(KIPO internal) & keywords: turbine, vane, blade, airfoil, BOAS, wall, cavity, curved, and turbulator

C. DOCUMENTS CONSIDERED TO BE RELEVANT

Category*	Citation of document, with indication, where appropriate, of the relevant passages	Relevant to claim No.
X	US 6,554,571 B1 (LEE et al.) 29 April 2003 See column 5, line 1 - column 6, line 40; and figures 1-7.	1-7, 10-12, 17-20
Y		8-9, 13-16
Y	US 2009-0074575 A1 (PROPHETER-HINCKLEY et al.) 19 March 2009 See paragraphs [0029]-[0031]; and figures 3,5A.	8-9, 13-16
A	US 6,357,999 B1 (PEARCE et al.) 19 March 2002 See column 2, line 48 - column 3, line 52; and figure.	1-20
A	US 2009-0317234 A1 (ZAUSNER et al.) 24 December 2009 See paragraphs [0045]-[0047],[0066]-[0068]; and figures 1-5.	1-20
A	US 6,068,445 A (BEECK et al.) 30 May 2000 See column 3, lines 7-43; and figures 2-4.	1-20

 Further documents are listed in the continuation of Box C. See patent family annex.

* Special categories of cited documents:

"A" document defining the general state of the art which is not considered to be of particular relevance

"E" earlier application or patent but published on or after the international filing date

"L" document which may throw doubts on priority claim(s) or which is cited to establish the publication date of another citation or other special reason (as specified)

"O" document referring to an oral disclosure, use, exhibition or other means

"P" document published prior to the international filing date but later than the priority date claimed

"T" later document published after the international filing date or priority date and not in conflict with the application but cited to understand the principle or theory underlying the invention

"X" document of particular relevance; the claimed invention cannot be considered novel or cannot be considered to involve an inventive step when the document is taken alone

"Y" document of particular relevance; the claimed invention cannot be considered to involve an inventive step when the document is combined with one or more other such documents, such combination being obvious to a person skilled in the art

"&" document member of the same patent family

Date of the actual completion of the international search

10 November 2014 (10.11.2014)

Date of mailing of the international search report

10 November 2014 (10.11.2014)

Name and mailing address of the ISA/KR

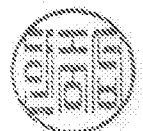
International Application Division
Korean Intellectual Property Office
189 Cheongsu-ro, Seo-gu, Daejeon Metropolitan City, 302-701,
Republic of Korea

Facsimile No. +82-42-472-7140

Authorized officer

HAN, Joong Sub

Telephone No. +82-42-481-5606



INTERNATIONAL SEARCH REPORT

Information on patent family members

International application No.

PCT/US2014/013981

Patent document cited in search report	Publication date	Patent family member(s)	Publication date
US 6554571 B1	29/04/2003	None	
US 2009-0074575 A1	19/03/2009	EP 1944467 A2 EP 1944467 A3 EP 1944467 B1 EP 2388437 A1 EP 2388437 B1 US 8757974 B2	16/07/2008 18/11/2009 03/08/2011 23/11/2011 16/01/2013 24/06/2014
US 6357999 B1	19/03/2002	DE 69909585 D1 DE 69909585 T2 EP 1013882 A2 EP 1013882 A3 EP 1013882 B1 GB 2345942 A GB 2345942 A8 GB 2345942 B GB 9828665 D0	21/08/2003 15/04/2004 28/06/2000 05/12/2001 16/07/2003 26/07/2000 25/03/2002 07/08/2002 17/02/1999
US 2009-0317234 A1	24/12/2009	CA 2668605 A1 DE 102009025960 A1 GB 0910051 D0 GB 2460936 A GB 2460936 B JP 05325664 B2 JP 2010-001889 A US 8210814 B2	18/12/2009 24/12/2009 22/07/2009 23/12/2009 28/11/2012 23/10/2013 07/01/2010 03/07/2012
US 6068445 A	30/05/2000	DE 59709195 D1 EP 0892149 A1 EP 0892149 B1	27/02/2003 20/01/1999 22/01/2003