

(19) World Intellectual Property Organization
International Bureau



(43) International Publication Date
20 September 2007 (20.09.2007)

PCT

(10) International Publication Number
WO 2007/104088 A1

(51) International Patent Classification:
A45C 11/26 (2006.01) A45C 7/00 (2006.01)

(21) International Application Number:
PCT/AU2007/000293

(22) International Filing Date: 9 March 2007 (09.03.2007)

(25) Filing Language: English

(26) Publication Language: English

(30) Priority Data:
2006901262 10 March 2006 (10.03.2006) AU
2006901263 10 March 2006 (10.03.2006) AU

(71) Applicant and

(72) Inventor: PACKER, David [AU/AU]; 104 Shoalhaven Street, Nowra, New South Wales 2541 (AU).

(74) Agent: PHILLIPS ORMONDE & FITZPATRICK; Level 21 & 22, 367 Collins Street, Melbourne, Victoria 3000 (AU).

(81) Designated States (unless otherwise indicated, for every kind of national protection available): AE, AG, AL, AM,

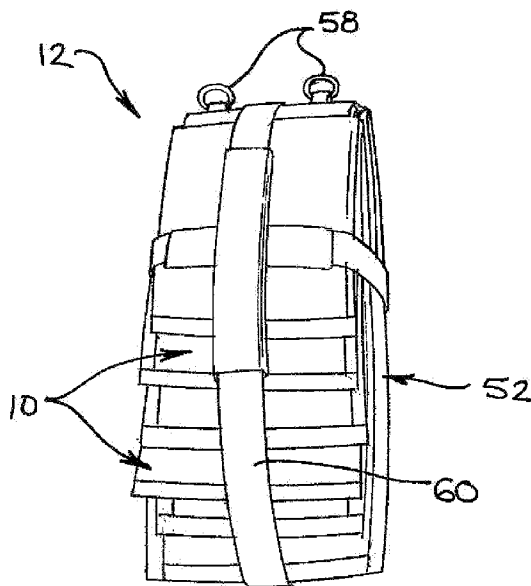
AT, AU, AZ, BA, BB, BG, BR, BW, BY, BZ, CA, CH, CN, CO, CR, CU, CZ, DE, DK, DM, DZ, EC, EE, EG, ES, FI, GB, GD, GE, GH, GM, GT, HN, HR, HU, ID, IL, IN, IS, JP, KE, KG, KM, KN, KP, KR, KZ, LA, LC, LK, LR, LS, LT, LU, LY, MA, MD, MG, MK, MN, MW, MX, MY, MZ, NA, NG, NI, NO, NZ, OM, PG, PH, PL, PT, RO, RS, RU, SC, SD, SE, SG, SK, SL, SM, SV, SY, TJ, TM, TN, TR, TT, TZ, UA, UG, US, UZ, VC, VN, ZA, ZM, ZW.

(84) Designated States (unless otherwise indicated, for every kind of regional protection available): ARIPO (BW, GH, GM, KE, LS, MW, MZ, NA, SD, SL, SZ, TZ, UG, ZM, ZW), Eurasian (AM, AZ, BY, KG, KZ, MD, RU, TJ, TM), European (AT, BE, BG, CH, CY, CZ, DE, DK, EE, ES, FI, FR, GB, GR, HU, IE, IS, IT, LT, LU, LV, MC, MT, NL, PL, PT, RO, SE, SI, SK, TR), OAPI (BF, BJ, CF, CG, CI, CM, GA, GN, GQ, GW, ML, MR, NE, SN, TD, TG).

Published:
— with international search report

For two-letter codes and other abbreviations, refer to the "Guidance Notes on Codes and Abbreviations" appearing at the beginning of each regular issue of the PCT Gazette.

(54) Title: PORTABLE STORAGE SYSTEM



(57) Abstract: A portable storage system is provided including at least one storage sheet, each storage sheet including a mounting area in which one or more individual items can be mounted. Each storage sheet further includes releasable attachment means for releasably mounting the storage sheet in a desired location or assembly. The storage system may further include a storage sheet holder including a flexible structure having releasable attachment means secured thereto to enable releasable mounting of one or more storage sheets.



WO 2007/104088 A1

PORTABLE STORAGE SYSTEM

Field of the Invention

The present invention generally relates to a portable storage system for storing, arranging and organising various items and accessories. In an exemplary application, the storage system is used for storing fishing accessories such as tackles, lures, hooks, traces and the like and it will be convenient to hereinafter disclose the invention in relation to that exemplary application. However, it is to be appreciated that the invention is not limited to that application and may have utility in various other applications including for example storage of sewing and needlework accessories, DIY hardware, jewellery, and the like.

Background of the Invention

The following discussion of the background to the invention is intended to facilitate an understanding of the invention. However, it should be appreciated that the discussion is not an acknowledgement or admission that any of the material referred to was published, known or part of the common general knowledge as at the priority date of this application.

The vast majority of fishing tackle boxes currently available on the market include a container which includes a plurality of compartments and trays in which various tackles, lures, hooks, traces can be stored. The various items are usually sorted into different groupings of similar sized or functionally similar items and these groups are placed in an individual compartment or tray in the tackle box. The items are usually loosely stored in the compartments and trays, with each item stacked or piled up within the compartment or on the tray. This current configuration has a number of disadvantages.

Firstly, due to the loose arrangement of the items stored within the tackle box, it is important that the tackle box is kept in a generally upright orientation. If the tackle box is bumped, dropped or accidentally inverted, the contents tend to move around within the box, move out of the compartments and/or mix. Secondly, the loose arrangement typically results in long or flexible items becoming tangled within the box.

Finally, most tackle boxes have a fixed configuration which cannot be easily reconfigured to customise the contents. Therefore, if a user has a number of different types of tackle, lures, traces, jigs or the like suited to different species of fish, the user must either have a large multipurpose box with each of the types of tackle intermixed, have a number of different tackle boxes for different types of fishing types, for example a box for trout and a box for ocean fish such as snapper and cod, or take a considerable amount of time to move individual items into and out of their tackle box to customise the box to their needs.

It would therefore be desirable to provide a portable storage system which overcomes or at least ameliorates one or more of the disadvantages of prior tackle management systems whilst also having utility for a range of unrelated applications.

Summary of the Invention

According to an aspect of the present invention, there is a portable storage system including:

at least one storage sheet, each storage sheet including a mounting area in which one or more individual items can be mounted;

each storage sheet further including releasable attachment means for releasably mounting the storage sheet in a desired location or assembly.

The storage sheets of the present invention therefore allow a user to individually mount items such as fishing tackle, lures, traces, hooks, sewing needles, threads or the like onto or within the mounting area of an individual sheet. Each item is easily visible and accessible and is preferably securely mounted within the sheet. The system can therefore be inverted, bumped or knocked and without disturbing the contents mounted on the sheets. Moreover, a user can mount particular groups or types of items on separate storage sheets.

The portable storage system of the present invention is modular in configuration allowing additional storage sheets to be added and/or removed to accommodate various types and numbers of items. The storage sheets may be releasably fastened together in any desirable configuration. Releasable attachment means are preferably provided on front and back faces of the

storage sheets to enable the storage sheets to be fastened together and/or mounted on various surfaces in different configurations.

In an embodiment, each storage sheet includes at least one hinge region including releasable attachment means for releasably mounting the storage sheet in a desired location or assembly. The releasable attachment means allows one or more storage sheets to be fastened together in various configurations and allows individual storage sheets to be releasably fastened in a variety of locations such as for instance, the back of a door, or in the cabin of a boat, etc.

Preferably, each storage sheet includes two hinge regions positioned on opposed edges of the storage sheet, each hinge region including releasable attachment means for releasably mounting the storage sheet in a desired location or assembly. This allows each sheet to be mounted by releasably securing the top and bottom of the storage sheet to mounting means, and also allows two or more storage sheets to be releasably fastened end-to-end, or on top of one another in a generally stacked arrangement.

Two or more storage sheets may be arranged in a generally stacked arrangement with each storage sheet substantially overlying another, the releasable attachment means fastening each storage sheet in an arrangement which allows each storage sheet fastened in the arrangement to be moved away from one or more adjacent storage sheets fastened in the arrangement and thereby expose the mounting area of the one or more adjacent storage sheets. The hinge region described earlier may provide a flexible region about which the storage sheets can be paged.

The storage sheets themselves can have a number of configurations. Each configuration is particularly adapted for a particular type of lure, tackle, trace or other fishing item but will also have utility in various other applications.

In one embodiment, the mounting area of the storage sheet includes resilient material. Preferably, the resilient material is a plastic based foam material, such as polyurethane foam (foam rubber), latex foam, Styrofoam or the like. The resilient material is preferably mounted on a plastic frame or framework. Preferably, the framework includes a rectangular shaped frame.

The resilient material is preferably deformable enough to allow certain portions of the lure, tackle, trace or other fishing item to be inserted through or

into the material. The item may include a fastening portion which can be inserted into the flexible sheets to mount at least one end of the item to the sheet. In this form, the resilient material is typically resilient enough to secure the portion inserted there through onto the sheet. However, if required, one or
5 more additional fasteners can be used to mount one or more items onto the mounting area. These additional fasteners ensure that the items are securely mounted on the storage sheets. These fasteners may comprise a strip, preferably a plastic strip. However, additional fastening strength can be obtained if the additional fastener includes an elasticised strip. In this form, the
10 elastic strip of the additional fastener can be stretched over the item, and therefore impart a biasing force onto the item.

The storage sheet can also include a notch on at least two opposed sides of the storage sheet. The notches can be of any shape or configuration such as circulate, square, serrated or the like. Preferably, the notch is of a V-
15 shaped configuration. These notches can be used as a guide around which a line or leader can be wound.

Preferably, the sheets are configured to protect items while securing to minimize damage to items in transit. For example, in one form of the invention, the storage sheet further includes a transparent layer to cover any items
20 mounted thereon. The transparent layer may be formed from any plastic material which is preferably see-through and sufficiently tough to prevent penetration by needles, hooks and the like.

In another embodiment, the flexible sheets include a mounting area having one or more compartments in which items can be stored. A number of
25 items can be stored within each compartment. However, for the sake of clarity and ease of use, it is preferable that only one item is stored in each compartment. This form of storage sheet preferably secures the items within the compartment.

Various forms of compartments are possible. However, one preferred
30 form of compartment is a pocket. Preferably, the mounting area includes a plastic sheet forming one or more pockets. In this form, the compartment is generally flat, and therefore assists in the stacking arrangement of a plurality of assembled storage sheets.

In an alternative embodiment, one or more of the compartments include a moulded receptacle. In some forms the receptacle has a moulded shape which conforms to the shape of the item to be stored in the receptacle.

While the portable storage system of the present invention could be used
5 with only one embodiment of the storage sheets described above, it is preferable that a combination of different types of storage sheets are used. The use of a number of different types of storage sheet provides a user with a number of options for storing a large variety of different types, sizes and design of items in the system.

10 In one form of the present invention, at least part of the storage sheet is formed from a buoyant material which can substantially float the items mounted thereon. This embodiment has particular application in the storage of fishing tackle and related accessories. A storage sheet which has been dropped in the water will be prevented from sinking by its inherent buoyancy, thereby
15 protecting the items mounted or otherwise stored in or on that sheet from being lost in the water.

Each storage sheet may be planar in form. The storage sheet may include a front surface and a rear surface. The mounting area comprises at least a part of the front or rear surface of the storage sheets, or alternatively,
20 may comprise part of the front and rear surfaces the storage sheet.

In an embodiment of the present invention, the portable storage system includes a storage sheet holder including a flexible structure having releasable attachment means secured thereto to enable releasable mounting of one or more storage sheets. The holder acts as an organiser for collating and securing
25 together the various storage sheets used to store a particular group of items and assemble them in an easy to manage and readily accessible fashion. The storage sheet holder may include means for vertically mounting the storage sheet holder complete with sheets, i.e. for hanging on a wall, door, or the like. Alternatively, or in addition, the storage sheet holder may include one or more
30 straps for securing any storage sheets mounted thereon. Fastening of the strap or straps also prevents the various storage sheets moving away from the preferred stacked arrangement for storage or transport.

The storage sheet holder can be releasably mounted at any desired location. This allows the storage system to be moved from one location, for

example a bench, shed or cupboard, to a second location, for example a tackle box, portable container bag or boat. For example, a first storage sheet holder can be used to store a number of storage sheets having an array of different items, a second storage sheet holder can then be loaded with a customised selection of storage sheets selected for a particular purpose.

The storage sheet holder may be placed in a bag for transport. Suitable containers include bags, backpacks, attachés, briefcases, boxes, carry-ons, carryalls, cases, diddies, duffels, gears, grub-bags, handbags, haversacks, holdalls, kits, knapsacks, packs, pocketbooks, pokes, pouches, purses, rucksacks, sacs, sacks, saddlebags, satchels, suitcases, totes or the like. This allows the storage system of the present invention to be more easily carried by a user to a location of use such as a fishing location on the rocks, lake, stream, boat or the like. In a preferred embodiment, the container includes a backpack.

The storage sheets of the present invention may include at least one fastening aperture. It is preferable that the fastening aperture is located proximate to at least one edge of a storage sheet. More preferably, the fastening aperture is located at a position located proximate to the general centre of an edge of the sheet. Each fastening aperture is adapted to receive there through the arm of a fastening device. The fastening device may be any suitable fastening device having a insertion body which is capable of releasably fastening two or more storage sheets together through the one or more fastening apertures, e.g. a simple binder ring, or a lever arch type bracket. This type of fastening device allows the storage sheets to be laterally movable with respect to one another. Moreover, this type of fastening device allows all items on a storage sheet to be seen clearly, simply by "paging" through the storage sheets.

While a single fastening aperture would suffice for fastening each sheet to the bracket, it is preferable that two or more apertures are provided. Preferably, each of the apertures is spaced apart relative to each other located proximate to one edge of a storage sheet. For durability purposes, it is also preferable that the fastening aperture is reinforced, for example with a plastic or metal grommet.

Brief Description of the Drawings

The present invention will now be described with reference to the figures of the accompanying drawings, which illustrate particular preferred embodiments of the present invention, wherein:

5 Figure 1 shows one embodiment of a storage sheet used in a portable storage system in accordance with the present invention.

 Figure 2 shows the storage sheet shown in Figure 1 with items mounted thereon.

 Figures 3a to 4c show another embodiment of a storage sheet used in a
10 portable storage system in accordance with the present invention.

 Figure 5 shows yet another embodiment of a storage sheet used in a portable storage system in accordance with the present invention.

 Figure 6 shows the storage sheet shown in Figure 5 with items mounted thereon.

15 Figure 7 shows a number of storage sheets assembled in a stacked arrangement according to an embodiment of the present invention.

 Figure 8 shows a number of storage sheets assembled in a stacked arrangement and paged open according to an embodiment of the present invention.

20 Figure 9 shows a storage sheet holder according to an embodiment of the present invention.

 Figure 10 shows a storage sheet holder with storage sheets mounted thereon according to an embodiment of the present invention.

25 Figure 11 shows the storage sheet holder of Figure 10 further including a strap according to an embodiment of the present invention.

 Figure 12 shows a front view of a backpack for transporting the portable storage system according to the present invention.

 Figure 13 shows a rear view of the backpack shown in Figure 12.

30 Figure 14 shows the portable storage system according to the present invention mounted in the backpack shown in Figures 12 and 13.

 Figure 15 shows an alternative carry case for transporting the portable storage system according to the present invention.

Detailed Description

The portable storage system of the present invention has particular application to the storage of fishing tackle and accessories and it will be convenient to hereinafter describe it in this context. It is to be appreciated
5 however, that the portable storage system of the present invention is not limited to application for storage and transport of fishing tackle, but may be used to store, transport and manage a wide variety of items including sewing tools and accessories, beads, haberdashery, sunglasses, DIY hardware such as nuts and bolts, etc.

10 Referring firstly to Figures 1 to 6 there are shown a number of different types of storage sheets 10 according to various embodiments of the portable storage system 12 of the present invention.

A first form of the storage sheets 10 is shown in Figures 1 and 2 and may be hereinafter referred to as a lure sheet 10 due to its suitability for mounting
15 and storing fishing lures 14 as shown in Figure 2. The illustrated lure sheet 10 consists of a sheet of resilient material sheeting defining a mounting area 16. The illustrated lure sheets 10 are generally A4 size, however it can be appreciated that the lure sheets could be of any suitable size. The resilient material is typically formed from a plastic based foam material preferably having
20 water resistant or water proof properties. The foam material construction of the lure sheet results in the lure sheet exhibiting some degree of flexibility. The resilient nature of the foam material allows the material to spring back to its rest state when compressed and then released. The foam mounting area 16 is framed by a stiff plastic support frame (not shown) located under the foam
25 material. The foam material may be attached to the plastic frame using thread stitching or another type of fastening or adhesive method.

Preferably the resilient material is also buoyant to substantially float items mounted on the sheet on water. In the case of the illustrated lure sheets 10, the foam material is sufficiently buoyant to float with up to 500 gram of item
30 weight on each lure sheet. Therefore, a lure sheet accidentally falls into water the items attached to the sheet will not sink and be lost in the water.

Referring now to Figure 2, each fishing lure 14 generally includes a hook portion 18 which is used to hook fish, and a lure body portion 20, shaped in an appealing shape such as a fish, crab or the like intended to attract fish. Lures

14 can be mounted in the lure sheet 10 by inserting the hook portion 18 of the lure into the foam mounting area 16. The resilient nature of the foam ensures the hook portion 18 is tightly held in the sheet 10. In the case of relatively small lures 14 such as small plastic trout flies, spinner bait or bait jigs, the fixing of the
5 hook portion 18 within the foam mounting area 16 is sufficient to firmly hold the lure 14 on the lure sheet 10.

However, many lures have larger body portions, such as for example as the large lures 14 shown in Figure 2. In this case, the hook portion is secured within the foam mounting area 16 and any loose parts of the lure, for example,
10 the body portion of a metal slice or chrome twistie, is then secured using a strap 22. The straps 22 are designed to secure any fishing items such as lures or traces that need to be more securely held. For example, the body of a metal slice, deep jig or a sinker on a trace can be further secured with one or more straps.

15 The straps 22 preferably consist of an elasticised band set between two fasteners having claw grips (not shown) which can be hooked into the foam mounting area 16. To use the strap 22, the elasticised band is stretched over the body portion 20 of the lure 14, and the two fasteners are hooked into the foam mounting area 16. A range of weighted jigs up to 250 grams can be
20 secured with the straps.

In an embodiment, the lure sheet 10 further includes a removable layer 24 to cover any items or lures 14 mounted on the lure sheet 10. The removable layer 24 is configured to allow easy access to any items mounted on the lure sheet 10 whilst protecting the items mounted thereon and avoiding hooks 18
25 from catching on hooks or other items mounted on the storage sheet 10 above or below. The removable layer 24 may be formed from any plastic material which is preferably transparent to allow a user to easily view any items mounted under the layer. The layer 24 should be sufficiently tough to prevent penetration by needles, hooks and the like, thereby avoiding ensnaring or damaging items
30 mounted on adjacent storage sheets 10. Removability of the layer 24 may be achieved by conventional means, for example use of complementary hook and loop type material on the periphery of the sheet 26 and the cover, use of zippers, and the like.

While the lure sheets 10 are useful for storing lures, traces, jigs or the like, items without hooks or loose parts of a lure or trace, for example swivels and hooks, are more suited to be stored in a storage sheet 10 having compartments or pockets. Accordingly, a second form of the storage sheets 10 is shown in Figures 3 and 4 and may hereinafter be referred to as a tackle sheet due to its suitability for mounting and storing fishing items, such as unrigged jigs, swivels, wire, hooks, floats and split shot.

Referring to Figures 3a to 4c, there are shown various different compartment type storage sheets 10 which may hereinafter be referred to as tackle sheets, including a large single pocket configuration 28, a two pocket configuration 30, a four pocket configuration 32, an eight pocket configuration 34, a twelve pocket configuration 36 and mixed size pocket configuration 38. Preferably, the compartments or pockets 40 are formed from a transparent or clear heavy duty plastic to enable a user to readily view the items stored within each compartment or pocket 40. The individual pockets 40 may be releasably sealed using conventional closure means, for example use of complementary hook and loop type material on the pocket and closure, use of zippers, press studs and the like.

The different sizes of the pockets 40 in each of these sheets 10 enables the user to select a suitable sized compartment for an item to be stored. For example, an eight compartment sheet 34 could be used to store a number of different sized hooks, a four compartment sheet 32 could be used for deep jigs which are usually long and heavy (> 200 grams) each, and a single compartment sheet 28 could be used for rolls of wire or leader material.

Each of the storage sheets 10 in Figures 3a to 4c includes releasable attachment means 50 for releasably mounting the storage sheet in a desired location or assembly. In the illustrated embodiment, the releasable attachment means 50 is positioned in a hinge region of the storage sheet. The hinge region provides flexibility to the edges of the storage sheet such that when two or more storage sheets are for example releasably secured together using the releasable attachment means on one edge of the sheet, the two or more storage sheets can be "paged" by moving individual storage sheets away from one or more adjacent storage sheets fastened in the arrangement to expose the mounting area of the one or more adjacent storage sheets.

Alternatively, two or more storage sheets can be releasably secured together by joining them end-to-end in a chain-like arrangement. In this arrangement a plurality of storage sheets can be assembled into a compact configuration by simply folding storage sheets which have been secured
5 together end-to-end each over an adjacent sheet in a stacked arrangement. This folding action is facilitated by the flexible hinge region on each of the storage sheets. In yet another arrangement, two or more storage sheets can be stacked together and secured on the stacked arrangement at two ends. In this configuration, the ability to page between storage sheets to expose the
10 mounting area of the one or more adjacent storage sheets is clearly lost.

It will be understood that the releasable attachment means is preferably located on both the front and back of each hinge region to enable the storage sheets to be releasably secured together in these various arrangements. Additionally, the releasable attachment means on the back or reverse face of a
15 storage sheet can be used mount the storage sheet on a surface such as a wall or door.

Referring now to Figures 5 and 6, there is shown a third form of the storage sheets 10 which may hereinafter be referred to as trace sheets due to their suitability for mounting and storing fishing lines and leaders 42 as shown in
20 Figure 6. Two opposed edges 44 of the trace sheet 10 include notches 46 to act as a guide around which a line or leader can be wound. The notches 46 may be any suitable shape such as the V-shape exemplified in the illustrated embodiments, a generally square or U-shaped notch, or any other suitable shaped notch. The notches 46 act as recesses within which line or leader 42
25 can be wound, as shown in Figure 6. For example, the notches 46 can be used to mount items like bait jigs onto a storage sheet 10, which are normally extremely difficult to keep secure and can be a safety hazard. The trace sheets 10 may be formed from the same plastic based foam material and plastic support frame as the earlier described lure sheets. Preferably, the trace sheets
30 10 will have foam on both sides of the sheet. The trace sheets may include a transparent layer 51 to cover any items mounted thereon. In the embodiment illustrated in Figure 6, the transparent layer 51 is releasably fastened by way of releasable attachment means positioned on the inside bottom edge of the

transparent layer. These edges are secured together to form a hinge region having additional releasable attachment means mounted thereon.

Referring now to Figures 7 and 8, the portable storage system 12 of the present invention is a modular system. Whilst one storage sheet 10 can be used on its own to store a number of items, two or more storage sheets 10 of one or more types, can be assembled together to provide storage for various types and numbers of items. The storage sheets 10 may be releasably fastened together in any desirable configuration. However, the generally preferred configuration involves arranging two or more storage sheets 10 in a generally stacked arrangement with each storage sheet 10 substantially overlying the next. Releasable attachment means fastens each storage sheet 10 in the arrangement such as to allow each storage sheet 10 in the arrangement to be moved away from one or more adjacent storage sheets 10 to expose the mounting area 16 of the adjacent storage sheets 10 as shown in Figure 8.

To facilitate arrangement of two or more storage sheets 10 into a desirable configuration, each storage sheet 10 includes a flexible region on at least one side of the sheet 10 with a releasable fastener (see Figures 3 to 6) affixed thereto to form a releasable hinge 48. The releasable fastening means 50 (see Figures 1 to 6) is preferably complementary hook and loop material affixed to at least one edge of the periphery 26 of the storage sheet 10. Alternative means of releasably fastening a plurality of storage sheets 10 in a desired arrangement may include zippers, press studs, ties, buttons or the like. However, it will be appreciated that for ease of operation strips of complementary hook and loop material, such as of the VELCRO™ variety is preferred. The use of complementary hook and loop material is particularly advantageous since strips of the material can be easily applied to a wall or door, in a garage or boat for mounting the storage sheets 10 vertically when not in transit.

Accordingly, it will be understood that the releasable flexible hinge 48 enables any number of storage sheets 10 to be releasably assembled together such that a user can readily page through the sheets 10 to view or access items mounted thereon. It will also be understood that this arrangement allows individual storage sheets 10 to be added to or removed from the assembly to

allow a user to adapt the portable storage system 12 to his or her particular purpose.

In an alternative embodiment, the storage sheets 10 of the present invention may include at least one fastening aperture located proximate to at least one edge of a storage sheet 10, the fastening aperture being adapted to receive there through the arm of a fastening device. The fastening device may be any suitable fastening device having a insertion body which is capable of releasably fastening two or more storage sheets 10 together though the one or more fastening apertures, e.g. a simple binder ring, or a lever arch type bracket. This type of fastening device will similarly allow the storage sheets 10 to be laterally movable with respect to one another and allow all items on a storage sheet 10 to be seen clearly, simply by "paging" through the storage sheets 10.

While a single fastening aperture would suffice for fastening each sheet 10 to the bracket, it is preferable that two or more apertures are provided. To enhance durability, it is also preferable that the fastening aperture is reinforced, for example with a plastic or metal grommet.

Referring now to Figures 9 to 11, in another embodiment of the present invention, the portable storage system 12 includes a storage sheet holder 52 including a flexible structure 54 having releasable attachment means 56 secured thereto to enable releasable mounting of one or more storage sheets 10. The holder 52 acts as an organiser for collating and securing together the various storage sheets 10 used to store a particular group of items and assemble them in an easy to manage and readily accessible fashion as shown in Figure 10. The storage sheet holder 52 may include means 58 for vertically mounting the storage sheet holder 52 complete with sheets 10, i.e. for hanging on a wall, door, or the like. Alternatively, or in addition, the storage sheet holder 52 may include one or more straps 60 for securing any storage sheets 10 mounted thereon as shown in Figures 10 and 11. Fastening of the strap or straps 60 also prevents the various storage sheets 10 moving away from the preferred stacked arrangement for storage or transport.

The storage sheet holder 52 can be releasably mounted at any desired location. The storage sheet holder may include D-rings 58 or reinforced apertures to facilitate mounting of the storage sheet holder 52 on a series of hooks or the like. This allows the storage system to be moved from one

location, for example a bench, shed or cupboard, to a second location, for example a tackle box, portable container bag or boat. For example, a first storage sheet holder 52 can be used to store a number of storage sheets 10 having an array of different items, a second storage sheet holder 52 can then
5 be loaded with a customised selection of storage sheets 10 selected for a particular purpose.

The storage sheet holder 52 may be placed in a bag for transport. Suitable containers include bags, backpacks, attachés, briefcases, boxes, carry-ons, carryalls, cases, diddies, duffels, gears, grub-bags, handbags,
10 haversacks, holdalls, kits, knapsacks, packs, pocketbooks, pokes, pouches, purses, rucksacks, sacs, sacks, saddlebags, satchels, suitcases, totes or the like. This allows the storage system 12 of the present invention to be more easily carried by a user to a location of use such as a fishing location on the rocks, lake, stream, boat or the like. In a preferred embodiment, the container
15 includes a backpack.

Referring now to Figures 12 and 13, there is shown a backpack 62 for carrying the portable storage system 12 of the present invention. The illustrated backpack 62 includes a typical backpack configuration having a body portion 64 which includes two main zippered compartments 66, 68 and two smaller front
20 zippered compartments 70, 72. A number of different items can be stored in these zipped compartments 66, 68, 70, 72. Attached to the rear of the backpack 62 are two shoulder straps 74 which are used to mount the backpack 62 on the shoulders of a user. As shown in Figure 14, the storage sheets 10 are mounted in a compartment of the backpack 62 using releasable fastening
25 means selected from the type previously described.

The backpack 62 may include additional tackle pack accessories including a number of items which are useful for an angler. Briefly, the tackle pack may consist of the backpack 62, portable storage system 12 including storage sheets 10 and storage sheet holder 52 releasably mounted in the main
30 compartment 68, a secure storage box/compartment including a water tight foam lined container secured within the main compartment by releasable means, a cutting or bait board secured on top of the secure storage compartment within the main compartment 68, and a thermally insulated compartment in which items can be kept cold or warm as desired. A bottle or

several cans can be mounted within a detachable, thermally insulated bag 76 fitted with quick release straps which fits onto one side of the backpack 62. The backpack 62 also has a number of attachment points and elasticized strips to allow for any items the angler might want immediately accessible such as knives, leader lines or the like. Referring to Figure 13, the shoulder straps 74 have a knife sheath 78 on one strap and plier's sheath 80 on the other strap. A waist strap and/or belly pouch could also be fitted to the backpack 62 to provide an additional attachment means for a user. The waist strap would also be fitted with quick release clips. Furthermore, a bait bucket could also be attached to the straps or the optional waist strap.

It is preferred that the high denier nylon outer includes a rip stop type of fabric. All seams in the pack are double stitched. The base of the backpack 62 additionally includes a hard plastic shell (not shown). This ensures that the entire backpack 62 sits off the ground and is kept dry. In this respect, a common problem with some pack designs is that when placed on wet surfaces the material at the base of the backpack 62 is not water resistant and absorbs moisture. This makes carrying the backpack 62 uncomfortable, and the water adsorbed in the material and in the backpack 62 can damage the contents of the backpack 62 including the tackle, lures or the like. In some embodiments of the invention, the plastic shell base includes one or more draws which can be used to store items within. The plastic shell base can also be designed to clip securely into the trolley.

The outer covering is lined with a life preserver grade foam core (not illustrated) throughout the backpack 62. The foam provides buoyancy to the pack allowing the backpack 62 to act as a life preserver when the angler accidentally falls in the water. The illustrated backpack 62 has sufficient foam to support at least a 120 kg person in the water. However, as can be appreciated the type of foam and amount of foam could be modified to support a heavier person in the water. It should be appreciated however that other embodiments of the backpack 62 could be constructed without the life preserver foam lining.

As previously noted, the backpack 62 includes four different compartments 66, 68, 70, 72. As best seen in Fig. 9, the backpack 62 includes two small compartments at the front side of the pack 70, 72. These

compartments 70, 72 are zippered pockets in which small items can be stored. The main body of the pack includes two larger compartments 66, 68. Each of the four compartments is sealed using zips. The zips are formed of quality heavy duty, saltwater resistant material and are reinforced.

5 An insulated compartment can be accessed through a zip. The insulated compartment is lined with a thermally insulating material. As can be understood in the art, this insulating material typically includes a foam lined synthetic layer. The illustrated insulated compartment includes two 1L bottles. Depending on the requirements of the angler, these bottles could be heated or frozen to
10 provide a suitable heater or cool environment within the thermally insulated compartment. Moreover, the bottles could be filled with a desired liquid to provide an additional supply of liquids.

A thermally insulated detachable beverage cooler can also be attached to a side of the pack via one or more quick release fasteners. The insulated
15 detachable beverage cooler is lined with a thermally insulating material similar to that lining thermally insulated compartment. This beverage cooler provides an additional insulated compartment for storing hot or cold beverages.

The main compartment 68 includes a large zippered compartment. The zip extends fully around three of the four sides of the compartment. This allows
20 a user to open the zip and move the front flap of the pack to a fully open position about a hinge defined by the fourth non-zipped side. Opening the zip around three of the four sides of the compartment allows a user to hinge open front flap (as shown in Figure 14), allowing a user full access to the items mounted inside the compartment.

25 In an alternative embodiment, the backpack may be substituted by a shoulder bag 82 of the type shown in Figure 15. The shoulder bag 82 includes a body portion 84 which includes one main zippered compartment 86 and two smaller end zippered compartments 88. A number of different items can be stored in these zipped compartments 86, 88. Attached to bag are two shoulder
30 straps 90 which are used to mount the bag 82 on the shoulders of a user. The storage sheets 10 are mounted in the main zippered compartment 86 of the shoulder bag 82 using releasable fastening means of the type previously described.

As can be appreciated from the foregoing discussion, the storage sheets alone or in combination, provide a very simple and effective tackle management system. The system allows a user to examine each fishing item mounted on the storage sheets by simply by turning the pages of sheets mounted in the storage sheet holder. Moreover, the storage sheet holder allows a user to easily transfer sheets into and out of the system at any time. A user can organize their tackle to suit their type of fishing - it works for beach, bait, fly, bass, bream, lure fishermen, LBG, boat fishermen and bank fishermen. The angler can customise their tackle box or bag by simply adding or removing storage sheets as desired. Moreover, lures and tackle can be arranged on separate storage sheets and changed to suit the anglers fishing style and target species whenever desired.

The configuration of the lure sheets and compartment sheets allow all types of tackle to be securely stored. Moreover, though the use of the foam material of the lure sheets, every lure is surrounded by sponge, thereby reducing the potential of damaging the lures in transit. Moreover, through the use of the straps, and pockets, each item is individually mounted to a storage sheet, thereby making the system virtually spill and accident proof. The use of the V-notches also ensures long leader lines are stored effectively, and stops lures tangling.

The backpack contains everything an angler may need in one comfortable rugged pack and allowing an angler to be ready to go at a moment's notice, to fish for anything, anywhere, anytime. The backpack design allows anglers arms to be free, while the arrangement of the equipment in and around the bag gives an angler convenient access to most equipment required by an angler. Additionally, the system provides an insulated storage area and contains the necessary flotation buoyancy as a result of the foam lining to act as a life preserver. The bag also has a number of compartments, providing several locations for storing weights, tackle, knives, and valuables. The system also provides a secure box in which valuables can be kept dry and secure. Moreover, cleaning the tackle pack system after a fishing trip is as simple as washing the pack and items with a hose and hanging it up to dry.

Of course it will be understood that the portable storage system has equal utility for storage applications outside of fishing tackle, but may also be

used to store, transport and manage a wide variety of items including sewing tools and accessories, beads, haberdashery, sunglasses, DIY hardware such as nuts and bolts, etc. Features of the storage system such as its modularity, adaptability and portability make it equally useful in a large variety of applications. In some embodiments, it is envisaged that the storage sheets could be colour coded to enable a user to determine at a quick glance, the nature of the items stored on a particular storage sheets. For example, blue sheets store bolts, red sheets store nuts, yellow sheets store nails, etc.

Those skilled in the art will appreciate that the invention described herein is susceptible to variations and modifications other than those specifically described. It is understood that the invention includes all such variations and modifications which fall within the spirit and scope.

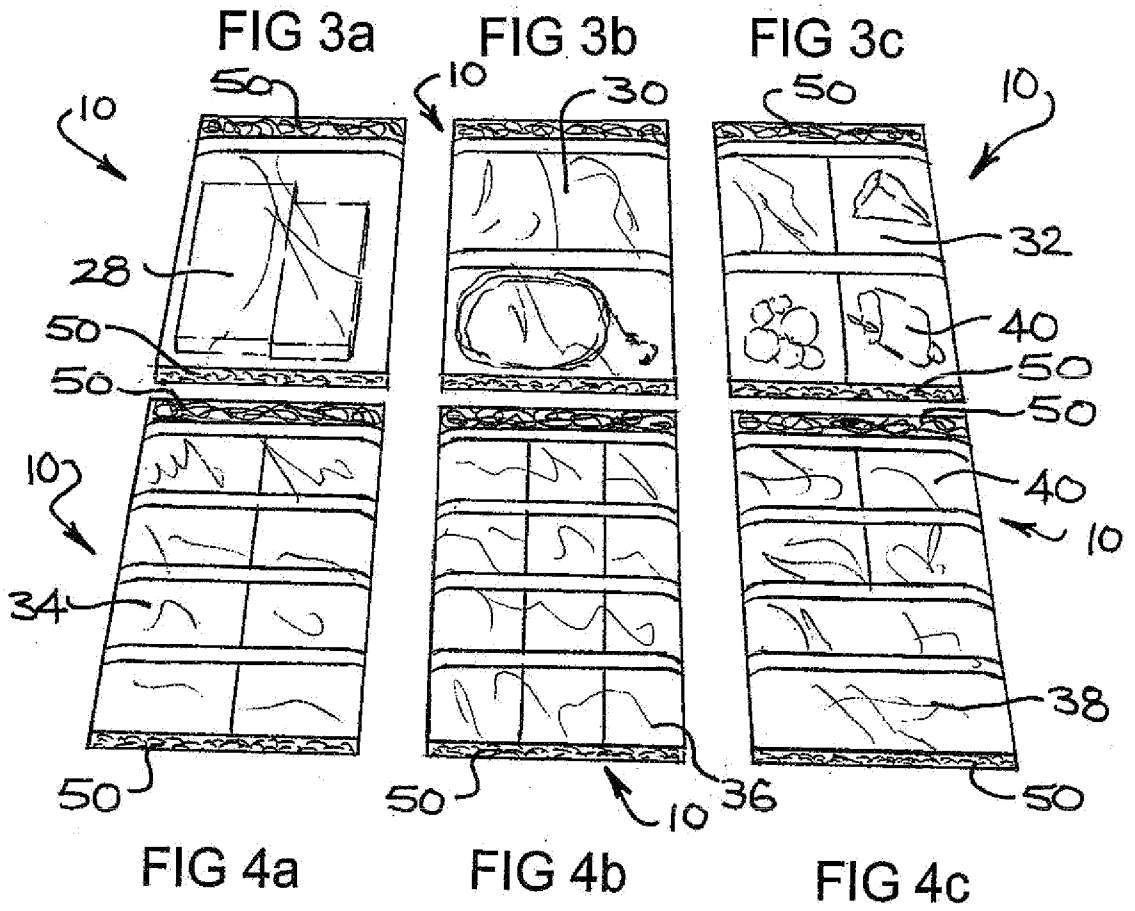
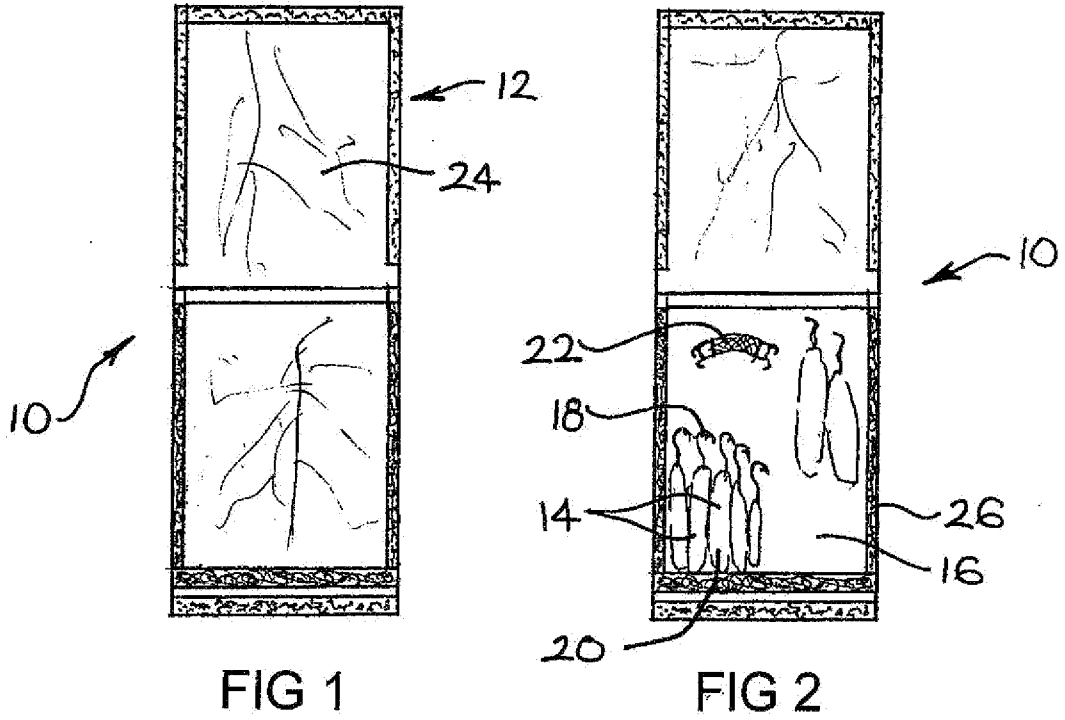
The claims defining the invention are as follows:

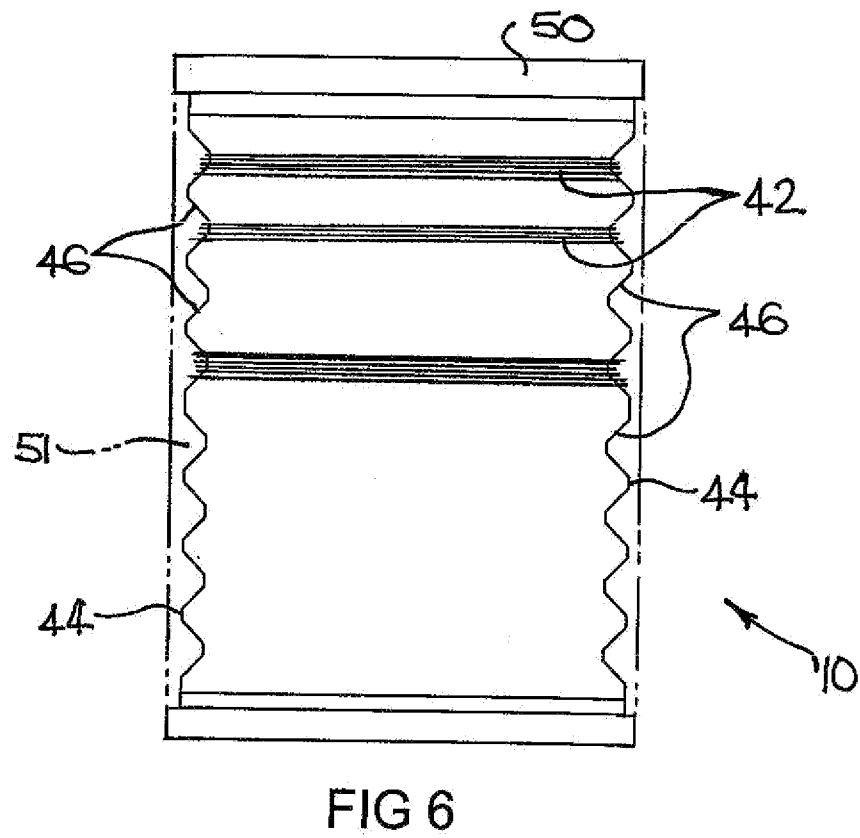
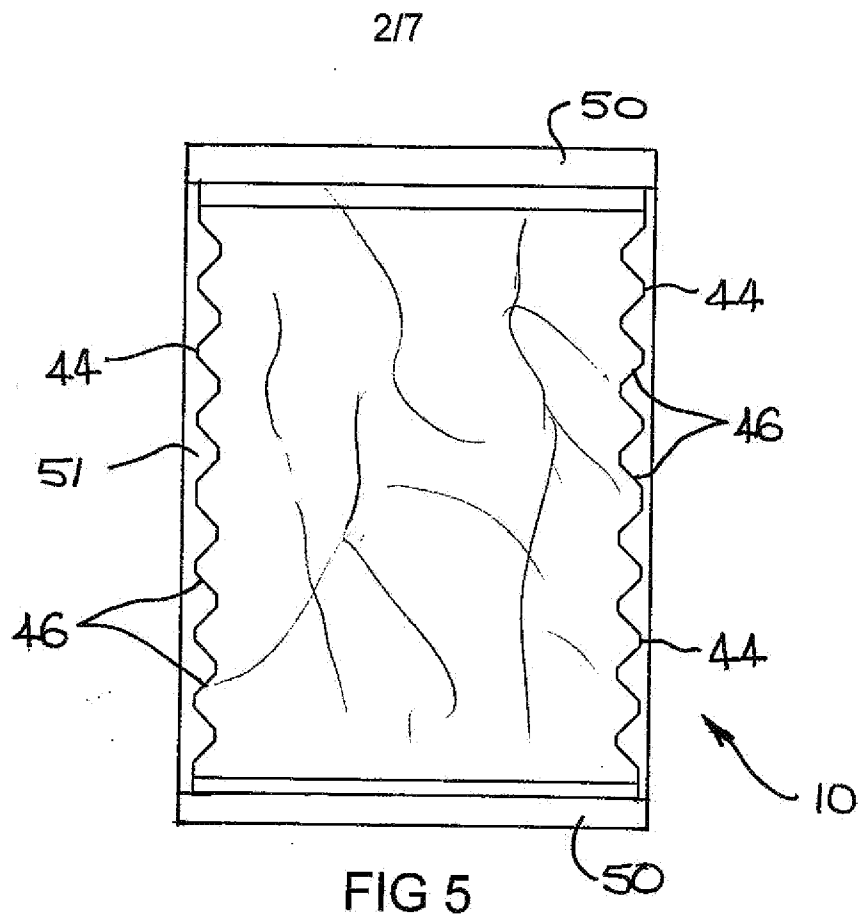
1. A portable storage system, including:
at least one storage sheet, each storage sheet including a mounting area
5 in which one or more individual items can be mounted;
each storage sheet further including releasable attachment means for
releasably mounting the storage sheet in a desired location or assembly.
2. A portable storage system according to claim 1, wherein each storage
10 sheet includes at least one hinge region including releasable attachment means
for releasably mounting the storage sheet in a desired location or assembly.
3. A portable storage system according to claim 1, wherein each storage
15 sheet includes two hinge regions positioned on opposed edges of the storage
sheet, each hinge region including releasable attachment means for releasably
mounting the storage sheet in a desired location or assembly.
4. A portable storage system according to any one of claims 1 to 3, wherein
20 two or more storage sheets are arranged in a generally stacked arrangement
with each storage sheet substantially overlying another, the releasable
attachment means fastening each storage sheet in an arrangement which
allows each storage sheet fastened in the arrangement to be moved away from
one or more adjacent storage sheets fastened in the arrangement and thereby
25 expose the mounting area of the one or more adjacent storage sheets.
5. A portable storage system according to any one of claims 1 to 4, wherein
the mounting area includes a resilient material.
6. A portable storage system according to any one of claims 1 to 5, wherein
30 a portion of the item is inserted into the mounting area to mount at least one
end of the item on the storage sheet.
7. A portable storage system according to any one of claims 1 to 6, wherein
one or more fasteners are used to mount each item on the mounting area.

8. A portable storage system according to any one of claims 1 to 7, wherein the storage sheet includes a notch on at least two opposed sides of the storage sheet to act as a guide around which a line can be wound.
- 5 9. A portable storage system according to any one of claims 1 to 8, wherein the storage sheet further includes a transparent layer to cover any items mounted thereon.
- 10 10. A portable storage system according to any one of claims 1 to 4, wherein the mounting area includes one or more compartments in which items can be stored.
11. A portable storage system according to claim 10, wherein one or more of the compartments include a pocket.
- 15 12. A portable storage system according to any one of claims 1 to 11, wherein at least part of the storage sheet is formed from a buoyant material which can substantially float the items mounted thereon.
- 20 13. A portable storage system according to any one of claims 1 to 12, further including:
a storage sheet holder including a flexible structure having releasable attachment means secured thereto to enable releasable mounting of one or more storage sheets.
- 25 14. A portable storage system according to claim 13, wherein the storage sheet holder further includes means for vertically mounting the storage sheet holder.
- 30 15. A portable storage system according to claim 13 or 14, wherein the storage sheet holder further includes one or more straps for securing any storage sheets mounted thereon.

16. A portable storage system according to any one of claims 1 to 12, wherein each storage sheet includes at least one fastening aperture proximate to at least one edge of a storage sheet.
- 5 17. A portable storage system according to claim 16, wherein each fastening aperture is adapted to receive there through an arm of a fastening device.
18. A portable storage system according to any one of claims 1 to 17 being adapted for storage of fishing tackle.
- 10 19. A storage sheet substantially as herein before described with reference to any one of the embodiments shown in the drawings.
- 15 20. A portable storage device substantially as herein before described with reference to any one of the embodiments shown in the drawings.

1/7





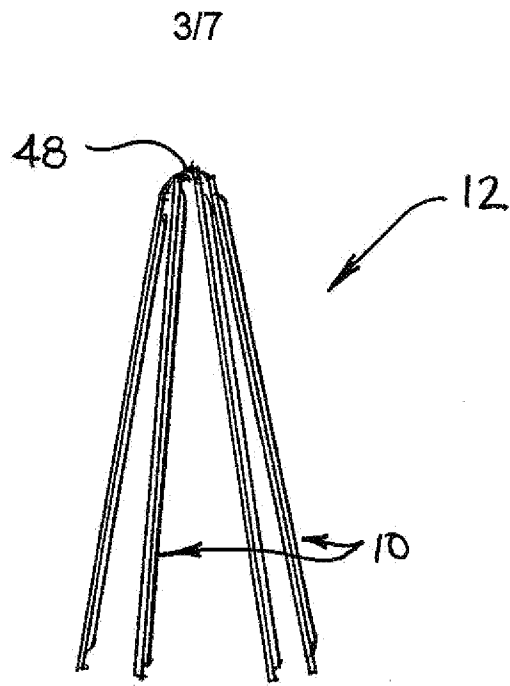


FIG 7

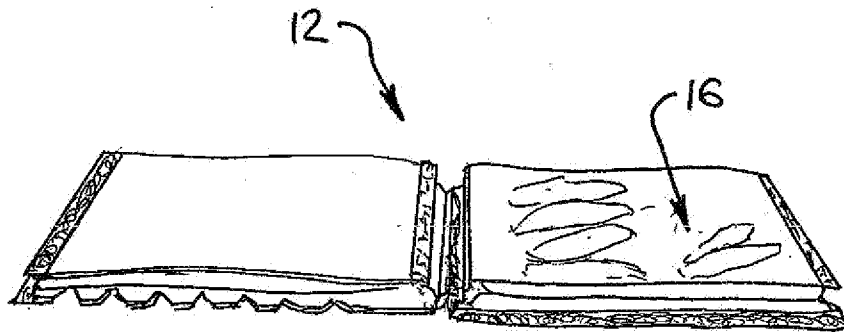


FIG 8

4/7

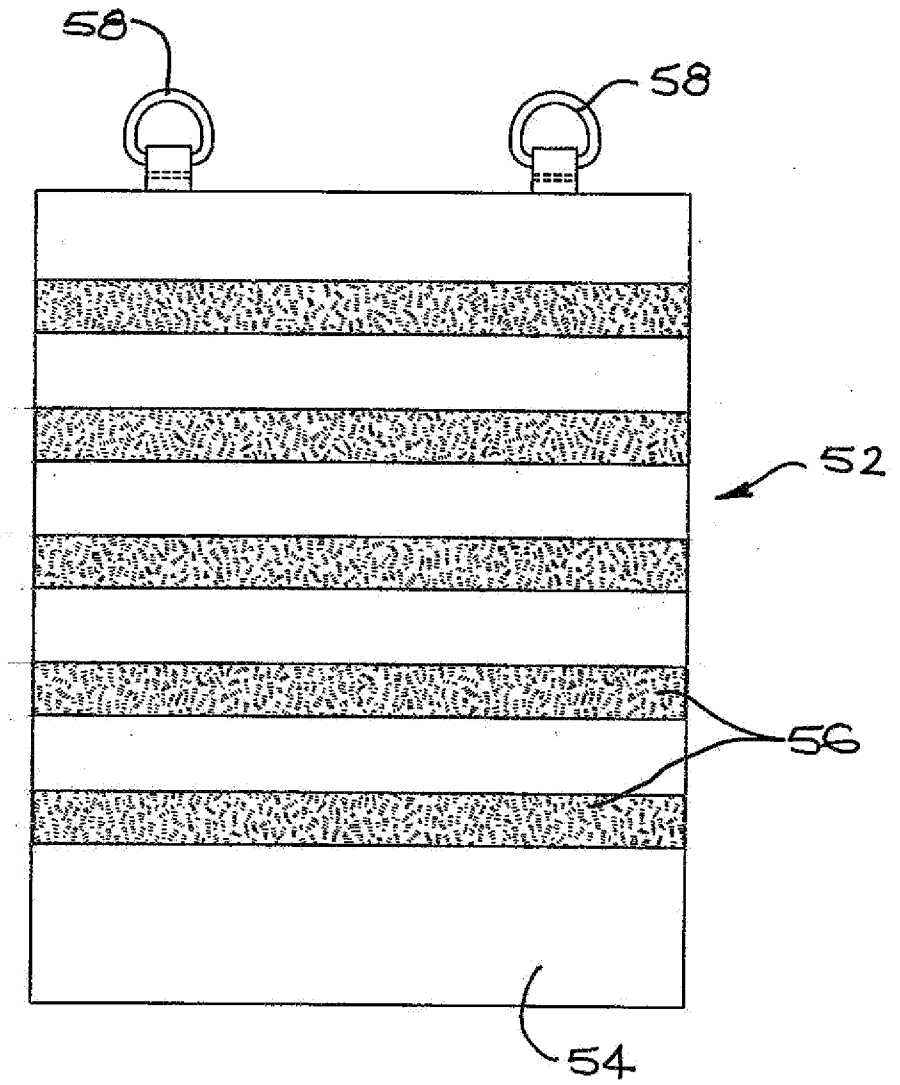


FIG 9

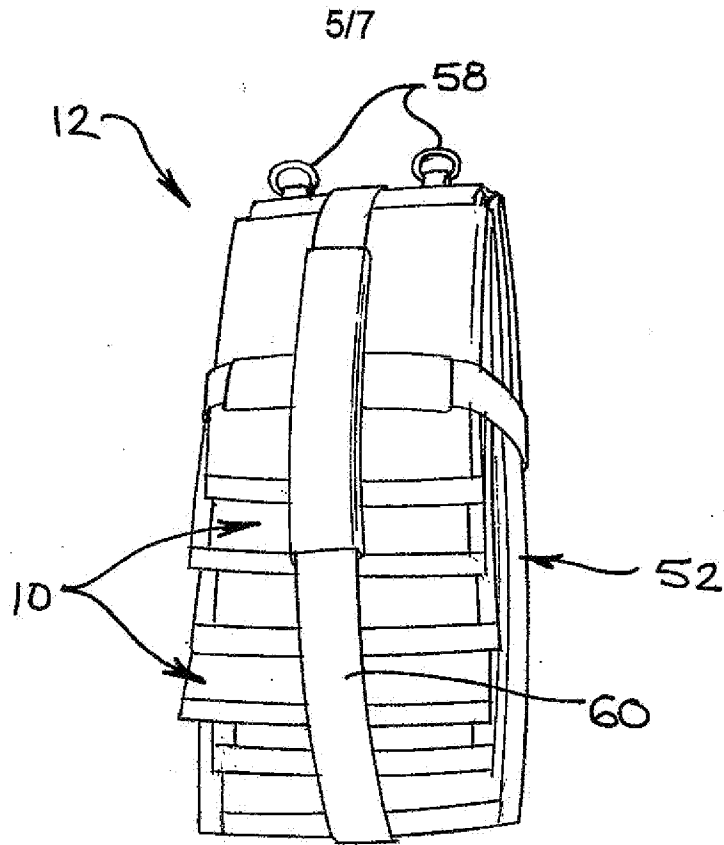


FIG 10

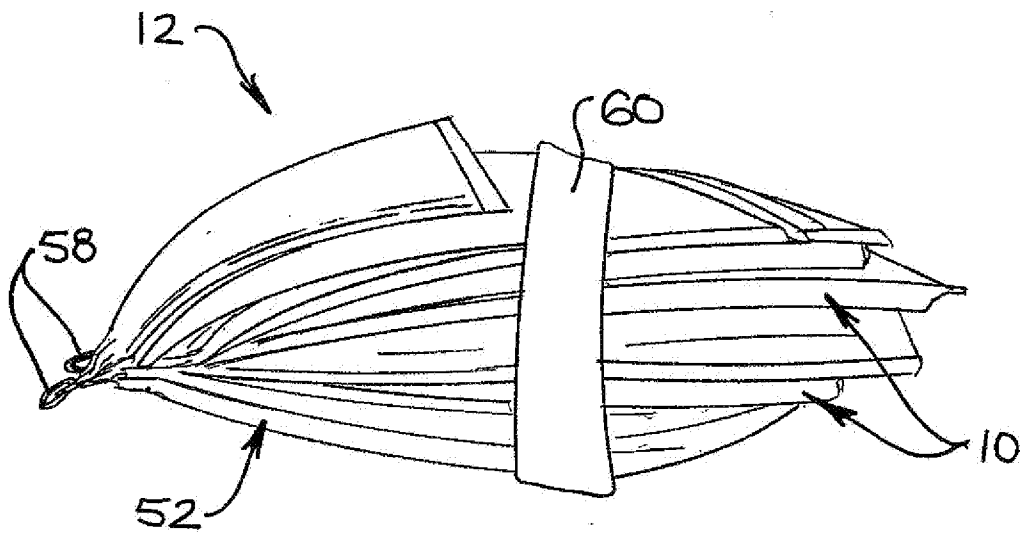
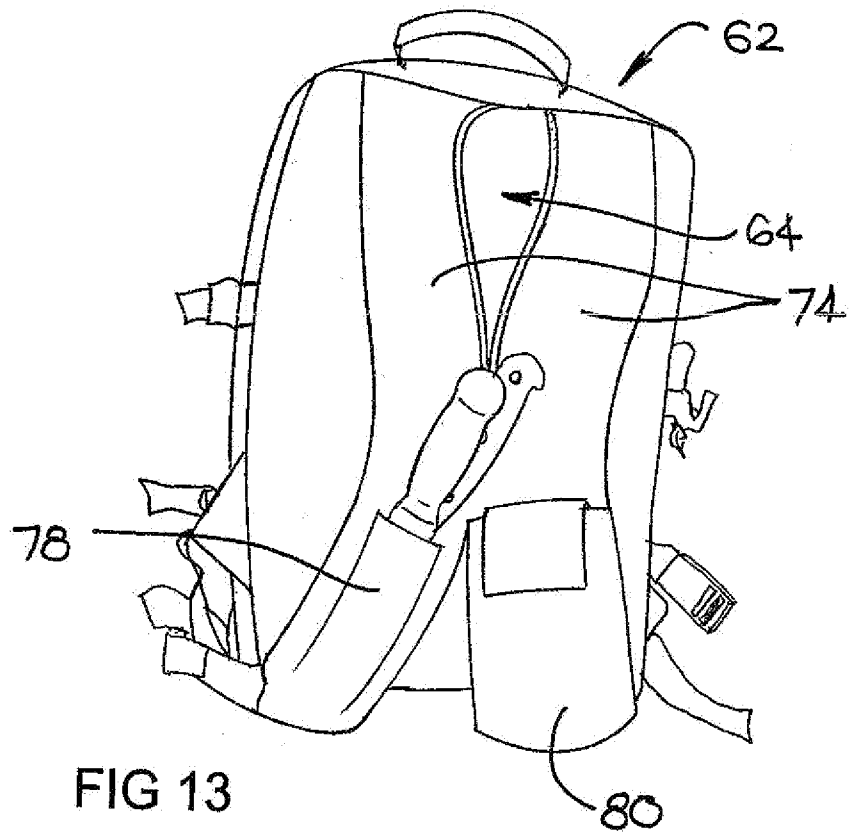
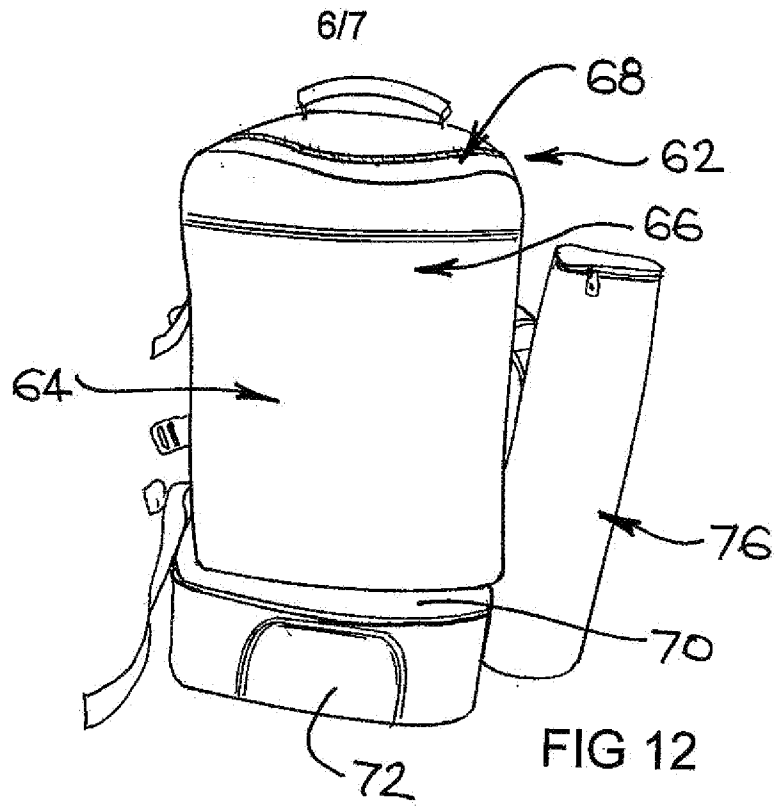
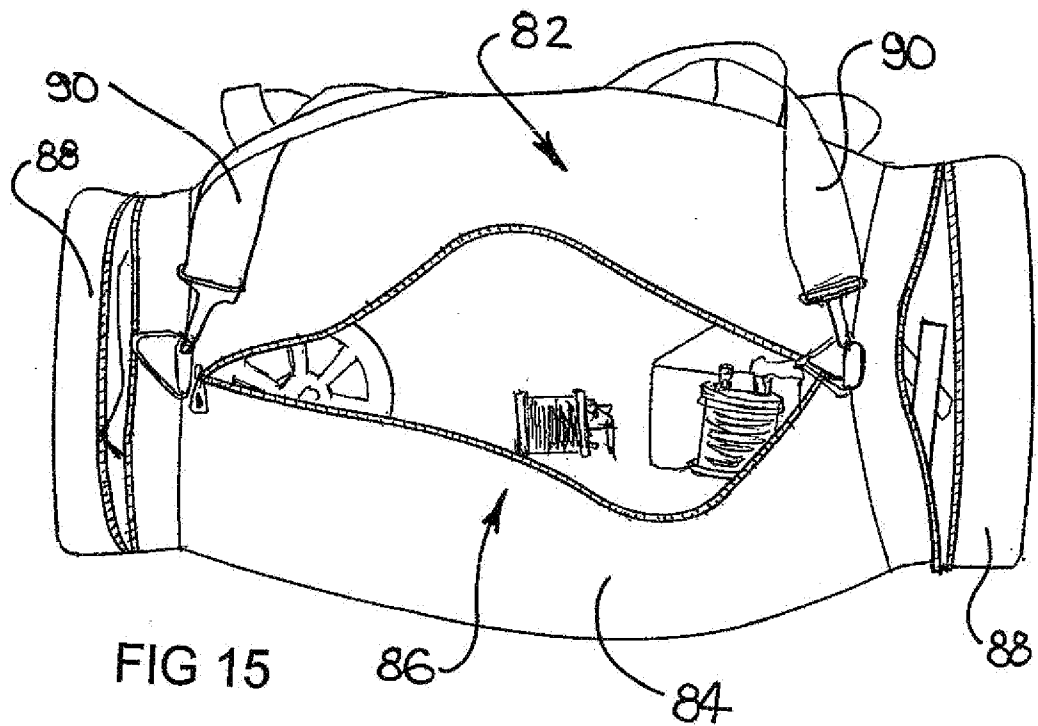
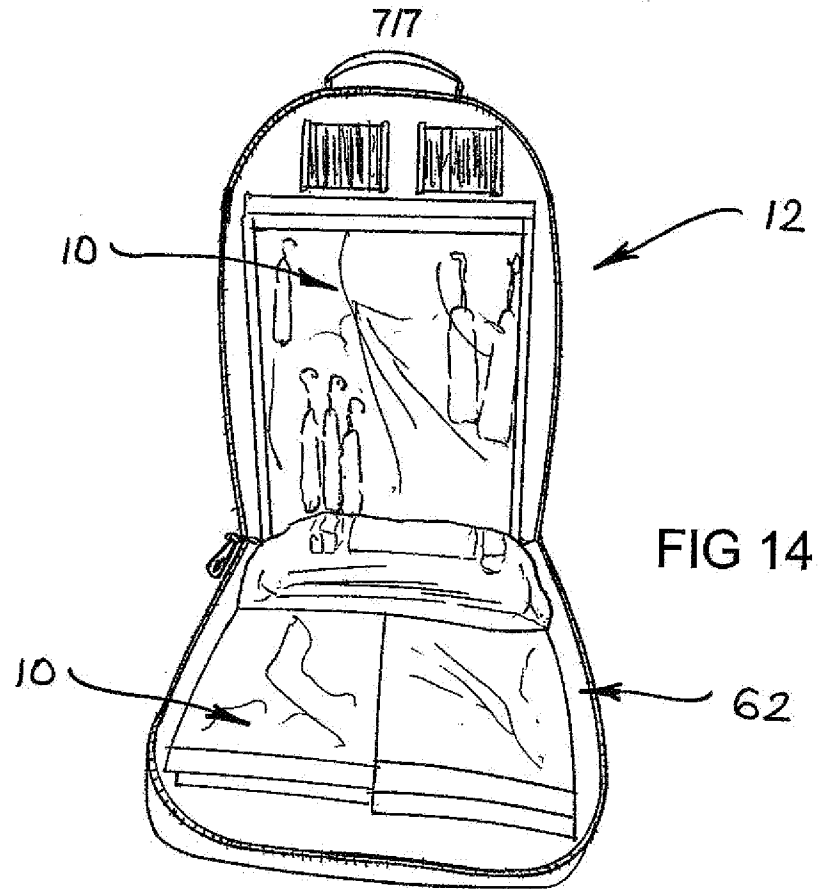


FIG 11





INTERNATIONAL SEARCH REPORT

International application No.

PCT/AU2007/000293

A. CLASSIFICATION OF SUBJECT MATTER

Int. Cl.

A45C 11/26 (2006.01) *A45C 7/00* (2006.01)

According to International Patent Classification (IPC) or to both national classification and IPC

B. FIELDS SEARCHED

Minimum documentation searched (classification system followed by classification symbols)

Documentation searched other than minimum documentation to the extent that such documents are included in the fields searched

Electronic data base consulted during the international search (name of data base and, where practicable, search terms used)

DWPI, A45C 11/26, 7/00 B65D/IC key words BAG+, POUCH+, SHEET+, POCKET+, COMPARTMENT+, ATTACH+, FASTEN+, FIX+, JOIN+, CONNECT+, STORAGE+, STORING+, HOOK+, HANG+, MOUNT+, FOLD+, WRAP+, HING+, OVER+, FLEXIBLE+, PORTABLE+

C. DOCUMENTS CONSIDERED TO BE RELEVANT

Category*	Citation of document, with indication, where appropriate, of the relevant passages	Relevant to claim No.
X	WO 1989006601 A (ISSERSTEDT R K) 27 July 1989 Whole document (pl refer to figs 1-12)	1-6,10-16
X	AU 720364 B (WALLBANK T E) 1 June 2000 Whole document (pl refer to figs 1-3)	1,2,5,6,10,11, 18
X	US 5125519 A (CAMBRIA) 30 June 1992 Whole document (pl refer to figs 1,8 & 9)	1,2,5,6,9- 12,16

 Further documents are listed in the continuation of Box C See patent family annex

* Special categories of cited documents:

"A" document defining the general state of the art which is not considered to be of particular relevance

"T" later document published after the international filing date or priority date and not in conflict with the application but cited to understand the principle or theory underlying the invention

"E" earlier application or patent but published on or after the international filing date

"X" document of particular relevance; the claimed invention cannot be considered novel or cannot be considered to involve an inventive step when the document is taken alone

"L" document which may throw doubts on priority claim(s) or which is cited to establish the publication date of another citation or other special reason (as specified)

"Y" document of particular relevance; the claimed invention cannot be considered to involve an inventive step when the document is combined with one or more other such documents, such combination being obvious to a person skilled in the art

"O" document referring to an oral disclosure, use, exhibition or other means

"&" document member of the same patent family

"P" document published prior to the international filing date but later than the priority date claimed

Date of the actual completion of the international search

04 April 2007

Date of mailing of the international search report

11 APR 2007

Name and mailing address of the ISA/AU

AUSTRALIAN PATENT OFFICE
PO BOX 200, WODEN ACT 2606, AUSTRALIA
E-mail address: pct@ipaustralia.gov.au
Facsimile No. (02) 6285 3929

Authorized officer

SARAVANAMUTHU PONNAMPALAM

AUSTRALIAN PATENT OFFICE

(ISO 9001 Quality Certified Service)

Telephone No : (02) 6283 2070

INTERNATIONAL SEARCH REPORT

International application No.

PCT/AU2007/000293

C (Continuation). DOCUMENTS CONSIDERED TO BE RELEVANT		
Category*	Citation of document, with indication, where appropriate, of the relevant passages	Relevant to claim No.
X	US 2003/0089749 A (VALDEZ-CAMPBELL) 15 May 2003 Whole document (pl refer to figs 1 & 13)	1,2,5-7,10-12,16
X	US 6267277 B (TAYLOR) 31 July 2001 Whole document (pl refer to fig1-5)	1,2,5-7,10,11,16

INTERNATIONAL SEARCH REPORT

Information on patent family members

International application No.

PCT/AU2007/000293

This Annex lists the known "A" publication level patent family members relating to the patent documents cited in the above-mentioned international search report. The Australian Patent Office is in no way liable for these particulars which are merely given for the purpose of information.

Patent Document Cited in Search Report	Patent Family Member
WO 8906601	AU 30380/89 AU 36882/93 BR 8907192 DK 175490 EP 0402366 GB 2214132 NO 903287 US 5163606 US 5620133
AU 720364	NONE
US 5125519	NONE
US 2003089749	US 7028870
US 6267277	NONE

Due to data integration issues this family listing may not include 10 digit Australian applications filed since May 2001.

END OF ANNEX