



US00D343337S

United States Patent [19]

[11] Patent Number: Des. 343,337

Johnston

[45] Date of Patent: ** Jan. 18, 1994

[54] UNIVERSAL GAS COLLECTOR BOX FOR IGNITOR

[75] Inventor: Robert L. Johnston, Columbus, Ga.

[73] Assignee: W. C. Bradley Company, Columbus, Ga.

[**] Term: 14 Years

[21] Appl. No.: 743,570

[22] Filed: Aug. 9, 1991

[52] U.S. Cl. D7/417; D7/416

[58] Field of Search D7/416, 417, 213; 431/347, 267; 126/25 B, 39; D27/194, 139, 141; D23/339, 206, 96

[56] **References Cited**

U.S. PATENT DOCUMENTS

D. 22,825	10/1893	Hazzard	D7/417
D. 186,346	10/1959	Leighton	D7/416
D. 198,486	6/1964	Grandinetti	D7/417
D. 203,956	3/1966	Hauenstein	D7/416
D. 228,309	9/1973	Delmater	D7/416
D. 276,085	10/1984	Ostman	D7/416 X
D. 277,307	1/1985	Zeller et al.	D7/416
D. 282,566	2/1986	Cragun	D7/416

D. 285,334	8/1986	Johnson	D7/416
D. 291,371	8/1987	Stützer	D27/141
D. 294,649	3/1988	Carr et al.	D7/416
D. 296,016	5/1988	Carr et al.	D7/416
D. 314,118	1/1991	Lloveras Capilla	D7/416
4,861,264	8/1989	Romanak et al.	126/39 E

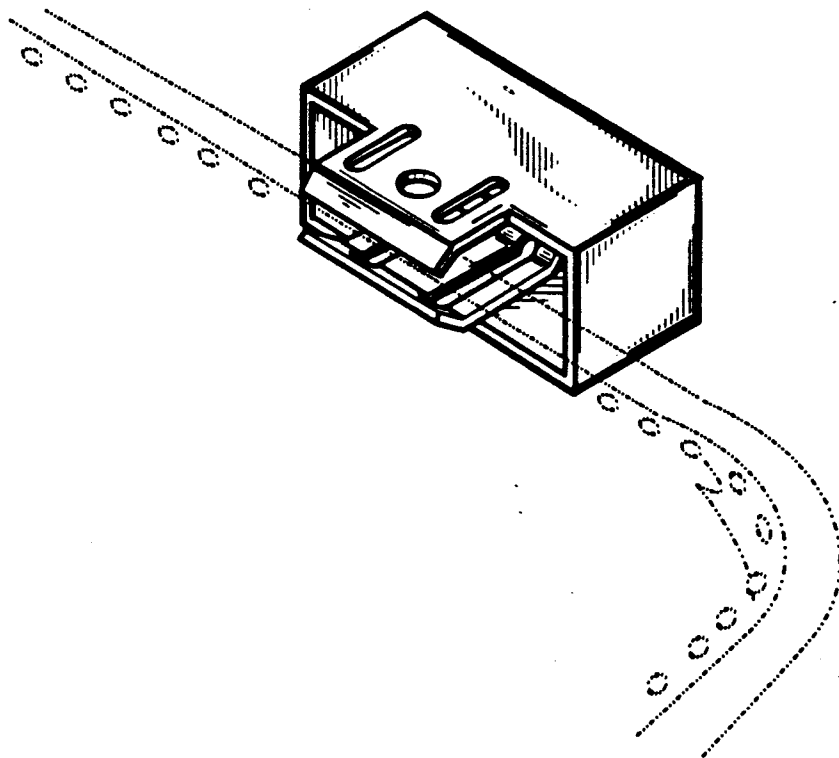
Primary Examiner—Alan P. Douglas
Assistant Examiner—M. N. Pandozzi
Attorney, Agent, or Firm—Hopkins & Thomas

[57] **CLAIM**

The ornamental design for a universal gas collector box for ignitor, as shown and described.

DESCRIPTION

FIG. 1 is a perspective view of a universal gas collector box for ignitor showing my new design; FIG. 2 is a side elevational view thereof, the opposite side being a mirror image; FIG. 3 is a front elevational view thereof; FIG. 4 is a top plan view thereof; FIG. 5 is a rear elevational view thereof; and, FIG. 6 is a bottom plan view thereof. The broken line showing of a portion of a barbecue grill burner in FIGS. 1 and 2 and a bolt in FIG. 2 is for illustrative purposes only and forms no part of the claimed design.



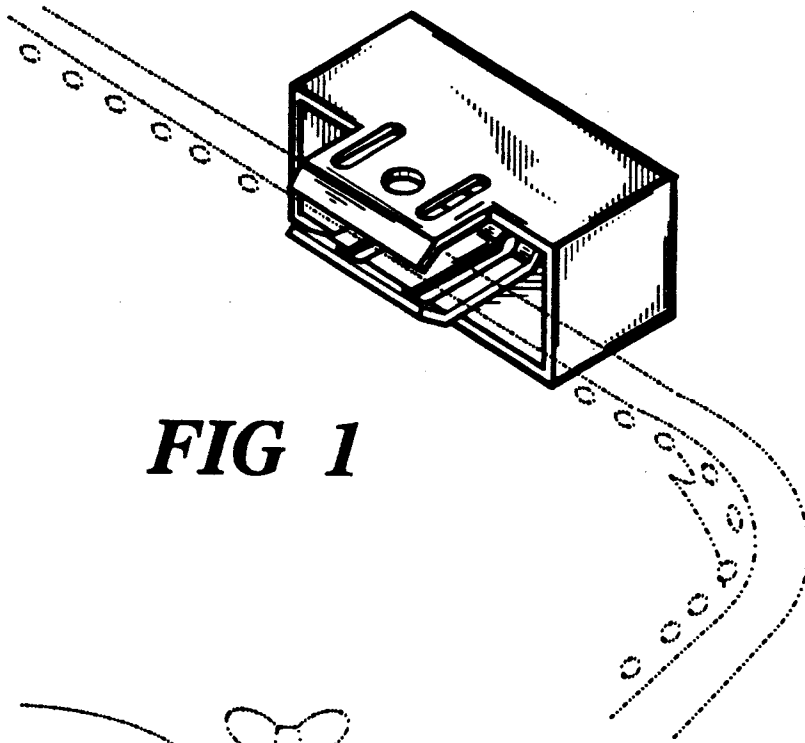


FIG 1

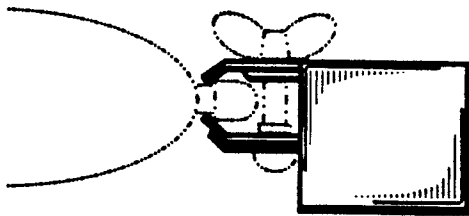


FIG 2

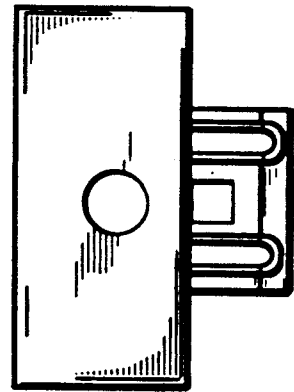
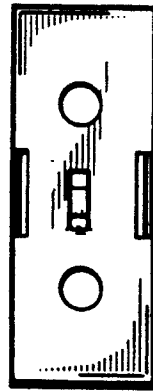
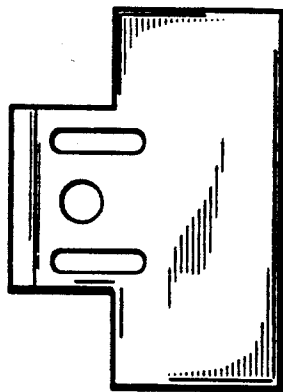
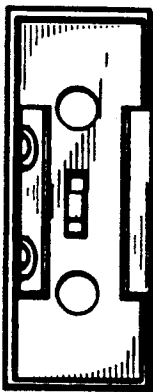


FIG 3

FIG 4

FIG 5

FIG 6