



US00D399522S

United States Patent [19]

[11] Patent Number: **Des. 399,522**

Nye et al.

[45] Date of Patent: ****Oct. 13, 1998**

[54] **DIGITAL ABACUS**

3,731,401	5/1973	Kojima	434/203
4,812,124	3/1989	Colodner et al.	434/203
5,134,692	7/1992	Hiromori	364/708.1

[76] Inventors: **William S. Nye**, 3015 29th Ave. West, Seattle, Wash. 98199-2177; **William M. Pease**, 900 1st Ave. South, #205B, Seattle, Wash. 98134

Primary Examiner—Caron D. Veynar
Attorney, Agent, or Firm—Miller Nash Wiener Hager & Carlsen; Bruce A. Kaser; Dennis M. de Guzman

[**] Term: **14 Years**

[57] CLAIM

[21] Appl. No.: **62,820**

The ornamental design for a digital abacus, as shown and described.

[22] Filed: **Nov. 26, 1996**

DESCRIPTION

[51] **LOC (6) Cl.** **18-01**

[52] **U.S. Cl.** **D18/6**

[58] **Field of Search** D18/6, 7, 10; 434/203;
D19/75, 77; 364/706-710

FIG. 1 is a top, front perspective view of a digital abacus showing our new design;

FIG. 2 is a top plan view of the digital abacus shown in FIG. 1, the bottom view being substantially identical thereto;

FIG. 3 is a side view of the digital abacus shown in FIG. 1, the opposite side being substantially identical thereto; and,

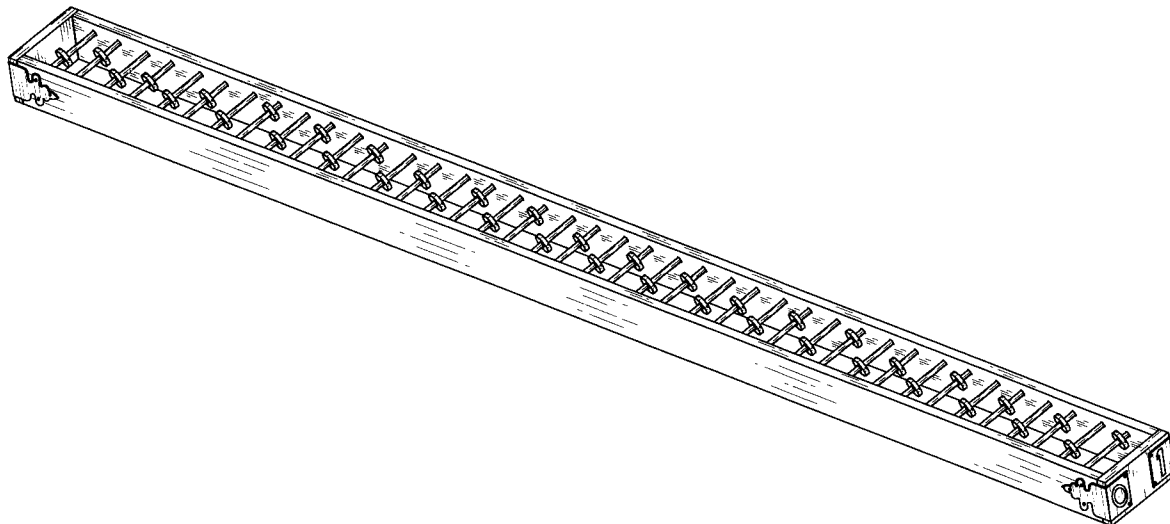
FIG. 4 is an end view of the digital abacus shown in FIG. 1, drawn on an enlarged scale, the opposite side being substantially identical thereto.

[56] References Cited

U.S. PATENT DOCUMENTS

D. 181,754	12/1957	Schott	D18/6
D. 198,847	8/1964	Mathison	D18/6
D. 215,004	8/1969	Oota	D18/6
D. 282,669	2/1986	Conlee, Jr.	D18/6
D. 284,975	8/1986	Kwok	D18/6 X

1 Claim, 2 Drawing Sheets



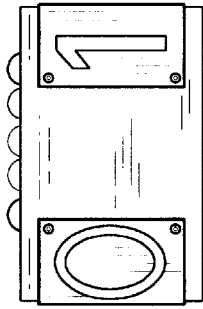


Fig. 4

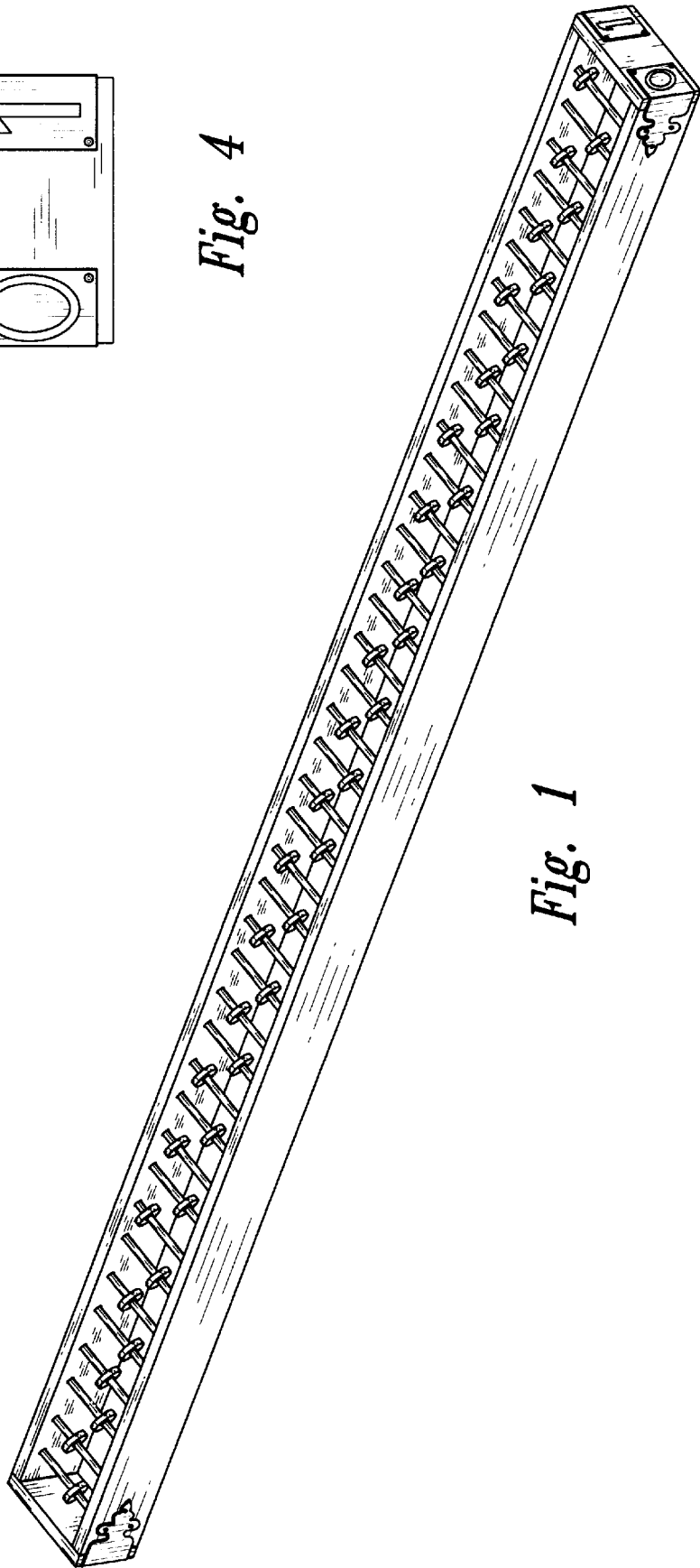


Fig. 1

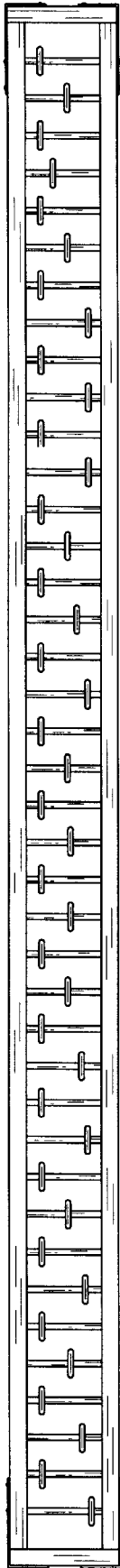


Fig. 2

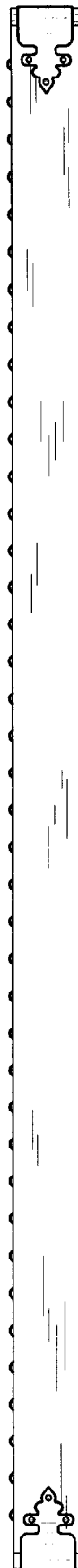


Fig. 3