

(19) World Intellectual Property Organization
International Bureau



(43) International Publication Date
30 August 2007 (30.08.2007)

PCT

(10) International Publication Number
WO 2007/098293 A3

(51) International Patent Classification:
G01R 1/073 (2006.01)

(21) International Application Number:
PCT/US2007/005198

(22) International Filing Date:
27 February 2007 (27.02.2007)

(25) Filing Language: English

(26) Publication Language: English

(30) Priority Data:
60/777,187 27 February 2006 (27.02.2006) US
11/711,319 26 February 2007 (26.02.2007) US

(71) Applicant (for all designated States except US): SV
PROBE PTE LTD. [SG/SG]; 29 Woodlands Industrial
Park E1., #04-01 North Tech, Lobby 1, Singapore 757716
(SG).

(72) Inventors; and

(75) Inventors/Applicants (for US only): KILICASLAN,
Habib [US/US]; 2146 W. Isabella Avenue #243, Mesa,
AZ 85202 (US). MCDEVITT, David F. [US/US]; 1201
E. Vinedo Lane, Tempe, AZ 85284 (US). TUNABOYLU,
Bahadir [TR/US]; 4155 W. Jasper Drive, Chandler, AZ
85226 (US). BEATSON, David T. [US/US]; 485 Green-
wood Road, Kennett Square, PA 19348 (US).

(74) Agents: BECKER, Edward A. et al.; HICKMAN
PALERMO TRUONG & BECKER LLP, 2055 Gateway
Place, Suite 550, San Jose, CA 95110 (US).

(81) Designated States (unless otherwise indicated, for every
kind of national protection available): AE, AG, AL, AM,
AT, AU, AZ, BA, BB, BG, BR, BW, BY, BZ, CA, CH, CN,
CO, CR, CU, CZ, DE, DK, DM, DZ, EC, EE, EG, ES, FI,
GB, GD, GE, GH, GM, GT, HN, HR, HU, ID, IL, IN, IS,
JP, KE, KG, KM, KN, KP, KR, KZ, LA, LC, LK, LR, LS,
LT, LU, LV, LY, MA, MD, MG, MK, MN, MW, MX, MY,
MZ, NA, NG, NI, NO, NZ, OM, PG, PH, PL, PT, RO, RS,
RU, SC, SD, SE, SG, SK, SL, SM, SV, SY, TJ, TM, TN,
TR, TT, TZ, UA, UG, US, UZ, VC, VN, ZA, ZM, ZW.

(84) Designated States (unless otherwise indicated, for every
kind of regional protection available): ARIPO (BW, GH,
GM, KE, LS, MW, MZ, NA, SD, SL, SZ, TZ, UG, ZM,
ZW), Eurasian (AM, AZ, BY, KG, KZ, MD, RU, TJ, TM),
European (AT, BE, BG, CH, CY, CZ, DE, DK, EE, ES, FI,
FR, GB, GR, HU, IE, IS, IT, LT, LU, LV, MC, NL, PL, PT,
RO, SE, SI, SK, TR), OAPI (BF, BJ, CF, CG, CI, CM, GA,
GN, GQ, GW, ML, MR, NE, SN, TD, TG).

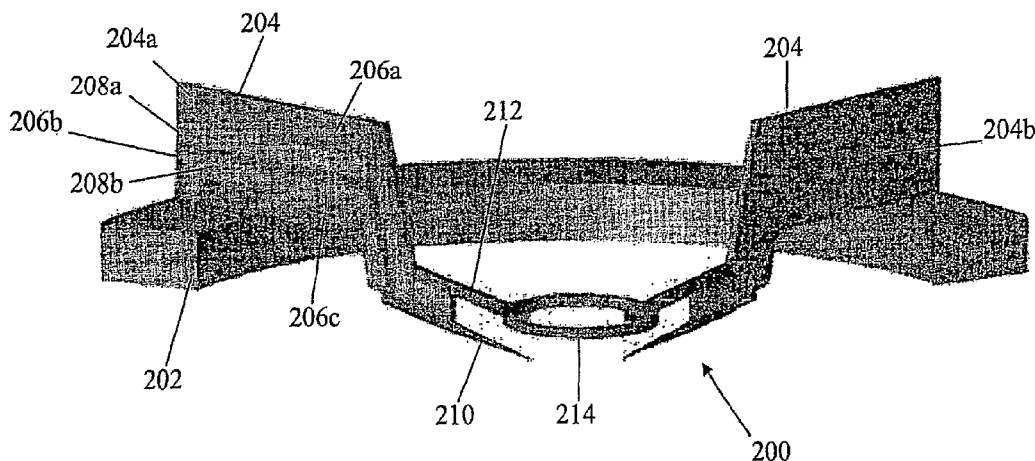
Published:

- with international search report
- before the expiration of the time limit for amending the
claims and to be republished in the event of receipt of
amendments

(88) Date of publication of the international search report:
10 January 2008

For two-letter codes and other abbreviations, refer to the "Guid-
ance Notes on Codes and Abbreviations" appearing at the begin-
ning of each regular issue of the PCT Gazette.

(54) Title: BLADE PROBE AND BLADE PROBE CARD



(57) Abstract: A blade probe card comprising: a plurality of blades, wherein each blade from the plurality of blades includes: a first end connected to a printed circuit board, a second end, a probe member attached to the second end and extending therefrom, wherein the probe member is configured to make contact with a device under test, and a ground member attached to the second end and extending therefrom; and a common ground member that is separate from the printed circuit board and coupled to the ground member of each blade from the plurality of blades.



WO 2007/098293 A3

INTERNATIONAL SEARCH REPORT

International application No
PCT/US2007/005198

A. CLASSIFICATION OF SUBJECT MATTER
INV. G01R1/073

According to International Patent Classification (IPC) or to both national classification and IPC

B. FIELDS SEARCHED

Minimum documentation searched (classification system followed by classification symbols)
G01R

Documentation searched other than minimum documentation to the extent that such documents are included in the fields searched

Electronic data base consulted during the international search (name of data base and, where practical, search terms used)

EPO-Internal, WPI Data, IBM-TDB, INSPEC

C. DOCUMENTS CONSIDERED TO BE RELEVANT

Category*	Citation of document, with indication, where appropriate, of the relevant passages	Relevant to claim No.
A	US 4 791 363 A (LOGAN) 13 December 1988 (1988-12-13) column 2, lines 52-55; figures 1,2 column 4, lines 54,55; figures 1-3,7,8 -----	1,6,15
A	WO 98/26300 A (GGB INDUSTRIES) 18 June 1998 (1998-06-18) Page 6, paragraph 4-page 7, paragraph 1figures 4,7 -----	1,9,10
A	US 5 959 460 A (JOHNSON) 28 September 1999 (1999-09-28) column 5, line 55 - column 6, line 10; figures 6-8 -----	1,11

Further documents are listed in the continuation of Box C.

See patent family annex.

* Special categories of cited documents :

- *A* document defining the general state of the art which is not considered to be of particular relevance
- *E* earlier document but published on or after the international filing date
- *L* document which may throw doubts on priority claim(s) or which is cited to establish the publication date of another citation or other special reason (as specified)
- *O* document referring to an oral disclosure, use, exhibition or other means
- *P* document published prior to the international filing date but later than the priority date claimed

- *T* later document published after the international filing date or priority date and not in conflict with the application but cited to understand the principle or theory underlying the invention
- *X* document of particular relevance; the claimed invention cannot be considered novel or cannot be considered to involve an inventive step when the document is taken alone
- *Y* document of particular relevance; the claimed invention cannot be considered to involve an inventive step when the document is combined with one or more other such documents, such combination being obvious to a person skilled in the art.
- *&* document member of the same patent family

Date of the actual completion of the international search

11 September 2007

Date of mailing of the international search report

22/11/2007

Name and mailing address of the ISA/
European Patent Office, P.B. 5818 Patentlaan 2
NL - 2280 HV Rijswijk
Tel. (+31-70) 340-2040, Tx. 31 651 epo nl,
Fax: (+31-70) 340-3016

Authorized officer

Iwansson, Kaj

INTERNATIONAL SEARCH REPORT

International application No.
PCT/US2007/005198

Box II Observations where certain claims were found unsearchable (Continuation of item 2 of first sheet)

This International Search Report has not been established in respect of certain claims under Article 17(2)(a) for the following reasons:

1. Claims Nos.:
because they relate to subject matter not required to be searched by this Authority, namely:

2. Claims Nos.:
because they relate to parts of the International Application that do not comply with the prescribed requirements to such an extent that no meaningful International Search can be carried out, specifically:

3. Claims Nos.:
because they are dependent claims and are not drafted in accordance with the second and third sentences of Rule 6.4(a).

Box III Observations where unity of invention is lacking (Continuation of item 3 of first sheet)

This International Searching Authority found multiple inventions in this international application, as follows:

see additional sheet

1. As all required additional search fees were timely paid by the applicant, this International Search Report covers all searchable claims.

2. As all searchable claims could be searched without effort justifying an additional fee, this Authority did not invite payment of any additional fee.

3. As only some of the required additional search fees were timely paid by the applicant, this International Search Report covers only those claims for which fees were paid, specifically claims Nos.:

4. No required additional search fees were timely paid by the applicant. Consequently, this International Search Report is restricted to the invention first mentioned in the claims; it is covered by claims Nos.:

1-15

Remark on Protest

- The additional search fees were accompanied by the applicant's protest.
- No protest accompanied the payment of additional search fees.

FURTHER INFORMATION CONTINUED FROM PCT/ISA/ 210

This International Searching Authority found multiple (groups of) inventions in this international application, as follows:

1. claims: 1-15

A blade probe card having a common ground member separate from a printed circuit board.

2. claims: 16-18

A blade probe card having two or more ground traces surrounding each signal trace.

INTERNATIONAL SEARCH REPORT

Information on patent family members

International application No PCT/US2007/005198
--

Patent document cited in search report		Publication date	Patent family member(s)	Publication date
US 4791363	A	13-12-1988	NONE	
WO 9826300	A	18-06-1998	AU 5895398 A EP 0944840 A1 JP 2001506752 T US 2003132769 A1 US 6603322 B1	03-07-1998 29-09-1999 22-05-2001 17-07-2003 05-08-2003
US 5959460	A	28-09-1999	US 5486770 A	23-01-1996