



US00D681286S

(12) **United States Design Patent**
Namvong et al.

(10) **Patent No.:** **US D681,286 S**

(45) **Date of Patent:** **** Apr. 30, 2013**

(54) **PET FOOD AND WATER DISH**

(76) Inventors: **Kong Namvong**, Murrieta, CA (US);
Sourichanh Thongdynamay, Menifee,
CA (US)

(**) Term: **14 Years**

(21) Appl. No.: **29/424,891**

(22) Filed: **Jun. 16, 2012**

(51) **LOC (9) Cl.** **30-03**

(52) **U.S. Cl.**

USPC **D30/130; D30/133; D30/132; D30/129**

(58) **Field of Classification Search** **D30/121,**
D30/122, 129-133; 119/61, 61.52-61.54,
119/62, 63, 51.02, 61.5, 51.5, 51.12, 74,
119/57.8, 18, 51.01, 61.3, 52.03, 52.04, 57.9,
119/61.55, 72, 61.57; D7/553.1, 502, 504,
D7/505, 506, 553-555, 550.1, 557.1; D27/134;
220/263, 657, 659, 495.01

See application file for complete search history.

(56) **References Cited**

U.S. PATENT DOCUMENTS

D9,661 S *	12/1876	Heuacker	D7/555
531,527 A	12/1894	Haag		
D38,779 S *	9/1907	Willhelm et al.	D7/555
D38,950 S *	12/1907	Anderson	D7/555
D42,682 S *	7/1912	Andersen	D7/555
D43,656 S *	2/1913	Van De Verg	D7/555
D44,315 S *	7/1913	Jansen	D7/555
D52,278 S *	8/1918	Kraus	D7/555
D57,119 S	2/1921	Eaton		
D89,791 S *	5/1933	Pitmann	D7/555
D91,084 S *	11/1933	Pitmann	D7/555
D99,827 S *	5/1936	Scaman	D7/555
D106,779 S *	11/1937	Andre	D7/360
D132,100 S *	4/1942	Ipsen	D7/555
D149,151 S *	3/1948	Southworth	D30/130
D150,917 S *	9/1948	Berg	D30/129
D157,699 S *	3/1950	Pomeroy	D7/555
D159,350 S	7/1950	La Tour		
D162,371 S *	3/1951	Bauer	D32/35
2,549,440 A *	4/1951	Erro	220/23.6
2,554,086 A *	5/1951	Block	119/51.5
2,677,350 A *	5/1954	Prestidge et al.	119/61.53

D176,252 S *	12/1955	Duncan	D7/555
D176,824 S *	1/1956	Sacha et al.	D7/555
D180,314 S *	5/1957	Bair	D7/691
2,796,042 A	6/1957	Cope		
D180,963 S *	9/1957	Silos	D7/555
D184,224 S *	1/1959	Gorzelnik	D7/555
D184,416 S *	2/1959	Anderson	D7/555
D184,888 S *	4/1959	Pickett	D7/555
D185,872 S	8/1959	Forsman		
D186,040 S *	9/1959	Stageberg	D7/566
3,051,346 A *	8/1962	Grogel	220/23.8
D196,376 S *	9/1963	Hines	D7/397
D199,072 S *	9/1964	Lewis	D7/555
3,205,861 A *	9/1965	Moore	119/61.3
D204,073 S *	3/1966	Lovett et al.	D7/555
3,272,181 A *	9/1966	Ramsey	119/76
D213,387 S *	2/1969	Cronheim	D7/409
D220,313 S *	3/1971	Collie	D9/737
3,589,554 A	6/1971	Smith		
D221,884 S *	9/1971	Selz	D7/555
D223,586 S *	5/1972	Burden	D7/555
D232,203 S *	7/1974	Montgomery	D7/555

(Continued)

OTHER PUBLICATIONS

U.S. Appl. No. 29/301,204, Namvong.

Primary Examiner — Susan Moon Lee

(57) **CLAIM**

The ornamental design for a pet food and water dish, as shown and described.

DESCRIPTION

FIG. 1 is a top view of the pet food and water dish showing the design.

FIG. 2 is a front side view of the design;

FIG. 3 is a rear side view of the design;

FIG. 4 is a bottom view of the design;

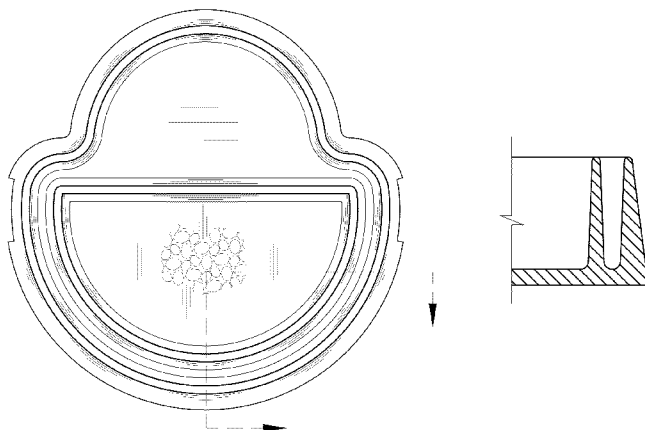
FIG. 5 is a right side view of the design;

FIG. 6 is a left side view of the design; and,

FIG. 7 is a partial cross-sectional elevation view as indicated by the view lines in FIG. 1.

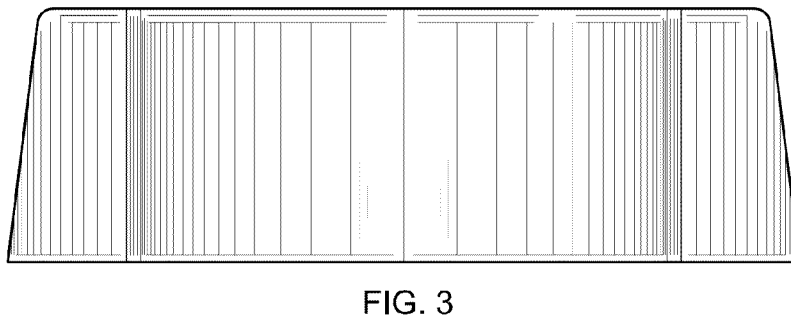
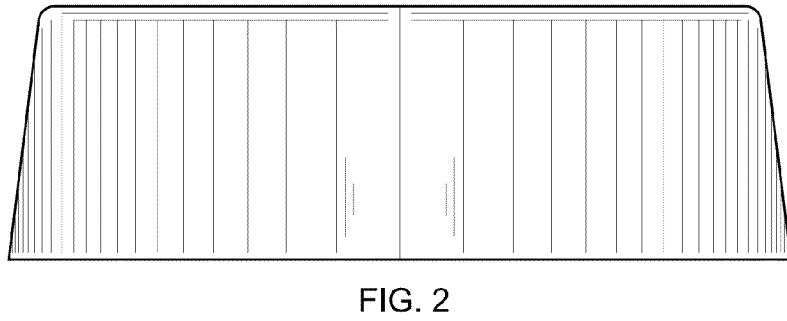
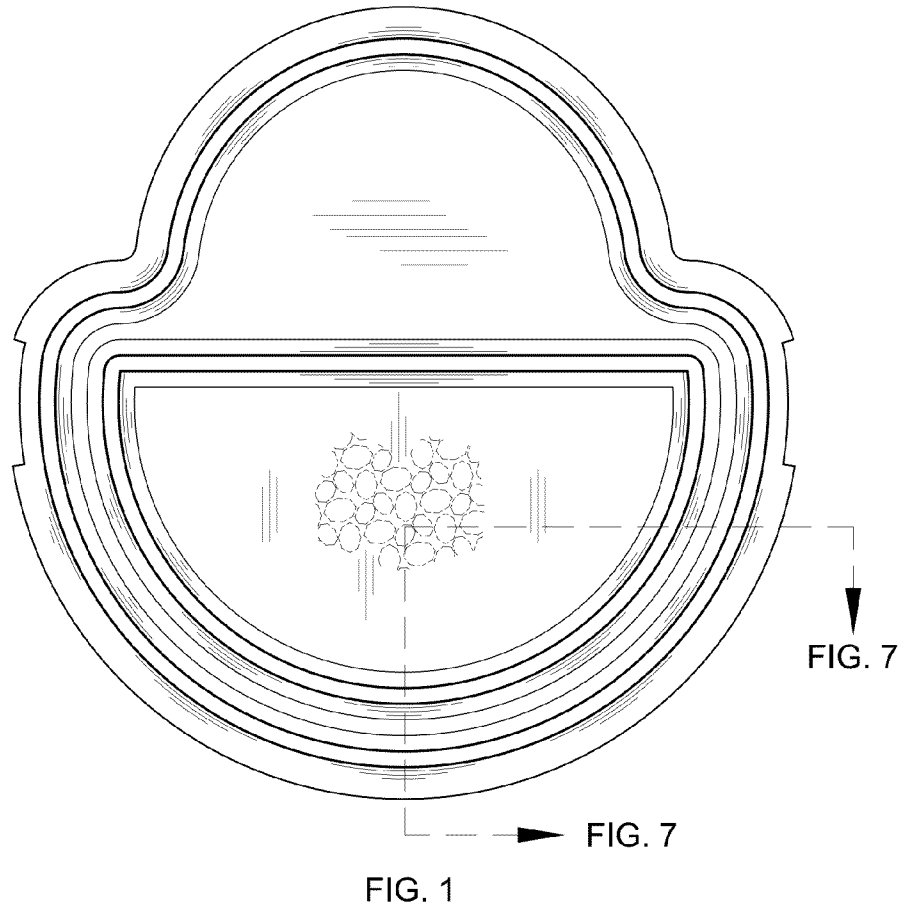
The broken line showing of food in FIG. 1 is for illustrative purposes only and forms no part of the claimed design.

1 Claim, 2 Drawing Sheets



U.S. PATENT DOCUMENTS		
3,841,268	A	10/1974 Bunger
3,903,845	A *	9/1975 Little 119/81
4,003,340	A	1/1977 Kuzara et al.
D244,947	S	7/1977 Gerber
D244,948	S *	7/1977 Foley et al. D30/130
4,128,080	A	12/1978 Haney
D254,454	S	3/1980 Clungston
D254,754	S *	4/1980 Harrison D30/129
D257,108	S *	9/1980 Daenen D7/587
D262,069	S *	11/1981 Khider D30/130
D268,645	S *	4/1983 Phillips et al. D9/761
D268,728	S	4/1983 Poling
D269,045	S	5/1983 Easton
D289,452	S *	4/1987 Fuller D30/132
D294,531	S	3/1988 Neuzig
D297,115	S *	8/1988 Fontana et al. D9/737
D297,116	S *	8/1988 Fontana et al. D9/737
D297,117	S *	8/1988 Fontana et al. D9/737
D297,118	S *	8/1988 Fontana et al. D9/737
D297,119	S *	8/1988 Fontana et al. D9/737
D297,865	S *	9/1988 Eskina D27/102
D299,771	S *	2/1989 Kennedy D30/130
D302,755	S	8/1989 Zaliti
D305,191	S *	12/1989 Wasserman D7/555
4,896,627	A	1/1990 Riddell
4,925,047	A *	5/1990 Valentine et al. 220/23.83
D309,846	S *	8/1990 Pozzi D7/587
D312,896	S	12/1990 Goetz
D313,488	S *	1/1991 Conner D30/130
D313,489	S *	1/1991 Conner D30/130
4,989,742	A *	2/1991 Powell 220/23.4
D326,742	S	6/1992 Tart
5,153,950	A	10/1992 Sowers
5,184,750	A *	2/1993 Moller 220/575
5,236,119	A *	8/1993 Chu 229/407
D342,353	S	12/1993 Anastasi
5,277,149	A	1/1994 East
D345,084	S *	3/1994 Williams D7/553.8
D346,465	S	4/1994 Russell et al.
D347,354	S *	5/1994 Naft D7/354
D351,997	S *	11/1994 Finnah D9/737
D352,367	S *	11/1994 Gryzlak D30/123
D353,742	S *	12/1994 Lewis et al. D7/558
5,381,901	A *	1/1995 Hundley 206/457
D359,494	S *	6/1995 Hedaya D14/224
D360,497	S	7/1995 Lewis
D363,573	S *	10/1995 Rehn D30/130
5,485,806	A	1/1996 Watanabe
D373,052	S *	8/1996 Di Biase D7/555
D374,515	S	10/1996 Benson, II
5,560,315	A	10/1996 Lampe
5,588,393	A *	12/1996 Heilborn 119/28.5
5,598,944	A *	2/1997 Aragona 220/575
5,632,228	A	5/1997 Ybarra
D386,075	S *	11/1997 Hayes et al. D9/761
D386,358	S *	11/1997 Pfeilsticker D7/555
5,697,512	A *	12/1997 Brickley 220/23.8
D390,418	S *	2/1998 Jagger D7/549
D393,798	S *	4/1998 Joswick D9/737
5,743,210	A	4/1998 Lampe
D394,001	S *	5/1998 Vilos D9/737
5,775,255	A *	7/1998 Louviere, III 119/51.5
5,794,564	A	8/1998 Paro
D398,524	S *	9/1998 Waterhouse D9/737
D401,009	S *	11/1998 Hicaro et al. D27/102
D402,509	S *	12/1998 Indeku D7/566
5,842,437	A	12/1998 Burns
5,853,105	A *	12/1998 Roman et al. 220/575
D405,561	S *	2/1999 Willinger et al. D30/129
D410,820	S *	6/1999 Lofrano D7/549
D413,416	S	8/1999 Frank
D414,409	S *	9/1999 Sanfilippo et al. D9/761
D415,657	S *	10/1999 Cornelissen D7/566
D415,933	S *	11/1999 Cornelissen D7/587
D417,366	S *	12/1999 Obra D7/549
D424,426	S *	5/2000 Fletcher D9/737
D426,751	S *	6/2000 Obra D7/555
6,079,067	A *	6/2000 Becker et al. 5/655
D429,964	S *	8/2000 Miller et al. D7/553.4
6,119,628	A *	9/2000 Lorenzana et al. 119/77
D434,276	S *	11/2000 Obra D7/555
D436,697	S *	1/2001 Fiore et al. D30/118
D436,854	S *	1/2001 Feldmeier D9/434
D440,362	S *	4/2001 Thornberg D30/130
6,212,804	B1 *	4/2001 Richard 40/406
D442,484	S *	5/2001 Maxwell et al. D9/761
D444,034	S *	6/2001 Miller et al. D7/546
D449,137	S	10/2001 Newman
D456,216	S *	4/2002 Kothe D7/549
6,390,323	B1 *	5/2002 Alticosalian 220/495.03
D459,144	S *	6/2002 Brady D7/354
6,428,288	B1 *	8/2002 King 417/366
D467,125	S *	12/2002 Orr et al. D7/541
D474,687	S *	5/2003 Jones et al. D9/761
D480,921	S *	10/2003 Roehrig D7/543
D481,594	S *	11/2003 Roehrig D7/555
D486,274	S	2/2004 Tsengas
D492,196	S *	6/2004 Hyhlik et al. D9/737
D494,463	S *	8/2004 Tsao D9/761
D497,041	S *	10/2004 Plante D30/130
D505,082	S *	5/2005 Bruce et al. D9/737
D511,593	S	11/2005 Ebesu
D512,801	S	12/2005 Kratzer et al.
D516,393	S *	3/2006 Wickenhauser D7/701
D520,749	S *	5/2006 Boutin D3/304
D529,820	S *	10/2006 Kissner et al. D9/737
D529,821	S *	10/2006 Wilcox et al. D9/761
D530,982	S *	10/2006 Faktorovich D7/549
D531,054	S *	10/2006 Sagel D9/737
D531,849	S *	11/2006 Turner D7/332
D552,934	S *	10/2007 Dulaney D7/555
D556,952	S	12/2007 Petersen
D561,408	S	2/2008 Marsh
D562,078	S *	2/2008 Herssein D7/555
D569,193	S *	5/2008 El Ghouyel D7/602
D571,228	S *	6/2008 Maslowski D9/737
D574,229	S *	8/2008 Terrasi D9/416
D584,108	S *	1/2009 Olsson D7/553.1
D587,515	S *	3/2009 Cheng D7/354
D587,971	S *	3/2009 Peabody et al. D7/555
D595,154	S *	6/2009 Nicholson et al. D9/737
D596,893	S *	7/2009 Tosdale et al. D7/354
D602,653	S	10/2009 Mendenhall
D603,106	S *	10/2009 Ragonetti et al. D30/130
D604,992	S *	12/2009 Klein D7/541
D616,618	S *	5/2010 Pearcey D30/162
D621,560	S	8/2010 McMurphy
D623,020	S *	9/2010 De Bretton Gordon D7/555
D623,021	S *	9/2010 De Bretton Gordon D7/555
D623,479	S *	9/2010 De Bretton Gordon D7/555
D642,337	S	7/2011 Namvong et al.
D644,124	S *	8/2011 Cocchioni D9/737
D644,125	S *	8/2011 Cocchioni D9/737
7,987,817	B2 *	8/2011 Johnson 119/74
D645,355	S *	9/2011 D'Amato D9/522
D652,683	S *	1/2012 Munoz D7/555
D653,000	S *	1/2012 Rutherford D30/130
D658,818	S *	5/2012 Lipscomb D30/132
D659,301	S *	5/2012 Lipscomb et al. D30/132
D659,913	S *	5/2012 Spectre et al. D30/130
D659,914	S *	5/2012 Lipscomb D30/132
D664,308	S *	7/2012 Crystal D30/130
D665,221	S *	8/2012 Tosdale et al. D7/354
D669,368	S *	10/2012 Ehrmann D9/737
2002/0066738	A1 *	6/2002 Agarwal et al. 220/574.1
2003/0141309	A1 *	7/2003 Agarwal et al. 220/575

* cited by examiner



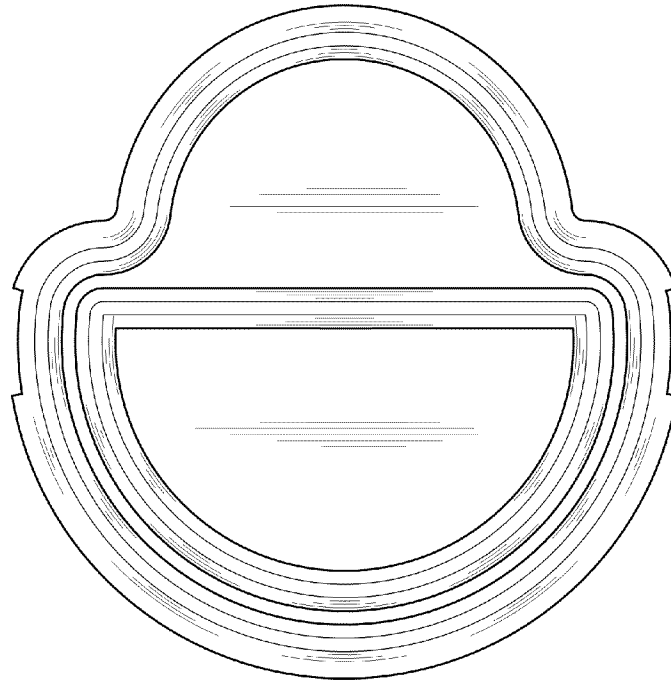


FIG. 4

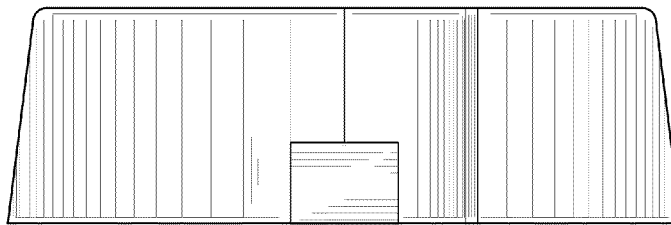


FIG. 5

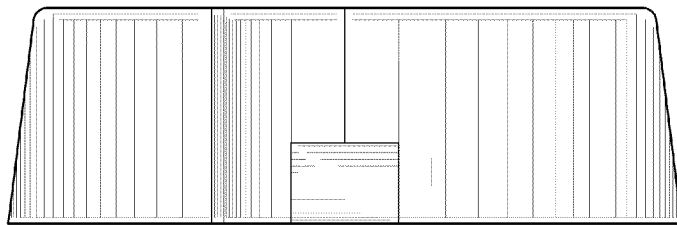


FIG. 6

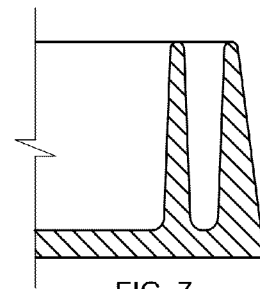


FIG. 7