



US00D830804S

(12) **United States Design Patent**
Sell et al.

(10) **Patent No.:** **US D830,804 S**

(45) **Date of Patent:** **** Oct. 16, 2018**

(54) **HAMMER DRILL QUICK CHANGE CHUCK**

(71) Applicant: **Black & Decker Inc.**, New Britain, CT (US)

(72) Inventors: **Stefan Sell**, Mainz (DE); **Pablo Garcia**, Wiesbaden (DE)

(73) Assignee: **Black & Decker Inc.**, New Britain, CT (US)

(**) Term: **15 Years**

(21) Appl. No.: **29/629,635**

(22) Filed: **Dec. 14, 2017**

(30) **Foreign Application Priority Data**

Jun. 14, 2017 (EP) 004047595-0001

(51) **LOC (11) Cl.** **08-04**

(52) **U.S. Cl.**
USPC **D8/67**

(58) **Field of Classification Search**

USPC D8/14.1, 61-70; 81/429, 454-456, 469, 81/489; 173/104, 114, 168-171, 178, 173/201, 211, 213, 217; 408/20, 124, 408/125, 234; 388/809

CPC B25D 16/00; B25D 17/00; B25F 5/02
See application file for complete search history.

(56) **References Cited**

U.S. PATENT DOCUMENTS

D447,032 S * 8/2001 Schoen D8/67
D488,978 S * 4/2004 Cheung D8/68
D491,438 S * 6/2004 Cheung D8/68
D502,374 S * 3/2005 Aglassinger D8/68
D502,377 S * 3/2005 Aglassinger D8/69
D503,079 S * 3/2005 Aglassinger D8/69
D507,950 S * 8/2005 Aglassinger D8/68
D508,388 S * 8/2005 Aglassinger D8/69

D511,286 S * 11/2005 Aglassinger D8/68
D515,383 S * 2/2006 Aglassinger D8/69
D521,337 S * 5/2006 Cheung D8/68
D534,407 S * 1/2007 Waldron D8/69
D594,304 S * 6/2009 Aglassinger D8/67
D615,838 S * 5/2010 Aglassinger D8/69
D618,529 S * 6/2010 Stirn D8/69
D631,720 S * 2/2011 Aglassinger D8/67
D631,721 S * 2/2011 Aglassinger D8/67

(Continued)

Primary Examiner — Austin Murphy

(74) *Attorney, Agent, or Firm* — Amir Rohani

(57) **CLAIM**

The ornamental design for a hammer drill quick change chuck, as shown and described.

DESCRIPTION

FIG. 1 is a perspective view of a hammer drill having a quick change chuck;

FIG. 2 is a view from one side thereof;

FIG. 3 is a view from the other side thereof;

FIG. 4 is a front view thereof;

FIG. 5 is a rear view thereof;

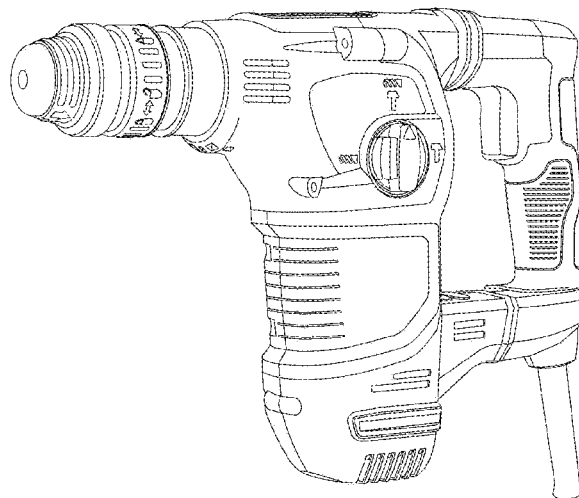
FIG. 6 is a top view thereof; and,

FIG. 7 is a bottom view thereof.

The inventive aspects of the current embodiments exist in the hammer drill having the quick change chuck as a whole, in individual portions and/or elements thereof—particularly the quick change chuck individually—and in combinations of portions and elements of the hammer drill and/or the quick change chuck.

Some of the photographic drawings may include trademarks and other indicia thereon. Applicant's invention also includes the design without the trademarks and other indicia thereon. Applicant's invention further includes a continuous surface and/or pattern in lieu of the trademarks and/or other indicia.

1 Claim, 7 Drawing Sheets



(56)

References Cited

U.S. PATENT DOCUMENTS

D765,485 S * 9/2016 Holst D8/68
D815,933 S * 4/2018 Koeniger D8/69

* cited by examiner

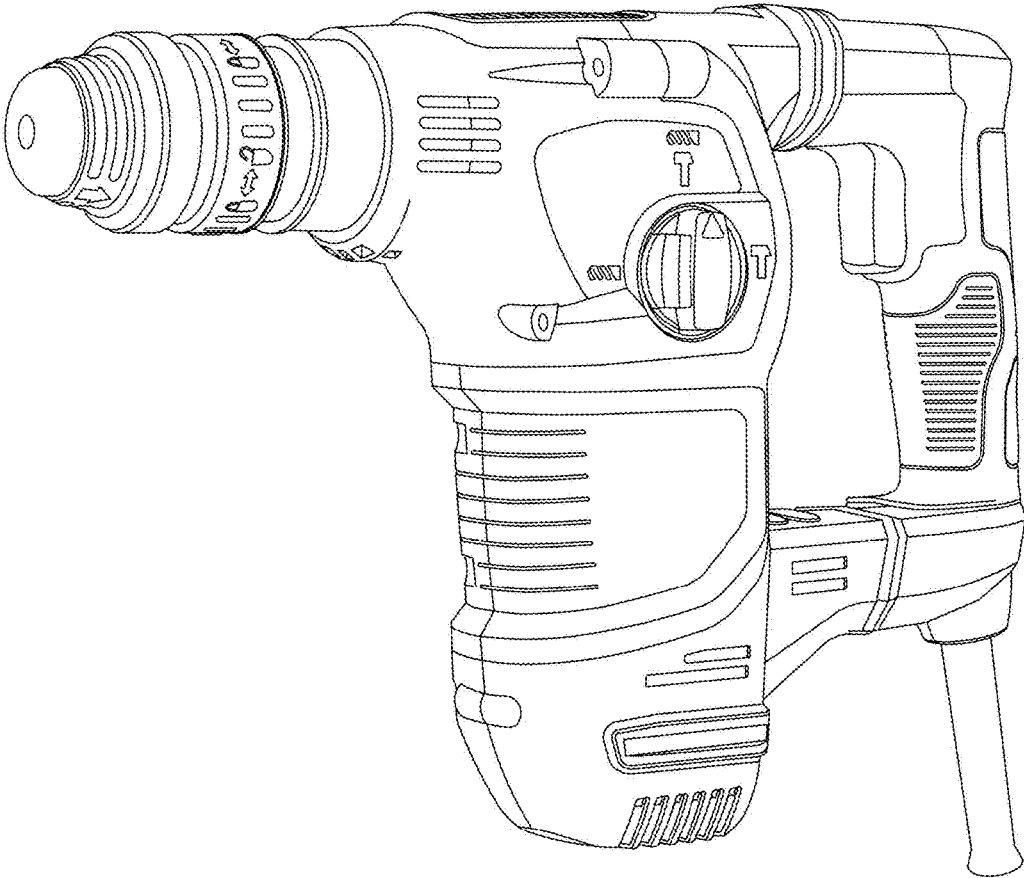


FIG. 1

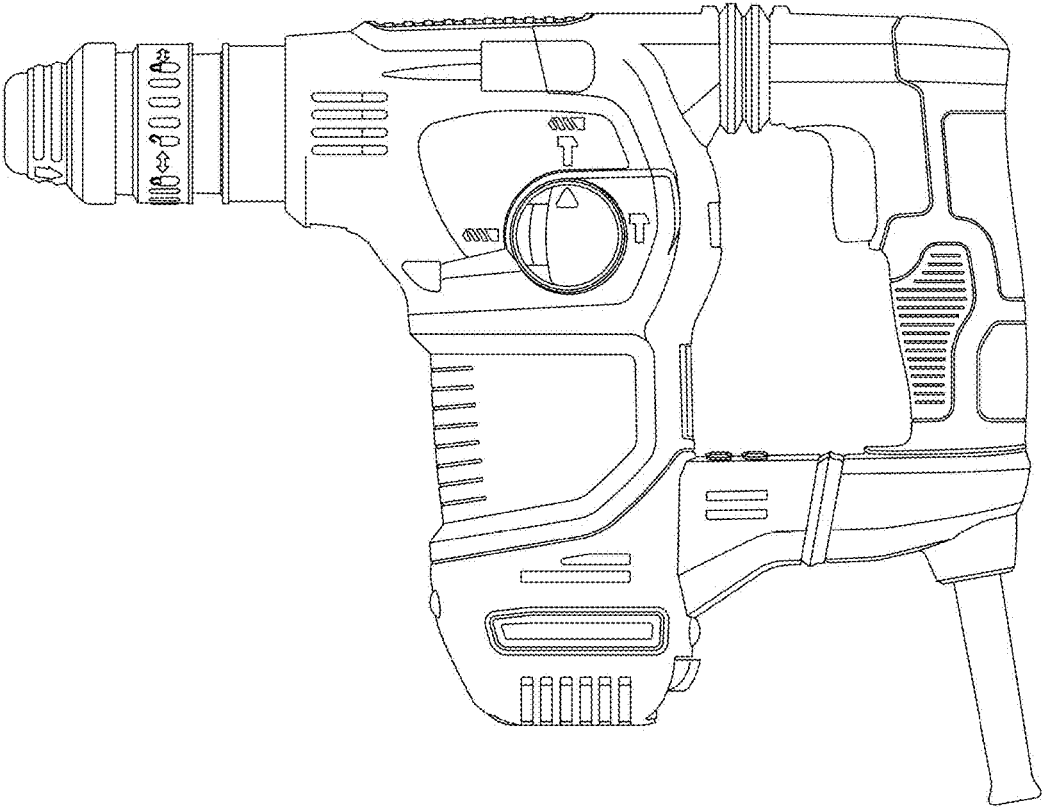


FIG. 2

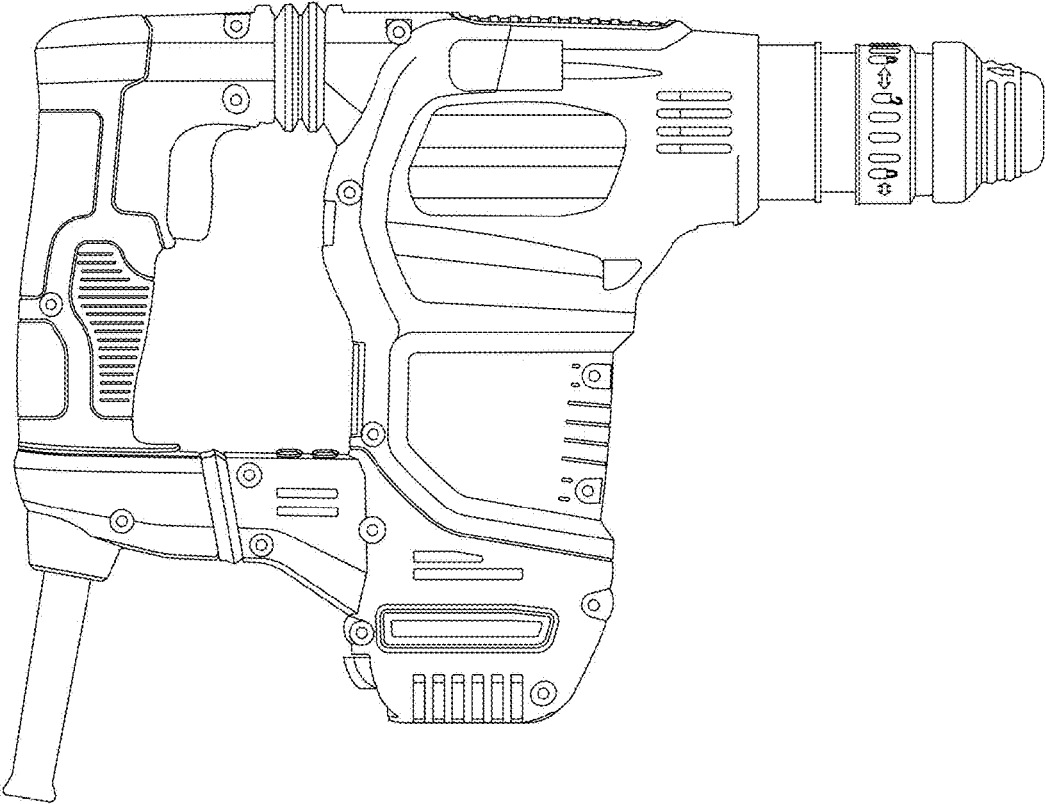


FIG. 3

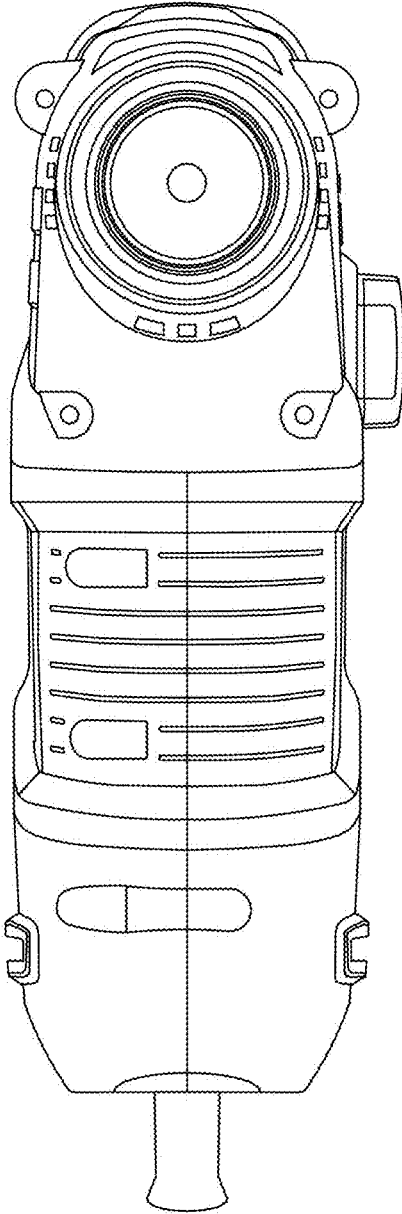


FIG. 4

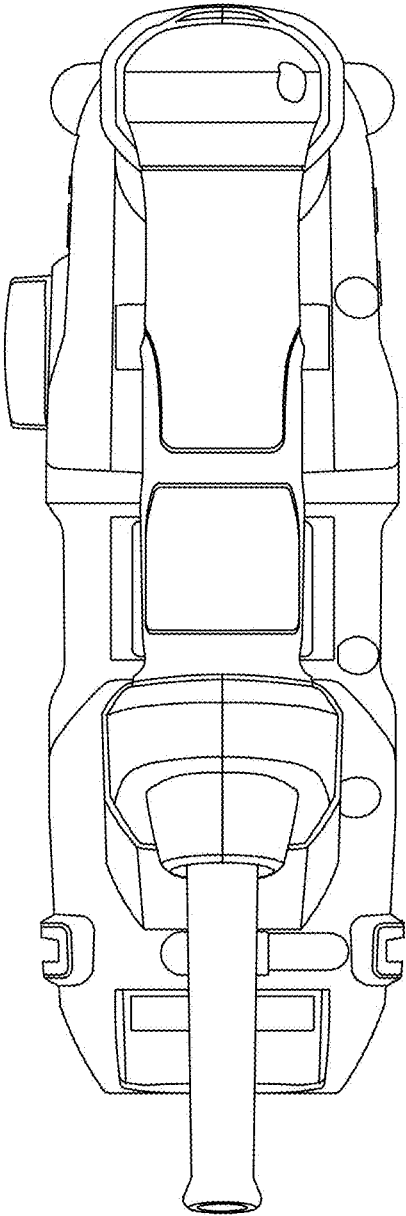


FIG. 5

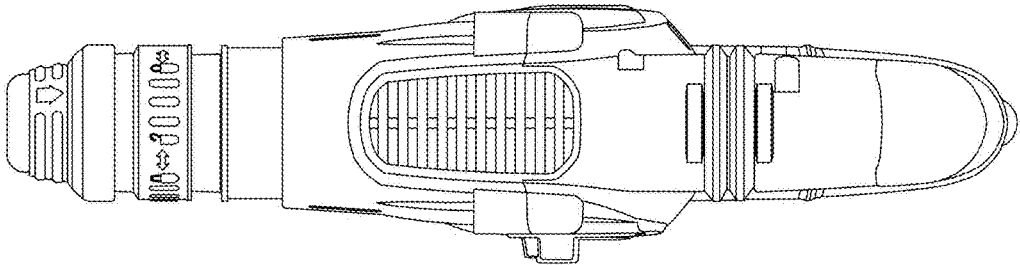


FIG. 6

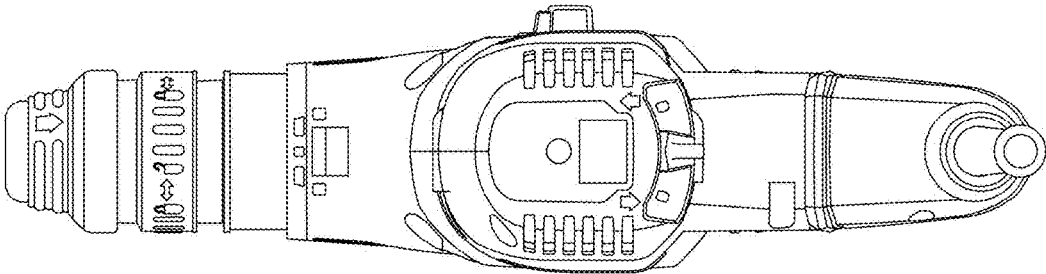


FIG. 7