



US00D802411S

(12) **United States Design Patent**  
**Teng et al.**

(10) **Patent No.:** **US D802,411 S**

(45) **Date of Patent:** **\*\* Nov. 14, 2017**

- (54) **CUSHION DEVICE**
- (71) Applicant: **Acer Incorporated**, New Taipei (TW)
- (72) Inventors: **Fu-Sheng Teng**, New Taipei (TW);  
**I-Huei Huang**, New Taipei (TW)
- (73) Assignee: **ACER INCORPORATED**, New Taipei (TW)
- (\*\*) Term: **15 Years**
- (21) Appl. No.: **29/530,644**
- (22) Filed: **Jun. 18, 2015**

D411,739 S *	6/1999	Havens .....	D8/403
D479,799 S *	9/2003	Zamberg .....	D8/403
D736,055 S *	8/2015	Funnell, II .....	D8/315
D741,139 S *	10/2015	Sheppard .....	D8/319
D751,830 S *	3/2016	Speckhart .....	D6/313
D769,115 S *	10/2016	Shimizu .....	D9/432

**OTHER PUBLICATIONS**

4 pcs Baby Furniture Corner Safety Bumper Security Table Desk Corner Edge U type Protector Guard Cushion Softener (Black) posted by sphtoeo on Feb. 16, 2014 found on Jun. 20, 2017 at [https://www.amazon.com/Furniture-Security-Protector-Cushion-Softener/dp/B00EMZ37CC/ref=cm\\_cr\\_ar\\_p\\_d\\_pdt\\_img\\_top?ie=UTF8&th=1](https://www.amazon.com/Furniture-Security-Protector-Cushion-Softener/dp/B00EMZ37CC/ref=cm_cr_ar_p_d_pdt_img_top?ie=UTF8&th=1).\*

\* cited by examiner

*Primary Examiner* — Robert M Spear

*Assistant Examiner* — Eliza Bennett-Hattan

(74) *Attorney, Agent, or Firm* — McClure, Qualey & Rodack, LLP

(30) **Foreign Application Priority Data**

Dec. 18, 2014 (TW) ..... 103307457

(51) **LOC (10) Cl.** ..... **08-09**

(52) **U.S. Cl.**

USPC ..... **D8/403**

(58) **Field of Classification Search**

USPC ..... D24/137, 138, 121, 112, 194, 133;  
D6/300; D8/402, 403, 400, 300, 316,  
D8/319, 320; D9/759, 424, 432, 442,  
D9/501, 445

CPC ..... A47B 95/043

See application file for complete search history.

(57) **CLAIM**

The ornamental design for a cushion device, as shown and described.

**DESCRIPTION**

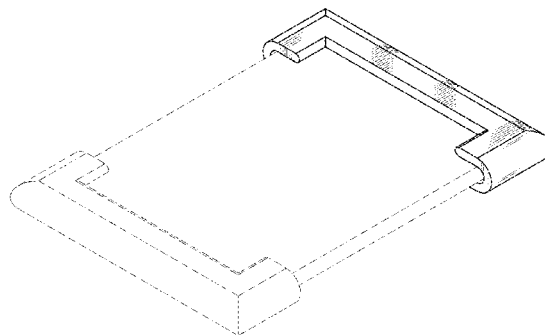
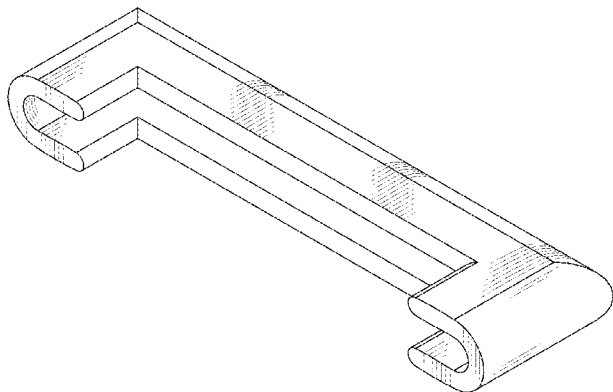
FIG. 1 is a perspective view thereof;  
FIG. 2 is a front view thereof;  
FIG. 3 is a rear view thereof;  
FIG. 4 is a left side view thereof;  
FIG. 5 is a right side view thereof;  
FIG. 6 is a top view thereof;  
FIG. 7 is a bottom view thereof; and,  
FIG. 8 is an exemplary diagram of the use of the cushion device thereof, the broken lines depict environmental subject matter only and form no part of the claimed design.

(56) **References Cited**

**U.S. PATENT DOCUMENTS**

D179,941 S *	3/1957	Heyer .....	D8/319
D244,511 S *	5/1977	Frisbey .....	D9/432
D267,460 S *	1/1983	Heintz .....	D6/314
D268,847 S *	5/1983	Hollister, Sr. ....	D19/20
D281,484 S *	11/1985	Dickes .....	D9/432
D342,205 S *	12/1993	Ritz .....	D9/432

**1 Claim, 8 Drawing Sheets**



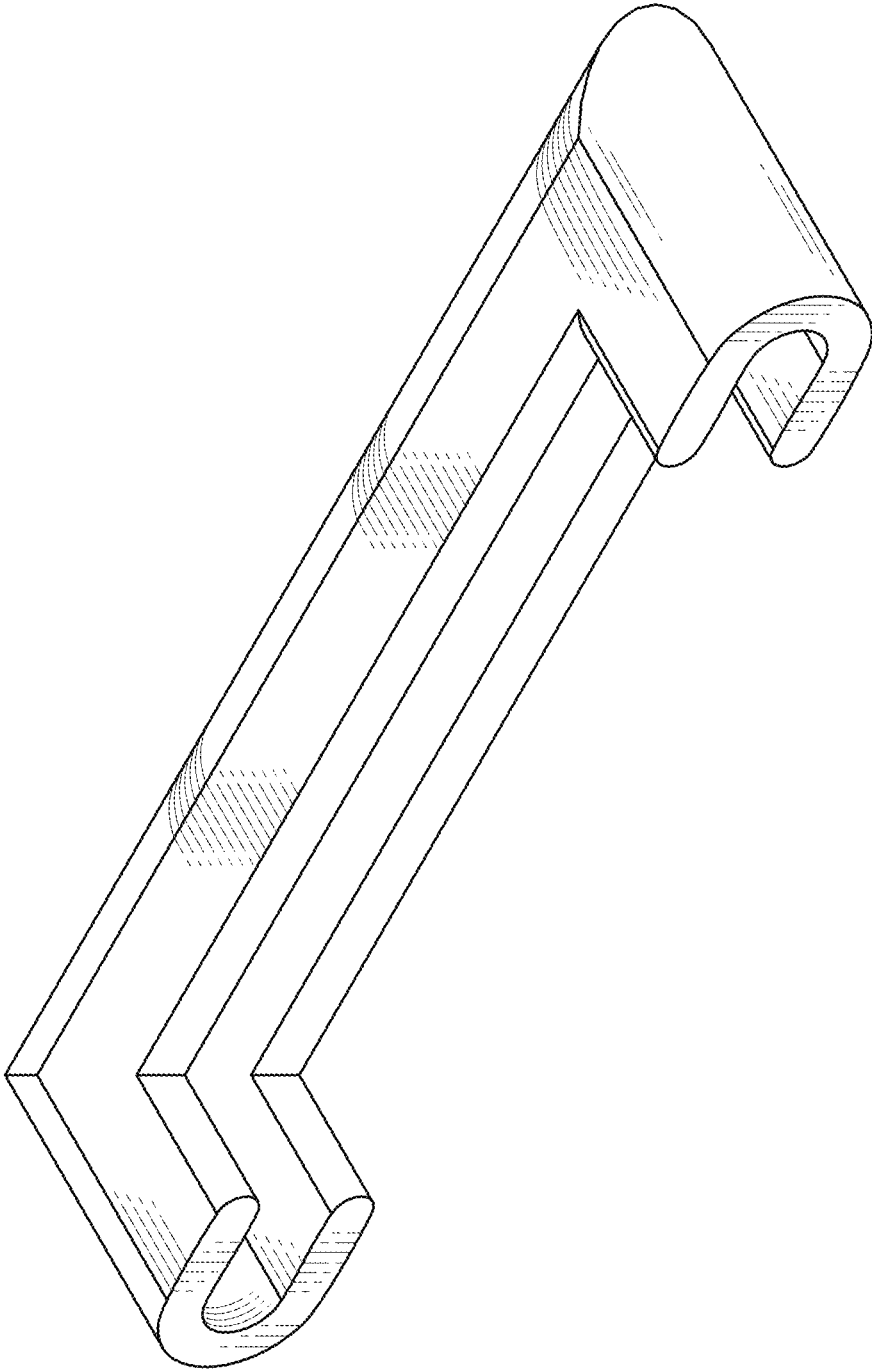


FIG. 1

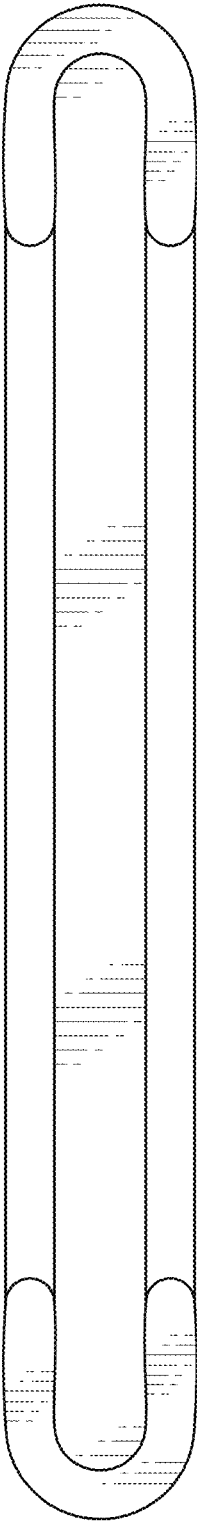


FIG. 2

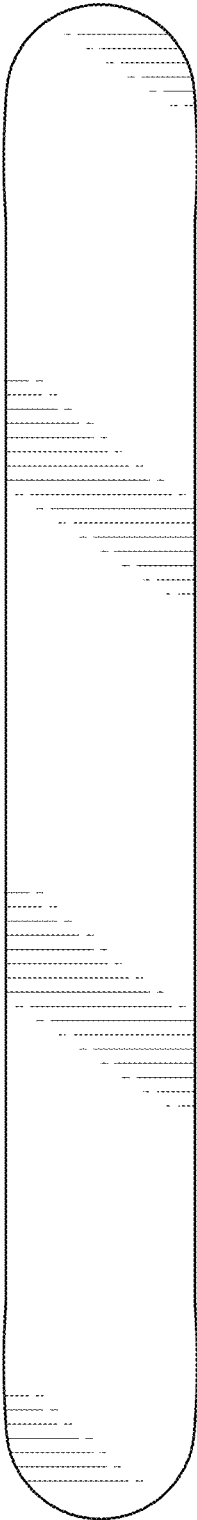


FIG. 3

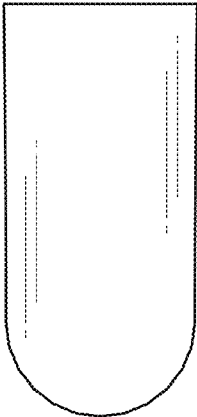


FIG. 4

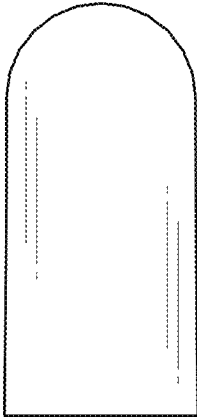


FIG. 5

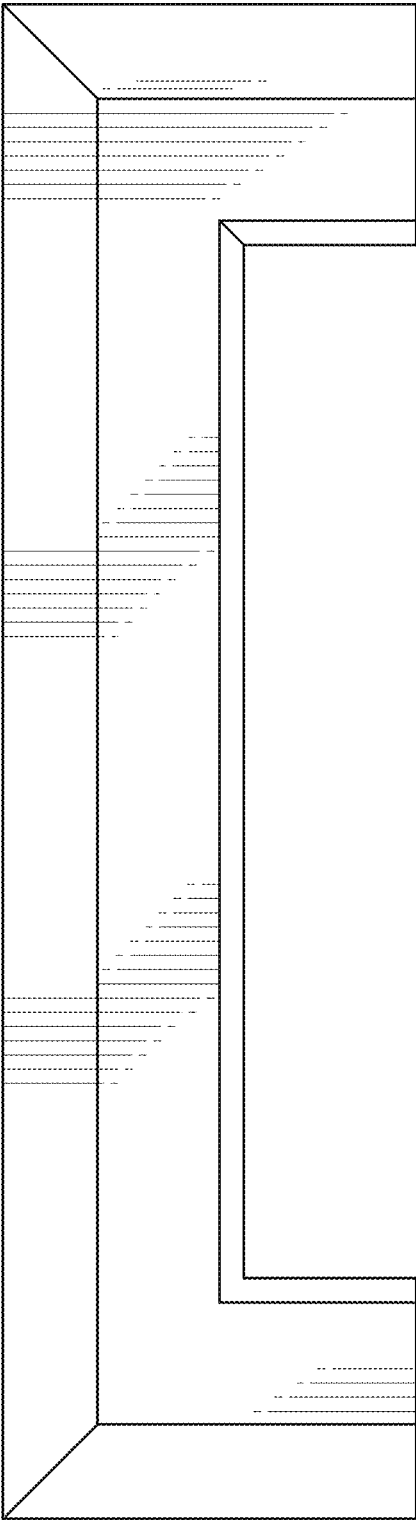


FIG. 6

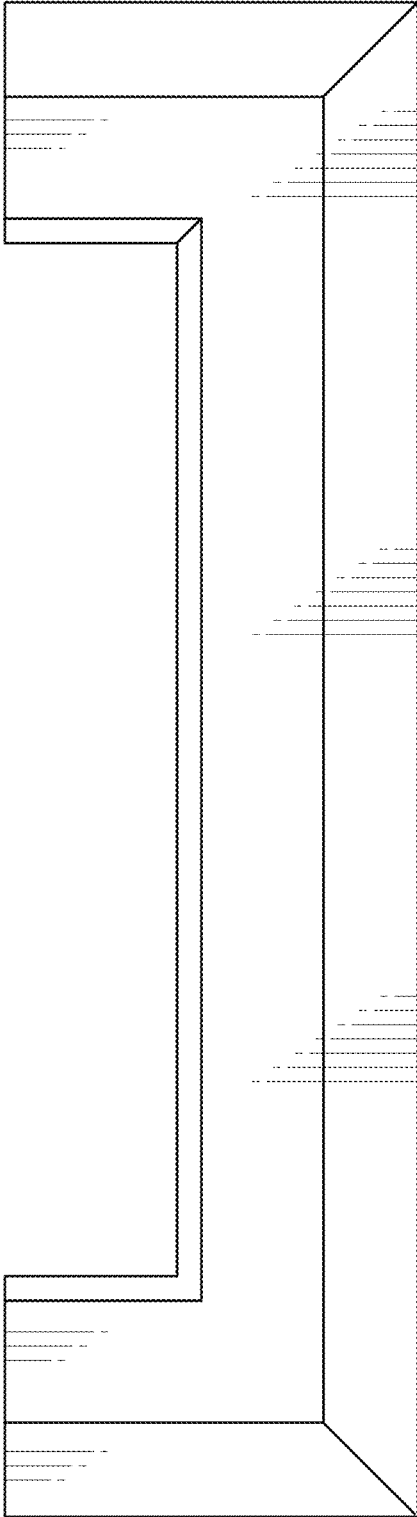


FIG. 7

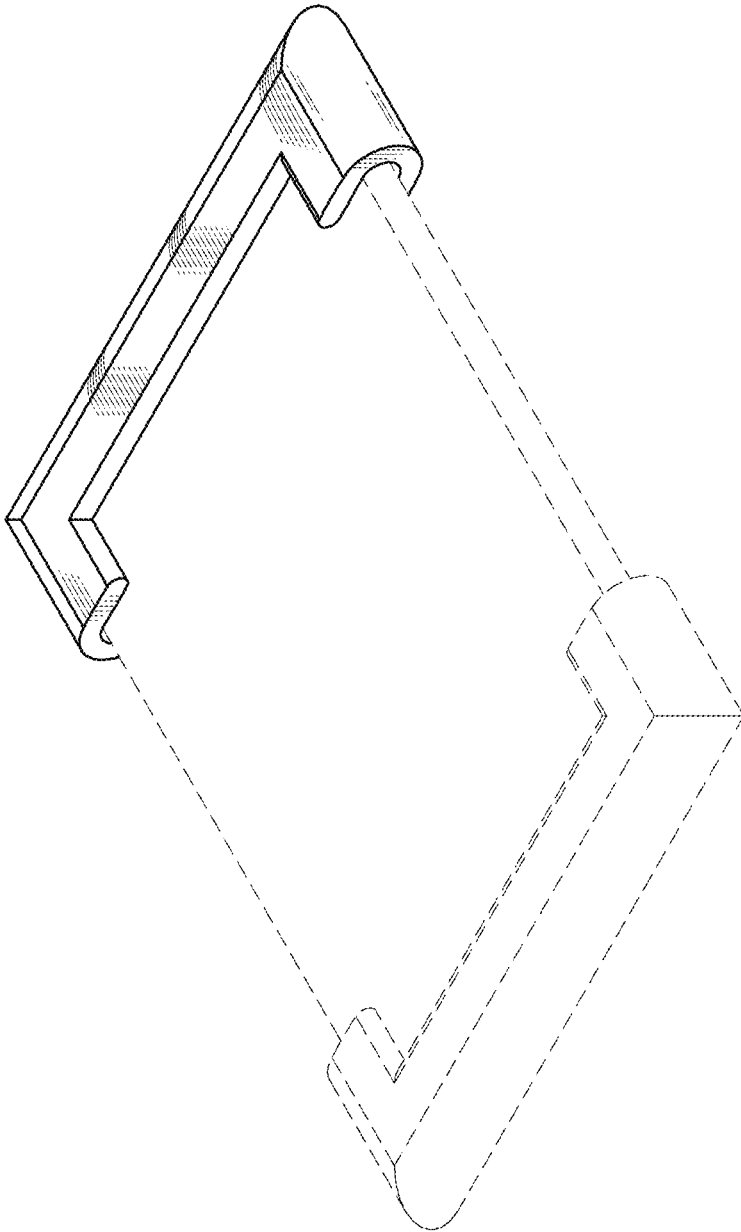


FIG. 8