



US00D737526S

(12) **United States Design Patent**  
**Hong**

(10) **Patent No.:** **US D737,526 S**

(45) **Date of Patent:** **\*\* Aug. 25, 2015**

(54) **PET FURNITURE**

(71) Applicant: **Amy Mun Hong**, Kirkland, WA (US)

(72) Inventor: **Amy Mun Hong**, Kirkland, WA (US)

(73) Assignee: **Amy Mun Hong**, Kirkland, WA (US)

(\*\*) Term: **14 Years**

(21) Appl. No.: **29/491,523**

(22) Filed: **May 21, 2014**

(51) **LOC (10) Cl.** ..... **30-06**

(52) **U.S. Cl.**  
USPC ..... **D30/118; D6/349**

(58) **Field of Classification Search**  
USPC ..... **D30/118; D6/597, 601, 361, 382, 388,  
D6/349, 351-353, 385, 387; 119/28.5**  
See application file for complete search history.

(56) **References Cited**

**U.S. PATENT DOCUMENTS**

1,134,009	A *	3/1915	Reid	.....	D30/118
2,727,564	A *	12/1955	Gruber	.....	D6/353
D282,426	S *	2/1986	Heimberger et al.	.....	D6/492
D387,210	S *	12/1997	Hutton	.....	D6/349
D438,024	S *	2/2001	Catalano et al.	.....	D6/349
6,591,778	B1 *	7/2003	Alderman	.....	119/28.5
D532,630	S *	11/2006	Rizzi	.....	D6/500

D535,444	S *	1/2007	Rahman	.....	D30/118
D548,988	S *	8/2007	Good	.....	D6/349
D555,918	S *	11/2007	Massaud	.....	D6/349
D589,656	S *	3/2009	Toltzman et al.	.....	D30/118
D609,933	S *	2/2010	Skalka	.....	D6/381
D614,877	S *	5/2010	Garzon	.....	D6/349

\* cited by examiner

*Primary Examiner* — Cathy A MacCormac

(57) **CLAIM**

The ornamental design for an article of pet furniture, as shown and described.

**DESCRIPTION**

FIG. 1 is a front perspective view of an article of pet furniture showing my new design;

FIG. 2 is a front view thereof, the rear view is identical to the front view shown;

FIG. 3 is a left side view thereof, the right side is identical to the left side shown;

FIG. 4 is a top view thereof;

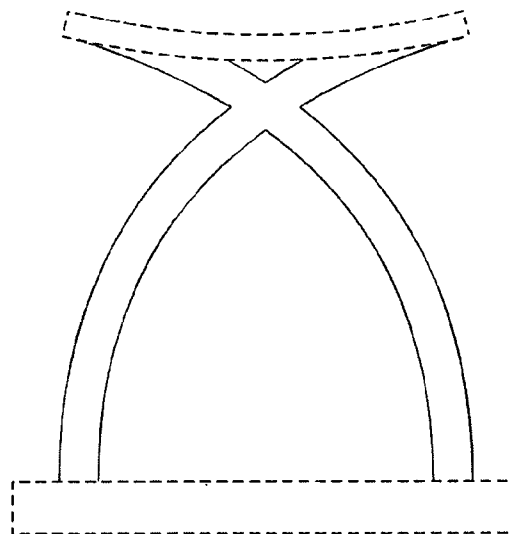
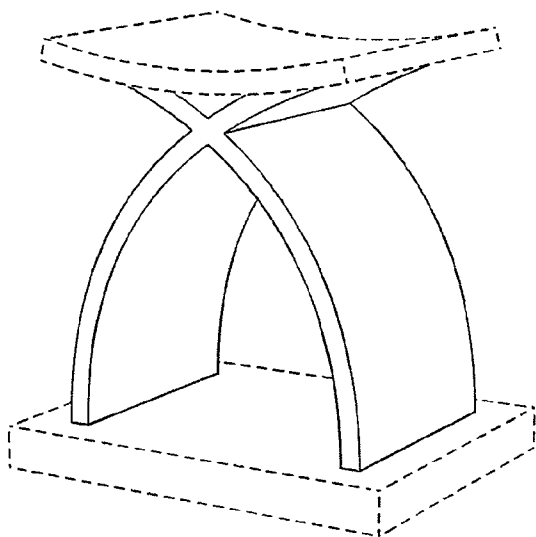
FIG. 5 is a front perspective view of a second embodiment of FIG. 1;

FIG. 6 is a front view thereof, the rear view is identical to the front view shown;

FIG. 7 is a left side view thereof, the right side is identical to the left side shown; and,

FIG. 8 is a top view thereof.

**1 Claim, 2 Drawing Sheets**



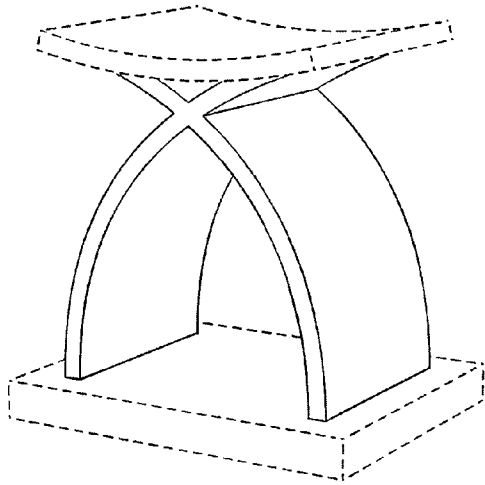


FIG. 1

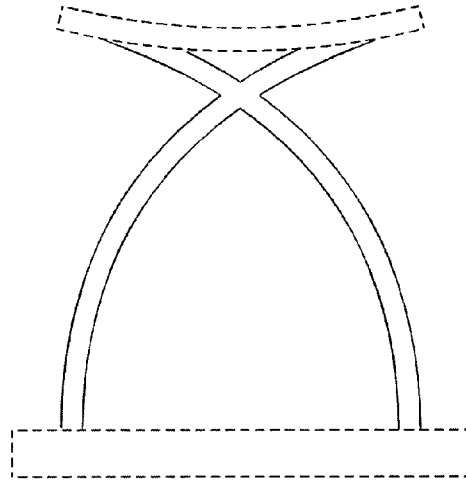


FIG. 2

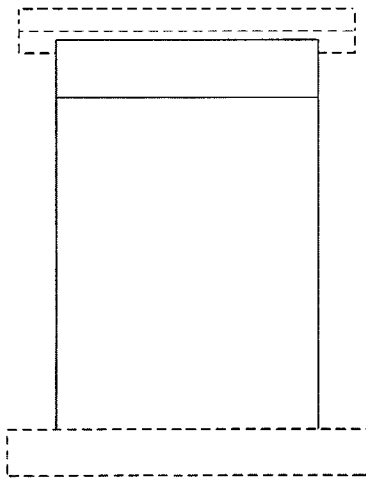


FIG. 3

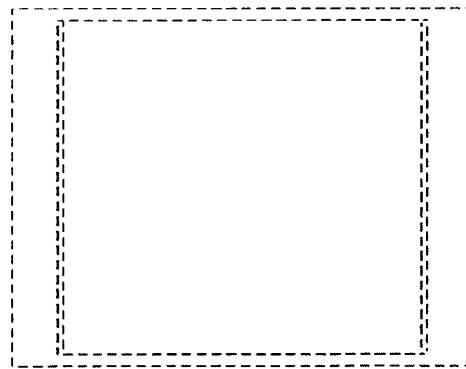


FIG. 4

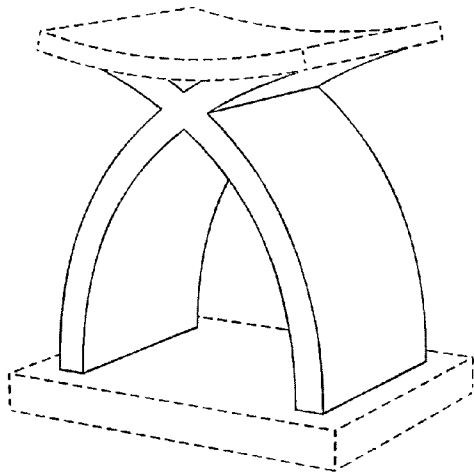


FIG. 5

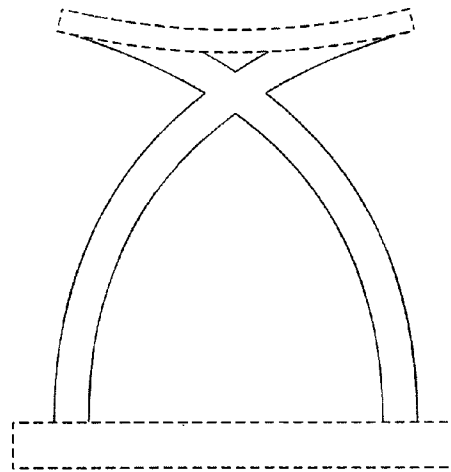


FIG. 6

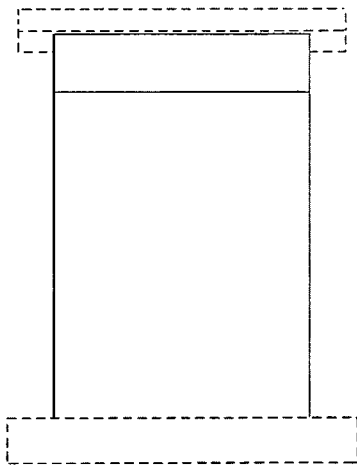


FIG. 7

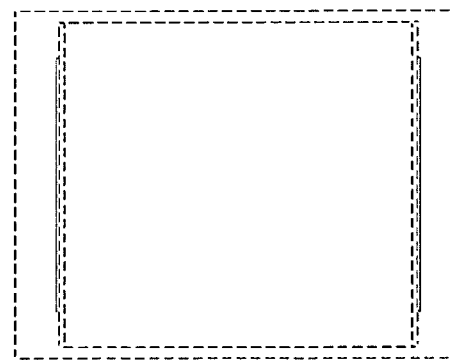


FIG. 8