



US00D422136S

United States Patent [19]
Barrick, V

[11] **Patent Number: Des. 422,136**
[45] **Date of Patent: ** *Apr. 4, 2000**

[54] **KEY FOB**

[76] Inventor: **William W Barrick, V**, 173 Santa Ana,
Long Beach, Calif. 90803

[*] Notice: This patent is subject to a terminal disclaimer.

[**] Term: **14 Years**

[21] Appl. No.: **29/065,716**

[22] Filed: **Mar. 11, 1996**

[51] **LOC (6) Cl.** **03-01**

[52] **U.S. Cl.** **D3/211**

[58] **Field of Search** D3/207-221; D11/43,
D11/44, 79, 81; 70/456 R

[56] **References Cited**

U.S. PATENT DOCUMENTS

D. 307,980 5/1990 Walters D3/211

D. 308,996 7/1990 Katz D21/229
D. 311,451 10/1990 Chan D3/211
D. 314,601 2/1991 Floreani D21/229
D. 326,040 5/1992 Wysopal D3/210

Primary Examiner—Ralf Seifert

[57] **CLAIM**

The ornamental design for a key fob, as shown and described.

DESCRIPTION

FIG. 1 is a top, left side perspective view of a key fob, showing my new design.

FIG. 2 is a top plan view thereof.

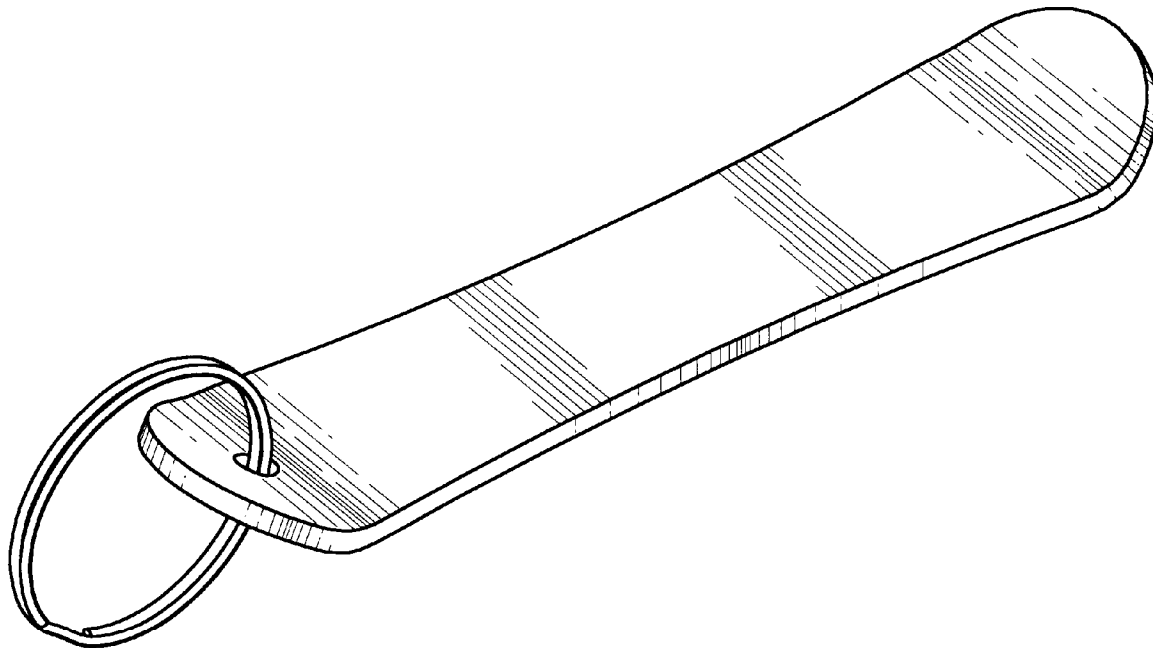
FIG. 3 is a bottom view thereof.

FIG. 4 is a left side elevational view thereof, the opposite side being identical.

FIG. 5 is a front elevational view thereof; and,

FIG. 6 is a rear elevational view thereof.

1 Claim, 2 Drawing Sheets



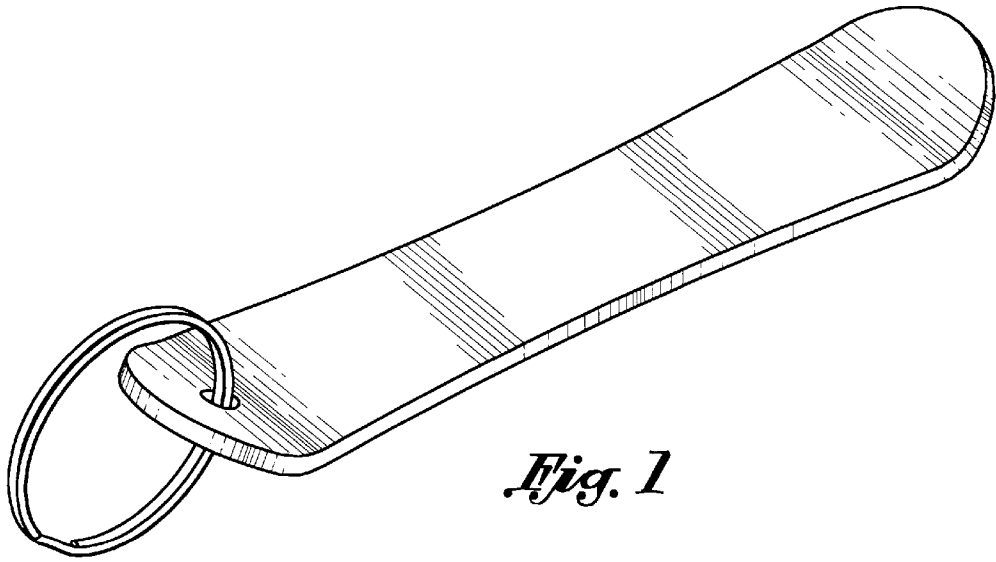


Fig. 1

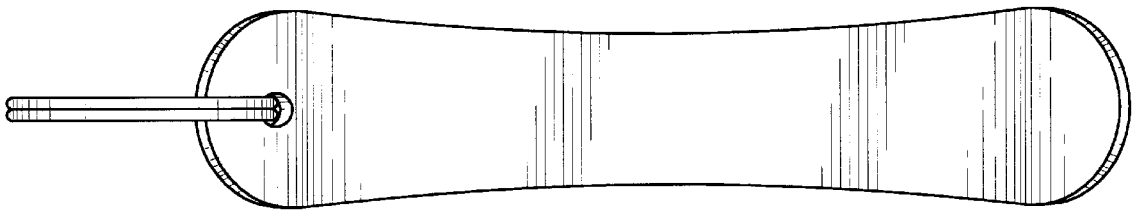


Fig. 2

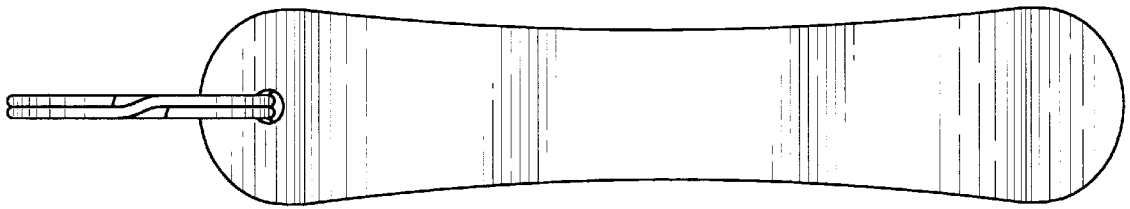


Fig. 3

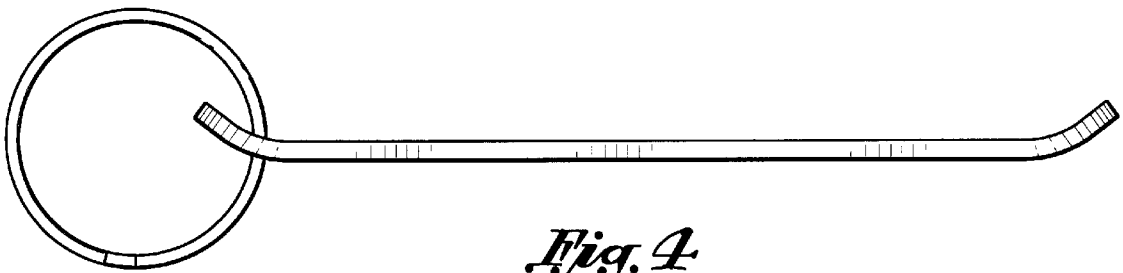


Fig. 4

