

(19) World Intellectual Property Organization
International Bureau



(43) International Publication Date
17 July 2003 (17.07.2003)

PCT

(10) International Publication Number
WO 03/057061 A1

(51) International Patent Classification⁷: **A61B 18/26**

(21) International Application Number: PCT/IL02/00018

(22) International Filing Date: 8 January 2002 (08.01.2002)

(25) Filing Language: English

(26) Publication Language: English

(71) Applicant (for all designated States except US): **BIO SCAN LTD.** [IL/IL]; P.O. Box 281, 20692 Yokneim Eilit (IL).

(72) Inventors; and

(75) Inventors/Applicants (for US only): **AHARONI, Abraham** [IL/IL]; 24B Hess Street, 76346 Rehovot (IL). **STURLES, Gideon, E.** [IL/IL]; Camoon, 20112 M.P. Bikat Beit Hakerem (IL). **COTER, Florin** [IL/IL]; 9A Baal Shem Tov Street, 33724 Haifa (IL).

(74) Agents: **FENSTER, Paul** et al.; Fenster & Company, Intellectual Property 2002 Ltd., P.O. Box 10256, 49002 Petach Tikva (IL).

(81) Designated States (national): AE, AG, AL, AM, AT, AU, AZ, BA, BB, BG, BR, BY, BZ, CA, CH, CN, CO, CR, CU, CZ, DE, DK, DM, DZ, EC, EE, ES, FI, GB, GD, GE, GH, GM, HR, HU, ID, IL, IN, IS, JP, KE, KG, KP, KR, KZ, LC, LK, LR, LS, LT, LU, LV, MA, MD, MG, MK, MN, MW, MX, MZ, NO, NZ, OM, PH, PL, PT, RO, RU, SD, SE, SG, SI, SK, SL, TJ, TM, TN, TR, TT, TZ, UA, UG, US, UZ, VN, YU, ZA, ZM, ZW.

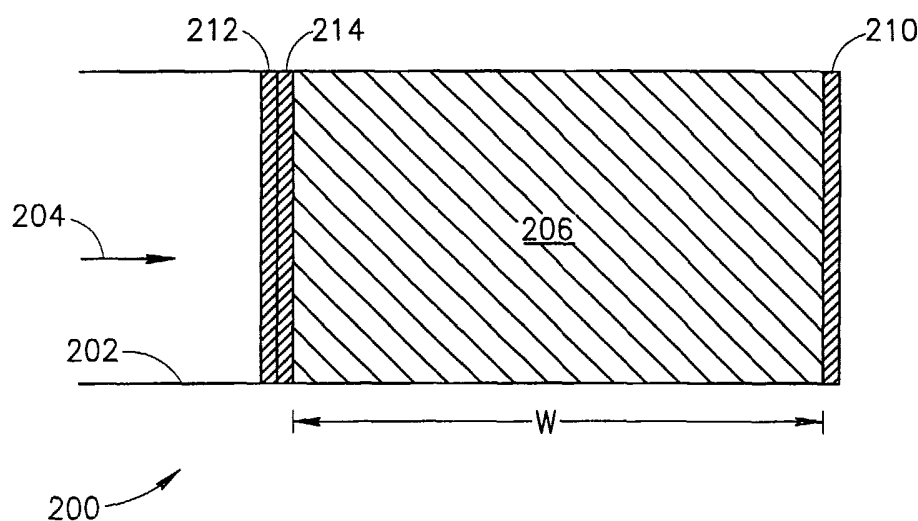
(84) Designated States (regional): ARIPO patent (GH, GM, KE, LS, MW, MZ, SD, SL, SZ, TZ, UG, ZM, ZW), Eurasian patent (AM, AZ, BY, KG, KZ, MD, RU, TJ, TM), European patent (AT, BE, CH, CY, DE, DK, ES, FI, FR, GB, GR, IE, IT, LU, MC, NL, PT, SE, TR), OAPI patent (BF, BJ, CF, CG, CI, CM, GA, GN, GQ, GW, ML, MR, NE, SN, TD, TG).

Published:

— with international search report

For two-letter codes and other abbreviations, refer to the "Guidance Notes on Codes and Abbreviations" appearing at the beginning of each regular issue of the PCT Gazette.

(54) Title: ULTRASONIC TRANSDUCER PROBE



(57) Abstract: An acoustic generator, comprising: a source of electro-magnetic radiation; a waveguide coupled to said source; and at least one absorbing region defined in said waveguide, said region being selectively absorbing for portions of said radiation meeting at least one certain criterion and having significantly different absorbing characteristics for radiation not meeting said criterion, both of said radiation portions being suitable for conveyance through said waveguide, wherein said absorbing region converts said radiation into an ultrasonic acoustic field. Optionally, said region comprises a volumetric absorber. Alternatively or additionally, said region comprises a plurality of regions.



WO 03/057061 A1

ULTRASONIC TRANSDUCER PROBE**FIELD OF THE INVENTION**

The present invention relates to the field of probes including ultrasonic transducers that are powered and/or controlled using non-electrical transmission methods.

5

BACKGROUND

Small cross-section catheters having ultrasound capability at or adjacent to their tips are known in the art. However, transmission of electrical power and/or signals through such thin catheters challenges the design and constrains the ability to reduce the cross-section of the devices. Consequently, several suggestions to transmit power to (and receive signals from) the tip of the catheter using optical waves and convert the optical waves into ultrasonic waves using a suitable transducer, are recorded in the art.

The phenomenon of conversion of electro-magnetic radiation to ultrasound is well established. Of the different conversion modes of electro-magnetic radiation to ultrasound conversion in the thermo-elastic regime is of primary, but not solitary, interest in this description. In the thermo-elastic regime, a portion of the electro-magnetic radiation absorbed in a target material heats up a region within the target material. Provided the rate of heat deposition is larger than the rate of its dissipation away from the radiated region, the region experiences an increase in its temperature. The resulting thermal stress generates an acoustic disturbance propagating away from the heated region. The rate of heat deposition, as determined from the temporal and spatial parameters of the irradiation wavefront, the rate of dissipation of the heat away from the heated region, and the spatial distribution of temperature in the heated region and the physical properties of the target material determine the characteristics of the resulting acoustic signal.

US patent 5,944,687, the disclosure of which is incorporated herein by reference, uses a transducer comprising a fluid reservoir at the tip of the catheter. The fluid is heated by a pulse of laser light transmitted through the catheter. When the heated fluid expands it causes a cap (or bellows) on the fluid reservoir to move. The illumination is transient, and after the light is interrupted, the fluid contracts and the cap retracts.

US patent 6,022,309, the disclosure of which is incorporated herein by reference, describes a different implementation, in which working fluid is conveyed to outside the catheter. Once outside, the fluid is irradiated with pulsed laser light and converts the laser light into ultrasound radiation. Therefore, the ultrasound radiation is generated outside the confines of the catheter.

US patent 5,254,112, the disclosure of which is incorporated herein by reference, describes a catheter in which pulsed laser light hits a target that allegedly generates ultrasound radiation in a direction perpendicular to the target's surface, counter-incident to the light energy. The targets described are metallic. This catheter can allegedly also transmit a high power laser, that is reflected to propagate in the same general direction as the ultrasound radiation, to optically ablate plaque in the vicinity of the catheter. The patent claims that the direction of the acoustic radiation is at a near-right-angle, slightly proximal, to the axis of the catheter. How this happens is not, however, described by the instant applicant. This patent also describes detection of acoustic radiation at the probe by detecting its interaction with an optical signal (e.g., using a laser beam) that is also introduced to the probe tip. A single fiber may run along the catheter and be used, apparently selectively, for conveying ultrasound generating laser light and for detecting acoustic radiation, by using a selectively reflecting surface that passes ultrasound generating radiation and reflects ultrasound detecting radiation. Acoustic interaction between ambient ultrasound waves and sensing light is with a transparent interposing medium between the fiber and the reflector. This patent apparently does not suggest using a same fiber simultaneously for more than one function.

This patent uses a multi-fiber catheter, with each fiber being used to select one angular segment and transmit light and/or ultrasonic energy in a direction generally perpendicular to the catheter axis. Also, a central guidewire is used to guide the catheter. Thus, this design necessarily requires a significantly larger diameter than a catheter utilizing a single fiber.

In addition, the power of the ultrasound generated by this patent is apparently constrained by several fundamental loss processes: (a) most of the powering laser light is apparently lost by reflection from the metallic target, some into surrounding tissue (with an added potential health hazard), and (b) most of the resulting ultrasound is apparently dissipated within the construction of the catheter. The later effect reduces the effectiveness of the system both in the introduction of uncontrolled ultrasonic signals that introduce large background interference that severely compromises the performance of the device as well as in a significant reduction in the available power. In addition, unwanted power is apparently also absorbed by the surrounding tissue.

30

SUMMARY OF THE INVENTION

An aspect of some embodiments of the invention relates to a method of generating ultrasonic radiation from electromagnetic radiation. In an exemplary embodiment of the invention, a waveguide for the electromagnetic radiation includes one or more absorbing

regions that selectively absorb a portion of the radiation, said selection optionally effected by discrimination on the basis of wavelength and/or polarization. A pulse (or train of pulses) of radiation is transmitted towards the absorption region and causes the absorbing regions to expand abruptly, generating ultrasonic radiation. In an exemplary embodiment of the invention, the waveguide is an optical fiber and the absorbing regions are defined in or on the core of the fiber. Alternatively, the absorbing regions are segments that are added to the fiber. Optionally, the waveguide is terminated by an absorbing region. An absorbing area may be thin or a boundary layer, for example, a thin layer of metal or other material, especially a dichroic material or a wavelength selective reflective element such as a grid.

In an exemplary embodiment of the invention, a guidewire for medical applications comprises a single wave-guide, such as an optical fiber, with a wavelength-selective absorbing region at its end. When laser light of that wavelength is pulsed through the fiber, the absorbing region generates acoustic radiation. Optionally generation is by thermo-elastic generation, in which thermal stresses are introduced as a result of the absorbed light. Optionally, light of a second wavelength is transmitted substantially unhampered through the fiber, for example, to exit past the absorbing region. Alternatively or additionally, a reflector is provided at the end of the fiber, to reflect the light of the second wavelength back, with the phase, frequency, polarization and/or amplitude of the light being affected by an optical-acoustic interaction at or near the reflector. Optionally, such interactions are used for detecting an acoustic field. Alternatively or additionally, a reflector is provided at the end of the fiber, to reflect the light of the absorbing wavelength back, so as to even out the temperature distribution due to the absorption in the absorbing region.

In an exemplary embodiment of the invention, the absorbing region is dense enough to absorb all the intensity of the incident radiation, such that no portion of the absorbed wavelength is transmitted past the absorbing region. Alternatively, a portion of the energy at the absorbed wavelength is transmitted through the region, while another portion is absorbed. Alternatively, multiple absorbing regions are provided for a same wavelength, with each region absorbing some light and transmitting some light. The absorbency of the regions may be designed to provide a uniform (or shaped) thermal distribution so as to generate a specific form of ultrasonic field.

In an exemplary embodiment of the invention, different absorbing regions are provided for different wavelengths. Optionally, one terminating region is provided to absorb all relevant wavelengths. Optionally, there is a spatial overlap between absorbing regions for different

frequencies, for example a 0.1 mm region that absorbs a first wavelength includes a 0.05 mm sub-region that absorbs a second wavelength in addition to the first wavelength. Such overlap potentially increases the design flexibility in controlling the acoustic transmission envelope, direction and/or frequency.

5 In an exemplary embodiment of the invention, the selectivity of the absorbing area is relative to the wavelengths that the waveguide can effectively transmit. For example, the total wavelength range of the waveguide may be divided into sub-ranges, each being selectively absorbed by a certain material. For example, two, three, four or more different ranges may be provided. Alternatively or additionally, the selectivity is relative to the separation possible with
10 the laser source used, for example, a tunable laser or a multiple laser source, e.g., with wavelength divisions of 100GHz or less.

In an exemplary embodiment of the invention, the waveguide is used to guide the radiating energy to ensure that most or all of the energy passes through the (one or more) absorbing region. Thus, beam expansion and diffraction problems can be avoided.

15 An aspect of some embodiments of the invention relates to the generation of ultrasound by the absorption of electromagnetic radiation by an absorbing solid volume. Optionally, the absorbing solid is lightly absorbing such that the absorption is gradual along the direction of propagating of the radiation, rather than the energy being absorbed on a surface or boundary layer of the volume. Optionally, the absorbing volume is inserted into the body and used for
20 treatment and/or imaging. Optionally, the volume is selectively absorbing of wavelength, polarization and/or does not block the entire cross-section of a light guide used to provide the light.

In an exemplary embodiment of the invention, a reflector is provided distal of an absorbing region, to reflect radiation that is not absorbed by the region on the forward pass,
25 back into the same region for further absorption. Optionally, the radiation is made to reverberate several times through the absorbing region. This can be accomplished, for example, by two reflectors, positioned on either side of the absorbing region. Alternatively a polarization-based two-pass reflecting system can be implemented by providing a polarization changing element at the distal reflector and/or at the entrance to an absorbing area (or
30 integrated into the absorbing area), so that the radiation inside the absorber has a polarization that is reflected by a polarization dependent reflector provided at the entrance to the absorbing volume. Such a polarization dependent reflector may also be provided at the exit from the absorbing volume. Optionally, the reflector(s) and/or the number, size and/or density of the

absorbing volume(s) are selected to control the uniformity of the waves generated by one or more regions. A particular region may include absorber density variations along its length and/or cross-section, alternatively or additionally to changes in wavelength-dependent behavior.

5 In an exemplary embodiment of the invention, multiple absorption regions are placed along the wave-guide. The type, dimensions and relative positions of these regions may be used to determine the characteristics of the generated ultrasound. Suitable arrangements can optionally determine the directionality, spectral contents, waveform, and the intensity of the ultrasonic radiation. A potential benefit of multiple or extended regions is better heat
10 dissipation, possibly allowing higher ultrasonic peak-power to be effectively used.

In an exemplary embodiment of the invention, a plurality of absorbing regions act in concert to provide a desired energy field distribution and/or wave propagation direction. For example, the distance between two absorbing regions may be related to a desired acoustic wavelength to be generated. The absorbing regions that act in concert may be absorbing a same
15 wavelength of radiation or different wavelengths. Alternatively or additionally, the number, spacing and/or length of the regions may be used to select the wavelength spectrum generated in one or more directions. Alternatively or additionally, the regions in a same or different fiber may be used to steer the ultrasonic waves, for example, using phase differences between the regions.

20 In an exemplary embodiment of the invention, a plurality of absorbing regions are used to generate a strong acoustic wave while maintaining a low average acoustic radiation power, which radiation power is desirably below a break-down point of the absorbing target. The plurality of absorbing regions allows the target to accumulate a larger overall acoustic power while maintaining the peak power level at each region below a specified threshold.

25 In an exemplary embodiment of the invention, the ultrasound is generated without any free-space propagation of light, with light going directly from a wave-guide to an absorbing volume. Alternatively, spaces are defined in the waveguide, for example if the waveguide is hollow or by providing air (or vacuum or other fluids or gasses) spaces, such as expansion spaces, adjacent the target.

30 An aspect of some embodiments of the invention relates to control of ultrasound properties by spatial and density design of absorbing volumes. In an exemplary embodiment of the invention, the control includes one or more of uniformity, frequency, number of cycles, directivity and waveform. In an exemplary embodiment of the invention, the control is

achieved by providing multiple and suitably spaced absorbing volumes, possibly with different volumes being addressable using different wavelengths, polarizations and/or via different fibers. Alternatively or additionally, the volumes have controlled densities, which may be matched, for example, to the expected relative intensity of an electromagnetic wave at the volume. It should be noted that this control contrasts with that suggested in the art for fluid based systems, in which the absorption depth is fixed and a single volume is used. While the use of solids is desirable in many embodiments of the invention, other material phases, such as gas or liquid may be used. In the example of absorption outside of a catheter, the density of absorbing material may be controlled in order to achieve a desired radiation volume.

An aspect of some embodiments of the invention relates to providing multiple absorbing regions in a waveguide, for generation of ultrasound from each of the regions.

An aspect of some embodiments of the invention relates to providing multiple electromagnetic radiation waves in a wave-guide, such that a plurality of functions are provided. The multiple waves may have different polarization and/or wavelengths. In an exemplary embodiment of the invention, one of the waves is used for the generation of ultrasound and another wave is used for detection of ultrasound or treatment based on the radiation. Such treatment may be, for example, treatment using the radiation, treatment using heat or treatment using high powered ultrasound generated from the radiation. In an exemplary embodiment of the invention, ultrasound radiation is generated from the electromagnetic wave during forward traveling of the electro-magnetic wave.

An aspect of some embodiments of the invention relates to an acousto-optical medical probe that provides forward directed ultrasonic radiation and forward directed light radiation. Optionally, forward looking ultrasonic detection is provided as well. Alternatively or additionally, side-looking ultrasound radiation, side-looking light radiation, and/or side-looking ultrasonic detection may be provided. Alternatively, ultrasound detection and/or generation may be by an external probe. In an exemplary embodiment of the invention, the acoustic radiation and light radiation are provided using a same optical fiber.

An aspect of some embodiments of the invention relates to steering an ultrasound beam using a plurality of acousto-optical sources. In an exemplary embodiment of the invention, the sources are provided in different fibers or in different (possibly partially overlapping) parts of a cross-section or a length of a same fiber. In an exemplary embodiment of the invention, the relative phase in the different parts is controlled by providing suitable radiation to the sources. The direction and/or angle of view of the beam is set using phase and/or intensity differences

between the different sources. Optionally, the phase differences are controllable by modifying the timing and/or other properties of the source radiation.

There is thus provided in accordance with an exemplary embodiment of the invention, an acoustic generator, comprising:

5 a source of electro-magnetic radiation;

a waveguide coupled to said source; and

at least one absorbing region defined in said waveguide, said region being selectively absorbing for portions of said radiation meeting at least one certain criterion and having significantly different absorbing characteristics for radiation not meeting said criterion, both of
10 said radiation portions being suitable for conveyance through said waveguide,

wherein said absorbing region converts said radiation into an ultrasonic acoustic field.

Optionally, said criterion comprises wavelength such that said absorbing region is wavelength selective. Alternatively or additionally, said criterion comprises polarization such that said absorbing region is polarization selective. Alternatively or additionally, said generator is
15 adapted to be inserted into a body. Alternatively or additionally, said waveguide comprises an optical fiber. Optionally, said fiber includes a non-acoustic optical fiber sensor. Alternatively, said absorbing region comprises a segment that is added to said fiber. Alternatively, said absorbing region comprises a doping of a core or damage to the core of said fiber.

In an exemplary embodiment of the invention, said absorbing region is optically
20 controllable to change at least one of said criterion and its absorption. Alternatively or additionally, said source comprises a laser source. Alternatively or additionally, said source comprises a coupler for a laser source. Alternatively or additionally, said source comprises a spectral filter.

In an exemplary embodiment of the invention, said at least one absorbing region
25 comprises at least two absorbing regions. Alternatively or additionally, said at least one absorbing region comprises at least three absorbing regions. Alternatively or additionally, said at least one absorbing region comprises at least four absorbing regions.

In an exemplary embodiment of the invention, said at least two regions have same absorbing characteristics. Alternatively or additionally, said at least two regions have different
30 absorbing characteristics. Alternatively or additionally, said at least two regions have at least one different absorption selectivity criterion. Alternatively or additionally, said at least two regions have same selectivity. Alternatively or additionally, the absorption properties of said at least two regions are adjusted so as to achieve a desired effect on said ultrasonic waves.

Alternatively or additionally, said at least two regions are spaced apart to achieve a desired effect on said ultrasonic waves. Optionally, said effect is selection of a wavelength spectrum. Alternatively or additionally, said effect is a selection of a spatial field distribution. Alternatively, said effect is a selection of an acoustic envelope shape.

5 In an exemplary embodiment of the invention, said absorbing region is a volume absorber that absorbs said radiation along its length in a direction of propagation of said radiation. Optionally, said absorbing region has axially uniform absorption characteristics, along the axis of said waveguide. Alternatively, said absorbing region has axially non-uniform absorption characteristics, along the axis of said waveguide. Alternatively, said absorbing
10 region has stepped absorption characteristics, along the axis of said waveguide.

In an exemplary embodiment of the invention, said absorbing region is a solid absorber. Alternatively, said absorbing region is a fluid absorber.

In an exemplary embodiment of the invention, said waveguide comprises an acousto-optical modulator portion that modulates light waves responsive to an acoustic field.
15 Optionally, the generator comprises an optical detector coupled to said waveguide which generates a signal responsive to said acoustic field. Optionally, said optical detector detects radiation that passes through said absorbing region unabsorbed. Alternatively or additionally, the generator comprises a signal processor that reconstructs an image from said signal. Optionally, said image is a one dimensional image. Alternatively, said image is a two
20 dimensional image.

In an exemplary embodiment of the invention, the generator comprises a signal processor operative to reconstruct a tissue characterization from said signal. Alternatively or additionally, the generator comprises a signal processor operative to reconstruct a distance from said signal.

25 In an exemplary embodiment of the invention, said source provides a high power laser beam that passes through said absorbing region substantially unabsorbed.

In an exemplary embodiment of the invention, said selectivity provides selectivity of at least two different criteria of wavelengths that can pass through said waveguide.

In an exemplary embodiment of the invention, said selectivity provides selectivity of at
30 least three different criteria of wavelengths that can pass through said waveguide.

In an exemplary embodiment of the invention, said generator comprises a plurality of waveguides arranged in a phased-array and a controller that controls said source to activate said array as a phased-array.

In an exemplary embodiment of the invention, said ultrasonic wave is operative to be steered in space by said generator without moving the absorbing region.

In an exemplary embodiment of the invention, said generator comprises only a single waveguide.

5 In an exemplary embodiment of the invention, said generator comprises an ultrasonic absorber, which spatially shapes said ultrasonic waves.

In an exemplary embodiment of the invention, said generator comprises a controller operative to control said source. Optionally, said controller synchronizes an operation of said generator with a separate treatment device. Alternatively or additionally, said controller
10 synchronizes an operation of said generator with a separate imaging device. Alternatively or additionally, said controller reads out optical signals received via said waveguide.

There is also provided in accordance with an exemplary embodiment of the invention an acoustic generator, comprising:

a source of electro-magnetic radiation;

15 a waveguide coupled to said source; and

at least one volumetric absorbing region defined in said waveguide, which absorbs radiation along its length in a direction of propagation of said radiation,

wherein said absorbing region converts said radiation into an ultrasonic acoustic field.

Optionally, said absorber is uniformly absorbing along its length. Alternatively, said absorber
20 is non-uniformly absorbing along its length. Optionally, said non-uniformity is designed to achieve a certain absorption profile. Optionally, said absorption profile is designed to achieve a substantially uniform energy deposition along said absorber.

In an exemplary embodiment of the invention, said non-uniformity is stepped, defining a plurality of contiguous uniform sub-regions with different absorbing characteristics.

25 Optionally, said non-uniformity is stepped, defining a plurality of non-contiguous uniform sub-regions with different absorbing characteristics.

In an exemplary embodiment of the invention, said generator comprises a reflector for reflecting at least a portion of the light that passes once through said absorber, to pass at least a second time through said absorber. Optionally, said generator comprises a second reflector for
30 reflecting at least a portion of the light that passes twice through said absorber, to pass at least a third time through said absorber. Alternatively, said second reflector is polarization discriminating and said generator comprises a polarization rotator.

In an exemplary embodiment of the invention, half a thickness of said absorption area absorbs less than 80% of light absorbed by said absorbing area.

In an exemplary embodiment of the invention, said absorbing region has a non-uniform cross-section.

5 In an exemplary embodiment of the invention, said absorbing region does not fill a cross-section of said waveguide.

In an exemplary embodiment of the invention, said waveguide guides substantially all radiation provided in waveguide to said absorbing region. Optionally, said guidance comprises guiding said radiation to have a substantially uniform cross-section along said absorbing
10 region.

In an exemplary embodiment of the invention, said absorbing region selectively absorbs only some of said radiation.

In an exemplary embodiment of the invention, said generator comprises a plurality of absorbing regions. Optionally, said absorbing regions are arranged along an axis of said
15 waveguide. Alternatively, said absorbing regions are arranged in a trans-axial direction of said waveguide.

In an exemplary embodiment of the invention, said multiple absorbing regions have same absorption characteristics. Alternatively or additionally, at least one of said multiple absorbing regions has a different absorption characteristics from another one of said regions.
20 Alternatively or additionally, at least two of said multiple regions at least partially overlap. Alternatively or additionally, at least one of said multiple regions is selectively addressable to control a direction of said ultrasonic waves. Alternatively, at least one of said multiple regions is selectively addressable to control a frequency of said ultrasonic waves.

In an exemplary embodiment of the invention, said waveguide is an optical fiber.

25 In an exemplary embodiment of the invention, said absorbing region has sharp boundaries. Alternatively, said absorbing region has at least one blurred boundary.

There is also provided in accordance with an exemplary embodiment of the invention, a method of designing an ultrasonic generator powered by electromagnetic radiation, comprising:

30 determining a desired property of a generated ultrasonic wave; and
calculating a spatial absorbing profile of at least one transduction region of said generator to achieve said desired property.

There is also provided in accordance with an exemplary embodiment of the invention, a method of designing an ultrasonic generator powered by electromagnetic radiation, comprising:

determining a desired property of a generated ultrasonic wave; and

5 calculating at least one of a geometric characteristic and a physical characteristic of at least two transduction regions of said generator to achieve said desired property. Optionally, said geometric characteristic comprises a length of at least one of said regions. Alternatively or additionally, said geometric characteristic comprises a spacing between said regions. Alternatively or additionally, said geometric characteristic comprises a number of said regions.

10 Alternatively or additionally, said physical characteristic comprises an optical density of at least one of regions. Alternatively or additionally, said physical characteristic comprises a uniformity of density of at least one of regions. Alternatively or additionally, said property comprises a characteristic wavelength, for a given driving scheme. Alternatively or additionally, said property comprises a characteristic wavelength power spectra, for a given

15 driving scheme. Alternatively or additionally, said property comprises a spatial propagation profile, for a given driving scheme. Alternatively or additionally, said property comprises a characteristic acoustic envelope for a given driving scheme. Alternatively or additionally, said calculating is performed prior to manufacture of said generator. Alternatively or additionally, said calculating is performed after manufacture and prior to use of said generator. Alternatively

20 or additionally, said method comprises effecting at least one of said characteristics by selecting an irradiation wavelength of said absorbing areas. Alternatively, said method comprises effecting at least one of said characteristics by optically activating at least one of said absorbing areas.

There is also provided in accordance with an exemplary embodiment of the invention, an acoustic generator, comprising:

a source of electro-magnetic radiation; and

a plurality of waveguides coupled to said source, each waveguide defining an absorbing region that converts said radiation into an ultrasonic acoustic field,

wherein said source irradiates at least two of said plurality of waveguide at a same time such that fields of said two waveguides interact. Optionally, said generator comprises a controller, coupled to said source and operative to selectively control each of said acoustic fields. Optionally, said controller sets a relative phase between said two fields.

30

In an exemplary embodiment of the invention, said controller sets a relative pulse rate between pulsed light provided in said two waveguides. Alternatively or additionally, said controller sets a relative pulse phase between pulsed light provided in said two waveguides. Alternatively or additionally, said controller sets a relative amplitude between said two waveguides.

In an exemplary embodiment of the invention, said fields interact to obtain a desired propagation direction. Alternatively or additionally, said fields interact to enhance power in a certain wavelength.

There is also provided in accordance with an exemplary embodiment of the invention, an ultrasonic generator, comprising:

a source of electro-magnetic radiation that generates radiation having a plurality of propagating components;

an electromagnetic waveguide; and

an absorbing region in said waveguide that converts incident electromagnetic radiation into ultrasonic waves, wherein only one of said components interacts with said absorbing region to create ultrasound. Optionally, a second one of said components interacts with said waveguide other than at said absorber to generate ultrasound. Alternatively or additionally, said second generated ultrasound has an intensity high enough to attack adjacent plaque in a blood vessel.

In an exemplary embodiment of the invention, said generator comprises an optical acoustic detector in said waveguide and wherein an additional one of said components interacts with said waveguide to detect an ambient ultrasonic field.

In an exemplary embodiment of the invention, a second one of said components exits said waveguide at a high enough power to interact with in-vivo biological tissue.

In an exemplary embodiment of the invention, said different components have different polarizations. Alternatively or additionally, said different components have different wavelengths.

There is also provided in accordance with an exemplary embodiment of the invention, an ultrasonic probe, comprising:

a waveguide having an axis along which electromagnetic radiation propagates and defining an absorber that converts said radiation into forward propagating ultrasound that further propagates in a general direction of said axis; and

an output port that outputs light carries in a same direction as said ultrasound. Optionally, said output port is formed in said waveguide. Alternatively or additionally, said probe comprises a forward looking ultrasonic detector defined in said waveguide.

There is also provided in accordance with an exemplary embodiment of the invention,
5 an acoustic generator, comprising:
a source of electro-magnetic radiation;
a waveguide coupled to said source; and
a plurality of spaced apart absorbing regions defined in said waveguide,
wherein each of said absorbing region converts said radiation into an ultrasonic
10 acoustic field.

In an exemplary embodiment of the invention, said waveguide is flexible. Alternatively or additionally, said waveguide is rigid. Alternatively or additionally, said waveguide is formed into a guidewire. Alternatively or additionally, said waveguide is formed into a catheter. Optionally, said catheter is a balloon catheter.

15 BRIEF DESCRIPTION OF THE FIGURES

Particular embodiments of the invention will be described with reference to the following description of exemplary embodiments in conjunction with the figures, wherein identical structures, elements or parts which appear in more than one figure are preferably labeled with a same or similar number in all the figures in which they appear, in which:

20 Fig. 1 is a schematic illustration of an ultrasound generating optical fiber, in accordance with an exemplary embodiment of the invention;

Fig. 2A is a schematic illustration of an ultrasound generating optical fiber in accordance with an alternative embodiment of the invention;

25 Fig. 2B illustrates the absorption of energy in the embodiment of Fig. 2A as modified by reflection, in accordance with an exemplary embodiment of the invention;

Fig. 2C illustrates the absorption of energy in an exponential absorber, in accordance with an alternative exemplary embodiment of the invention;

Fig. 2D illustrates the absorption of energy in a discrete-step absorber, in accordance with an alternative exemplary embodiment of the invention;

30 Figs. 3A and 3B illustrate the effect of using two side-by-side optical fibers on the resulting acoustic field pattern, in accordance with an exemplary embodiment of the invention;

Fig. 4 illustrates a single optical fiber with multiple light absorbing areas, in accordance with an exemplary embodiment of the invention;

Fig. 5 illustrates an optical ultrasonic system, in accordance with an exemplary embodiment of the invention;

Fig. 6 illustrates the use of a fiber-optic ultrasound source as a guidewire, in accordance with an exemplary embodiment of the invention;

5 Fig. 7 illustrates the use of a fiber-optic ultrasound source for ultrasonically marking an invasive tool, in accordance with an exemplary embodiment of the invention;

Fig. 8 illustrates a multi-element probe, in accordance with an exemplary embodiment of the invention; and

10 Fig. 9 is a graph illustrating experimental results of a device constructed in accordance with an exemplary embodiment of the invention.

DETAILED DESCRIPTION OF EXEMPLARY EMBODIMENTS

Fig. 1 is a schematic illustration of an ultrasound generating optical fiber 100, in accordance with an exemplary embodiment of the invention. Fiber 100 includes a body 102 through which a pulse (or train of pulses, or another waveform such as a saw-tooth or
15 Gaussian form) of electro-magnetic radiation 104 (indicated by an arrow), for example infra-red, ultraviolet or visible light, propagates. At least some of the illumination is absorbed by an absorber 106, thereby heating it and causing it to expand abruptly and emit an ultrasonic wave. This wave is typically a multi-spectral wave. As explained in the following, however, the spectrum and/or direction of the wave may be manipulated.

20 Potential advantages of using guided-volumetric absorption are:

(a) The generating radiation can be guided through the absorption process and is thereby confined laterally. Lateral spreading of the generating wave through the absorption process as would occur in unguided situations where the beam diffracts and expands, can generally be prevented. The radiation power density is therefore diminished only due to the
25 absorption process and not as a result of beam-spreading;

(b) The absorption can be spread over a greater depth of the target and can therefore generate a more controlled ultrasonic wave; and/or

(c) The use of volume absorption allows for potentially better control of the resulting acoustic waveform, for example by variation in the degree of absorption within the absorbing
30 region.

The ultrasonic wave generated in the absorbing region is essentially the shock wave generated by thermal shock due to the abrupt heating of the absorbing medium. The characteristics of the acoustic signals generated using this thermo-elastic regime possibly

derive primarily from the temporal characteristics of the deposited electro-magnetic energy and/or from the geometrical form of the heat deposition the heat-dissipation properties of the surrounding medium. For simplicity, various effects, such as the convection and radiation of heat away from the heated region and the direct coupling of the acoustic and electro-magnetic phenomenon, are neglected. Also for simplicity, only the initial acoustic signal, before it is distorted by traveling through the surrounding medium, is considered, and only the contribution due to the linear response of the material is included. It should be clear that none of these assumptions and/or limitations are critical for actual operation of the invention and they are provided only for simplifying the presentation and for simplified initial calculation.

Under these assumptions the displacement of the generated ultrasound can be represented as:

$$u_k(\mathbf{X}, t) = \alpha_T (3\lambda + 2\mu) \int_V \Theta(\xi, t) \delta_{ij} * G_{kij}(\xi, t; \mathbf{X}, 0) dV \quad (1)$$

Where

$u_k(\mathbf{X}, t)$ is the ultrasonic displacement in the three orientations, k.

α_T is the linear thermal expansion coefficient of the material

$(3\lambda + 2\mu)$ are the Lamé constants of the material

$\Theta(\xi, t)$ is the instantaneous heat distribution across the heated region

δ_{ij} is the Kroneker delta function

*

denotes convolution in time

$G_{kij}(\xi, t; \mathbf{X}, 0)$ is the derivative of the Green's function in the j direction

and the integration is performed over the entire heated region. As will be described below, the heated region may be non-uniform or discrete. Alternatively or additionally, for example as described below, even a uniform region can be heated in a non-uniform manner, for example by using wavelength addressing to selectively address different parts of an absorbing region with different energy levels.

The frequency response of the absorber includes various spectral components, as described below, for simplified cases. In a practical implementation, the spectral components may be somewhat different, however, the following discussion may be used as an aid in defining the number and other properties of absorbing areas, in accordance with exemplary embodiments of the invention.

The leading-edge of the Green's functions for displacements is characterized by an abrupt step singularity (Pekeris in Proc. Acad. Sci., 41, pp. 469-480 and pp. 629-639, 1955), causing the leading edge of ultrasonic signal reflect the temporal distribution of the deposited electro-magnetic pulse.

5 Taking a typical laser pulse with a rise-time on the order of 10 nanoseconds, and, for example, a glass material (for body 102) with a relatively poor heat conduction, the thermal shock, and the resulting acoustic disturbance corresponds almost entirely to the laser-pulse transients, and the initial acoustic wave comprises of the frequency spectrum resulting from a transient excitation of 10 ns. This is a broad-band excitation with a center-frequency on the
10 order of 30 MHz.

The temporal width of the longitudinal component of the ultrasound, as observed in the Green's functions, is on the order of less than $0.01 r/c$, where c is the ultrasonic velocity and r the distance of the source from the observation point. For example, if a Gaussian laser pulse of 10 ns width is used for the generation in glass at a distance of 1 mm, the leading edge of the
15 ultrasonic pulse would be on the order of 5 ns. Similarly, for this distance, the contribution of the width of Greens's function is approximately $0.01 \times 1 \text{ mm} / 6,000 \text{ m/s} = 1.7 \text{ ns}$, so the pulse width for a point-source generator is on the order of the electro-magnetic pulse width. It is expected that a bi-polar pulse be generated, the contribution is in the form of the derivative of Green's function.

20 Taking into account the volume of the generator, the temporal shape of the initial ultrasonic pulse may be characterized by the convolution of the electro-magnetic pulse shape and the geometry of the heat source, either one of which may be controlled and/or designed, in accordance with exemplary embodiments of the invention. Considering a square source cross-section of width of 1 mm, one obtains an ultrasonic wave with two main features – the bipolar
25 pulse ensuing from the edges of the illuminated region, with a width commensurate with that of the electro-magnetic pulse, and a residual ultrasound pulse corresponding to the width of illuminated region (this is due to any asymmetry in the bi-polar Green's function derivative). Consequently two major frequency components are observed – a pulse with a time width comparable to the width of the electro-magnetic pulse, and a central component with a
30 wavelength comparable to the width of the heated volume.

For example, a single region of width w is expected to generate ultrasound with a central frequency for which w corresponds to half an acoustic wavelength. For example, in glass, with acoustic velocity of nearly 6,000m/s, a uniformly illuminated absorbing region of

breadth $w = \frac{1}{2} \times 6,000/30 \text{ MHz} = 0.1 \text{ mm}$ (and odd multiples thereof) reinforces the first wavefront ensuing from the first thermal shock front with the wavefront, of opposite sign, ensuing from the opposite edge of the thermal shock front. In another example, for a glass target and 1 mm illumination, this corresponds to a central frequency of $f = 2c/w = 2 \times 6,000 \text{ m/s}/1 \text{ mm} = 12 \text{ MHz}$. The relative strength of this component as compared to that ensuing from the edges depends, *inter alia*, on the thermal gradient at the boundary of the thermal source: the sharper this gradient the stronger the contribution of the edge component in the signal; conversely as the thermal boundary becomes more gradual or blurred, the lower frequency contribution of the width of the source increases in importance. As discussed below, the attenuation of the generating electromagnetic radiation as it travels along the absorbing region, introduces a gradual boundary to the region and effectively strengthens the relative low-frequency component generated. Maintaining the absorbers short (small values of w), as drawn in Fig. 1, enhances the relative strength of the higher frequency components in the generated ultrasound.

In an exemplary embodiment of the invention, at least one additional absorbing region 108 is provided distal of absorber 106 to absorb at least some of the light (if any) that is not absorbed by absorber 106. In an exemplary embodiment of the invention, the distance between the absorbers, a , and their extent in the axial direction, w , serve to design the desired ultrasonic characteristics of the resulting waves as discussed below.

In an exemplary embodiment of the invention, a low frequency component is generated by increasing the length of the absorbing region in the fiber and/or using a series of suitably spaced heating regions. For example, to generate a 600KHz acoustic signal, a series of regions of length $w = \lambda/2$ and a similar spacing can be used. In a glass waveguide, $\lambda/2 = \frac{1}{2}c/f = \frac{1}{2} \times 6,000 \text{ m/s}/600 \text{ KHz} \rightarrow$ regions 5 mm in length may be used. In general, the spatial distribution of heated volume is related to a Fourier Transform of the resulting spectrum, depending on the envelope of the illumination. Increasing the number of absorbers narrows the width in the Fourier plane and the resulting spectrum of the signal. As the boundaries of the absorbing regions are made more gradual the high-frequency components are reduced. Similarly, introducing a monotonically changing region spacing and length results in a time-variable spectrum or chirp signal. Consequently, to reinforce a particular frequency component in the generated acoustic wave, the *spacing*, a , between the absorbers has to correspond to the

acoustic wavelength of that component. This is shown schematically in Fig. 1 where absorbers 106 and 108 are spaced by λ – the acoustic wavelength.

If thin absorbing volumes are used, they may each generate a very high intrinsic acoustic frequency, as determined by their geometrical width and the rise-time of the generating electromagnetic pulse. For example, for a 10 ns rise-time pulse, and an absorber that is narrower than say 0.01 mm, can give rise to ultrasonic components at 300MHz or more. The distance between the absorbing regions determines a lower frequency, with a generally lower power. If, as in Fig. 2A the absorbing region is wide, the lower frequency component is stronger. Optionally, the lower frequency component is made to dominate the waveform by providing a gradual change of absorption in at least part of the absorbing region boundary. In this manner the edge effects are subdued and the volumetric effects over the extent of the absorbing region, dominate. In an exemplary embodiment of the invention, the boundary area may comprises a linear increase in optical density over a length that is, for example, 1%, 5%, 10%, 20% or any smaller, intermediate or greater percentage of the length of the absorbing region.

Optionally, a reflector 110 is provided distal of absorber 108, for example, at a tip of fiber 100. This reflector returns light that passed absorbers 106 and 108, to be absorbed by the absorbers. Alternatively, absorber 108 is a total absorber of all the light and reflector 110 can be omitted. In an exemplary embodiment of the invention, to reinforce a particular frequency component in the generated acoustic wave, the *distance* between the last absorber 108 and the reflector 110 should correspond to *half* the acoustic wavelength of that component. This is shown schematically in Fig. 1 where absorber 106 and 108 are spaced by and acoustic wavelength, $a=\lambda$, while the distance between absorber 108 and the reflector 110 is half that value, $a/2=\lambda/2$.

In the reflector embodiment, the acoustic signal will have two sets of super-imposed components, two due to the absorption of electro-magnetic wave on the forward travel, and two due to the backward travel of the electro-magnetic after reflection from the tip of the waveguide which is fully reflective; as the speed of electro-magnetic radiation is very much larger than that of the ultrasound, the two sets of acoustic waveforms super-impose, optionally compensating for the decay of the incident electro-magnetic power with distance. The second absorption region receives reduced incident power due to the absorption in the first region, but on the return pass the situation is reversed. As the absorbing regions are suitably spaced, and

their degree of absorption can be controlled, the relative intensities of the four components in this case can be designed to suit the application. One potential advantage of this approach is the ability to generate a unique acoustic waveform that can be readily identified by its specific characteristics in the system. Another potential advantage of this approach is the ability to
5 generate a more uniform acoustic waveform as compared to other arrangements where the acousto-optic interaction is confined to a small region or a boundary layer.

In an exemplary embodiment of the invention, the absorbing regions are dichroic, permitting the transfer of a second electro-magnetic wavelength. As noted below for various embodiments, this allows the size, number, location and/or intensity of the absorbing regions
10 to be controlled in real-time or prior to use of the system, by having participating absorbing volumes being selected by wavelength. The combination of source parameters including the dimensions of the absorbing regions, the degree of absorption and the distribution of the absorption profile within the absorbing region, the separation of the regions and the intensity and rise-time of the generating radiation pulse or pulses, controls the characteristics of the
15 ensuing ultrasonic waveforms. It is thereby possible, by judicious choice of the above parameters to control the directionality and direction, the frequency content, the overall envelope and the intensity of the generated signal, by design and/or by selective manipulation of various illumination parameters.

As noted above, the relative absorption properties of absorbers 106 and 108 and/or the
20 reflective properties of the mirror may be used to achieve a desired spatial absorption profile in the fiber. Optionally, for the same or a different purpose, at least one of the absorbers does not cover the entire cross-section of the fiber, to allow a predetermined portion of the light to pass and possibly be absorbed and/or reflected at a later time. Alternatively, the absorbing area is polarization dependent, for example itself acting as an absorption polarizer, so that it only
25 absorbs one component of light polarization. An absorber may be one or more of dichroic, polarization dependent and spatially varying in the cross-sectional direction.

In an exemplary embodiment of the invention, the absorbing regions are defined inside the fiber, for example, by doping a material (e.g., glass) of which the fiber is made or by introducing deliberate damage, applying stress or otherwise modifying the material continuum
30 or uniformity. Alternatively or additionally, the fiber is cut and spliced with an absorbing fiber section (e.g., a colored or polarizing fiber) and/or an absorbing material section, for example a plate colored material or a linear polarizer, which are optionally coated with a cladding. For example, for near-IR radiation doping with and absorber such as CuSO₄ produces the desired

absorption region. This may be introduced into the fiber by splicing an undoped fiber with section of a similar fiber with such doping.

For clarity, cladding of fiber 100 is not shown in Fig. 1. In some embodiments of the invention, absorption is provided in the cladding, for example, by replacing a section of the cladding with an absorbing material. Alternatively or additionally, the refractive index of the cladding is modified to allow some light to leak out and be absorbed by an absorber outside of the fiber. A potential advantage of this type of mechanism is that some patterns of absorbing regions may be easier to manufacture outside of a fiber. Such a change in the cladding may, however, cause dispersion problems in the fiber, which are expected to be insignificant in many cases.

Fig. 2A is a schematic illustration of an ultrasound generating optical fiber 200 having a body 202, in accordance with an alternative embodiment of the invention. Unlike fiber 100 (Fig. 1), fiber 200 utilizes an extended absorber 206 that has a length close to $\lambda/2$ (half the desired central acoustic wavelength) to maximize the generation of the desired acoustic frequency component. Other lengths may be used as well and depend, inter alia, on the existence of a nearby fiber end and/or a reflector. In an exemplary embodiment of the invention, a light pulse indicated by an arrow 204 is absorbed along absorber 206. Optionally, a mirror 210 is provided to reflect unabsorbed light back along absorber 206. The length of the absorber here can approach $\lambda/2$. Using the same parameters as before, the length of the absorber would now be some $w = \frac{1}{2} \times 6,000/600\text{KHz} = 5 \text{ mm}$ for generating a strong 600KHz component. Note that, although Figure 2A shows region 206 at the tip of the fiber, it can equally well be located at a distance from the fiber tip.

In an exemplary embodiment of the invention, for example, in fiber 200 or in fiber 100, multiple reflections through the absorbing regions are provided to make the generating region more uniformly excited. In one example, the arriving wave 204 is passed through a polarized beam splitter 212 and then through a quarter wavelength plate 214. In operation, incident light in one polarization, is transmitted through beam splitter 212, rotated 45° by wave plate 214 to form circularly polarized light and on reflection from the mirror at the end of the waveguide, rotated again to become incident on splitter 212 in an orthogonal polarization state. Therefore the incident beam traverses the absorbing region twice before it is rotated to the original polarization and leaves the volume. In some embodiments of the invention, the fiber itself is made with special polarization properties, for example, being polarization preserving.

This reflection method reduces somewhat the non-uniformity found in relatively large absorbing regions due to the decay of the illumination as it propagated. When the illumination is reflected to travel again through the absorbing region the absorbed intensity on the forward pass decays in the forward direction while the absorption on the reverse pass decays in the opposite attitude thereby forming a more uniform overall acoustic energy source. This is useful, for example, for lower-frequency generation where the length of the absorbing region corresponds to the dominant acoustic wavelength generated. Lower frequency US may be used for ablation of plaque and unwanted tissue where the incident energy has to be designed to generate sufficient cavitations or mechanical resonance of the target; typically lower frequencies are used for this purpose.

Fig. 2B shows the effect of reflection on the uniformity of energy absorption. Reference 220 shows forward and backward propagating light 222 and 224 (in a two pass example). Reference 230 is a graph showing, super imposed, relative forward radiation absorption 232, relative backwards radiation absorption 234 and total radiation absorption 236. The total absorption corresponds to the actual intensity of emitted ultrasonic radiation.

Optionally, the density of absorber 206 varies in a manner that takes into account the reduction wave amplitude and/or reflection, so that thermal heating is uniform or has a different desirable form. For example, to generate a side-looking component at an off-perpendicular direction, a decaying distribution can be used. Another example is a sinusoidal absorption characteristic (whether strictly or piece-wise sinusoidal) for reinforcing the generation of a certain acoustic frequency.

Fig. 2C illustrates the absorption of energy in an absorber having an exponential absorption coefficient, in accordance with an alternative exemplary embodiment of the invention. Reference 240 shows absorber 206 within a waveguide with an exponentially graded absorption 244, for absorbing forward traveling light 242. A graph 250, shows an absorption density 252 increasing exponentially, so that when interacts with the actual beam, the result is uniform absorption of energy 256 along absorbing region 206 and therefore a relatively uniform energy distribution.

The uniformly varying absorption profile of Fig. 2C may be relatively difficult to manufacture. In an exemplary embodiment of the invention, the exponential profile is approximated by a discrete series of individual absorbers, each with a possibly uniform absorption profile and adjacent or spaced apart. Fig. 2D illustrates the absorption of energy in a discrete-step absorber, in accordance with an alternative exemplary embodiment of the

invention. Absorber 206 comprises a plurality of absorbers 264, each with a different absorption coefficient, for example, with an exponential increasing coefficient between the absorbers. Although the absorbers are shown in contact with each other, they may be spaced, for example by an absorption-free waveguide portion. A graph 270 shows a piece-wise
5 approximation to the exponential absorption profile 272, with a resultant energy deposition 276 that is substantially spatially uniform, e.g., with small variations.

In an exemplary embodiment of the invention, only a small number, such as 2, 3 or 4 absorbers are provided, for example. Reflectors may be provided, of course in the embodiments of Figs. 2C and 2D. Alternatively, a larger number of absorbers, such as 10, 20
10 or any intermediate smaller or larger number, may be provided.

The apparatus described above can be used to generate ultrasound for many different applications, of which several examples are: ultrasonic treatment; ultrasonic ablation; indirect heating using ultrasound; sonophoresis; ultrasonic monitoring of various parameters, such as thickness or depth; ultrasonic characterization of a target material and/or for imaging; and
15 photo-acoustic imaging or characterization of a target material. Optionally, as described below, a plurality of different ultrasound sources are provided.

In an exemplary embodiment of the invention, the light source is laser light, optionally, from a wavelength tunable laser. We note that the choice of laser light is a matter of convenience only and since, in some embodiments, there is no requirement of the coherence of
20 the source, a flash lamp or other optically gated light sources are viable alternative sources.

In an exemplary embodiment of the invention, the absorbers are wavelength selective. For example, laser treatment light passes through substantially unaffected while laser for ultrasound generation is absorbed. Alternatively to treatment, the transparency to some wavelengths may be used for optical operations, such as providing light illumination and/or
25 detecting light.

In an exemplary embodiment of the invention, ultrasound detection uses acousto-electric or piezoelectric transducers (not shown) mounted near the tip of fiber 100. Alternatively, optical means are used to detect acoustic waves. In an exemplary embodiment of the invention, acoustic signals are detected using an opto-acoustic interaction with an
30 acoustically sensitive optical material provided in the fiber. In an exemplary embodiment of the invention, a detection beam travels through the fiber and passes through an acoustic sensitive material incorporated in or adjacent to a reflector at the tip of the fiber. The acoustically sensitive material may be the same material used for ultrasound generation or it

may be separate. In an exemplary embodiment of the invention, a birefringent material (not shown) is provided near reflector 110 as a detector so that a reference beam of light having a wavelength not absorbed by the absorbers, is affected by changes in the birefringence that are dependent on stress in the fiber (e.g., stress from externally impinging acoustic waves).

5 Alternatively, the fiber as a whole may be birefringent whether by design or inadvertently by the production processes. Alternatively or additionally, other optical detection methods may be used, to demodulate the effect on the sensing wavelength or wavelengths, for example, such as Fabry Perot resonator, Polarimetric measurements, Interferometry of various types (e.g., homodyne, heterodyne, speckle, Fucou, Sagnac, holographic), Bragg-grating spectral analysis
10 and/or other optical demodulating methods known to the art. The demodulation can be implemented entirely within the fiber, or optionally, some or all of the demodulation means can be situated external to the fiber, for example, in a controller external to the fiber (e.g., controller 506 described below).

Alternatively or additionally, the boundaries of the absorbing regions act as partial
15 reflectors that are displaced by the impinging acoustic waves. This displacement generates an inference pattern in the detection light, which may be read out, for example, by the controller using optical demodulation techniques and/or signal processing methods known in the art. Alternatively or additionally, reflector 110 may be moved by the acoustic waves, to modulate the sensing wavelength, for example by generation of an interference pattern. In an exemplary
20 embodiment of the invention, the displacement and/or compression of the tip of the fiber which is immersed in an acoustic field is detected by its effect on a detection wave that is reflected from the fiber tip. The reference wave used for detection may pass through the absorbers (completely or partially) or it may be reflected before the absorbers, for example, by beam splitter 212 (e.g., having a different polarization), thus allowing a same wavelength to be
25 used for generation and detection. Detection may be provided at one or more other points along the fiber in addition to or instead of the fiber tip. An alternative to a reflecting surface is a reflecting grating or phase array or scattering array that may be impressed into the fiber material by a variety of methods, including, for example, laser etching.

The shape, location and/or activation of the absorbing regions in one or more nearby
30 fibers can be used to achieve various effects, especially, beam aiming, enhancement of a particular spectral component within the generated ultrasound and/or otherwise selecting a frequency spectrum.

Figs. 3A and 3B illustrate the effect of using two side-by-side optical fibers on the resulting acoustic field pattern, in accordance with an exemplary embodiment of the invention. Such multiple fibers are driven as a phased array, in some embodiments of the invention. In other embodiments of the invention, the fibers are driven as a mono-pulse system as explained below. Fig. 3A (reference 300) shows a side-view of two fibers 302 and 304, for example of the type shown in Fig. 1 or in Fig. 2. The two fibers are separated by a distance L , which may be constant or vary along the ultrasound emitting areas. Fig. 3B (reference 306) is a front view of the two fibers. In the example shown, the two fibers are driven in phase, so that the main lobes of the generated acoustic waves are directed along the normal to the centerline of the fiber array at 0° and 180° . Only the 0° lobe is shown, for clarity. Other relative phases effect other beam directions. In an exemplary embodiment of the invention, one of the lobes is blocked, for example, by an absorbing material 310 (depicted in the figure as a block of the lobe at 0°), so that essentially one, directional beam ensues from such a two-fiber probe assembly. Alternatively or additionally, part of a lobe may be blocked. Alternatively or additionally, a plurality of fibers are arranged in an array, for example, a two dimensional array, such as a hexagon or a linear array, allowing a finer control over the beam direction. Optionally, the different fibers of the array are driven with controlled light intensities to effect simultaneous phase and/or amplitude control.

In an exemplary embodiment of the invention, the multiple fibers are used for phased-array type or mono-pulse type detection of acoustic fields. In mono-pulse detection, the field at each fiber is detected separately and/or each source is activated separately and then the results are processed together. In the two-sensor example of Fig. 3, this amounts to three measurements – one with the first fiber only, one with the second fiber only, and one with both fibers activated simultaneously. As the ultrasonic beam patterns differ for each of these measurements (e.g., due to their covering different areas/angles), a target reflects at different intensities in each measurement. The differences in the measured intensities be can related back to obtain information on the spatial location of the target, for example using methods well known in the art of radar.

In another example, ultrasonic beam directivity is obtained by introducing fibers with preferred ultrasound emission directions, for example using absorbing cladding covering most of the angular range of each fiber except for a specific designated emitting angular window. Active sweeping may also be obtained, for example, by changing the phase difference between

fibers in a fiber pair. Various directionality properties may also be achieved by varying the relative intensity of the irradiation of the two fibers.

Fig. 4 illustrates a single optical fiber 400 having a body 402 with multiple light absorbing areas 404 (e.g., 2, 3, 4, 5, 6 or more regions) and an optional tip region and/or reflector 406, in accordance with an exemplary embodiment of the invention. In an exemplary embodiment of the invention, the absorbing areas are selective to different wavelengths. Thus, the location of ultrasound emission is dependent on the wavelength used. Alternatively or additionally, multiple absorbing areas are excited, to provide relatively long ultrasonic sources (e.g., for heat treatment or for generating low frequencies). Alternatively or additionally, multiple wavelengths are used simultaneously, possibly at different pulse rates and/or relative phases. Thus, a plurality of ultrasound sources can be created at desired relative phases and pulse rates, allowing various interactions between the sources to be provided. Alternatively or additionally, the signals from these sources can be distinguished during detection, possibly using a single detector, for example, based on different pulse repetition rates, pulse envelopes and/or frequencies of the different sources.

In an exemplary embodiment of the invention, by selecting the location of excitation, the direction of a beam, relative to the axis of the fibers, in a multiple-fiber arrangement can be controlled. Alternatively or additionally, each location 404 is a polarization dependent absorber (e.g., a polarizer) and the ultrasonic source location is selected by changing the polarization alternatively or additionally to changing the wavelength. For example, if two absorbers with perpendicular polarization axes are provided, sending light with the polarization of the first absorber, will allow the light to pass the first absorber and be absorbed by the second. The absorbers may also be wavelength dependent and/or have non-perpendicular polarization axes.

In some embodiments of the invention, various "addressing" schemes may be used, in which certain pulses are directed to certain absorbing regions, based on previous pulses. For example, if photo-activated absorbers are provided, one wavelength (e.g., ultraviolet) can be used to "activate" an absorber by changing its absorption characteristics, and a second (e.g., high-energy pulse) will then be absorbed and used to generate the ultrasound. For example the material sold as "Photogray", used in sunlight accommodating eye-glasses, can be used.

In another example, the absorber is wavelength-dependent along its cross-section, exhibiting a different behavior on different parts of the cross-section; again, this may be used for beam forming. Alternatively or additionally, some of the cross-section is transparent to

allow light to pass on along the fiber. Alternatively or additionally, for example in larger, multimode fibers some of the cross-section absorbs one wavelength of light and some a different wavelength of light. The regions may have different lengths and/or they may overlap in cross-section. It should be noted that providing absorption of different wavelengths at
5 different sectors of a cross-section is functionally equivalent, in some applications, to providing multiple fibers.

In a more generalized manner, the interaction between multiple sources can be analyzed with respect to two major axes, the radial and the axial.

In the radial direction the presence of a second ultrasonic source and the resulting
10 acoustic field corresponds to that of a dipole axial source. A separation, a , between the sources (as shown in Fig. 1) determines the directionality of the different frequency components of the combined generator. It should be appreciated that a is related to a phase difference between the two sources, which may also depend on frequency and on an imposed phase difference in driving the sources. As noted above, phasing the source activation in real-time allows for a
15 real-time variation in the parameters of the acoustic beam, including for example an angular sweeping of the beam. The directionality of the combined elements is often strongly frequency dependent and therefore, since the sources are typically broad-band, a spectral analysis of the detected components relates to different radial directions of the system. In one embodiment of the invention, this information can be used to generate an image with its circumferential pixel
20 elements being detected at different frequencies. Alternatively, frequency division of functions can be effected. For example, for a simple source, low frequencies (e.g., for treatment) propagate perpendicular to the axis of the sensor array, while high frequencies (e.g., for imaging and/or treatment) propagate at an angle to this direction. For example, as the frequencies increase such that the separation a approaches half an acoustic wavelength, the
25 main ultrasound beam will be directed further and further off this direction approaching, at the limit, the direction along the axis of the array.

Along the axial direction the separation of the individual absorbing regions carries a different significance – source separations in multiples of an acoustic wavelength will reinforce, while others will destruct; consequently, depending on the number of sources, a
30 frequency and/or spatially narrower band signal is generated at certain pre-determined frequencies. As should be appreciated, such a signal can also be steered in the azimuth direction, in accordance with exemplary embodiments of the invention.

In an exemplary embodiment of the invention, the physical and/or geometrical characteristics of the absorbing regions are designed mathematically, e.g., based on wave generation and propagation equations. Alternatively or additionally they are designed iteratively, using real and/or a simulated model.

5 Fig. 5 illustrates an optical ultrasonic system 500, in accordance with an exemplary embodiment of the invention. In an exemplary embodiment of the invention, a probe 514 comprises at least one optical fiber 516, such as those described above, that includes an ultrasound generating and/or detecting tip 518. Light for generation of ultrasound and/or outputting a beam of light at tip 518 is provided by one or more light sources 508, for example
10 a laser source and/or a flash lamp. In the case of a flash lamp, a filter with one or more spectral pass regions may be provided, for generating a desired spectrum.

The light from the sources is then optionally modulated (e.g., to provide a pulsed source or a different envelope, such as saw-tooth, sinusoidal or one that relates to the desired acoustic waveform) by a modulator and delay source 510. The delay or pulsing phase
15 difference between different light beams may be used, for example, to control a beam direction. In some embodiments, the source is self-modulated (e.g., a pulsed laser).

It should be noted that in many embodiments of the invention a probe 514 can comprise only a single fiber, with a relatively small diameter. Optionally, this fiber is coated with various materials, such as anti-coagulants and bio-compatible polymers. Alternatively or
20 additionally, a hollow waveguide is used.

In some embodiments of the invention, multiple fibers and/or multiple sources are used. In these a coupler or switch 512 may be provided for coupling the light to probe 514 and couple detection light from probe 514 to a detector 504 (if necessary). The generation and detection of light may be controlled, for example, by a controller 506. Optionally, a computer
25 (e.g., a microcontroller) 502 is provided, for example, for a user interface and/or for storing recorded signals, images and/or other data.

An external device 520, for example, an imager, a sound source and/or a treatment device may be controlled by controller 506. In an exemplary embodiment of the invention, the imager is used for reconstructing an image based on acoustic radiation provided by probe 514.
30 Such reconstruction may be, for example, based on detection of transmission and/or reflection radiation, as known in the art. Alternatively or additionally, the imager is used to detect the position of probe 514. An external ultrasound source may be used instead of or in addition to a sound source in probe 514, with probe 514 being used for detection of the sound and providing

an image or other information. A separate treatment device may be controlled by the computer to treat about probe 514, for example, to remain aimed at probe 514 and/or using information or an image from probe 514. Alternatively, manual coordination may be used. The system may also be employed for photo-acoustic imaging where an independent sensor (possibly utilizing
5 the same or a similar optical fiber) maps the temperature of the object under test as the probe tip is scanned through various positions.

Depending on the exact implementation, one or more of the following features may be provided in system 500:

(a) Generation of ultrasonic waves for heating tissue, for example, using lower
10 frequency ultrasound and/or ultrasound generated along a significant length of probe 514.

(b) Generation of ultrasonic waves for fragmenting plaque, stones or other unwanted tissue. Again, lower frequency ultrasound, possibly in a forward direction, may be used. Suitable frequencies and power levels are known in the art.

(c) Generation of ultrasonic waves for imaging, e.g., narrow bandwidth or wide
15 bandwidth, of various frequencies.

(d) Generation of a specialized waveform of ultrasonic waves, for example a train of pulses at well-controlled intervals, or a chirp. For example, a series of absorbing regions are spatially spaced in order to generate the desired temporal behavior of the ultrasonic wave. For example a train of ultrasonic pulses is obtained by a sequence of relatively thin absorbers. The
20 thickness of the absorbers corresponds to the width of each pulse and their separation corresponds to the spacing between the pulses. Using monotonically varying separations and absorber lengths can generate a chirp waveform.

(e) Provision of a forward- or side-looking (e.g., using an angled mirror in or adjacent
the fiber) laser light.

(f) Detection of acoustic radiation.
25

(g) Usage of fiber 516 as a different type of detector for a variety of parameters known in the art of optical fiber sensors, for example a temperature sensor, a pressure detector, electric or magnetic field sensor or chemical sensor.

(h) Generation of directional or omni-directional acoustic fields, for example for
30 effecting sonophoresis for enhancing absorption of pharmaceuticals provided near and/or by probe 514.

(i) Generation and detection of ultrasonic waveforms for characterization of the target material or dimensions, for example based on spectral reflection or other methods known in the art of ultrasonic characterization.

(j) Generation of periodic acousto-thermal signals for imaging and characterization of a target in methods known in the art of photo-acoustic imaging and characterization.

Thus, system 500 (optionally in conjunction with an external device 520) can be used for one or more of the following applications: US plaque fragmentation; laser plaque removal and monitoring; artery dimension monitoring; intra-body measurements and imaging (for example using A-mode and/or Doppler); and/or drug delivery enhancement. Probe 514 can be, for example, a catheter or an endoscope. In an exemplary embodiment of the invention, probe 514 includes an inflatable distal portion, for example a balloon, to ensure contact with surrounding tissue and/or to fix the gaze direction of probe 514.

Fig. 6 illustrates the use of a fiber optic ultrasound source 600 as a guidewire, in accordance with an exemplary embodiment of the invention. A guidewire is widely used in coronary procedures and is typically characterized by having a small diameter, and sufficient flexibility to negotiate the bending in the arteries or other ducts it is introduced into. While some energy may be lost at small bending radii, this is generally not a problem as sufficient energy may be provided from outside the body. For this application source 600 is optionally enclosed in a suitable protective jacket. The resulting device may be made of similar dimension as a standard guidewire and handled with the same procedure, with the significant advantage of potentially offering ultrasonic sensing. Such sensing may be used, for example, for viewing branches in blood vessels during navigation and/or for detecting a stenosis area, and/or for measuring a vessel's dimensions. This advantage alleviates the need to alternately introduce different surgical tools to the treated region, as is state of the art: the guidewire serves to mechanically guide the medical treatment devices – such as stent applicators. It can thereby eliminate the need for applying additional imaging and/or diagnostic tools.

In an exemplary embodiment of the invention, guidewire 600 comprises a single (or small number) of fibers 602 having one or more absorbing regions 604 defined along its length. Optionally a tip 608, for example, a flexible tip or a different type of tip as known in the art of guide-wires is provided at a distal end of guidewire 600. Regions 604 may be used for generating ultrasound, for example, to be detected on an external (or another implanted) imager. Alternatively or additionally, regions 604 are used for imaging sideways or forward and/or for detecting distances and/or obstructions. In the case of a guidewire, viewing in A-

mode, of a single pixel distal of the guidewire tip may be useful, for example, for detecting forks in vessels, determining a depth of plaque and characterizing its components. Optionally the guidewire is used for measurements for example vessel diameter, wall-thickness and stenosis type and/or thickness, which may be useful, for example, in selecting a suitable stent
5 for implantation.

In an exemplary embodiment of the invention, guidewire 600 is used to carry a stent and/or a PCTA balloon, which may be mounted on the guidewire or conveyed along it.

Another use of the potentially small profile of a fiber optic acoustic source is using a fiber as a marker or beacon, for example, for indicating a tool on an ultrasound image or for
10 showing its future path. In this use, the fiber is typically used as a beacon, for example a point beacon or an elongate (e.g., multi-point) beacon. Alternatively, the vibration of the fiber is used to create a Doppler shift in incident radiation. In an exemplary embodiment of the invention, the wavelength of generated ultrasound is made to match that of the imaging system (e.g., 520 of Fig. 5) so that the beacon is clearly distinguished.

Fig. 7 illustrates the use of a fiber optic ultrasound source 700 for marking an invasive
15 tool 702, in accordance with an exemplary embodiment of the invention. In the figure, the invasive tool is a hypodermic needle and the probe passes through the needle possibly without causing significant obstruction thereof. In some embodiments of the invention, ultrasound source 700 is used for position determination of tool 702 alternatively or additionally to being
20 used for imaging as described above. Alternatively or additionally, source 700 is used as a detector to home in on an acoustic beacon, for example a beacon provided by a different implanted fiber. In principle, as ultrasound can traverse the material of the invasive tools, such as the needle, the fiber ultrasonic source can be completely surrounded by the tool, or, as shown in Figure 7, can be allowed to protrude beyond the tool.

In an exemplary embodiment of the invention, two or more ultrasonic sources are used
25 to better locate the marked tool. If only a point source is used the only indication that can be obtained using a simple detector is the distance to the beacon and the marked tool is known to be located somewhere on a sphere. By providing two or more sources, positioned a known distance apart, the tool can be positioned at the intersection of the tool length with the two
30 spheres scribed by the distances measured to either source. This reduces the ambiguity of the location, in most practical situation, to a conical surface in 3D space. If, for example, the system tracks the relative motion between the imaging system (e.g., detector) and the sources the ambiguity can be reduced further by the generation of a family of such conical section in

space that cut each other in a decreasing area. Thus, the condition of “physical” continuous motion of the tool offers an unambiguous solution for the position of the beacon in space. Alternatively, a plurality of detectors or more than two sources may be used. To assist the discrimination between the beacon signal and the standard imaging signal of the imaging system, the signal from the beacon can be designed to produce a specialized waveform which can readily be separated from the imaging signals. For example a train of pulses or a chirp, while essentially at the same frequency as the imaging system, can readily be distinguished from the imaging signals. Alternatively or additionally, a source that generates different frequencies at different points along its length may be used and identified (e.g., utilizing different wavelength selective absorbers with different geometries).

Additional potential advantages of an acoustic-optical transducer in accordance with exemplary embodiments of the present invention, include:

- (a) Transferring significant power to a catheter tip.
- (b) Reduced diameter probes.
- (c) Ability to be used in strong magnetic fields such as MRI fields.
- (d) Avoiding grounding problems, especially when the probe is used under field conditions.
- (e) Simplicity of construction.
- (f) Low cost of the active portion of the system, which can be discarded and replaced after each (or a small number of) surgery procedure.

In some embodiments of the invention, an opto-acoustic transducer as described above is used for a multi-element probe, which may, for example, be used outside the body. Fig. 8 illustrates a multi-element probe 800, in accordance with an exemplary embodiment of the invention. In an exemplary embodiment of the invention, probe 800 comprises a plurality of fibers 802 each with an acoustically active tip 804. The tips are arranged, for example, in a probe body 806. Each fiber may be activated individually. Alternatively or additionally, the fibers are activated in concert, for example as a phased-array. In an exemplary embodiment of the invention, the fibers are powered using a flash lamp, for example, using an electrically controlled LCD to selectively pass light to fibers. Unlike standard piezoelectric transducers, probe 800 does not typically require high voltages (or any voltages) at body 806.

The fibers are typically oriented in a linear array, laid side-by side, each fiber generating in the side-looking configuration. The beam manipulation in the plane of the array vector may then be provided by phasing the generation of each fiber-element. The

manipulation of the resulting beam in the perpendicular direction may be effected by the multiple generating/receiving elements in each fiber. In this manner a two-dimensional phased array can be formed. Additionally or alternatively, the fiber sources can be used in the forward-looking configuration. In this option a one- or a two-dimensional array is formed by assembling the fiber tips in a line or a two-dimensional matrix, respectively. In this case the beam is optionally manipulated by phasing the transduction of all the array elements. In both of the examples above, a suitable ultrasonic isolation medium is optionally provided to minimize the cross-talk between adjacent elements.

Fig. 9 is a graph illustrating experimental results of a device constructed in accordance with an exemplary embodiment of the invention. This signal was acquired using a single absorbing region transmitter fiber and a polarization-demodulated birefringent fiber receiver. The device is inserted in a lucite tubing filled with saline. The first signal relates to the direct acoustic cross-talk between the transmitter and the receiver. The tubing wall generates acoustic signals from its front- and back-surfaces. Note the reversal of the signal phase at the front wall as expected from a low to high acoustic impedance. For reasons of convenience, a liquid target was used instead of a solid target for generating the ultrasound. However, as noted above, this may be provided in some embodiments of the invention. Generation is effected with a laser pulse of $1\mu\text{J}$, 10ns rise time at 1,064nm. Detection with a 532nm laser, and approximate power of 5mW. The generation and detection fibers, both multimode, are positioned about 1mm apart and some 5mm from the wall of the tubing in a side-looking arrangement. Tube wall is approx. 2mm thick. The frequency of the generated ultrasound is approx. 3MHz as expected from the generating region used: a gradual boundary liquid region mounted onto the fiber, approximately 0.8 mm wide.

While the above description focused on optical fibers, other waveguides may be used, for example hollow, lens-series or mirror waveguides for long wavelength infra red radiation. One possible reason for using such waveguides is that a same waveguide is used for generating acoustic energy and for conveying electromagnetic radiation (e.g., RF radiation). Alternatively or additionally, the illuminating electro-magnetic radiation may be RF radiation, with the waveguide being of a suitable type.

The present invention has been described using non-limiting detailed descriptions of embodiments thereof that are provided by way of example and are not intended to limit the scope of the invention. It should be understood that features and/or steps described with respect to one embodiment may be used with other embodiments and that not all embodiments

of the invention have all of the features and/or steps shown in a particular figure or described with respect to one of the embodiments. Variations of embodiments described will occur to persons of the art. In addition, some embodiments are described as method or as apparatus, the scope of the invention includes apparatus, for example, firmware, hardware and/or software for
5 carrying out the method and/or methods for using the apparatus, as well as computer readable media and/or communication signals on which such software is stored.

It is noted that some of the above described embodiments may describe a best mode contemplated by the inventors and therefore include structure, acts or details of structures and acts that may not be essential to the invention and which are described as examples. Structure
10 and acts described herein are replaceable by equivalents which perform the same function, even if the structure or acts are different, as known in the art. Therefore, the scope of the invention is limited only by the elements and limitations as used in the claims. When used in the following claims, the terms "comprise", "include", "have" and their conjugates mean "including but not limited to".

CLAIMS

1. An acoustic generator, comprising:
a source of electro-magnetic radiation;
5 a waveguide coupled to said source; and
at least one absorbing region defined in said waveguide, said region being selectively absorbing for portions of said radiation meeting at least one certain criterion and having significantly different absorbing characteristics for radiation not meeting said criterion, both of said radiation portions being suitable for conveyance through said waveguide,
10 wherein said absorbing region converts said radiation into an ultrasonic acoustic field.
2. A generator according to claim 1, wherein said criterion comprises wavelength such that said absorbing region is wavelength selective.
- 15 3. A generator according to claim 1 or claim 2, wherein said criterion comprises polarization such that said absorbing region is polarization selective.
4. A generator according to any of claims 1-3, wherein said generator is adapted to be inserted into a body.
20
5. A generator according to any of claims 1-4, wherein said waveguide comprises an optical fiber.
6. A generator according to claim 5, wherein said fiber includes a non-acoustic optical
25 fiber sensor.
7. A generator according to claim 5, wherein said absorbing region comprises a segment that is added to said fiber.
- 30 8. A generator according to claim 5, wherein said absorbing region comprises a doping of a core or damage to the core of said fiber.

9. A generator according to any of claims 1-8, wherein said absorbing region is optically controllable to change at least one of said criterion and its absorption.

5 10. A generator according to any of claims 1-9, wherein said source comprises a laser source.

11. A generator according to any of claims 1-10, wherein said source comprises a coupler for a laser source.

10 12. A generator according to any of claims 1-10, wherein said source comprises a spectral filter.

13. A generator according to any of claims 1-12, wherein said at least one absorbing region comprises at least two absorbing regions.

15

14. A generator according to any of claims 1-12, wherein said at least one absorbing region comprises at least three absorbing regions.

20 15. A generator according to any of claims 1-12, wherein said at least one absorbing region comprises at least four absorbing regions.

16. A generator according to claim 13, wherein said at least two regions have same absorbing characteristics.

25 17. A generator according to claim 13, wherein said at least two regions have different absorbing characteristics.

18. A generator according to any of claims 13-17, wherein said at least two regions have at least one different absorption selectivity criterion.

30

19. A generator according to any of claims 13-17, wherein said at least two regions have same selectivity.

20. A generator according to any of claims 13-17, wherein the absorption properties of said at least two regions are adjusted so as to achieve a desired effect on said ultrasonic waves.
21. A generator according to any of claims 13-17, wherein said at least two regions are spaced apart to achieve a desired effect on said ultrasonic waves.
22. A generator according to claim 21, wherein said effect is selection of a wavelength spectrum.
23. A generator according to claim 20 or claim 21, wherein said effect is a selection of a spatial field distribution.
24. A generator according to claim 21, wherein said effect is a selection of an acoustic envelope shape.
25. A generator according to any of claims 1-24, wherein said absorbing region is a volume absorber that absorbs said radiation along its length in a direction of propagation of said radiation.
26. A generator according to claim 25, wherein said absorbing region has axially uniform absorption characteristics, along the axis of said waveguide.
27. A generator according to claim 25, wherein said absorbing region has axially non-uniform absorption characteristics, along the axis of said waveguide.
28. A generator according to claim 27, wherein said absorbing region has stepped absorption characteristics, along the axis of said waveguide.
29. A generator according to any of claims 1-28, wherein said absorbing region is a solid absorber.
30. A generator according to any of claims 1-28, wherein said absorbing region is a fluid absorber.

31. A generator according to any of claims 1-30, wherein said waveguide comprises an acousto-optical modulator portion that modulates light waves responsive to an acoustic field.

5 32. A generator according to claim 31, comprising an optical detector coupled to said waveguide which generates a signal responsive to said acoustic field.

33. A generator according to claim 32, wherein said optical detector detects radiation that passes through said absorbing region unabsorbed.

10

34. A generator according to claim 32 or claim 33, comprising a signal processor that reconstructs an image from said signal.

35. A generator according to claim 34, wherein said image is a one dimensional image.

15

36. A generator according to claim 34, wherein said image is a two dimensional image.

37. A generator according to claim 32 or claim 33, comprising a signal processor operative to reconstruct a tissue characterization from said signal.

20

38. A generator according to claim 32 or claim 33, comprising a signal processor operative to reconstruct a distance from said signal.

25 39. A generator according to any of claims 1-38, wherein said source provides a high power laser beam that passes through said absorbing region substantially unabsorbed.

40. A generator according to any of claims 1-39, wherein said selectivity provides selectivity of at least two different criteria of wavelengths that can pass through said waveguide.

30

41. A generator according to any of claims 1-39, wherein said selectivity provides selectivity of at least three different criteria of wavelengths that can pass through said waveguide.

42. A generator according to any of claims 1-41, comprising a plurality of waveguides arranged in a phased-array and a controller that controls said source to activate said array as a phased-array.

5

43. A generator according to any of claims 1-41, wherein said ultrasonic wave is operative to be steered in space by said generator without moving the absorbing region.

10

44. A generator according to any of claims 1-41, wherein said generator comprises only a single waveguide.

45. A generator according to any of claims 1-44, comprising an ultrasonic absorber, which spatially shapes said ultrasonic waves.

15

46. A generator according to any of claims 1-45, comprising a controller operative to control said source.

47. A generator according to claim 46, wherein said controller synchronizes an operation of said generator with a separate treatment device.

20

48. A generator according to claim 46 or 47, wherein said controller synchronizes an operation of said generator with a separate imaging device.

25

49. A generator according to claim 46 or 47, wherein said controller reads out optical signals received via said waveguide.

50. An acoustic generator, comprising:

a source of electro-magnetic radiation;

a waveguide coupled to said source; and

30

at least one volumetric absorbing region defined in said waveguide, which absorbs radiation along its length in a direction of propagation of said radiation,

wherein said absorbing region converts said radiation into an ultrasonic acoustic field.

51. A generator according to claim 50, wherein said absorber is uniformly absorbing along its length.

52. A generator according to claim 50, wherein said absorber is non-uniformly absorbing along its length.

53. A generator according to claim 52, wherein said non-uniformity is designed to achieve a certain absorption profile.

54. A generator according to claim 53, wherein said absorption profile is designed to achieve a substantially uniform energy deposition along said absorber.

55. A generator according to claim 52, wherein said non-uniformity is stepped, defining a plurality of contiguous uniform sub-regions with different absorbing characteristics.

56. A generator according to claim 52, wherein said non-uniformity is stepped, defining a plurality of non-contiguous uniform sub-regions with different absorbing characteristics.

57. A generator according to any of claims 50-56, comprising a reflector for reflecting at least a portion of the light that passes once through said absorber, to pass at least a second time through said absorber.

58. A generator according to claim 57, comprising a second reflector for reflecting at least a portion of the light that passes twice through said absorber, to pass at least a third time through said absorber.

59. A generator according to claim 57, wherein said second reflector is polarization discriminating and comprising a polarization rotator.

60. A generator according to any of claim 50-59, wherein half a thickness of said absorption area absorbs less than 80% of light absorbed by said absorbing area.

61. A generator according to any of claim 50-60, wherein said absorbing region has a non-uniform cross-section.

5 62. A generator according to any of claim 50-60, wherein said absorbing region does not fill a cross-section of said waveguide.

63. A generator according to any of claim 50-60, wherein said waveguide guides substantially all radiation provided in waveguide to said absorbing region.

10 64. A generator according to claim 63, wherein said guidance comprises guiding said radiation to have a substantially uniform cross-section along said absorbing region.

65. A generator according to any of claim 50-64, wherein said absorbing region selectively absorbs only some of said radiation.

15

66. A generator according to any of claim 50-65, comprising a plurality of absorbing regions.

20

67. A generator according to claim 66, wherein said absorbing regions are arranged along an axis of said waveguide.

68. A generator according to claim 66, wherein said absorbing regions are arranged in a trans-axial direction of said waveguide.

25

69. A generator according to any of claims 66-68, wherein said multiple absorbing regions have same absorption characteristics.

70. A generator according to any of claims 66-69, wherein at least one of said multiple absorbing regions has a different absorption characteristics from another one of said regions.

30

71. A generator according to any of claims 66-70, wherein at least two of said multiple regions at least partially overlap.

72. A generator according to any of claims 66-71, wherein at least one of said multiple regions is selectively addressable to control a direction of said ultrasonic waves.

73. A generator according to any of claims 66-71, wherein at least one of said multiple regions is selectively addressable to control a frequency of said ultrasonic waves.

74. A generator according to any of claims 50-73, wherein said waveguide is an optical fiber.

75. A generator according to any of claims 50-74, wherein said absorbing region has sharp boundaries.

76. A generator according to any of claims 50-74, wherein said absorbing region has at least one blurred boundary.

77. A method of designing an ultrasonic generator powered by electromagnetic radiation, comprising:
determining a desired property of a generated ultrasonic wave; and
calculating a spatial absorbing profile of at least one transduction region of said generator to achieve said desired property.

78. A method of designing an ultrasonic generator powered by electromagnetic radiation, comprising:
determining a desired property of a generated ultrasonic wave; and
calculating at least one of a geometric characteristic and a physical characteristic of at least two transduction regions of said generator to achieve said desired property.

79. A method according to claim 78, wherein said geometric characteristic comprises a length of at least one of said regions.

80. A method according to claim 78 or claim 79, wherein said geometric characteristic comprises a spacing between said regions.

81. A method according to any of claims 78-80, wherein said geometric characteristic comprises a number of said regions.
82. A method according to any of claims 78-81, wherein said physical characteristic
5 comprises an optical density of at least one of regions.
83. A method according to any of claims 78-82, wherein said physical characteristic comprises a uniformity of density of at least one of regions.
- 10 84. A method according to any of claims 78-83, wherein said property comprises a characteristic wavelength, for a given driving scheme.
85. A method according to any of claims 78-84, wherein said property comprises a characteristic wavelength power spectra, for a given driving scheme.
- 15 86. A method according to any of claims 78-85, wherein said property comprises a spatial propagation profile, for a given driving scheme.
87. A method according to any of claims 78-86, wherein said property comprises a
20 characteristic acoustic envelope for a given driving scheme.
88. A method according to any of claims 78-87, wherein said calculating is performed prior to manufacture of said generator.
- 25 89. A method according to any of claims 78-87, wherein said calculating is performed after manufacture and prior to use of said generator.
90. A method according to claim 89, comprising effecting at least one of said characteristics by selecting an irradiation wavelength of said absorbing areas.
- 30 91. A method according to claim 89, comprising effecting at least one of said characteristics by optically activating at least one of said absorbing areas.

92. An acoustic generator, comprising:
a source of electro-magnetic radiation; and
a plurality of waveguides coupled to said source, each waveguide defining an
absorbing region that converts said radiation into an ultrasonic acoustic field,
5 wherein said source irradiates at least two of said plurality of waveguide at a same time
such that fields of said two waveguides interact.

93. A generator according to claim 92, comprising a controller, coupled to said source and
operative to selectively control each of said acoustic fields.

10

94. A generator according to claim 93, wherein said controller sets a relative phase
between said two fields.

15

95. A generator according to any of claims 93-94, wherein said controller sets a relative
pulse rate between pulsed light provided in said two waveguides.

96. A generator according to any of claims 93-94, wherein said controller sets a relative
pulse phase between pulsed light provided in said two waveguides.

20

97. A generator according to any of claims 93-96, wherein said controller sets a relative
amplitude between said two waveguides.

98. A generator according to any of claims 92-97, wherein said fields interact to obtain a
desired propagation direction.

25

99. A generator according to any of claims 92-98, wherein said fields interact to enhance
power in a certain wavelength.

100. An ultrasonic generator, comprising:

30

a source of electro-magnetic radiation that generates radiation having a plurality of
propagating components;
an electromagnetic waveguide; and

an absorbing region in said waveguide that converts incident electromagnetic radiation into ultrasonic waves, wherein only one of said components interacts with said absorbing region to create ultrasound.

5 101. A generator according to claim 100, wherein a second one of said components interacts with said waveguide other than at said absorber to generate ultrasound.

102. A generator according to claim 100, wherein said second generated ultrasound has an intensity high enough to attack adjacent plaque in a blood vessel.

10

103. A generator according to any of claims 100-102, comprising an optical acoustic detector in said waveguide and wherein an additional one of said components interacts with said waveguide to detect an ambient ultrasonic field.

15 104. A generator according to any of claims 100-103, wherein a second one of said components exits said waveguide at a high enough power to interact with in-vivo biological tissue.

20 105. A generator according to any of claims 100-104, wherein said different components have different polarizations.

106. A generator according to any of claims 100-104, wherein said different components have different wavelengths.

25 107. An ultrasonic probe, comprising:
a waveguide having an axis along which electromagnetic radiation propagates and defining an absorber that converts said radiation into forward propagating ultrasound that further propagates in a general direction of said axis; and
an output port that outputs light carries in a same direction as said ultrasound.

30

108. A probe according to claim 107, wherein said output port is formed in said waveguide.

109. A probe according to claim 107 or claim 108, comprising a forward looking ultrasonic detector defined in said waveguide.

110. An acoustic generator, comprising:

5

a source of electro-magnetic radiation;

a waveguide coupled to said source; and

a plurality of spaced apart absorbing regions defined in said waveguide,

wherein each of said absorbing region converts said radiation into an ultrasonic acoustic field.

10

111. A generator according to any of claims 1-76, 92-106 or 110, wherein said waveguide is flexible.

112. A generator according to any of claims 1-76, 92-106 or 110, wherein said waveguide is
15 rigid.

113. A generator according to any of claims 1-76, 92-106 or 110-112 wherein said waveguide is formed into a guidewire.

20

114. A generator according to any of claims 1-76, 92-106 or 110-112, wherein said waveguide is formed into a catheter.

115. A generator according to claim 114, wherein said catheter is a balloon catheter.

1/6

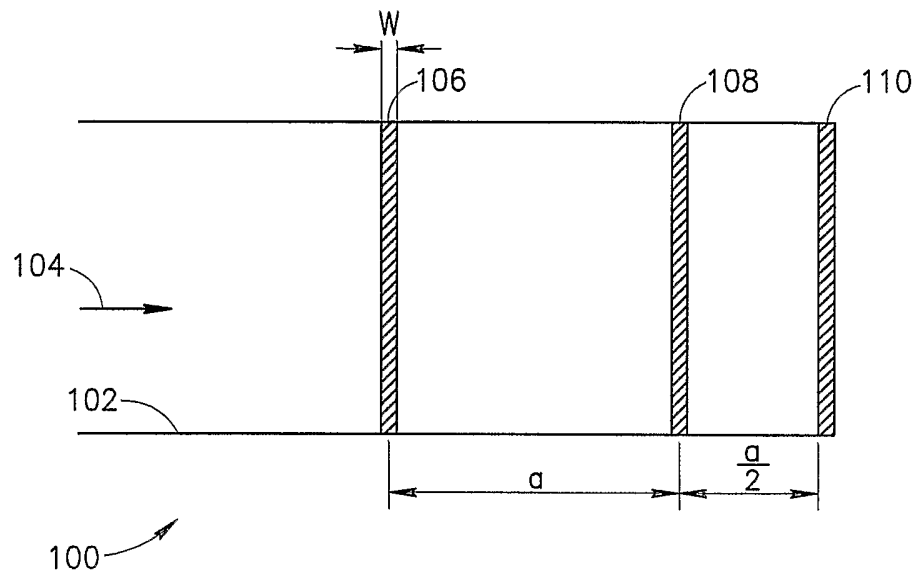


FIG. 1

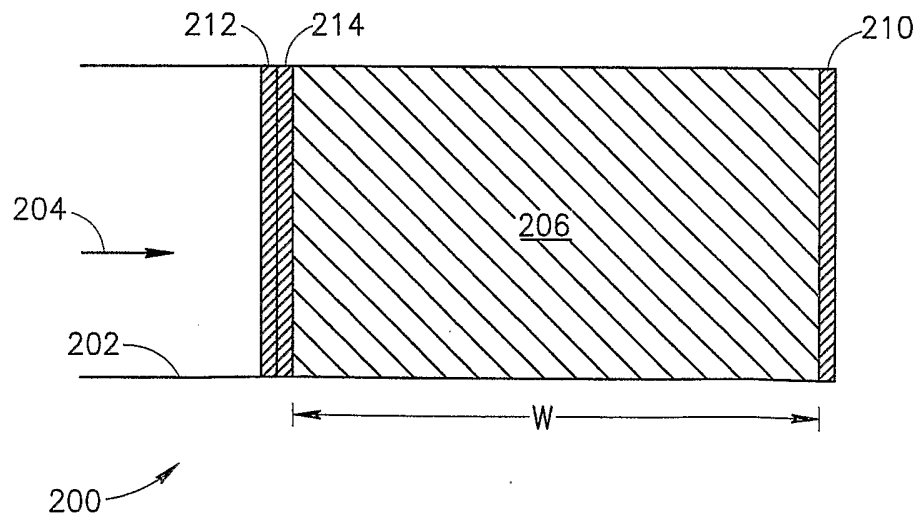
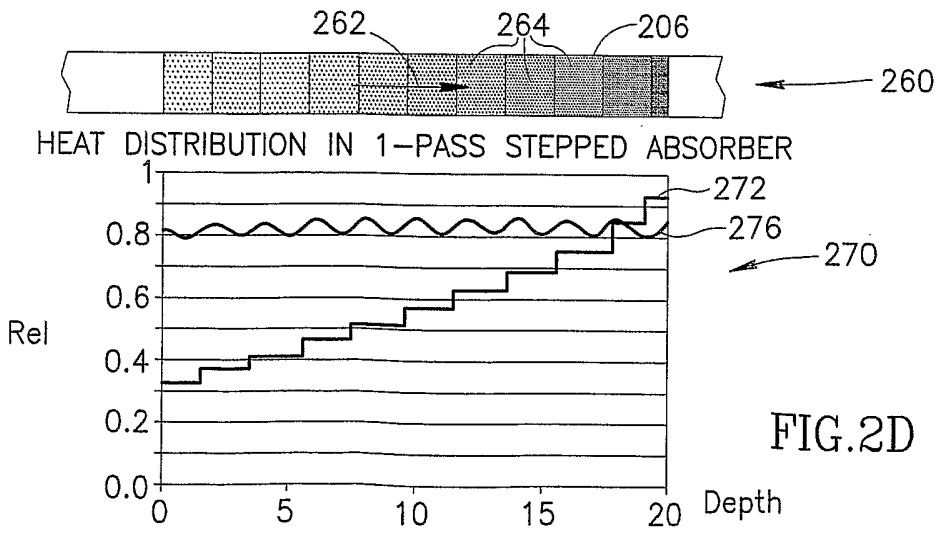
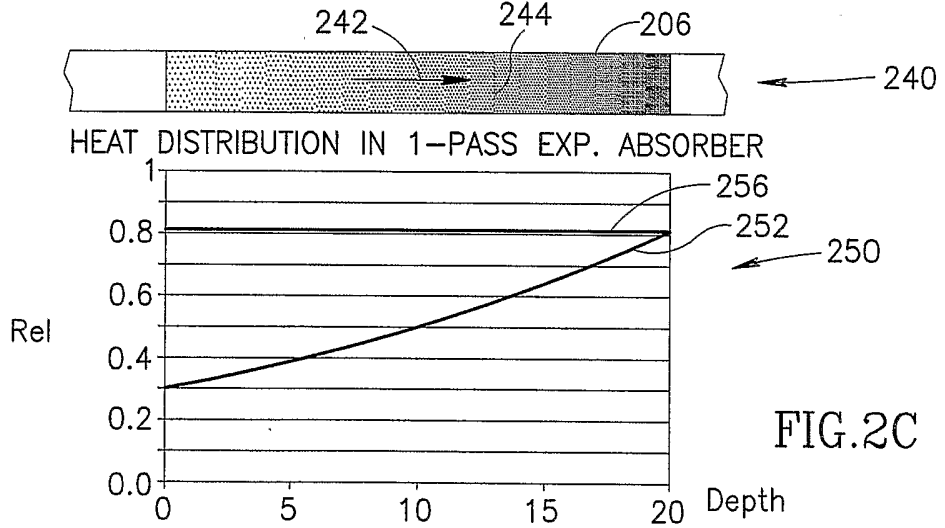
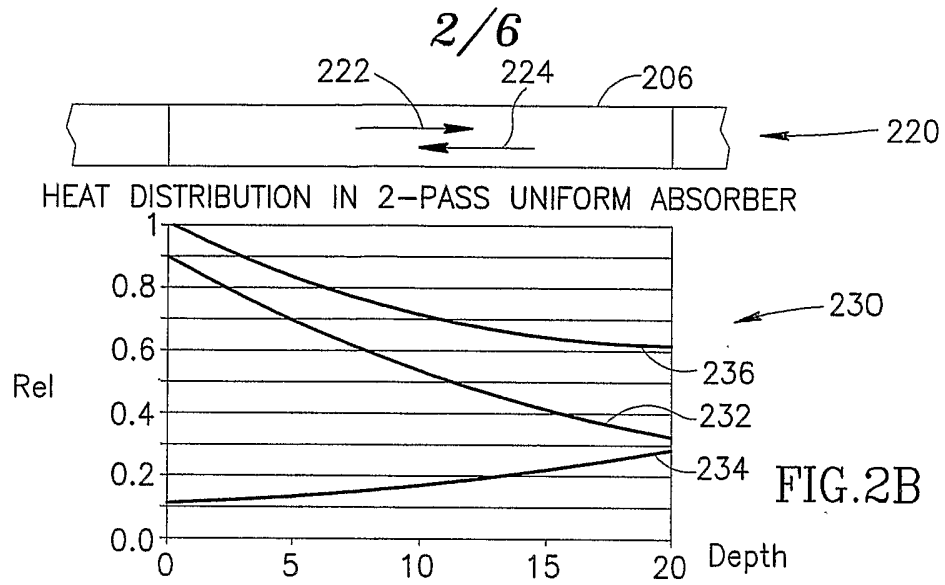


FIG. 2A



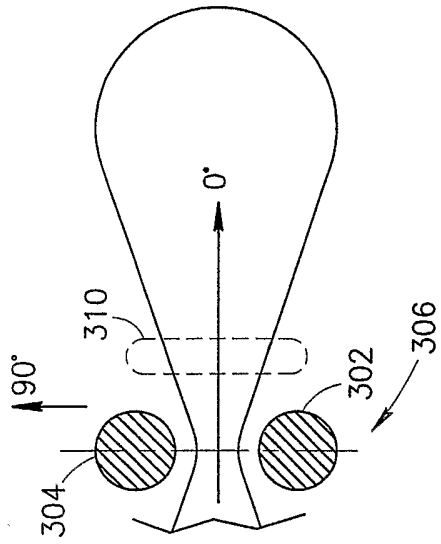


FIG. 3B

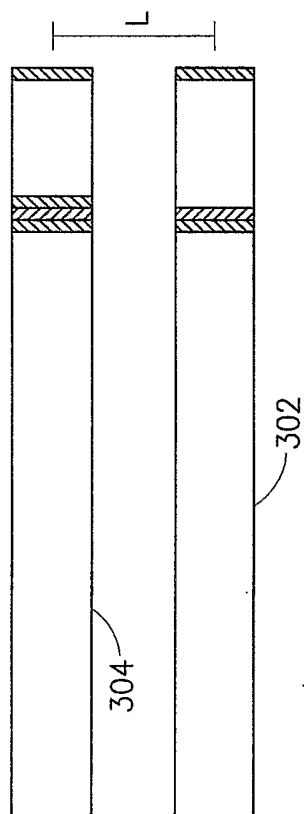


FIG. 3A

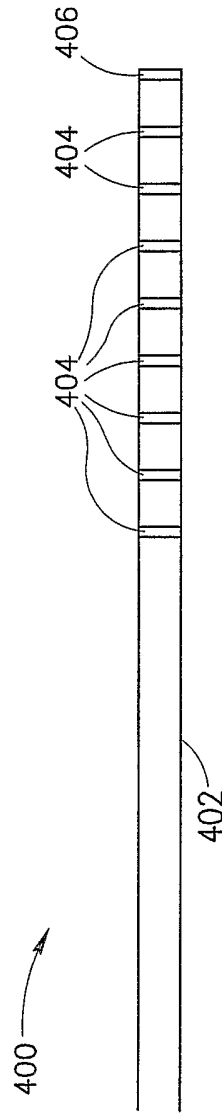


FIG. 4

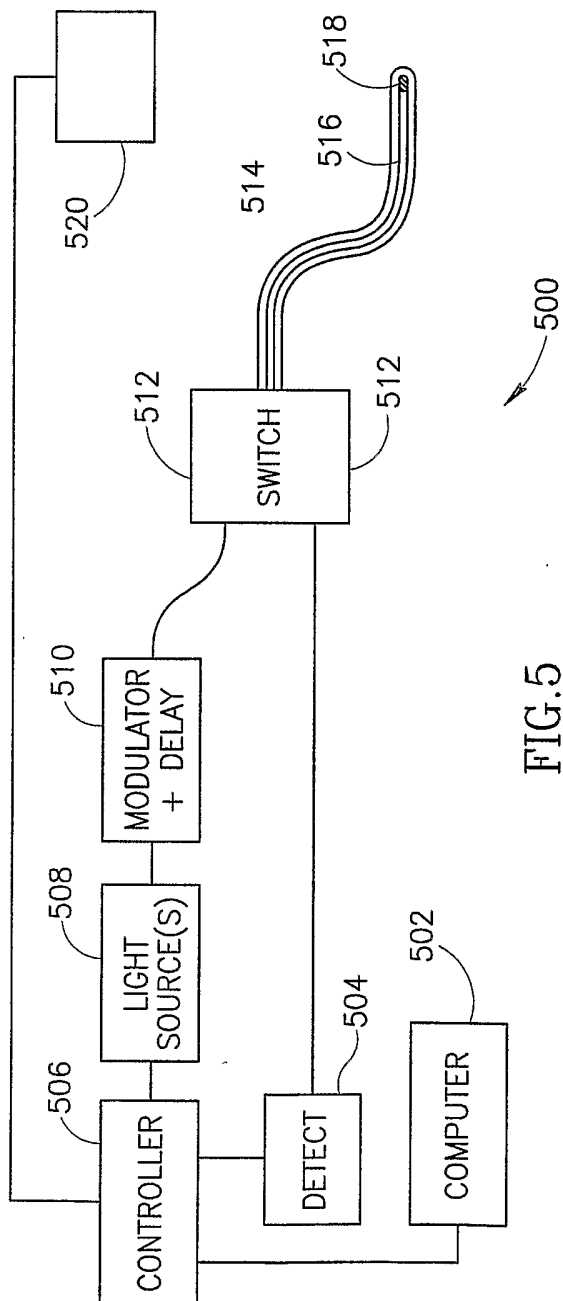


FIG. 5

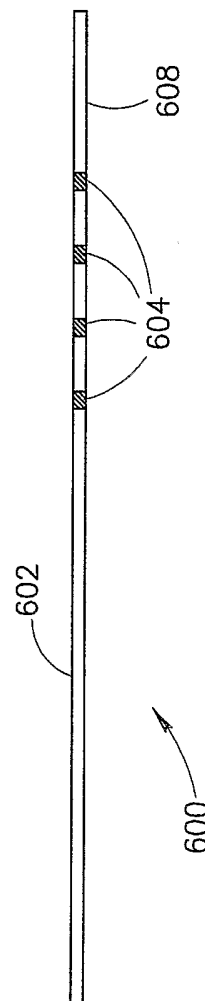


FIG. 6

5/6

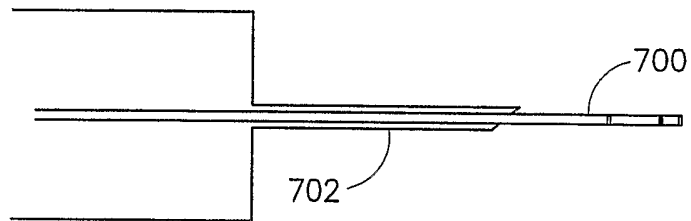


FIG. 7

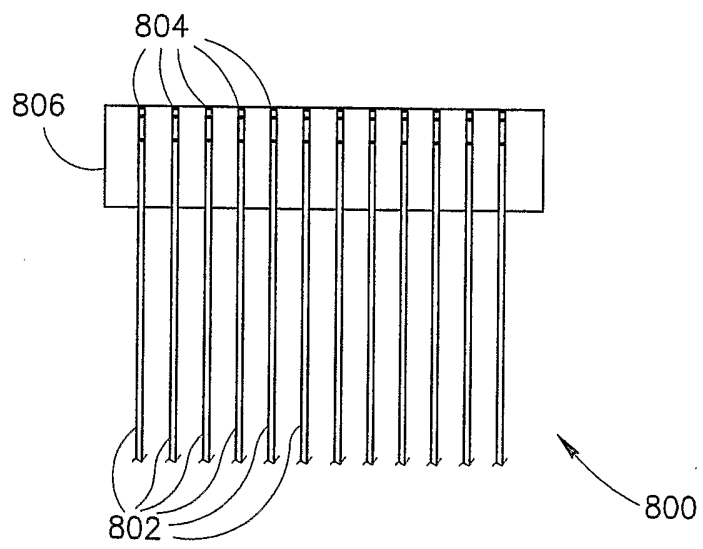


FIG. 8

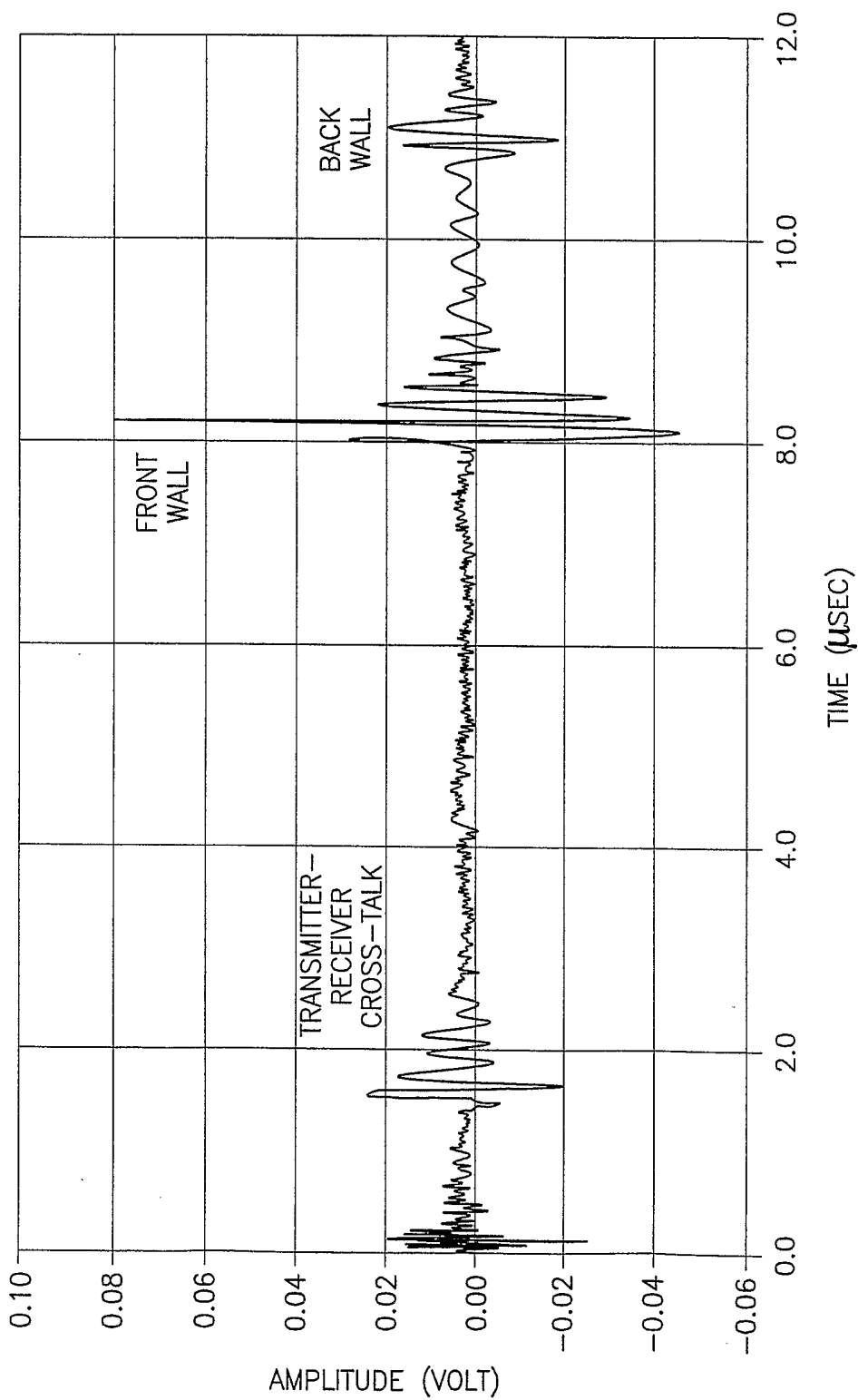


FIG.9

INTERNATIONAL SEARCH REPORT

International Application No

PCT/IL 02/00018

A. CLASSIFICATION OF SUBJECT MATTER

IPC 7 A61B18/26

According to International Patent Classification (IPC) or to both national classification and IPC

B. FIELDS SEARCHED

Minimum documentation searched (classification system followed by classification symbols)

IPC 7 A61B G01H

Documentation searched other than minimum documentation to the extent that such documents are included in the fields searched

Electronic data base consulted during the international search (name of data base and, where practical, search terms used)

EPO-Internal, WPI Data, PAJ

C. DOCUMENTS CONSIDERED TO BE RELEVANT

Category °	Citation of document, with indication, where appropriate, of the relevant passages	Relevant to claim No.
X	DE 24 12 690 A (WOLF GMBH RICHARD) 17 October 1974 (1974-10-17)	1, 2, 4, 5, 7-11, 25, 26, 29, 30, 40, 41, 43-46, 50, 51, 60, 63, 64, 74, 75, 77-80, 82, 84-91, 111-115
A	page 5, paragraph 3 - paragraph 4 page 6, paragraph 2 ----- -/--	100, 107, 110

 Further documents are listed in the continuation of box C. Patent family members are listed in annex.

° Special categories of cited documents :

A document defining the general state of the art which is not considered to be of particular relevance

E earlier document but published on or after the international filing date

L document which may throw doubts on priority claim(s) or which is cited to establish the publication date of another citation or other special reason (as specified)

O document referring to an oral disclosure, use, exhibition or other means

P document published prior to the international filing date but later than the priority date claimed

T later document published after the international filing date or priority date and not in conflict with the application but cited to understand the principle or theory underlying the invention

X document of particular relevance; the claimed invention cannot be considered novel or cannot be considered to involve an inventive step when the document is taken alone

Y document of particular relevance; the claimed invention cannot be considered to involve an inventive step when the document is combined with one or more other such documents, such combination being obvious to a person skilled in the art.

& document member of the same patent family

Date of the actual completion of the international search

13 November 2002

Date of mailing of the international search report

21. 11. 2002

Name and mailing address of the ISA

European Patent Office, P.B. 5818 Patentlaan 2
NL - 2280 HV Rijswijk
Tel. (+31-70) 340-2040, Tx. 31 651 epo nl,
Fax: (+31-70) 340-3016

Authorized officer

Mayer, E

INTERNATIONAL SEARCH REPORT

International Application No

PCT/IL 02/00018

C.(Continuation) DOCUMENTS CONSIDERED TO BE RELEVANT

Category °	Citation of document, with indication, where appropriate, of the relevant passages	Relevant to claim No.
X	US 5 944 687 A (DA SILVA LUIZ ET AL) 31 August 1999 (1999-08-31) cited in the application	1,2,4,5, 7-11,25, 26,29, 30,40, 41, 43-46, 50,51, 60,63, 64,74, 75, 77-80, 82, 84-91, 111-115
A	column 3, line 33 - line 37 column 4, line 66 -column 5, line 2 column 6, line 34 - line 37; figure 1 -----	100,107
X	WO 00 33913 A (STRATEGIC BUSINESS DEV INC) 15 June 2000 (2000-06-15) page 11, line 25 - line 35 page 14, line 34 -page 15, line 6 -----	92-99
A	WO 91 10403 A (CANDELA LASER CORP) 25 July 1991 (1991-07-25) page 6, line 10 - line 12 -----	1
A	US 4 844 585 A (CULSHAW BRIAN ET AL) 4 July 1989 (1989-07-04) column 2, line 68 -column 3, line 22; figures 5,6 -----	1

INTERNATIONAL SEARCH REPORT

international application No.
PCT/IL 02/00018

Box I Observations where certain claims were found unsearchable (Continuation of item 1 of first sheet)

This International Search Report has not been established in respect of certain claims under Article 17(2)(a) for the following reasons:

1. Claims Nos.:
because they relate to subject matter not required to be searched by this Authority, namely:

2. Claims Nos.:
because they relate to parts of the International Application that do not comply with the prescribed requirements to such an extent that no meaningful International Search can be carried out, specifically:

3. Claims Nos.:
because they are dependent claims and are not drafted in accordance with the second and third sentences of Rule 6.4(a).

Box II Observations where unity of invention is lacking (Continuation of item 2 of first sheet)

This International Searching Authority found multiple inventions in this international application, as follows:

see additional sheet

1. As all required additional search fees were timely paid by the applicant, this International Search Report covers all searchable claims.
2. As all searchable claims could be searched without effort justifying an additional fee, this Authority did not invite payment of any additional fee.
3. As only some of the required additional search fees were timely paid by the applicant, this International Search Report covers only those claims for which fees were paid, specifically claims Nos.:
4. No required additional search fees were timely paid by the applicant. Consequently, this International Search Report is restricted to the invention first mentioned in the claims; it is covered by claims Nos.:

Remark on Protest

- The additional search fees were accompanied by the applicant's protest.
- No protest accompanied the payment of additional search fees.

FURTHER INFORMATION CONTINUED FROM PCT/ISA/ 210

This International Searching Authority found multiple (groups of) inventions in this international application, as follows:

1. Claims: 1-91,100-115

acoustic generator with selective absorbing region

2. Claims: 92-99

generator with a plurality of waveguides comprising each an absorber

INTERNATIONAL SEARCH REPORT

Information on patent family members

International Application No

PCT/IL 02/00018

Patent document cited in search report		Publication date		Patent family member(s)	Publication date
DE 2412690	A	17-10-1974	AT	321448 B	25-03-1975
			DE	2412690 A1	17-10-1974
US 5944687	A	31-08-1999	AU	2809997 A	12-11-1997
			EP	0902654 A1	24-03-1999
			JP	2000508939 T	18-07-2000
			WO	9739691 A1	30-10-1997
			US	6379325 B1	30-04-2002
WO 0033913	A	15-06-2000	AU	2045500 A	26-06-2000
			WO	0033913 A2	15-06-2000
WO 9110403	A	25-07-1991	AU	7072891 A	05-08-1991
			WO	9110403 A1	25-07-1991
US 4844585	A	04-07-1989	GB	2201778 A , B	07-09-1988