



US00D734718S

(12) **United States Design Patent**
Fournier et al.

(10) **Patent No.:** **US D734,718 S**

(45) **Date of Patent:** **** Jul. 21, 2015**

(54) **FLAMELESS CANDLE RECHARGING TRAY**

(71) Applicant: **WINVIC SALES INC.**, Markham,
Ontario (CA)

(72) Inventors: **Bernard Fournier**, Delson (CA);
Frédéric Boucher, Delson (CA); **Carlos**
Carpintero, Delson (CA)

(73) Assignee: **Winvic Sales, Inc.**, Markham, Ontario
(CA)

(**) Term: **14 Years**

(21) Appl. No.: **29/478,066**

(22) Filed: **Dec. 31, 2013**

Related U.S. Application Data

(63) Continuation of application No. 14/077,736, filed on
Nov. 12, 2013, which is a continuation of application
No. 13/096,424, filed on Apr. 28, 2011, now Pat. No.
8,579,461.

(51) **LOC (10) Cl.** **13-02**

(52) **U.S. Cl.**
USPC **D13/108**

(58) **Field of Classification Search**
USPC D13/107-110, 118-119, 184, 199;
D14/251, 253, 432, 434; 320/107-115,
320/128, 137-140

See application file for complete search history.

(56) **References Cited**

U.S. PATENT DOCUMENTS

4,764,853	A	8/1988	Thomas et al.	
D326,200	S *	5/1992	Allen et al.	D6/479
D348,046	S *	6/1994	Hulsebus	D13/119
D350,329	S *	9/1994	Lindeman et al.	D13/107
5,814,968	A	9/1998	Lovegren et al.	

D413,021	S *	8/1999	Wheatley et al.	D14/240
6,479,965	B2	11/2002	Barbeau et al.	
6,926,423	B2	8/2005	Bucher et al.	
D510,562	S *	10/2005	Lodato et al.	D13/108
D519,921	S *	5/2006	Claxton et al.	D13/108
D520,447	S *	5/2006	Liu	D13/108
D523,810	S *	6/2006	Doong	D13/108
D528,072	S *	9/2006	Chen et al.	D13/108
D567,171	S *	4/2008	Yu et al.	D13/110
D588,536	S *	3/2009	Wahl et al.	D13/108
D609,637	S *	2/2010	Chu et al.	D13/108
D629,355	S *	12/2010	Bodley et al.	D13/108
D631,435	S *	1/2011	Cacioppo et al.	D13/107
D638,020	S *	5/2011	Johnson et al.	D14/434
D638,790	S *	5/2011	Daniel	D13/108
7,967,484	B2	6/2011	Lederer	
8,007,144	B2	8/2011	Lederer	
8,210,708	B2 *	7/2012	Hau et al.	362/183
8,378,624	B2 *	2/2013	Boyles et al.	320/107
8,454,190	B2 *	6/2013	Hau et al.	362/183
8,704,485	B1 *	4/2014	Tsukamoto et al.	320/112
D710,797	S *	8/2014	Awiszus et al.	D13/107
2005/0169666	A1	8/2005	Porchia et al.	
2005/0264261	A1	12/2005	Barbeau	

(Continued)

Primary Examiner — Rosemary K Tarcza

(74) *Attorney, Agent, or Firm* — McAndrews, Held & Malloy, Ltd.

(57) **CLAIM**

The ornamental design for a flameless candle recharging tray, as shown and described.

DESCRIPTION

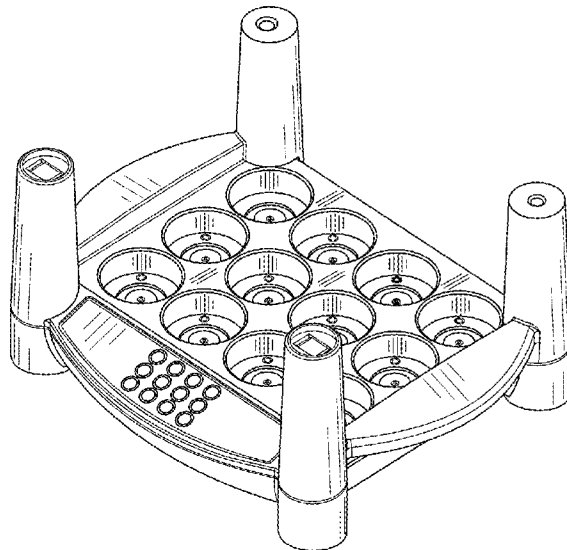
FIG. 1 is a top perspective view for a first embodiment of a flameless candle recharging tray showing our new design; and,

FIG. 2 is a bottom perspective view thereof.

The dotted lines are for environmental purposes only and form no part of the claimed design.

Any portion not shown is not part of the claimed design.

1 Claim, 2 Drawing Sheets



(56)

References Cited

U.S. PATENT DOCUMENTS

2007/0114969 A1 5/2007 Marmaropoulos
2007/0223217 A1 9/2007 Hsu
2007/0258226 A1 11/2007 Ong et al.

2010/0124050 A1 5/2010 Hau
2011/0121783 A1* 5/2011 Boyles et al. 320/113
2013/0265748 A1* 10/2013 Hau et al. 362/183
2013/0285606 A1* 10/2013 Ben-Shalom et al. 320/108
2014/0266008 A1* 9/2014 Partee 320/107

* cited by examiner

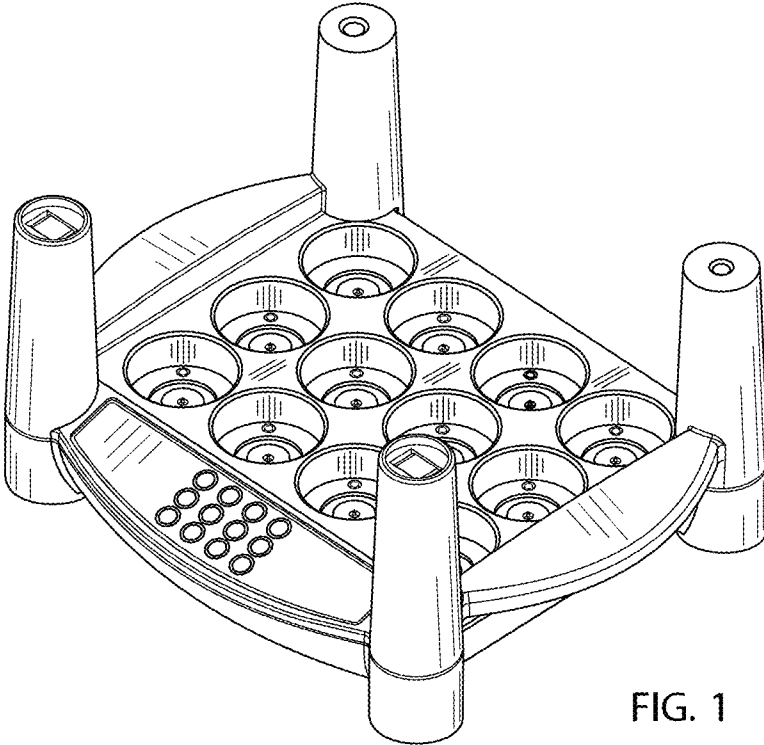


FIG. 1

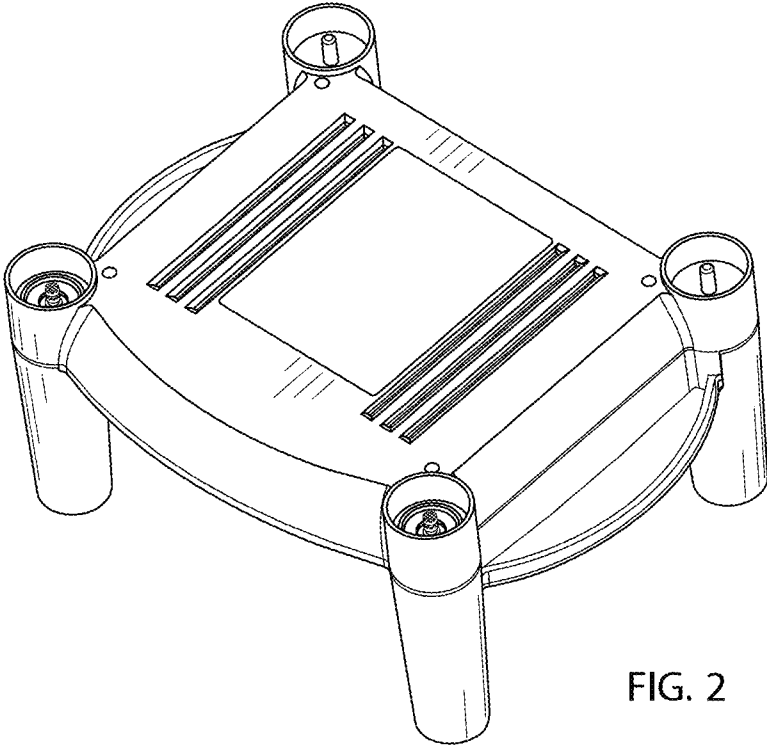


FIG. 2