



US00D486285S

(12) **United States Design Patent** (10) **Patent No.:** **US D486,285 S**
Kuo (45) **Date of Patent:** **** Feb. 3, 2004**

(54) **RECEPTACLE**
(75) Inventor: **Chen-Hung Kuo**, Tainan Hsien (TW)
(73) Assignee: **Sincere & Well Industrial Co., Ltd.**,
Tainan Hsien (TW)
(**) Term: **14 Years**
(21) Appl. No.: **29/175,001**
(22) Filed: **Jan. 29, 2003**
(51) **LOC (7) Cl.** **09-09**
(52) **U.S. Cl.** **D34/9**
(58) **Field of Search** D34/1, 7, 9, 10,
D34/8, 11; 220/908-911, 262, 263, 264

5,170,904 A * 12/1992 Neuhaus 220/262
5,295,607 A * 3/1994 Chang 220/495.07
5,881,896 A * 3/1999 Presnell et al. 220/252
5,957,319 A * 9/1999 Shane da Costa 220/495.06
D476,460 S * 6/2003 Lin D34/9

* cited by examiner

Primary Examiner—Cynthia E. Ramirez
(74) *Attorney, Agent, or Firm*—Rosenberg, Klein & Lee

(57) **CLAIM**

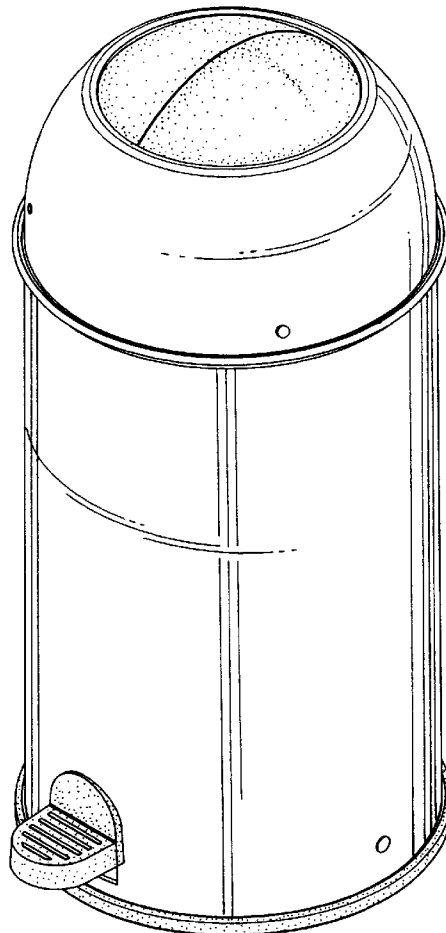
The ornamental design for a receptacle, as shown and described.

DESCRIPTION

FIG. 1 is a perspective view of a receptacle showing my new design;
FIG. 2 is a front elevational view thereof;
FIG. 3 is a rear elevational view thereof;
FIG. 4 is a left side elevational view thereof;
FIG. 5 is a right side elevational view thereof;
FIG. 6 is a top plan view thereof; and,
FIG. 7 is a bottom plan view thereof.

(56) **References Cited**
U.S. PATENT DOCUMENTS
329,026 A * 10/1885 Vergne, Jr. 222/111
1,333,051 A * 3/1920 Young 220/252
2,063,507 A * 12/1936 Karper 220/263
2,246,975 A * 6/1941 Geibel 220/23.87
D241,499 S * 9/1976 Raftery D34/9

1 Claim, 4 Drawing Sheets



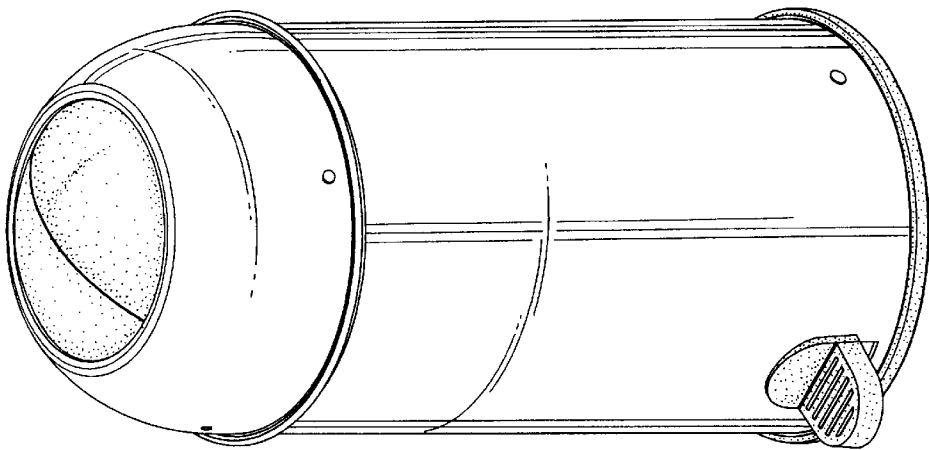


FIG. 1

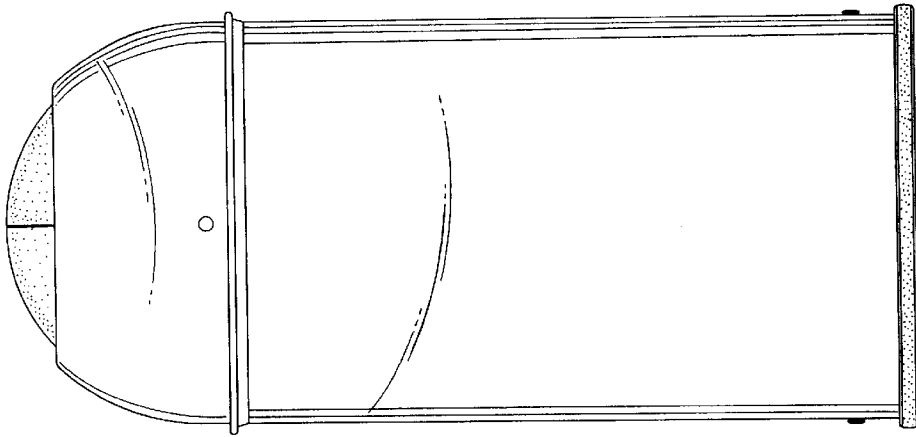


FIG. 2

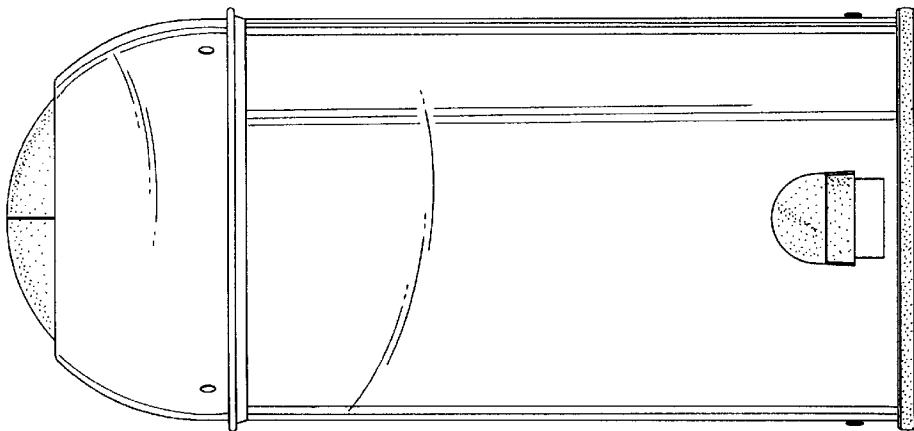


FIG. 3

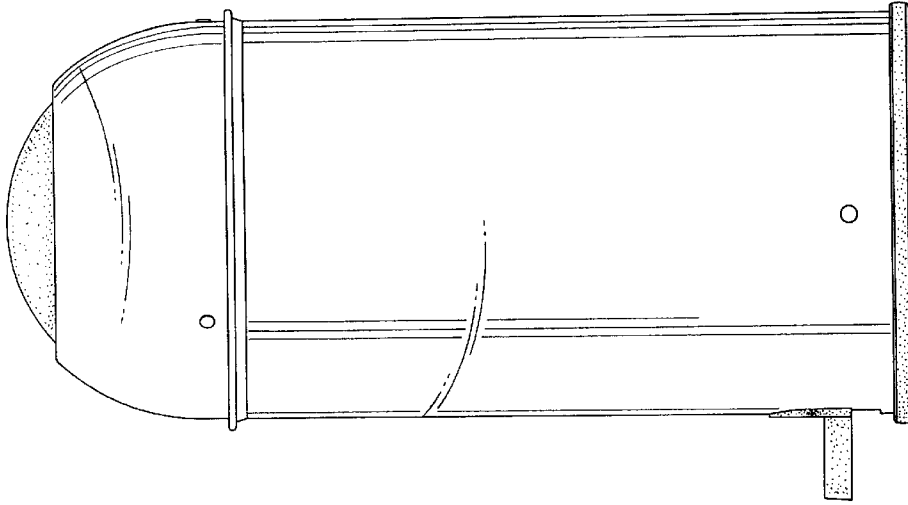


FIG. 5

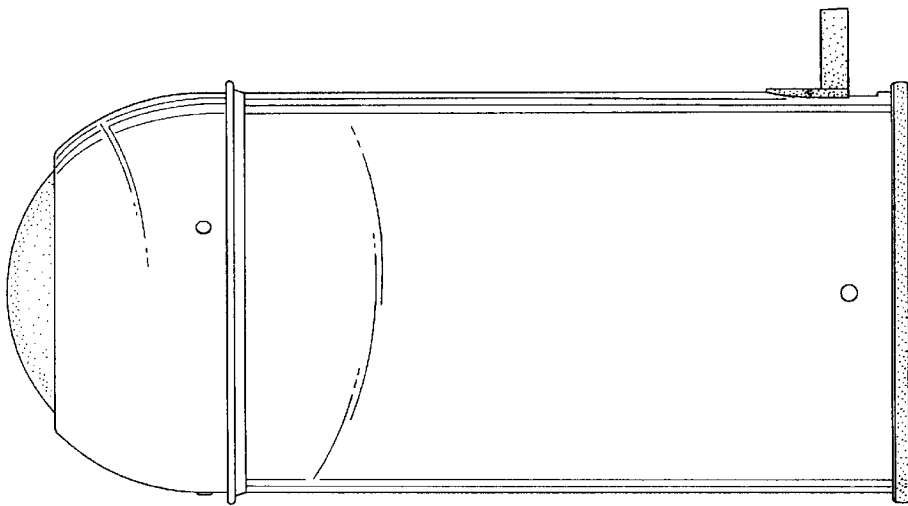


FIG. 4

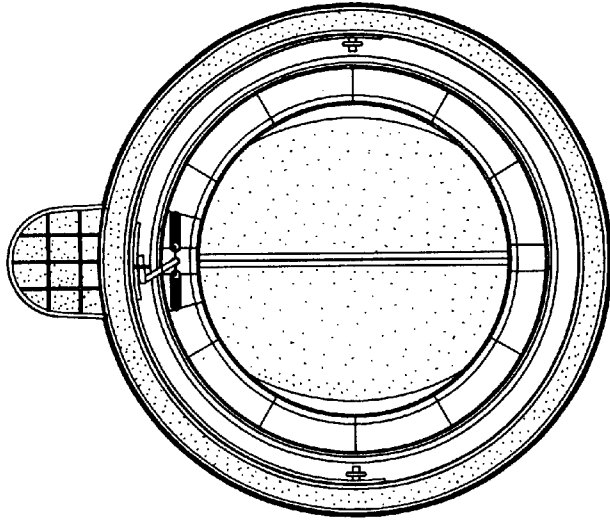


FIG. 6

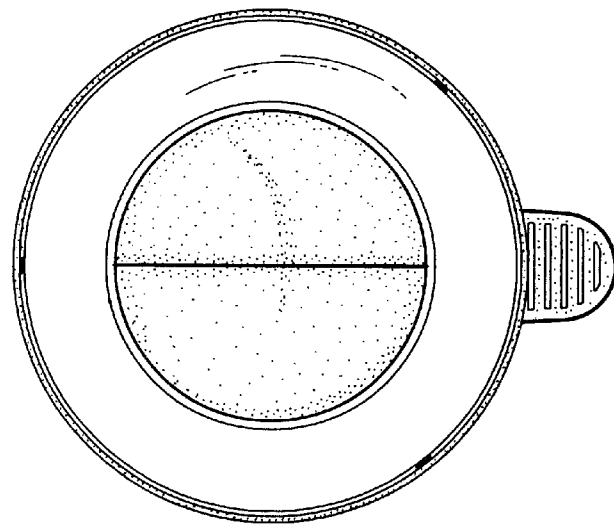


FIG. 7