



US00D348370S

United States Patent [19]

[11] Patent Number: Des. 348,370

Yarnmunilert

[45] Date of Patent: ** Jul. 5, 1994

[54] PASTE SQUEEZER

4,316,556 2/1982 Ferrari 222/95
5,071,036 12/1991 Kelly et al. 222/103

[76] Inventor: Udom Yarnmunilert, c/o Mr. Manit Harnvanich, 1435 W. Bonita La., Mount Prospect, Ill. 60056

Primary Examiner—Brian N. Vinson
Attorney, Agent, or Firm—Banner, Birch, McKie & Beckett

[**] Term: 14 Years

[57] CLAIM

[21] Appl. No.: 3,629

The ornamental design for a paste squeezer, as shown and described.

[22] Filed: Jan. 11, 1993

[52] U.S. Cl. D6/541

[58] Field of Search D6/541; 206/277; 222/95, 96, 98-99, 101, 103; D32/61

DESCRIPTION

[56] References Cited

U.S. PATENT DOCUMENTS

- D. 119,933 4/1940 Linn D32/61
- D. 204,050 3/1966 Scott D6/541
- D. 292,071 9/1987 Weir D6/541 X
- D. 313,914 1/1991 Tribbey D6/541
- D. 341,050 11/1993 Waffensmith D6/541

FIG. 1 is a top front perspective view of a paste squeezer showing my new design in a closed position; FIG. 2 is a top plan view thereof; FIG. 3 is a bottom plan view thereof; FIG. 4 is a right side elevational view thereof; FIG. 5 is a left side elevational view thereof; FIG. 6 is a front elevational view thereof; FIG. 7 is a rear elevational view thereof; and, FIG. 8 is a top front perspective view thereof, in an open position.

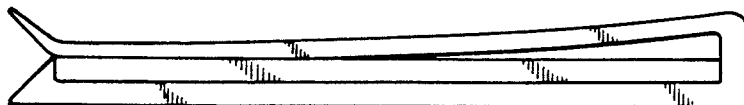
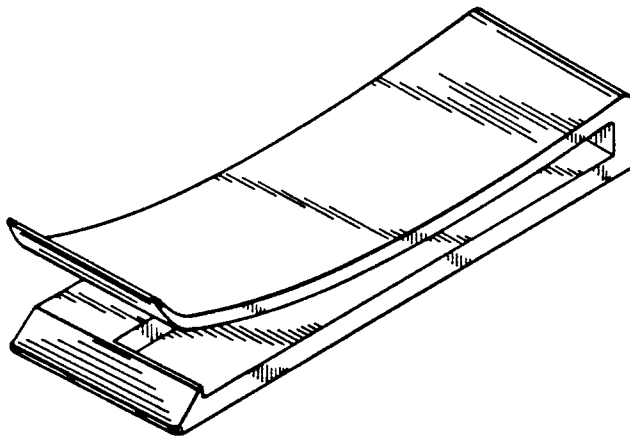
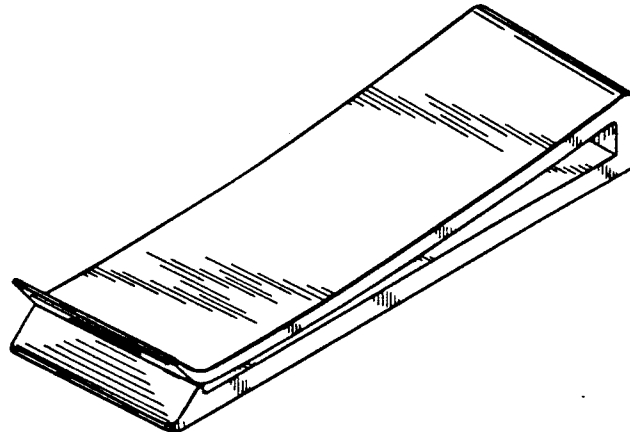


FIG. 1

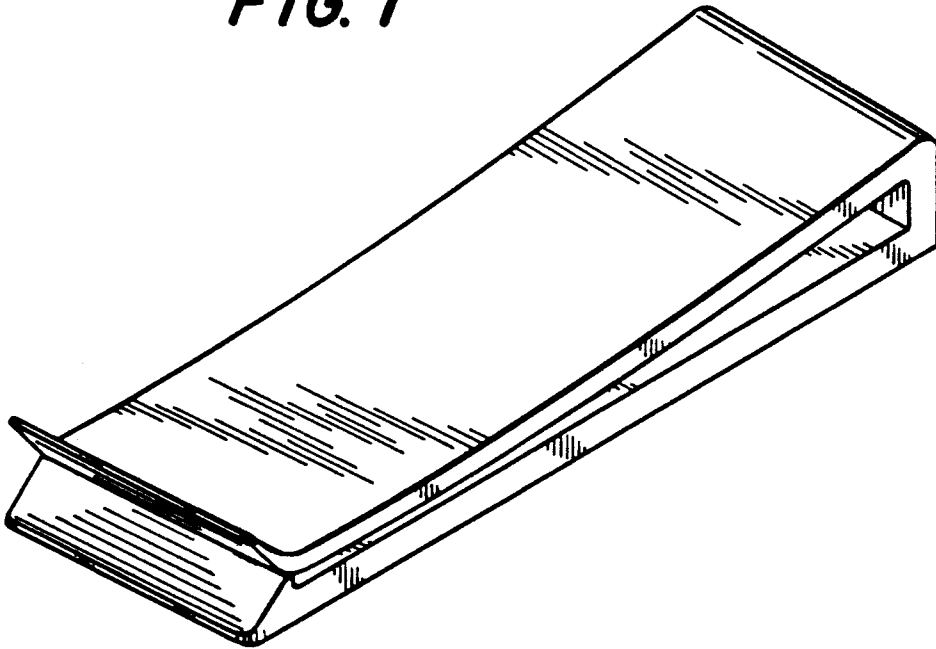


FIG. 8

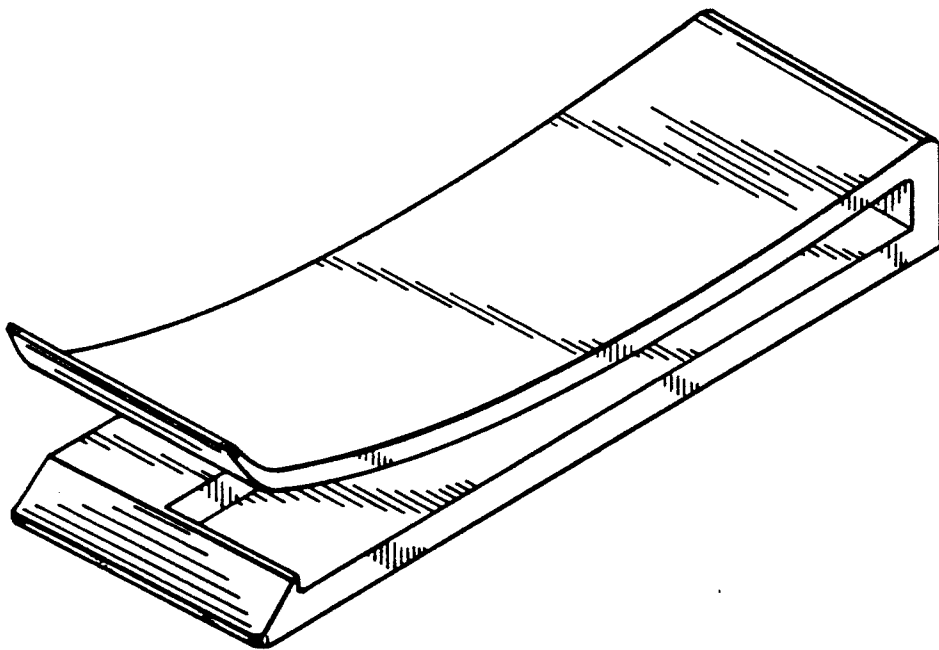


FIG. 2

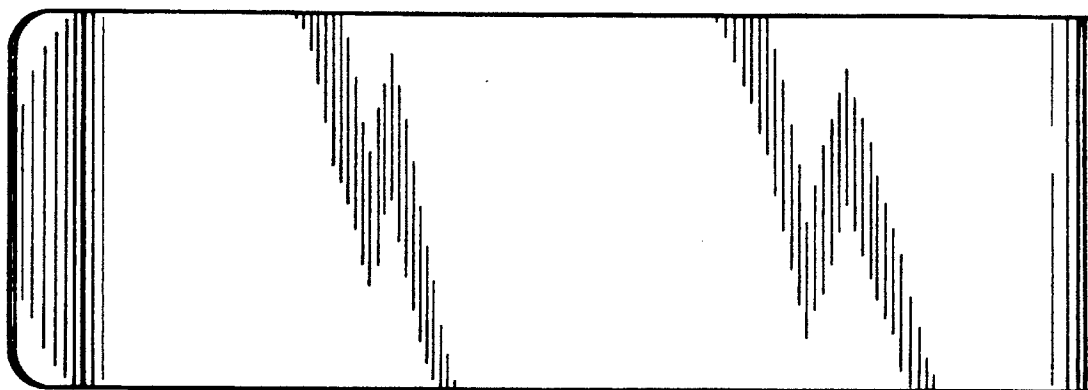


FIG. 3

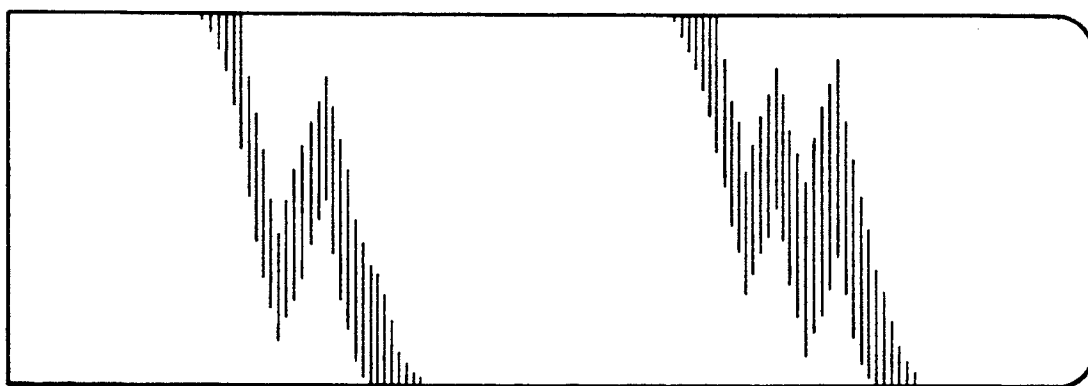


FIG. 4

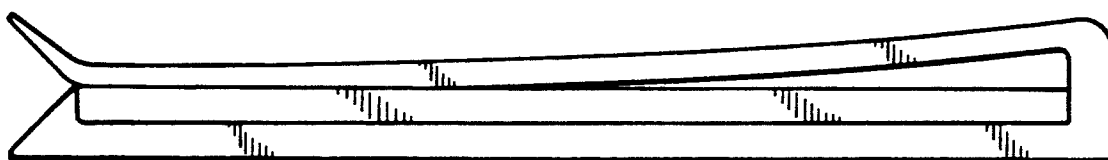


FIG. 5

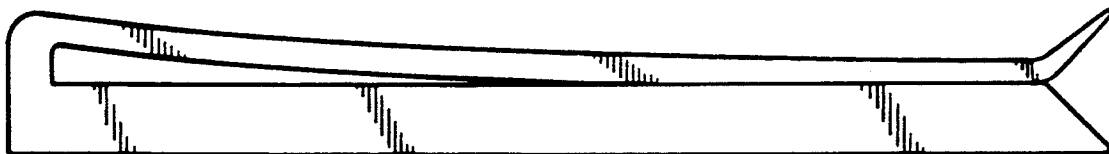


FIG. 6



FIG. 7

