



US00D547745S

(12) **United States Design Patent**  
**Cheung**

(10) **Patent No.:** **US D547,745 S**

(45) **Date of Patent:** **\*\* Jul. 31, 2007**

(54) **PORTABLE CD RADIO**

(76) **Inventor:** **Wallace Cheung**, Kenwin Industrial  
HK Ltd., Rm 1512, 15/F, Shatin  
Galleria, 18-24 Shan Mei St., Fotan,  
N.T., Hong Kong (HK)

(\*\*) **Term:** **14 Years**

(21) **Appl. No.:** **29/192,177**

(22) **Filed:** **Oct. 20, 2003**

(51) **LOC (8) Cl.** ..... **14-01**

(52) **U.S. Cl.** ..... **D14/168**

(58) **Field of Classification Search** ..... D14/156,  
D14/160-165, 167-168, 193-198, 188, 217,  
D14/445; 360/99.02, 99.07, 75.11, 75.21,  
360/77.21; 720/612, 619, 647, 655; 455/344,  
455/347-351; 369/77.11

See application file for complete search history.

(56) **References Cited**

**U.S. PATENT DOCUMENTS**

D358,593 S \* 5/1995 Oba ..... D14/168

D406,843 S \* 3/1999 Zeitman ..... D14/162  
D451,487 S \* 12/2001 Ng ..... D14/156  
D464,637 S \* 10/2002 Ng ..... D14/168  
D467,570 S \* 12/2002 Kulkarni ..... D14/168

\* cited by examiner

*Primary Examiner*—Nanda Bondade

(74) *Attorney, Agent, or Firm*—Eric Hanscom

(57) **CLAIM**

The ornamental design for a portable CD radio, as shown.

**DESCRIPTION**

FIG. 1 is a front perspective view of a portable CD radio showing my new design;

FIG. 2 is a front view thereof;

FIG. 3 is a bottom view thereof;

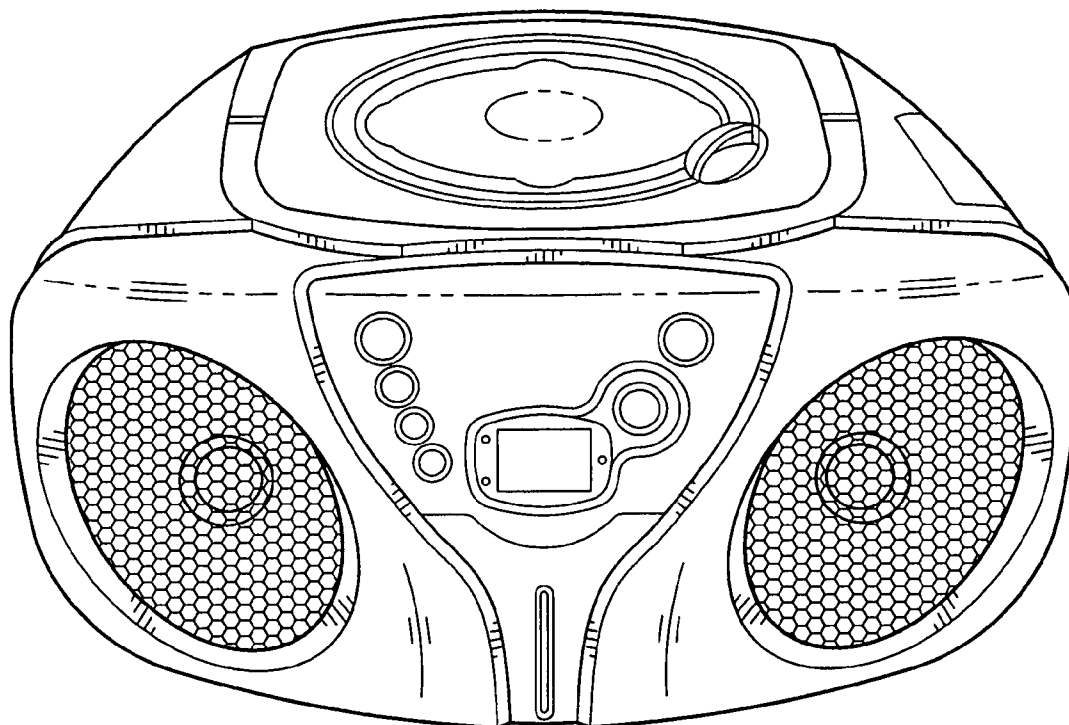
FIG. 4 is a right side view thereof;

FIG. 5 is a left side view thereof;

FIG. 6 is a back view thereof; and,

FIG. 7 is a top view thereof.

**1 Claim, 4 Drawing Sheets**



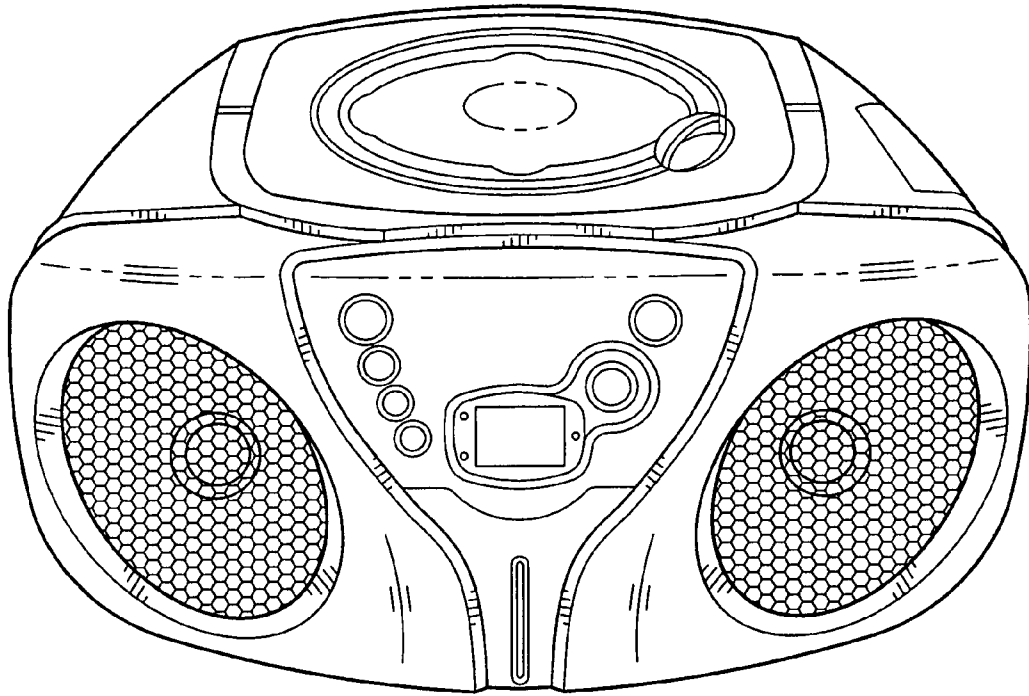


FIG. 1

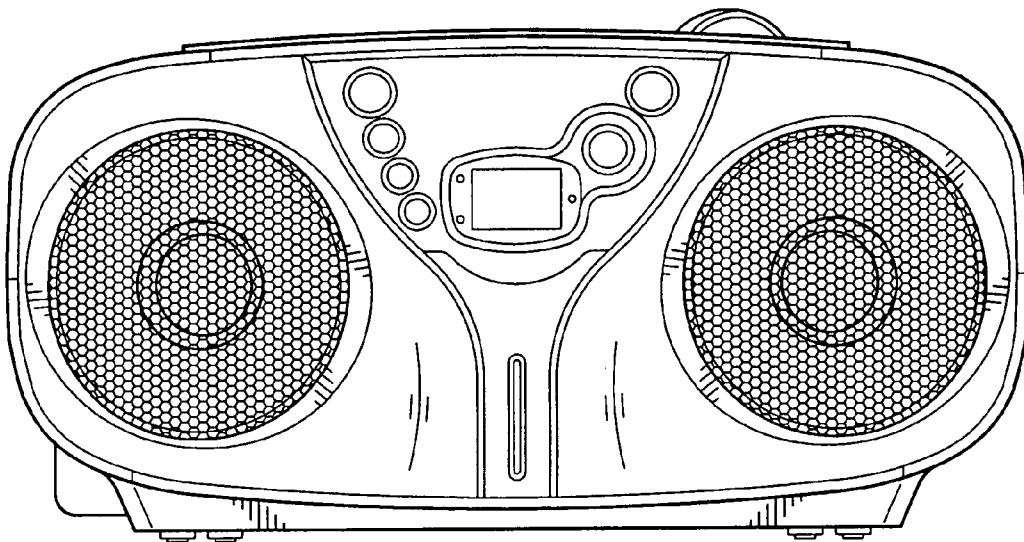


FIG. 2

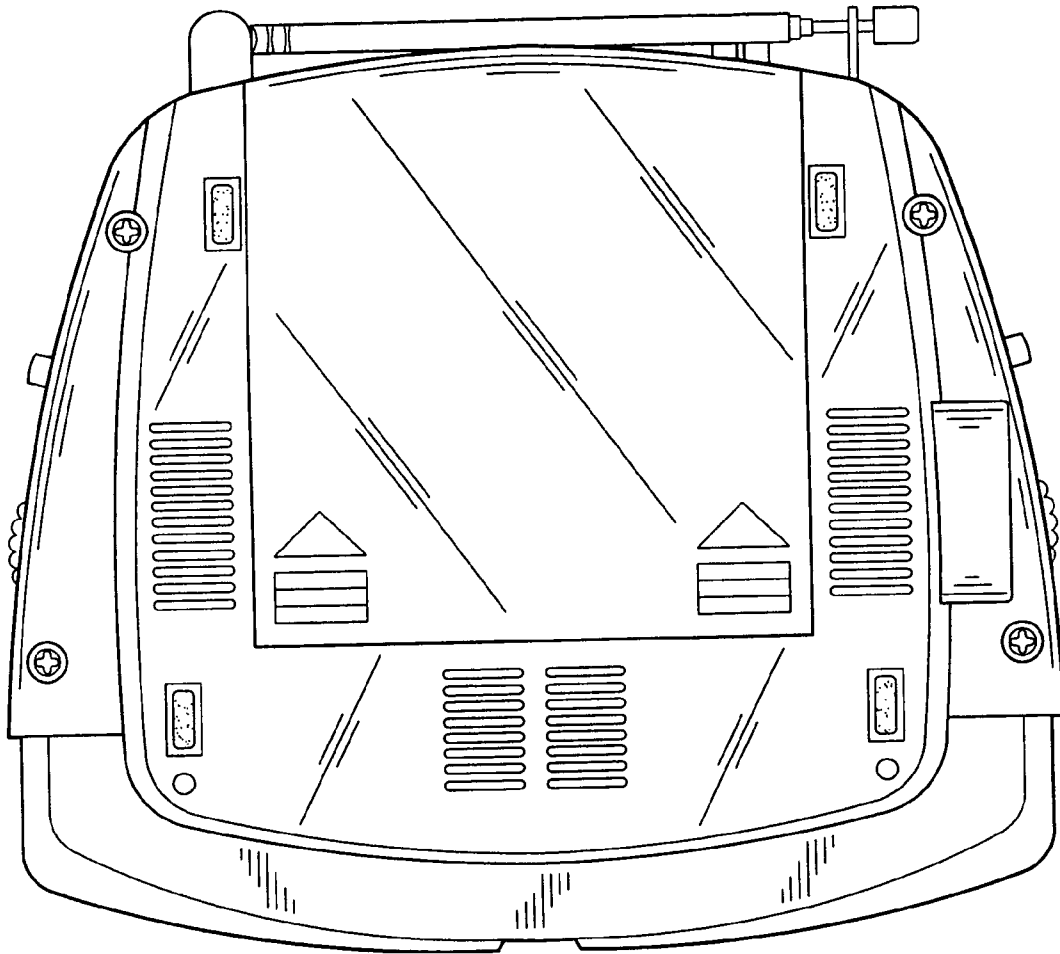


FIG. 3

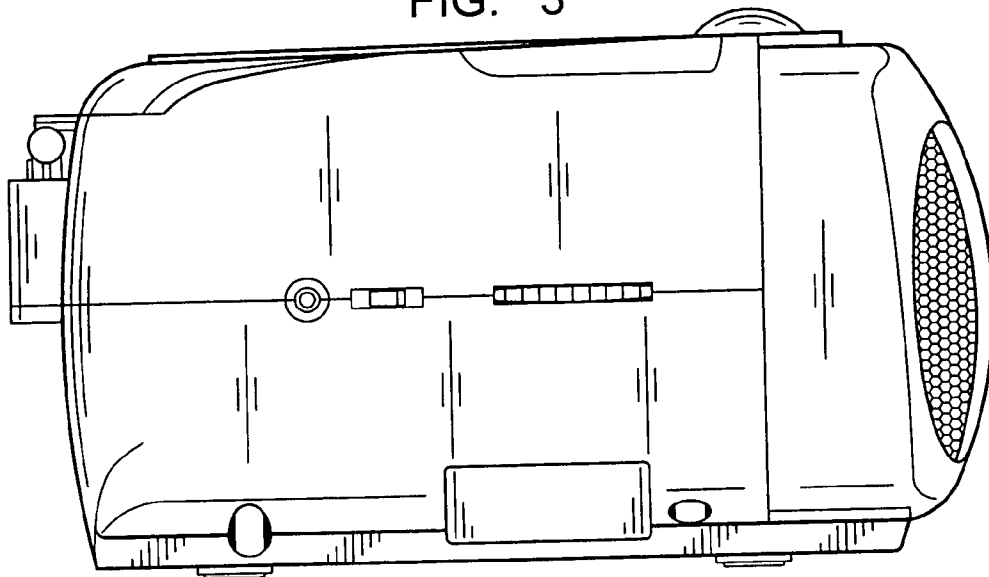


FIG. 4

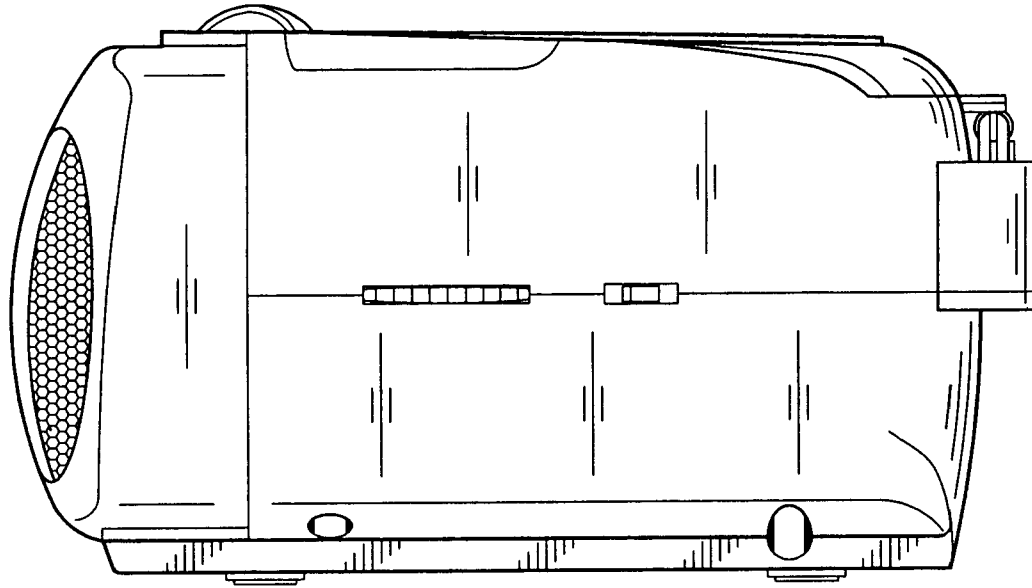


FIG. 5

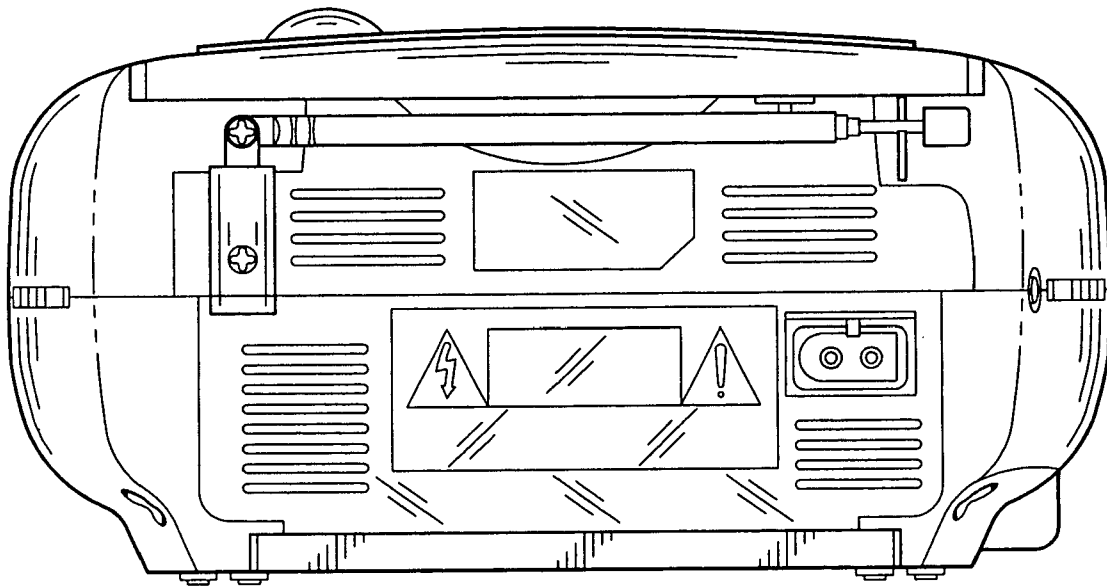


FIG. 6

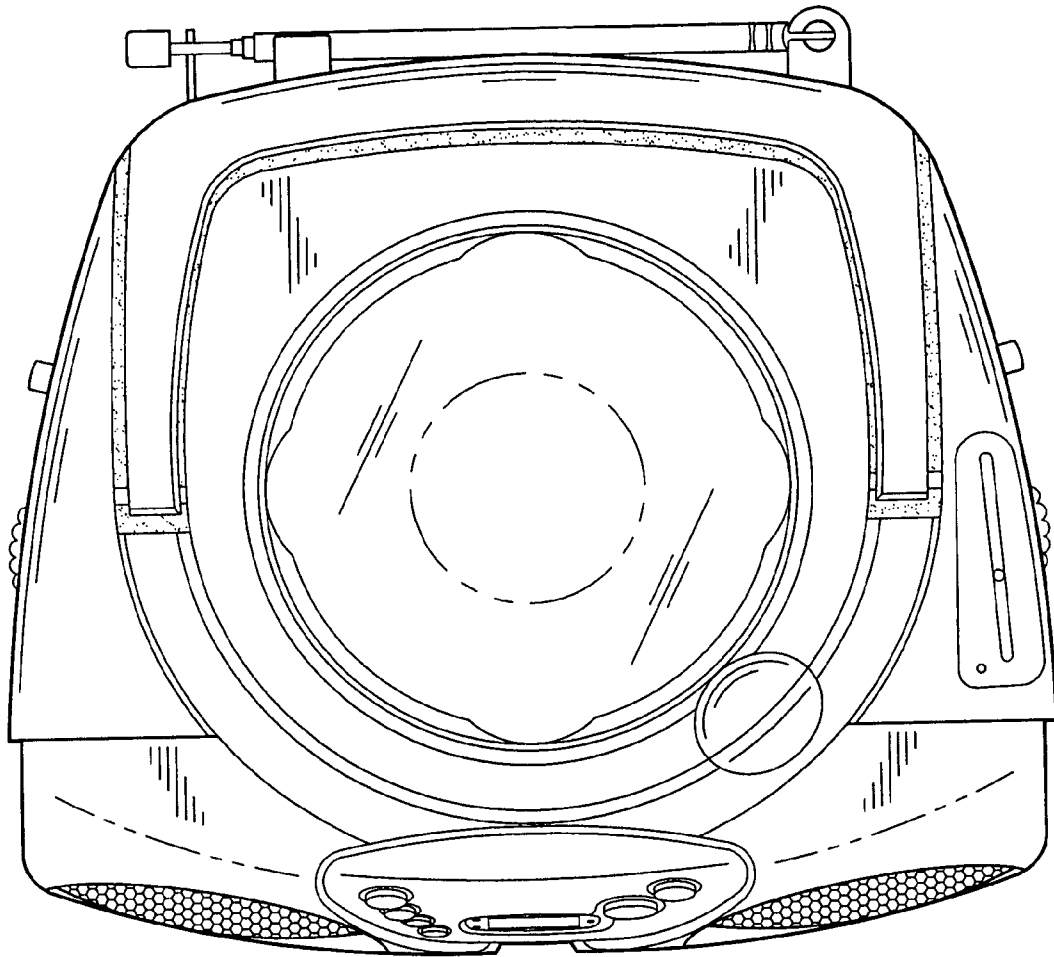


FIG. 7