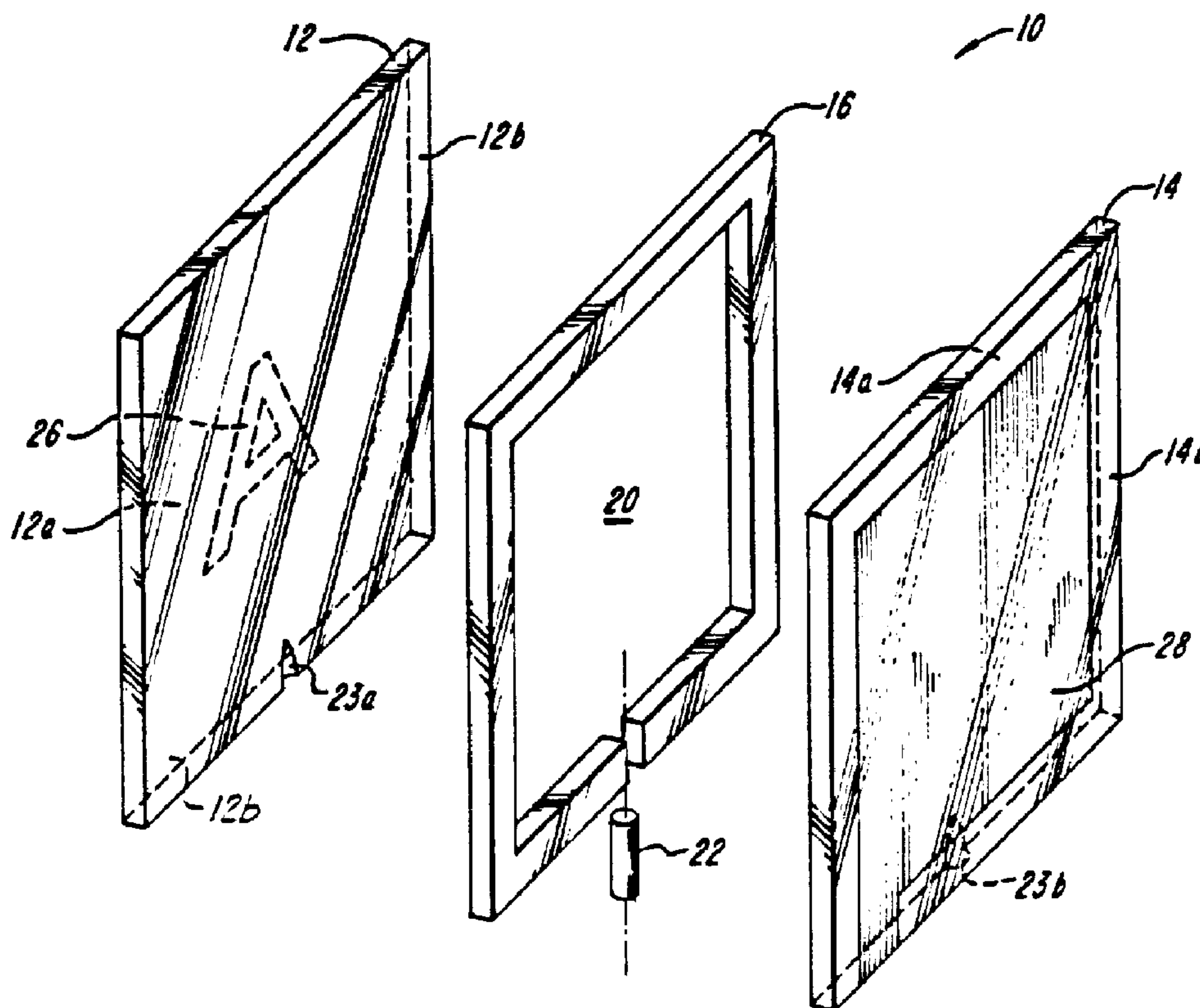




(86) Date de dépôt PCT/PCT Filing Date: 1990/12/10  
 (87) Date publication PCT/PCT Publication Date: 1991/06/27  
 (45) Date de délivrance/Issue Date: 2002/08/20  
 (85) Entrée phase nationale/National Entry: 1992/06/11  
 (86) N° demande PCT/PCT Application No.: US 1990/007281  
 (87) N° publication PCT/PCT Publication No.: 1991/009414  
 (30) Priorité/Priority: 1989/12/11 (448,693) US

(51) Cl.Int.<sup>5</sup>/Int.Cl.<sup>5</sup> H01J 61/30  
 (72) Inventeur/Inventor:  
Parker, William P., US  
 (73) Propriétaire/Owner:  
Parker, William P., US  
 (74) Agent: RICHES, MCKENZIE & HERBERT LLP

(54) Titre : DISPOSITIF D'AFFICHAGE A PANNEAU LUMINEUX  
 (54) Title: LUMINOUS PANEL DISPLAY DEVICE



(57) Abrégé/Abstract:

A gas discharge display apparatus in the form of an electroluminescent gas filled panel adapted for quickly and inexpensively making a durable and robust luminous sign using image patterns transferred to the panel by painting, silkscreening, stencilling, lithography, or the like. The apparatus generally includes a pair of substantially parallel spaced apart rigid plates, or sheets, enclosing an electroluminescent gas, and having variously located and kinds of conductive elements, such as surface coatings, used as electrodes for energizing the enclosed electroluminescent gas.

ABSTRACT

A gas discharge display apparatus in the form of an electroluminescent gas filled panel  
5 adapted for quickly and inexpensively making a durable and robust luminous sign using image patterns transferred to the panel by painting, silkscreening, stencilling, lithography, or the like. The apparatus generally includes a pair of substantially parallel  
10 spaced apart rigid plates, or sheets, enclosing an electroluminescent gas, and having variously located and kinds of conductive elements, such as surface coatings, used as electrodes for energizing the enclosed electroluminescent gas.

LUMINOUS PANEL DISPLAY DEVICE5 BACKGROUND OF THE DISCLOSURE

The invention is in the field of luminous displays and signs, and more particularly relates to gas plasma display devices.

10

The production of light by the passage of electricity through gases is a well known phenomenon. Devices utilizing this phenomenon have been widely developed in the form of plasma display  
15 devices which display specific numerals, characters, symbols, graphics, and the like. The neon sign is an example of a gas discharge display device, typically including an elongated glass tube filled with neon and a pair of excitation electrodes disposed at  
20 opposite ends of the tube. In this example, the rigid tube, or envelope, defines the shape of the illumination pattern. This shape is established at the time of manufacture, and cannot be changed.

25 Other prior art gas discharge display devices may include a plurality of shaped character electrodes in direct or close contact with an electroluminescent gas within a glass envelope, for example, Nixie tubes. In such devices, selected ones  
30 of the shaped electrodes may be energized to obtain a desired character display. Again, the shape of the illumination is predetermined by the shape of the electrode which is established at the time of manufacture of the device.

Still other forms of prior art gas discharge display devices include dielectric-bounded, gas-filled character-shaped channels within an envelope, with a suitable set of energizing electrodes. As in U.S. Patent No. 3,621,332, a plurality of such channels may be established within a single envelope, with electrodes being arranged for selective activation of one channel at a time. Alternatively, as in U.S. Patent No. 4,584,501, a single elongated channel may be formed in one plate of a two glass plate sandwich arrangement, with energizing channels in an adjacent plate. All of these arrangements are suitable for displaying indicia, but as with the earlier discussed prior art, the shape of the display, i.e. the channel configuration, is determined at the time of manufacture of the device.

Yet other prior art gas discharge devices include generally similar display configurations, but have an addressable matrix in which selected dot regions may be selectively energized. For example, as shown in U.S. Patent No. 4,035,690, selected ones of overlapping orthongal sets of electrodes may be energized to generate a desired dot matrix character. In that patent, the electroluminescent gas is confined to the interior of a plurality of dielectric spheres disposed between the sets of electrodes. With the dot addressible matrix, substantial flexibility is provided in that any dot pattern graphics may be displayed, for example using conventional bit-mapped graphics techniques. However, as with the other above mentioned prior art,

all possible display patterns, i.e. the electrode overlap regions, are established at the time of manufacture of the device.

5            Yet another form of prior art gas discharge device is disclosed in U.S. Patent No. 3,629,654. As shown in that patent, a pair of opposed, spaced apart plates are mutually sealed at their perimeter to establish an electroluminescent gas filled cell. A  
10 transparent conductive coating is disposed on one outer surface of the cell. A movable external sheet having predetermined shaped conductive regions is pressed against the other outer surface of the cell and an ionizing signal is applied across the  
15 conductive coating and the conductive region of the external sheet to generate a visible discharge in the cell having the shape of the conductive regions of the external sheet. This two-element display thus requires a means for positioning the external sheet  
20 relative to the cell in order to establish an image.

It is an object of the present invention to provide an improved plasma display device.

25            Another object is to provide an improved plasma display device which may be user-programmed for the display of a desired image.

30            Yet another object is to provide an improved plasma display which may be economically and efficiently configured to display a desired image.

SUMMARY OF THE INVENTION

Briefly, the present invention is an electroluminescent gas filled double walled panel with the provision for electrode surfaces on both sides of the gas space, which will allow for a luminous gas (or plasma) discharge to be generated when suitably energized. The electrode surfaces may be indicia-(or other graphic image-)shaped, thus producing a like shaped pattern of light of sufficient visibility to be useful as a sign, indicator or other expression of visible information.

The pattern of at least one of the electrode surfaces may be provided by a secondary manufacturer, for example, a user, through the means of painting, stencilling, silkscreening, lithography or the like. By so providing the latter electrode surfaces, the inherent difficulties and costs of producing signage (for example, using a heat-bent gas discharge tube of conventional neon tube signs) are overcome, while still producing a luminous gas image. Thus, even a small signage producing enterprise, or home user, may readily utilize the display device of the present invention to display a user desired image.

Additionally, the display panel of the present invention is far more robust, durable and safe than its bent tube neon sign counterpart. In some configurations, the display device has transparent electrodes on both sides of the gas space, making the display device usable as a window or glass door simultaneously with its carrying images or information.

The display panel may also find general usage in the architectural and outdoor illumination field, much as its bent tube neon sign counterpart does currently. Similarly, much as artists and designers use light filled tubes as components of graphic and sculptural statements, the light producing display devices of the invention may be used, with or without patterns to the illuminosity, as an artistic and design medium.

10

More particularly, in accordance with the invention, a display device includes first and second non-conductive sheet members, each having front and back surfaces, which may be substantially parallel. At least one of the first and second sheet members is transparent.

In a preferred form, the sheet members are rigid and substantially planar, but alternative configurations could be employed, such as similar cylindrical or spherical configurations, or non-rigid configurations. By way of example, the sheet members may be planar sheets of glass. The first sheet member may be substantially transparent and has a coating region on its front surface adapted to receive a first conductive coating (a "pattern electrode") on portions thereof. Typically, this first conductive coating represents the image to be displayed. The first conductive coating may be removable in part to correspond to a modified form of the image. The second sheet member may also be transparent. The first conductive coating may be applied by painting, stencilling, silkscreening, lithography, or the like.

One or more spacer elements mutually position the first and second sheet members so that the back surface of the first sheet member is offset from and opposite the front surface of the second sheet member.

A discharge chamber is established by a gas impervious seal between portions of the back surface of the first sheet member and the front surface of the second sheet member. The discharge chamber defines a closed region in the gap between the back surface of the first sheet member and the front surface of the second sheet member. That closed region underlies at least in part the first conductive coating.

An electroluminescent gas is disposed within the closed region. While other gas mixtures may be used, in the preferred form the electroluminescent gas is a Penning gas mixture comprised substantially of 99% neon, 1% argon, and trace amounts (less than 0.1%) of mercury at a pressure of about 120 torr.

In one form of the invention, a second conductive coating (i.e. a conductive element or "charging electrode") is disposed on a portion of one of the front and back surfaces of the second sheet member underlying at least in part the closed region and a part of the coating region. In other forms, the charging electrode may not underlie the first conductive coating, while still being on one of the front and back surfaces of, or within, or adjacent to the second sheet member. By way of example, the charging electrode may be a wire (e.g. extending at

least partially through the closed region, or embedded in the second sheet member), or it may have the form of a conductive portion of the seal which establishes the chamber.

5

An applied drive voltage may be coupled between the first conductive coating and the charging electrode to energize the device so that a luminous plasma image is established in the portions of the closed region adjacent to the first conductive coating.

In one form of the invention, the spacer includes at least one rigid spacer member disposed within the closed region and extending between the back surface of the first sheet member and the front surface of the second sheet member.

In various embodiments, either or both of the first and second conductive coatings may be substantially translucent, transparent, reflective or opaque. Further, the conductive coating forming the charging electrode may be disposed on the front surface of the second sheet member and at least in part within the closed region. Alternatively, the second conductive coating may be disposed on the back surface of the second sheet member and at least in part overlying the closed region. A third non-conductive sheet member may overlie the second conductive coating opposite the back surface of the second sheet member. A fourth non-conductive sheet member may overlie the first conductive coating. The latter non-conductive sheets may be used to ensure that a user does not contact the electrodes during

use. Further, those added sheets provide increased resistance to breakage of the device as a whole. Also, those sheets, when laminated to the first and second sheets, provide increased stiffness of the chamber-  
5 defining walls so that relatively thin sheets may be used for the first and second sheet members, using relatively inexpensive (e.g. polycarbonate) material to form the third and/or fourth sheet members.

10           Various forms of the invention may be adapted to minimize radio frequency interference (RFI) by using shielded configurations, for example where a grounded, conductive element is disposed over the charging electrode. Dual back-to-back displays may be used where  
15 an opaque element is disposed between the illuminated regions, so that independent images may be established in those regions for viewing from opposite sides of the display device.

20           Accordingly, in one aspect, this invention provides a luminous panel display device comprising:

A. a first non-conductive sheet member having front and back surfaces, said first sheet member having a coating region on portions of its front surface, said  
25 coating region being adapted to receive a first conductive coating representative of a predetermined image;

B. a second non-conductive sheet member having front and back surfaces, wherein at least one of  
30 said first and second sheet members is transparent;

C. spacer means for mutually positioning said first and second sheet members whereby the back surface

-8a-

of said first sheet member is offset by a predetermined separation from and opposite the front surface of said second sheet member;

D. discharge chamber means for establishing a  
5 gas impervious seal between portions of the back surface of said first sheet member and the front surface of said second sheet member to define a closed region in the gap between said back surface of said first sheet member and the front surface of said second sheet member and  
10 underlying said coating region;

E. electroluminescent gas disposed within said closed region; and

F. a conductive element disposed on a portion of one of the front and back surfaces of, or within, or  
15 adjacent to, said second sheet member, wherein said conductive element is a wire positioned on the surface of or within said second sheet member.

In a further aspect, this invention provides a  
20 luminous panel display device comprising:

A. a first non-conductive sheet member having front and back surfaces, said first sheet member having a coating region on portions of its front surface, said coating region being adapted to receive a first  
25 conductive coating representative of a predetermined image;

B. a second non-conductive sheet member having front and back surfaces, wherein at least one of said first and second sheet members is transparent;

30 C. spacer means for mutually positioning said first and second sheet members whereby the back surface of said first sheet member is offset by a predetermined

-8b-

separation from and opposite the front surface of said second sheet member;

D. discharge chamber means for establishing a gas impervious seal between portions of the back surface of said first sheet member and the front surface of said second sheet member to define a closed region in the gap between said back surface of said first sheet member and the front surface of said second sheet member and underlying said coating region;

10 E. electroluminescent gas disposed within said closed region; and

F. a conductive element disposed on a portion of one of the front and back surfaces of, or within, or adjacent to, said second sheet member, wherein said 15 conductive element is a wire extending at least partially through said closed region.

In a still further aspect, this invention provides a luminous panel display device comprising:

20 A. a first non-conductive sheet member having front and back surfaces, said first sheet member having a coating region on portions of its front surface, said coating region being adapted to receive a first conductive coating representative of a predetermined 25 image;

B. a second non-conductive sheet member having front and back surfaces, wherein at least one of said first and second sheet members is transparent;

C. spacer means for mutually positioning said 30 first and second sheet members whereby the back surface of said first sheet member is offset by a predetermined

-8c-

separation from and opposite the front surface of said second sheet member;

D. discharge chamber means for establishing a gas impervious seal between portions of the back surface of said first sheet member and the front surface of said second sheet member to define a closed region in the gap between said back surface of said first sheet member and the front surface of said second sheet member and underlying said coating region;

10 E. electroluminescent gas disposed within said closed region; and

F. a conductive element disposed on a portion of one of the front and back surfaces of, or within, or adjacent to, said second sheet member, wherein said 15 conductive element extends at least partially around the periphery of said closed region, and wherein said conductive element is integral with said spacer means.

In a further aspect, the present invention 20 provides a luminous panel display device comprising:

A. a first non-conductive sheet member having front and back surfaces, said first sheet member having a coating region on portions of its front surface, said coating region being adapted to receive a first 25 conductive coating representative of a predetermined image;

B. a second non-conductive sheet member having front and back surfaces, wherein at least one of said first and second sheet members is transparent;

30 C. spacer means for mutually positioning said first and second sheet members whereby the back surface of said first sheet member is offset by a predetermined

-8d-

separation from and opposite the front surface of said second sheet member;

D. discharge chamber means for establishing a gas impervious seal between portions of the back surface  
5 of said first sheet member, and the front surface of said second sheet member to define a closed region in the gap between said back surface of said first sheet member and the front surface of said second sheet member and underlying said coating region;

10 E. electroluminescent gas disposed within said closed region; and characterized in that: a conductive element is disposed embedded within said second sheet member in the form of a wire, wire grid or woven wire mesh or is disposed adjacent to said second  
15 sheet member but not underlying said coating region.

#### BRIEF DESCRIPTION OF THE DRAWINGS

The foregoing and other objects of this  
20 invention, the various features thereof, as well as the invention itself, may be more fully understood from the following description, when read together with the accompanying drawings in which:

25 Fig. 1 shows in exploded form, a display device according to the present invention;

Fig. 1A shows, in section, the portion of the display device of FIG. 1 including the filling stem;

30

Fig. 1B shows in exploded form, another embodiment of the present invention;

Fig. 2 shows in exploded form, an alternative display device configuration;

Figs. 2A-2D show in perspective view 5 variations of the display device shown in Fig. 1;

Fig. 3 shows in perspective view, a plasma display device having a plurality of internal spacers;

10 Fig. 4 shows in section along lines 4-4, the plasma display device of Fig. 3;

Fig. 5 shows a perspective view of an alternative spacer for use with the device of Figs. 3  
15 and 4;

Figs. 6-9 show sectional views of alternative spacers for use with the device of Figs. 3 and 4;

20

Fig. 10 shows in exploded form, an alternative configuration for a plasma display device of the present invention; and

25 Figs. 11 and 12 show perspective views of one edge of dual display devices embodying the invention.

DESCRIPTION OF THE PREFERRED EMBODIMENT

An exemplary luminous (plasma) panel display device 10 is shown in Fig. 1 in exploded form. The device 10 includes two flat and parallel non-conducting, transparent glass sheet members 12 and 14 having "front" surfaces 12a and 14a, respectively, and "rear" surfaces 14a and 14b, respectively. As shown, sheet members 12 and 14 are substantially planar, but other forms might also be used, such as cylindrical or conical.

An edge seal and spacer element 16 defines an enclosed hermetic volume (or region) 20 having an electroluminescent gas therein. Overlapping conductive coatings 26 and 28 are disposed on the front surface 12a of sheet member 12 and on the rear surface of 14b of sheet member 14, respectively. In alternative embodiments, a conductive element that generally corresponds to coating 28 may be used, where that element may not overlap any portion of a conductive coating corresponding to coating 26 (for example, as described below in conjunction with Figs. 2A-2D), and where that element may not be a coating (for example, as described below in conjunction with Figs. 2B-2D).

In the embodiment of Fig. 1, a filling stem 22, extending parallel to the principal plane of volume 20, passes between opposing portions of sheet members 12 and 14 and through spacer member 16 to provide access to chamber volume 20. The outer diameter of filling stem 22 is less than or equal to the distance between the front surface 12a and the

back surface 14b. This filling stem 22 permits evacuation and back-filling of the volume 20 following assembly of sheet members 12, 14 and seal/spacer element 16. After back-filling is 5 accomplished, the stem 22 is sealed off. In alternative embodiments, different filling stem configurations may be used. For example, the stem may be placed through a hole drilled through sheet member 12 and fused to the edges of that hole, with 10 the central axis of the stem extending perpendicular to the principal plane of volume 20.

In the preferred embodiment, the sheet members 12 and 14 are non-conductive soda-lime planar 15 glass sheets. The spacer element 16 is also soda-lime glass. The thickness of the sheets is determined to establish (1) a parallel orientation of the two sheets, producing a gas-enclosing space with uniform gap after filling, and (2) total mechanical 20 and thermal stress on the glass sheet members during the assembly and evacuation of the device 10 which does not exceed the properties of the glass, causing breakage. The preferred embodiment has an enclosed volume which is 15 cm by 15 cm, with an intersheet 25 gap in the range 0.25 - 1.0 mm, as established by spacer 16. The soda-lime glass sheet members 12 and 14 are 3.0 mm thick. With larger surface areas, thicker glass sheets may be used, and for smaller areas, thinner glass may be used. For glass with 30 higher resistance to temperature stressing and higher mechanical strength, such as borosilicate glass, the

thickness required for any specific surface area may also be reduced in comparison to the soda-lime glass sheets used in the illustrated embodiment. For example, a 15 cm by 15 cm chamber formed by Pyrex 5 brand borosilicate glass sheets with a 1 mm gap, may have 2.5 mm sheet thickness without overstressing.

The embodiment of Fig. 1 is a three element construction (i.e. sheet members 12, 14 and spacer 10 element 16). Other configurations might also be used, for example, two sheet members in a sandwich configuration where one or both of the adjacent surfaces includes an etched chamber-defining region. In the latter configuration, the peripheral spacer is 15 integral with at least one of the sheet members.

In general, spacing and sealing of the chamber 20 of device 10 is provided by a perimeter seal. Various means of hermetically sealing the 20 sheets 12 and 14 and spacer 16 may be used. For example, vacuum epoxy and conventional sealing glasses are suitable. In the illustrated embodiment, the 15 cm by 15 cm panel 10 uses a 1 mm thick, 1.5 cm wide spacer element 16 which is disposed about the 25 periphery of chamber 20. The sealing is performed with unloaded, 100% solids, Type 360T vacuum epoxy formulated and sold by Epoxy Technology of Waltham, Massachusetts. The epoxy seal is obtained with a 10 minute oven bake at 120 degrees C. With this seal, 30 outgassing is less than  $5 \times 10^{-9}$  cc/sec, giving the panel 10 a life on the order of at least 6 months.

As an alternative to vacuum epoxy, Corning Pyrocera brand sealing glass powder, code 7575, may be used to seal soda-lime sheets 10 and 12 to each other using .25 to 1.0 mm thick glass spacers. With  
5 this method of sealing, the powdered sealing glass is applied as a slurry with a nitrocellulose binder dissolved in a vehicle such as amyl acetate. The binder and vehicle are burned off at 350 degrees C, and the sealing is accomplished at 450 degrees C  
10 during a 60 minute bake. Slow cooling is used to provide a relatively stress free panel with substantially no seal outgassing. Panel life of glass sealed panels is limited by the outgassing of the glass itself and sputtering and gas cleanup, some  
15 of which can be greatly reduced by vacuum baking and the inclusion of sputtering reducing vapors such as Hg into the gas fill.

Regardless of which sealing techniques are used, careful cleaning of all surfaces is performed,  
20 using conventional techniques prior to assembly and sealing of the sheets 12 and 14. For example, a sequence of water and solvent washes with detergents, distilled and deionized water rinses, vapor degreasing and warm air drying are perfectly  
25 performed prior to sealing of the panel 10.

Many gases, gas mixtures and gas pressures may be used in the volume 20 to achieve various colors and intensities of light output using ac drive  
30 voltages in the range of 280 to 1800 volts, from 5 kHz to 10 MHz, using sine and square wave signals and complex waveforms. Generally, the electroluminescent gas in chamber 20 is a mixture of

noble gases with additions of small quantities of secondary gases to create Penning mixes. In the preferred embodiment, a very effective gas fill with maximum intensity of about 100 lumens at a drive  
5 power level of 1.5 watt/cm<sup>2</sup> is a Penning mixture made with 99% neon, 1% argon, and trace amounts (less than 0.1%) of mercury, filled to a pressure of about 120 torr. Nitrogen could be substantial for the argon in this exemplary mix. The color of the light output  
10 from this panel fill is orange-yellow at maximum brightness (using a photo-optically calibrated sensor) but may be varied slightly by changing the frequency and waveform of the driving ac signal, from yellow-orange to orange-red, with a loss in  
15 brightness.

To establish the electroluminescent gas in the enclosed volume 20, the panel 10 is first evacuated through the filling stem 22, as coupled to  
20 a vacuum pump through a gas filling system with the suitable filters, pressure and vacuum gauges and compressed gas regulators and valves. In the present embodiment, as the filling stem 22 is established prior to assembly of sheet members 12 and 14 and  
25 spacer element 16 by first milling matching conical void regions 23a and 23b in opposing portions of the periphery of sheet members 12 and 14, and a hole is cut in the corresponding portion of the spacer element 16. As shown in Fig. 1A, the tubular filling  
30 stem 22 is then placed into and sealed to the channel established by the conical void regions and spacer hole at the time of assembly and sealing of sheet members 12 and 22 and spacer element 16. The interior 22a of stem 22 is contiguous to volume 20.

Thus, the stem 22 is sealed to the panel 10 with a through channel to the interior space (i.e. volume 20) formed by the combination of the sheet members 12 and 14 and the spacer element 16. In the preferred 5 embodiment, filling stem 22 is attached to the device 10 with low vapor pressure epoxy or with sealing glass.

In alternate embodiments, the stem 22 may 10 extend through one of sheet members 12 and 14 in a direction perpendicular to the sheet member. To establish such a filling stem, a small hole is diamond drilled through the sheet member and the stem end is flared and ground flat on the sealing surface 15 prior to attachment. The stem is then attached using sealing glass or epoxy.

The use of conductive coatings 26, 28 on the glass sheets 12, 14 allows the panel 10 to illuminate 20 when attached to a source of driving voltage. There are several ways to configure the conductive coatings, depending on the desired visual and operational properties of the final panel 10. The coatings may be overlapping, as shown in Fig. 1, or 25 non-overlapping, as described below in conjunction with Fig. 2A. The panel 10, as shown in Fig. 1 has two conductive coatings 26 and 28, one attached to each of the outer surfaces of the transparent sheets 12, 14 with the electroluminescent gas located 30 between the sheets and not in contact with either coating. Three basic types of conductive coatings identified by their optical properties may be used; namely, transparent, reflective, and opaque.

Transparent conductive coatings pass light, and have little or no color, thus making the coating invisible to the eye. Examples of this kind of coating are vacuum evaporated or sputtered metal  
5 films, usually gold or aluminum, and indium doped tin oxide films, either sputtered or chemically deposited on the glass sheet. The coating may be applied in a uniform fashion or may be applied as a pattern. Suitable coatings have resistivities on the order .1  
10 to 100 ohms/square, are thermally stable at sealing temperatures and are generally scratch and chemically resistant. Etching the coating into patterns for use in defining the illumination zone of the panel may be done by the use of silkscreened, painted or  
15 stencilled patterns of resist followed by coating removal with chemical (acid or basic) solutions with local or general application, i.e. bath, spray or wipe, or by mechanical means such as abrasion or scraping.

20

Reflective conductive coatings reflect light, or reflects some percentage of the light falling on it, and are generally partially transparent and partially reflective. Examples are  
25 aluminum, chromium, silver or gold coatings with a reflectivity over 10%. The coatings are applied by sputtering, evaporation, chemical deposition or mechanical means, i.e. embossing, and may be applied as patterns or may be uniform and continuous. The  
30 resistivity varies from .01 to 10 ohms/square for the coatings, and they are generally capable of withstanding sealing temperatures and processing. The coating may be patterned for use as a sign or indicator as described above.

35

Opaque conductive coatings do not allow the penetration of light to any significant extent. Such coatings allow the view of the gas discharge from one direction only, and give it a higher contrast background. The coating is generally of a paint or ink type consisting of a vehicle, a binder and a conductive component in suspension such as nickel oxide, nickel metal powder, graphite, or mixes of these materials. It may be applied by spraying, rolling, brushing or any of a host of mechanical or chemical means, either as a uniform and continuous coating or as a pattern.

In the embodiment of Fig. 1, front surface 12a of sheet member 12 is adapted to receive the first (indicia-shaped) conductive coating 26. The back surface 14b of coating 14 supports the second conductive coating 28. Electrical contact to the coatings 26, 28 may be made directly, for example, by wiper arms (not shown) or conductive epoxy (not shown), in a manner permitting an applied drive voltage to be applied across those coatings. The various coatings 26, 28 may each be of the transparent, reflective or opaque type, depending upon the desired luminous image characteristics.

By way of example, in the illustrated configuration, the film coating 28 is a transparent 100 ohms per square deposited indium doped tin oxide film coating 28. As shown in Fig. 1, the front surface 12a has received, by silkscreening, a nickel-graphite colloidal suspension coating 26 (e.g. Type 401 conductive paint, manufactured by Acheson Colloids, Inc.). With this configuration, a 30 kHz,

900 volt sinusoidal signal applied across coatings 26 and 28 provides a yellow-orange-colored "A"-shaped display. The configuration illustrated in Fig. 1 is particularly well adapted to receive coating 26 by conventional processes such as silkscreening and the like, due to the overall planar structure of device 10, where the filling stem 22 lies substantially in the same principal plane as the device 10.

10 Fig. 1B shows another embodiment 10A in which the sheet member 14 is a wire reinforced safety glass sheet. Wire or a wire grid may either be on the glass sheet surface, or embedded into the glass sheet 14 by means of lamination or suspension.

15 Several versions of wire reinforced safety glazing are commercially available. Customary use of such safety glass is for added strength to the glass sheet, as well as the prevention of excessive fragmentation of the sheet in case of breakage. Some

20 available safety glazing products use continuous individual wires which are laid parallel to each other and spaced at even intervals, while others use a woven wire mesh or wire grid. The use of reinforced safety glass sheets in this embodiment

25 provides a strong surface, which reduces the chance of breakage. The high ratio of open area to wire area provides transparency as well as low resistance electrical contact between the wires in the glass and an external source of current.

30

The safety glass test panel 10A using a wire electrode was constructed using a normal sheet of glass as the back sheet 12 of the panel, to which was applied a conductive pattern (test pattern) 26 and a 5 sheet of wire reinforced safety glass 14 as the front of the panel. The two glass sheets were sealed at their periphery so that there was a 1/4 inch separation between the sheets. The wire grid 28' of the safety glass had been placed interior to the 10 sheet of glass at the time of manufacture by means of suspending it in the glass while it was still molten. The wire grid defined cells approximately .5 inch on a side and was made from an iron alloy wire. The grid had been placed approximately 15 one third of the way into a one quarter inch thick plate of window glass. Electrical contact was made to one of the short pieces of wire that normally extend from the cut edge of wire reinforced plate glass (an artifact of the cutting process). The 20 wire-to-wire contact resistance across the grid averaged less than .4 ohms per contact in a test of contact resistance made between 20 wires around a one foot square sample. The region 20 between the sheets 12 and 14 was filled with a gas mixture of 25 Neon (99+%) and Xenon (trace), at 160 torr. Other trace gases could be used, such as Nitrogen or Argon, and other pressures may be used, such as 5-250 torr. The equivalent sheet resistance of this embodiment is less than that for an indium doped tin oxide coating 30 on glass. The average per square resistance is comparable to semi-transparent metallic coatings which are approximately 1000 ohms per square. This embodiment provides a low cost, rugged and efficient alternative to continuous conductive coatings.

In operation at low pressures (less than 160 torr), a 4-6 Kvolt peak-to-peak 18-82 kHzertz excitation is applied across the pattern electrode and the wire grid. Under these conditions, the safety glass test panel provides an illumination pattern that is similar to a panel with a continuous conductive surface as the charging electrode. At higher pressures, the pattern made by the wires is more discernable in contrast to the test pattern, however, this effect may be reduced by lowering the frequency of the applied voltage.

Fig. 2 shows a display device 10' similar to that in Fig. 1 where corresponding elements are identified with the same reference designations as in Fig. 1. In Fig. 2, a conductive border strip 30 is disposed on the peripheral portion of the front surface 12a of sheet 12. The border strip 30 is connected to coating 26 by portions 30a and 30b. With this configuration permits a simple connection (at contact 44) for coupling to an externally applied signal.

The embodiment of Fig. 2 also includes a third non-conductive sheet 40 overlying the back surface 14b of sheet 14. Sheet 40 provides an electrical insulation layer for the embodiment of Fig. 2 to protect a user from contacting a drive voltage applied to coating 28, relative to the grounded coating 26. A connector 46 is positioned on sheet 40 and feeds through to coating 28 to provide a convenient means for coupling a drive signal to coating 28. Otherwise, the embodiment of Fig. 2 is similar to and operates in the same manner as the embodiment of Fig. 1.

Another form of the invention uses an electrode configuration with a charging electrode (coating 28) in some location other than in direct opposition to the pattern electrode (coating 26).  
5 Gas pressure, electric signal and panel geometry may be controlled to provide an even illumination of the region between sheets 12 and 14 adjacent to the pattern electrode as the charging electrode provides a current path for the discharge current in the  
10 panel, even though it is not located directly across from the pattern electrode.

Cathode glow phenomena are the primary source of the illumination energy in these cases, and  
15 accordingly, the location of the anode is not critical, but rather the anode must have the ability to transfer current to the external circuit (even though these devices generally utilize a high frequency A.C. drive, so that the distinction between  
20 anode and cathode becomes minor). These conditions have been found particularly effective at pressures below 400 torr in neon, or neon with the addition of small percentages of a second rare gas or nitrogen, although the design is effective with other gases and  
25 combinations of gases.

In such panels, the location, size and dimensions of the charging electrodes may vary considerably. Preferably, the charging electrode is  
30 in proximity to the pattern electrode. In various forms, the charging electrode may have a smaller area than the pattern electrode. The charging electrode may be a wire interior to the panel and making direct

contact with the gas. It may alternatively be an appendage containing an electrode which communicates with the gas discharge in the panel through a tube or hole, or a perimeter spacer, or it may be a  
5 peripheral seal that is conductive between the edges of sheets 12 and 14. Figs. 2A-2D show exemplary configurations of these types, wherein elements corresponding to elements in the embodiment of Fig. 1 are shown with the same reference designations. In  
10 all of these configurations, contact regions 71 and 73 respectively provide electrical contact to the pattern electrode and the charging electrode.

Fig. 2A shows a display panel 10a similar to  
15 that in Fig. 1 where the conductive coating (or charging electrode) 28 of sheet 14 is configured and located other than as a uniform conductive sheet opposing any part of the conductive coating 26 of sheet 12. As shown in Fig. 2A, the conductive  
20 coating 28 forms a closed geometric pattern near the periphery of the back (or outside) surface 14b. Depending on the particular geometry of the pattern electrode ("ABC" in Figs. 2A-2D), the charging electrode may or may not underlie the pattern  
25 electrode.

Fig. 2B shows a display panel 10b in which the charging electrode is in the form of a wire 28" extending (in direct contact with the gas in region  
30 20) across the region 20.

Fig. 2C shows a display panel 10c in which the charging electrode is in the form of a conductive element positioned within the filling stem 22, or a separate chamber coupled to the closed region.

5

A display panel 10d is shown in Fig. 2D, where the spacer element 16 comprises a conductive material. That seal 16 establishes the charging electrode so that the region of chamber 20 adjacent to the pattern electrode 28 is illuminated.

All of these configurations may provide an even illumination of the closed region 20 of the chamber and adjacent to the conductive pattern, for example the "ABC"-shaped pattern in Figs. 2A-2D.

15

Figs. 3 and 4 show a similar configuration to the embodiment shown in Fig. 2, but further including eight raised spacers 55-62 projecting from sheet 12 and extending to sheet 14, all within the enclosed volume 20. The spacers permit a relatively large area pair of sheet members to be used while still retaining a relatively high level of structural rigidity. The spacers also permit use of a relatively broad range of gas pressures in chamber 20. The spacers 55-62 as shown are cylindrical in shape. Alternative forms for those spacers are shown in section in Figs. 5-9. The spacers might be used in any of the above-described embodiments.

30

In the preferred form of the invention, as shown in Fig. 4, the raised spacers extend only part way between the surfaces 12b and 14a when enclosed volume 20 is filled with electroluminescent gas.

With this configuration, during assembly of near-atmospheric pressure (in enclosed volume 20) embodiments, volume 20 can be evacuated and the raised spacers will play a limit on the resultant displacement of the sheet members 12, 14, thereby permitting use of relatively thin sheet members 12, 14. Then, after backfilling with the electroluminescent gas, the raised spacers again extend only partially between surfaces 12b and 14a, permitting a substantially uniform luminescent display across the entire enclosed volume 20. The spacers may also be used in embodiments where the sheet members are flexible.

Another embodiment, device 10f, is shown in Fig. 10. Device 10f is similar to that shown in Fig. 1, except that the coating 28 is disposed on the front surface 14a of sheet 14. With this configuration, there is no need for the third sheet 40 since the drive electrode is fully within the enclosed volume 20. Electrical contact is made to coating 28 by a portion 28a which extends beyond the seal/spacer element 16.

Here, the coating 28 is in direct contact with the gas in chamber 20. While better electrical coupling is achieved between coating 28 and the gas, a lower drive voltage may be used and increased edge definition for the image is attained, compared with embodiments where coating 28 is on the back surface 14b. There is, however, a somewhat reduced lifetime of the device due to sputtering that occurs at the coating 28.

Fig. 11 shows a display device 10g which allows a display panel (for example, a sign) to be read from both sides without a reversal of the letters from either direction. In this embodiment, there are effectively two devices 10h, 10i having an adjoining opaque insulating sheet 80. The two devices 10h, 10i may be mechanically joined within a single frame, or joined with a bonding agent, such as laminating plastic or adhesive. In the case of laminating plastic or adhesive, this may be dyed or otherwise made colored or opaque to increase the viewing contrast of the illuminated pattern.

Each separate device 10h, 10i comprising device 10g may be any of the above embodiments of this invention. For example, the first device 10h may comprise a first sheet 14h having a transparent conductive coating (charging electrode) 28h on the surface 14hb, a spacer 16h, and a second sheet 12h having a conductive coating (pattern electrode) 26 on surface 12ha. The second device 10i comprises corresponding elements (denoted with designation "i") as the device 10h. A third component, insulating sheet 80, may be a non-conductive glass sheet, a laminating non-conductive material, or similar opaque material of sufficient thickness and dielectric strength so as to prevent the pattern intended to be read from one direction from illuminating areas in the panel facing the opposite direction. The insulating sheet is attached on one side to the pattern electrode-bearing (inner) surface 12ha of device 10h and on the other side to pattern electrode-bearing (inner) surface 12ia of device 10i.

In this embodiment, two separate patterns may be applied to the surfaces 12ha and 12ia of sheets 12h and 12i. The presence of opaque insulating sheet 80 would permit the display of two  
5 separate patterns, such as letters, to be read from either side.

Since the panels of the invention operate on alternating current at relatively high frequencies, it may be important to provide a means of preventing  
10 the escape of an excessive amount of RF radiation. This may be accomplished readily with the configuration of Fig. 11, where the conductive coatings 28h and 28i cover the entirety of surfaces 14hb and 14ib. These coatings may be grounded, so  
15 that they establish radio frequency interference (RFI) shielding for device 10g. Another method of minimizing RFI is to use the dual display device 10j shown in Fig. 12. That device is similar to device 10g, in that it has two separate display devices 10k  
20 and 10l (each similar to the device of Fig. 1). However, the charging electrodes for these devices 10k and 10l is a single, perimeter-extending conductive spacer element 90. The pattern electrodes 26k and 26l are on surfaces 12ka and 12la  
25 respectively and are both grounded to provide RFI shielding. The spacer element 90 is separately shielded, for example by a conductive shield 94 such as a grounded cover frame separated by insulator 96 and extending along the perimeter of the device 10j.

An opaque member (similar to element 80 in device 10g) may be used in the space between devices 10k and 10l, to permit two-sided viewing without interference. Alternatively, either or both of 5 sheets 12h and 12i may be opaque to permit two-sided viewing. The device 10j has the advantage over device 10g that the pattern electrode may be applied after assembly of the composite dual device.

In the dual device configurations, such as 10 shown in Figs. 11 and 12, at least three of sheet members may all be transparent so that overlapping images (e.g. in regions 20h and 20i of device 10g) may be viewed from at least one side of the device. Depending upon the gas mixtures in the respective 15 regions, different color images may be established in those regions. Moreover, the shapes of the respective regions may be controlled, for example by selecting the shape of spacers in those regions.

20 The invention may be embodied in other specific forms without departing from the spirit or essential characteristics thereof. The present embodiments are therefore to be considered in all respects as illustrative and not restrictive, the 25 scope of the invention being indicated by the appended claims rather than by the foregoing description, and all changes which come within the meaning and range of equivalency of the claims are therefore intended to be embraced therein.

30

What is claimed is:

-28-

The embodiments of the invention in which an exclusive property or privilege is claimed are defined as follows:

- 5 1. A luminous panel display device comprising:
  - A. a first non-conductive sheet member having front and back surfaces, said first sheet member having a coating region on portions of its front surface, said coating region being adapted to receive a first conductive  
10 coating representative of a predetermined image;
  - B. a second non-conductive sheet member having front and back surfaces, wherein at least one of said first and second sheet members is transparent;
  - C. spacer means for mutually positioning said first and  
15 second sheet members whereby the back surface of said first sheet member is offset by a predetermined separation from and opposite the front surface of said second sheet member;
  - D. discharge chamber means for establishing a gas  
20 impervious seal between portions of the back surface of said first sheet member and the front surface of said second sheet member to define a closed region in the gap between said back surface of said first sheet member and the front surface of said second sheet member and  
25 underlying said coating region;
  - E. electroluminescent gas disposed within said closed region; and
  - F. a conductive element disposed on a portion of one of the front and back surfaces of, or within, or adjacent  
30 to, said second sheet member, wherein said conductive element is a wire positioned on the surface of or within said second sheet member.

-29-

2. A display device according to claim 1 wherein said wire establishes a conductive grid.
- 5 3. A display device according to claim 2 wherein said grid underlies at least in part said closed region and a portion of said coating region.
4. A luminous panel display device comprising:
- 10 A. a first non-conductive sheet member having front and back surfaces, said first sheet member having a coating region on portions of its front surface, said coating region being adapted to receive a first conductive coating representative of a predetermined image;
- 15 B. a second non-conductive sheet member having front and back surfaces, wherein at least one of said first and second sheet members is transparent;
- C. spacer means for mutually positioning said first and second sheet members whereby the back surface of said  
20 first sheet member is offset by a predetermined separation from and opposite the front surface of said second sheet member;
- D. discharge chamber means for establishing a gas impervious seal between portions of the back surface of  
25 said first sheet member and the front surface of said second sheet member to define a closed region in the gap between said back surface of said first sheet member and the front surface of said second sheet member and underlying said coating region;
- 30 E. electroluminescent gas disposed within said closed region; and
- F. a conductive element disposed on a portion of one of

-30-

the front and back surfaces of, or within, or adjacent to, said second sheet member, wherein said conductive element is a wire extending at least partially through said closed region.

5

5. A luminous panel display device comprising:

- A. a first non-conductive sheet member having front and back surfaces, said first sheet member having a coating region on portions of its front surface, said coating  
10 region being adapted to receive a first conductive coating representative of a predetermined image;
- B. a second non-conductive sheet member having front and back surfaces, wherein at least one of said first and second sheet members is transparent;
- 15 C. spacer means for mutually positioning said first and second sheet members whereby the back surface of said first sheet member is offset by a predetermined separation from and opposite the front surface of said second sheet member;
- 20 D. discharge chamber means for establishing a gas impervious seal between portions of the back surface of said first sheet member and the front surface of said second sheet member to define a closed region in the gap between said back surface of said first sheet member and  
25 the front surface of said second sheet member and underlying said coating region;
- E. electroluminescent gas disposed within said closed region; and
- F. a conductive element disposed on a portion of one of  
30 the front and back surfaces of, or within, or adjacent to, said second sheet member, wherein said conductive

-31-

element extends at least partially around the periphery of said closed region, and

wherein said conductive element is integral with said spacer means.

5

6. A display device according to claim 2 wherein said second sheet member is glass.

7. A display device according to claim 1 further  
10 comprising a tubular stem extending through said seal of said discharge chamber means whereby the region interior to said stem is contiguous with said closed region, and  
wherein said wire is positioned within said stem.

15 8. A display device according to claim 1 further comprising means for coupling an applied drive voltage across said first conductive coating and said wire.

9. A dual display plasma panel, comprising:

20 A. a first luminous panel display device and a second luminous panel display device, each of said first and second panel display devices including:

i. a first non-conductive sheet member having front and back surfaces, said first sheet member having a  
25 coating region on portions of its front surface, said coating region being adapted to receive a first conductive coating representative of a predetermined image;

ii. a second non-conductive sheet member having  
30 front and back surfaces, wherein at least one of said first and second sheet members is transparent;

-32-

iii. spacer means for mutually positioning said first and second sheet members whereby the back surface of said first sheet member is offset by a predetermined separation from and opposite the front surface of said  
5 second sheet member;

iv. discharge chamber means for establishing a gas impervious seal between portions of the back surface of said first sheet member and the front surface of said second sheet member to define a closed region in the gap  
10 between said back surface of said first sheet member and the front surface of said second sheet member and underlying said coating region;

v. electroluminescent gas disposed within said closed region; and

15 vi. a conductive element disposed on a portion of one of the front and back surfaces of, or within, or adjacent to, said second sheet member;

B. means for mutually positioning said first and second display devices whereby said first sheet members of both  
20 said first and second display devices are opposite each other or said second sheet members of both said first and second display devices are opposite each other, and wherein at least one of the non-opposite ones of said sheet members are substantially transparent.

25

10. A dual display plasma panel according to claim 9 further comprising said first conductive coating of each of said display devices disposed on the respective coating regions of said devices.

30

-33-

11. A dual display plasma panel according to claim 10 wherein said first sheet members of said display devices are opposite each other.

5 12. A dual display plasma panel according to claim 11 wherein the shapes of said first conductive coatings of said devices are substantially the same.

13. A dual display plasma panel according to claim 11  
10 further comprising a substantially opaque member positioned between said first sheet members.

14. A dual display plasma panel according to claim 11 wherein at least one of said first sheet members is  
15 substantially opaque.

15. A dual display plasma panel according to claim 11 wherein said conductive elements of said devices are substantially transparent coatings extending  
20 substantially over said second sheets of said devices.

16. A dual display plasma panel according to claim 15 further comprising means for connecting said conductive elements to ground potential.

25

17. A dual display plasma panel according to claim 9 wherein said second sheet members of said display devices are opposite each other.

30 18. A dual display plasma panel according to claim 17 wherein said conductive element extends between and at

-34-

least partially around the periphery of said closed regions of both of said devices.

19. A dual display plasma panel according to claim 18  
5 further comprising means for substantially surrounding each of said conductive elements with a conductive member that is spaced apart from the respective conductive elements, and

means for connecting said first conductive coatings  
10 and said conductive member to ground potential.

20. A dual display plasma panel according to claim 17  
further comprising said first conductive coatings on the  
respective first sheet members of each of said devices  
15 and wherein the shapes of said first conductive coatings of said devices are substantially the same.

21. A dual display plasma panel according to claim 17  
further comprising a substantially opaque member  
20 positioned between said second sheet members.

22. A dual display plasma panel according to claim 17  
wherein at least one of said second sheet members is  
substantially opaque.

25

23. A dual display plasma panel according to claim 21  
further comprising said first conductive coatings on the  
respective first sheet members of each of said devices.

30 24. A dual display plasma panel according to claim 22  
further comprising said first conductive coatings on the  
respective first sheet members of each of said devices.

-35-

25. A dual display device according to claim 9 further comprising means for coupling an applied drive voltage across said first conductive coatings and said conductive  
5 elements of said devices.

26. A dual display device according to claim 9 wherein both non-opposite one of said ones of said sheet members are substantially transparent.

10

27. A luminous panel display device comprising:

- A. a first non-conductive sheet member having front and back surfaces, said first sheet member having a coating region on portions of its front surface, said coating  
15 region being adapted to receive a first conductive coating representative of a predetermined image;
- B. a second non-conductive sheet member having front and back surfaces, wherein at least one of said first and second sheet members is transparent;
- 20 C. spacer means for mutually positioning said first and second sheet members whereby the back surface of said first sheet member is offset by a predetermined separation from and opposite the front surface of said second sheet member;
- 25 D. discharge chamber means for establishing a gas impervious seal between portions of the back surface of said first sheet member, and the front surface of said second sheet member to define a closed region in the gap  
30 between said back surface of said first sheet member and the front surface of said second sheet member and underlying said coating region;

-36-

E. electroluminescent gas disposed within said closed region; and characterized in that:

a conductive element is disposed embedded within said second sheet member in the form of a wire, wire grid  
5 or woven wire mesh or is disposed adjacent to said second sheet member but not underlying said coating region.

28. A display device according to claim 27 further comprising said first conductive coating disposed upon  
10 said coating region.

29. A display device according to claim 27 wherein said conductive element is a wire and said wire establishes a conductive grid.

15

30. A display device according to claim 29 wherein said second sheet member is glass.

31. A display device according to claims 27 or 28  
20 wherein said conductive element is a wire extending at least partially through said closed region.

32. A display device according to claims 27 or 28 wherein said conductive element extends at least  
25 partially around the periphery of said closed region.

33. A display device according to claim 32 wherein said conductive element is integral with said spacer means.

30 34. A display device according to claim 32 further comprising:

-37-

means to substantially surround said conductive element with a conductive member that is spaced apart from said conductive element, and

means for connecting said first conductive coating  
5 and said conductive member to ground potential.

35. A display device according to claims 27 or 28 further comprising a tubular stem extending through said seal of said discharge chamber means whereby the region  
10 interior to said stem contiguous with said closed region, and wherein said conductive element is positioned within said stem.

36. A display device according to claims 27 or 28  
15 further comprising means for coupling an applied drive voltage across said first conductive coating and said conductive element.

37. A dual display plasma panel, comprising:  
20 A. a first luminous panel display device and a second luminous panel display device at least one of which is as claimed in claim 27; and  
B. means for mutually positioning said first and second display devices whereby said first sheet members of both  
25 said first and second display devices are opposite each other or said second sheet members of both said first and second display devices are opposite each other, and wherein at least one of the non-opposite ones of said sheet members are substantially transparent.

30

38. A dual display plasma panel according to claim 37 further comprising said first conductive coating of each

-38-

of said display devices disposed on the respective coating regions of said devices.

39. A dual display plasma panel according to claim 38  
5 wherein said first sheet members of said display devices are opposite each other.

40. A dual display plasma panel according to claim 39  
10 wherein the shapes of said first conductive coatings of said devices are substantially the same.

41. A dual display plasma panel according to claim 39  
15 further comprising a substantially opaque member positioned between said first sheet members.

42. A dual display plasma panel according to claim 39  
wherein at least one of said first sheet members is substantially opaque.

20 43. A dual display plasma panel according to claim 39 wherein said conductive elements of said device are substantially transparent coatings extending substantially over said second sheets of said devices.

25 44. A dual display plasma panel according to claim 43 further comprising means for connecting said conductive elements to ground potential.

30 45. A dual display plasma panel according to claim 37 wherein said second sheet members of said display devices are opposite each other.

-39-

46. A dual display plasma panel according to claim 45 wherein said conductive element extends to between and at least partially around the periphery of said closed regions of both of said devices.

5

47. A dual display plasma panel according to claim 46 further comprising means for substantially surrounding each of said conductive elements with a conductive member that is spaced apart from the respective conductive  
10 elements, and means for connecting said first conductive coatings and said conductive member to ground potential.

48. A dual display plasma panel according to claim 45 further comprising said first conductive coatings on the  
15 respective first sheet members of each of said device and wherein the shapes of said first conductive coatings of said devices are substantially the same.

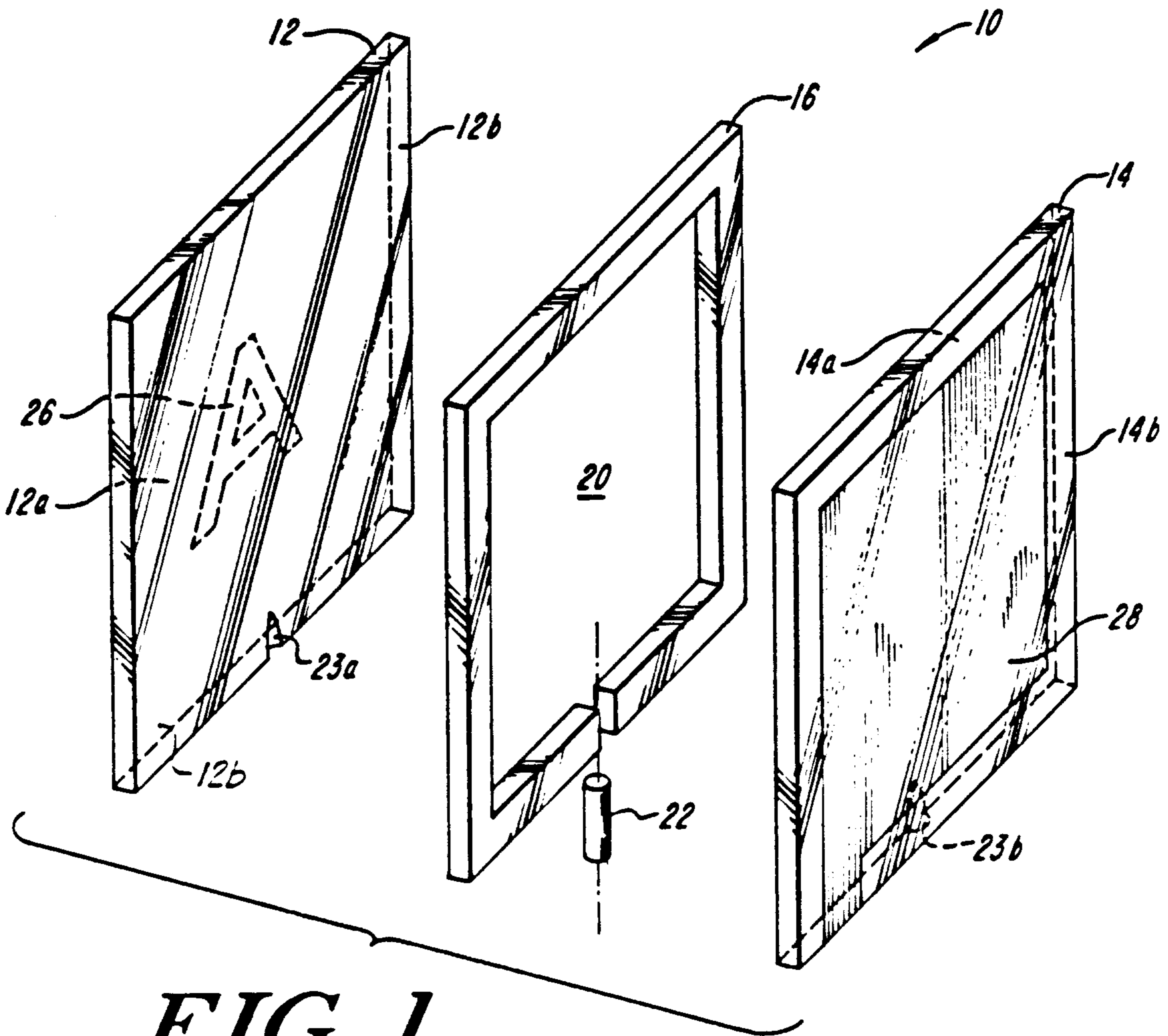
49. A dual display plasma panel according to claim 45  
20 further comprising a substantially opaque member positioned between said second sheet members.

50. A dual display plasma panel according to claim 45 wherein at least one of said second sheet members is  
25 substantially opaque.

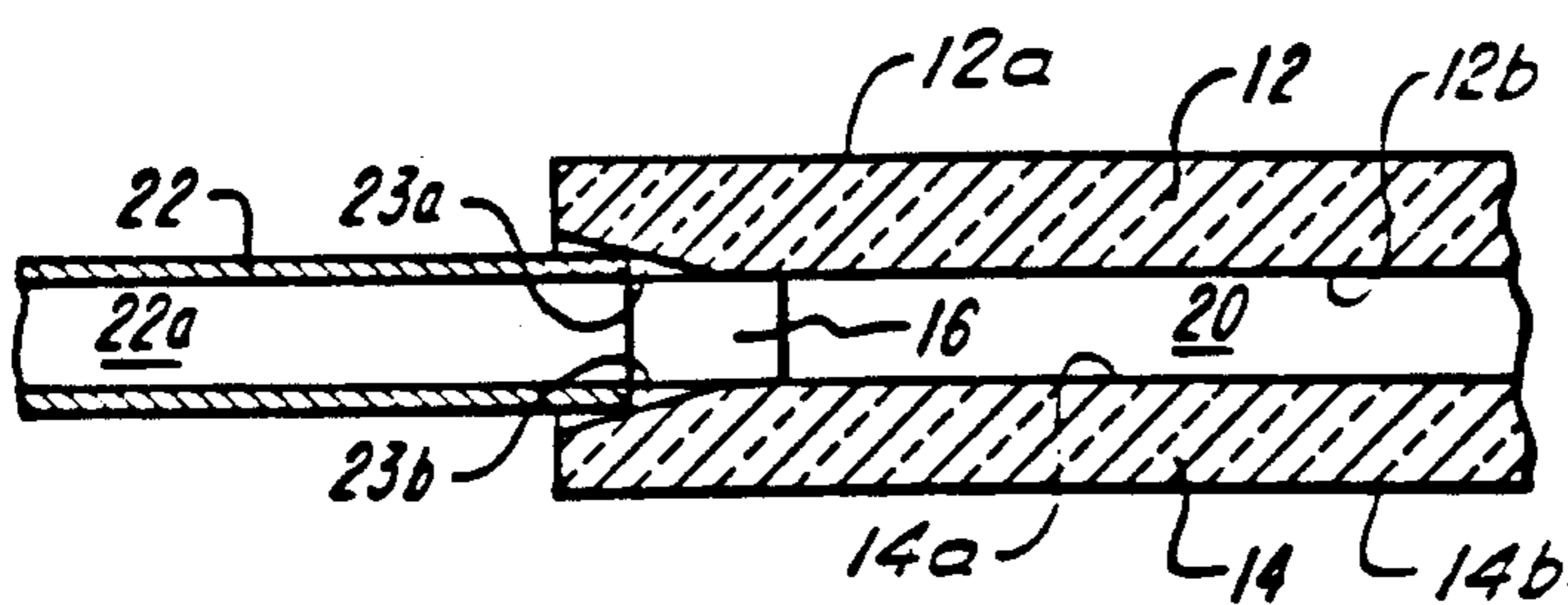
51. A dual display plasma panel according to claim 49 further comprising said first conductive coatings on the respective first sheet members of each of said devices.

30

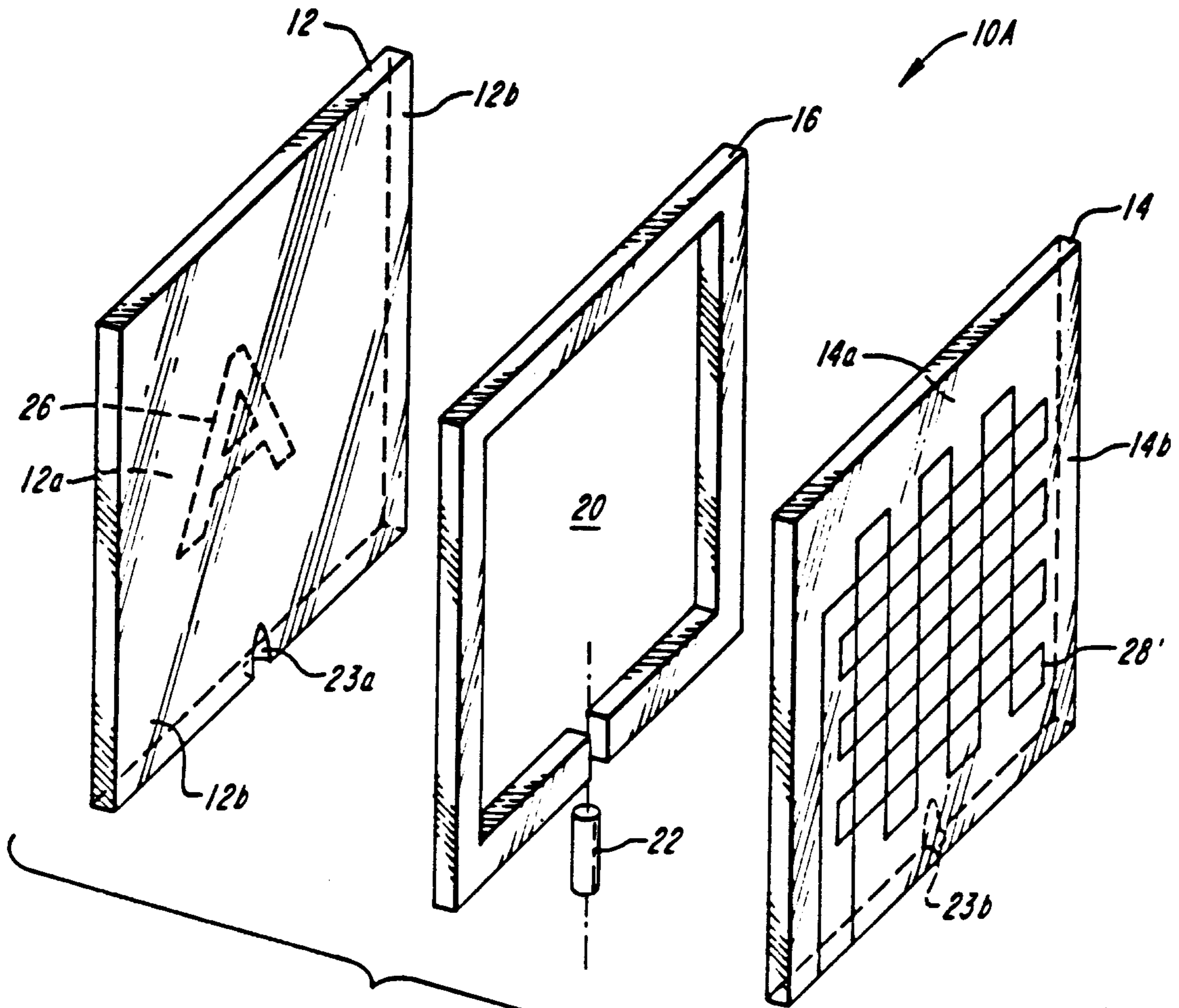
52. A dual display plasma panel according to claim 50 further comprising said first conductive coatings on the respective first sheet members of each of said devices.
- 5 53. A dual display device according to claim 37 further comprising means for coupling an applied drive voltage across said first conductive coatings and said conductive elements of said devices.
- 10 54. A dual display device according to claim 37 wherein both non-opposite one of said ones of said sheet members are substantially transparent.



**FIG. 1**

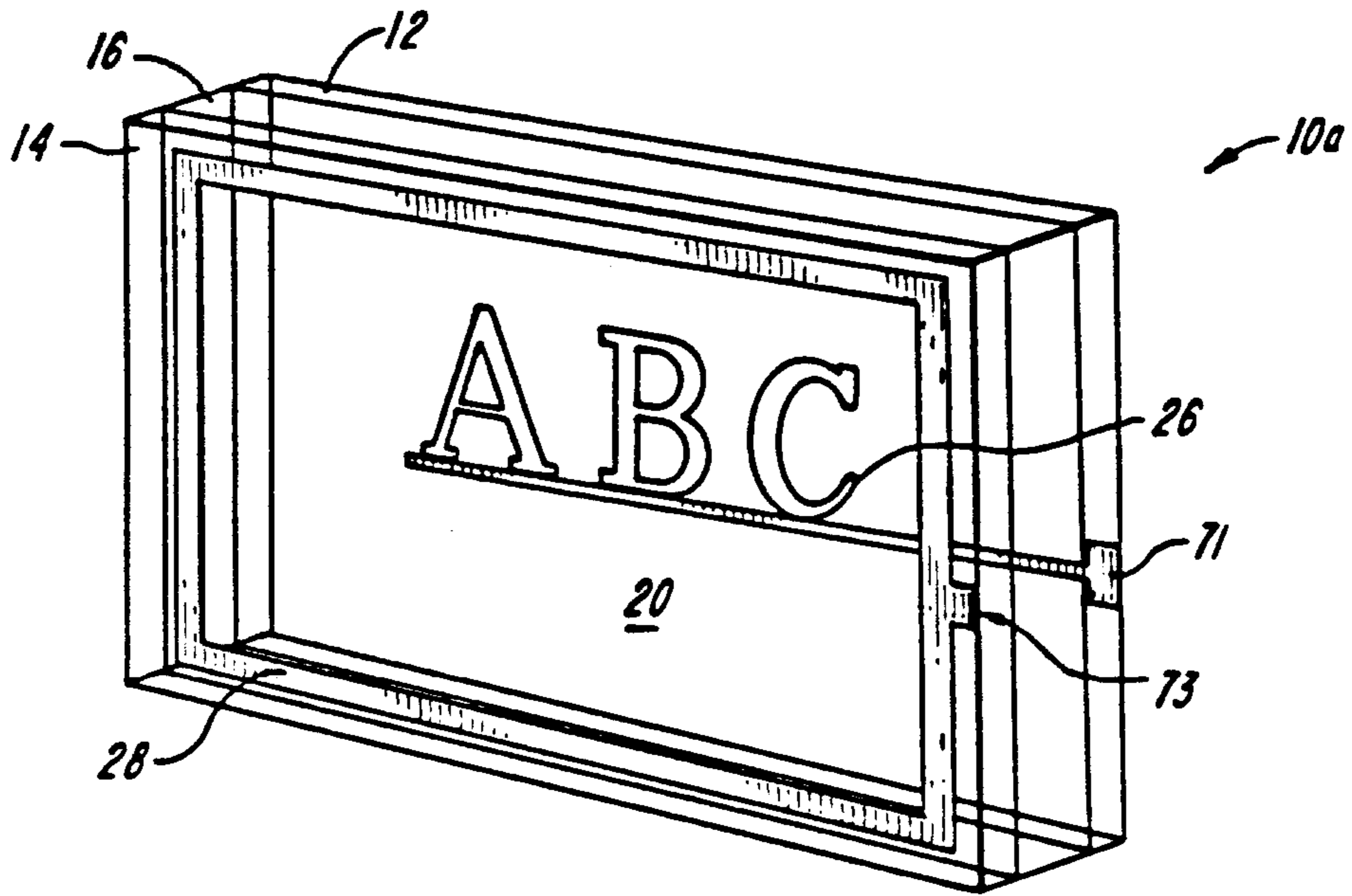


**FIG. 1A**

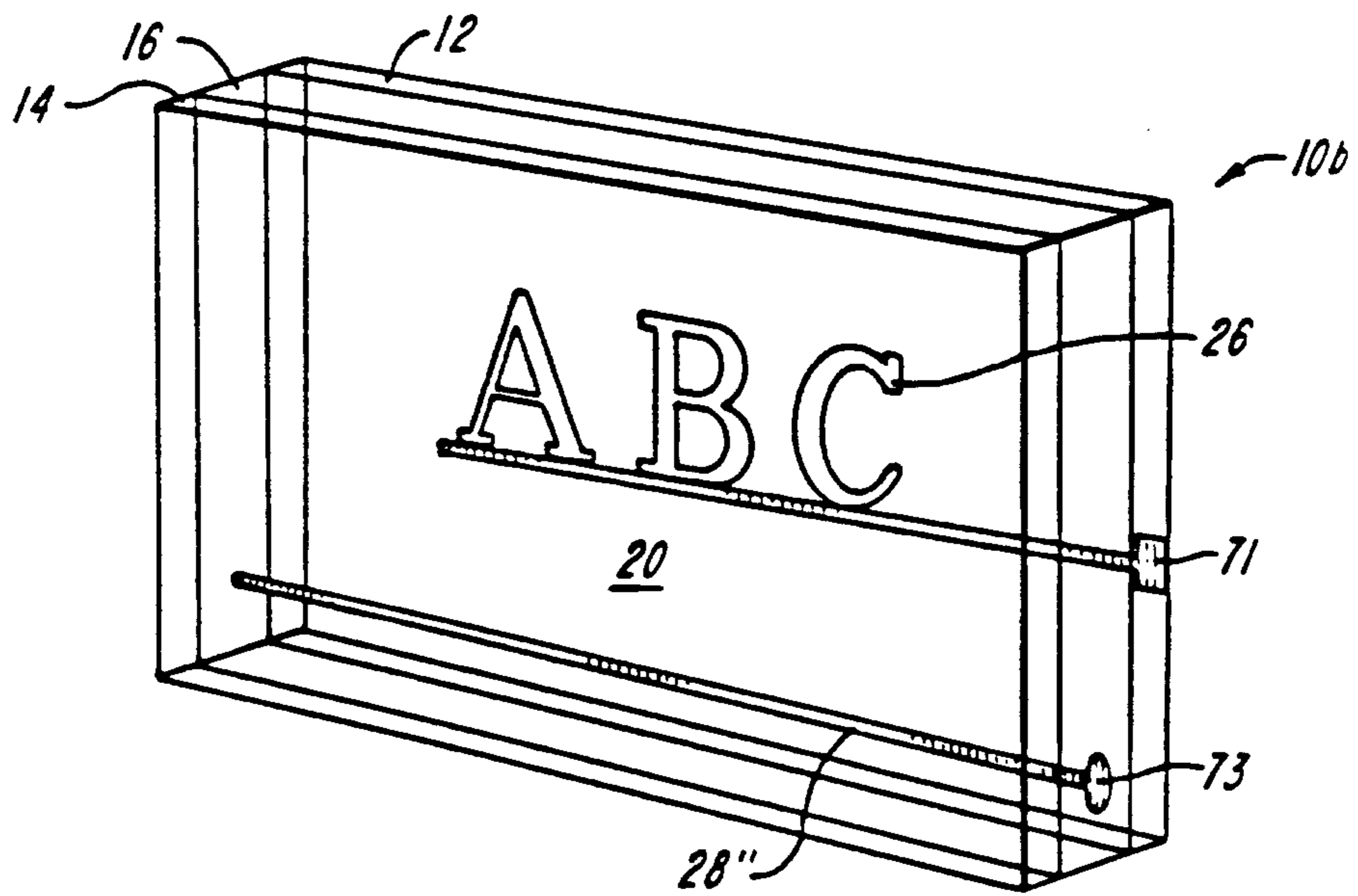


**FIG. 1B**

*John H. ...*

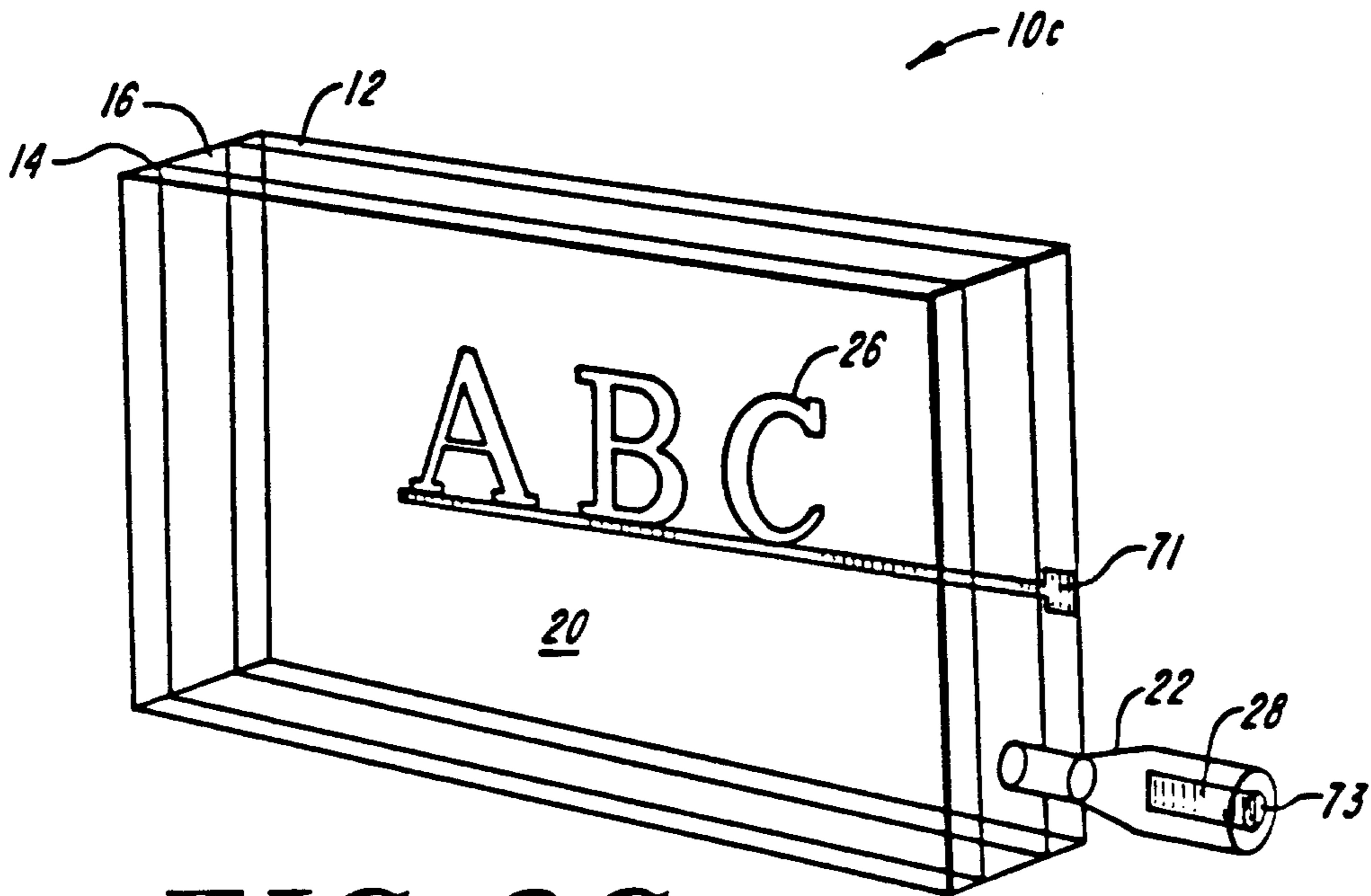


**FIG. 2A**

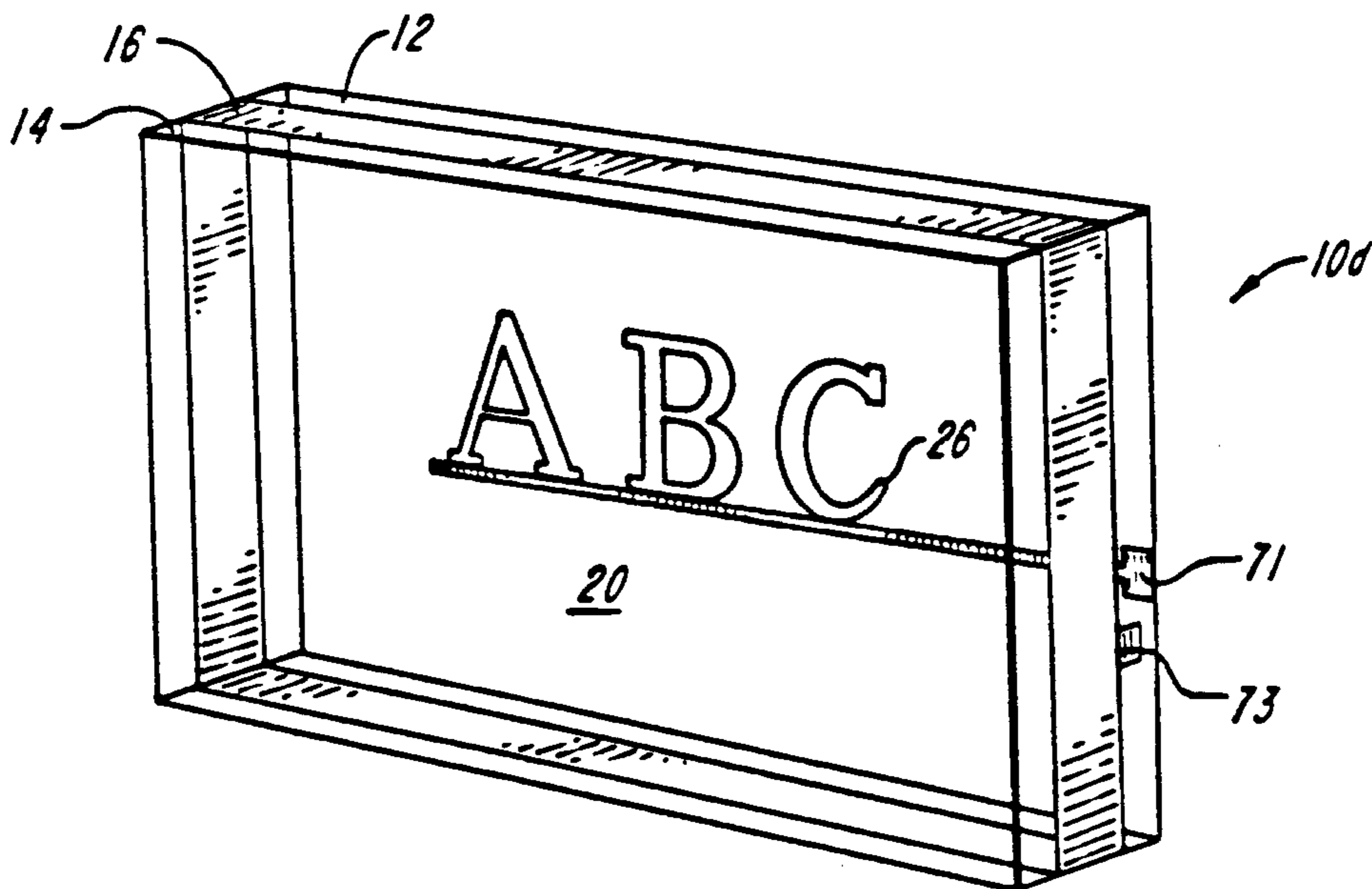


**FIG. 2B**

*Walter D. Taylor & Associates*

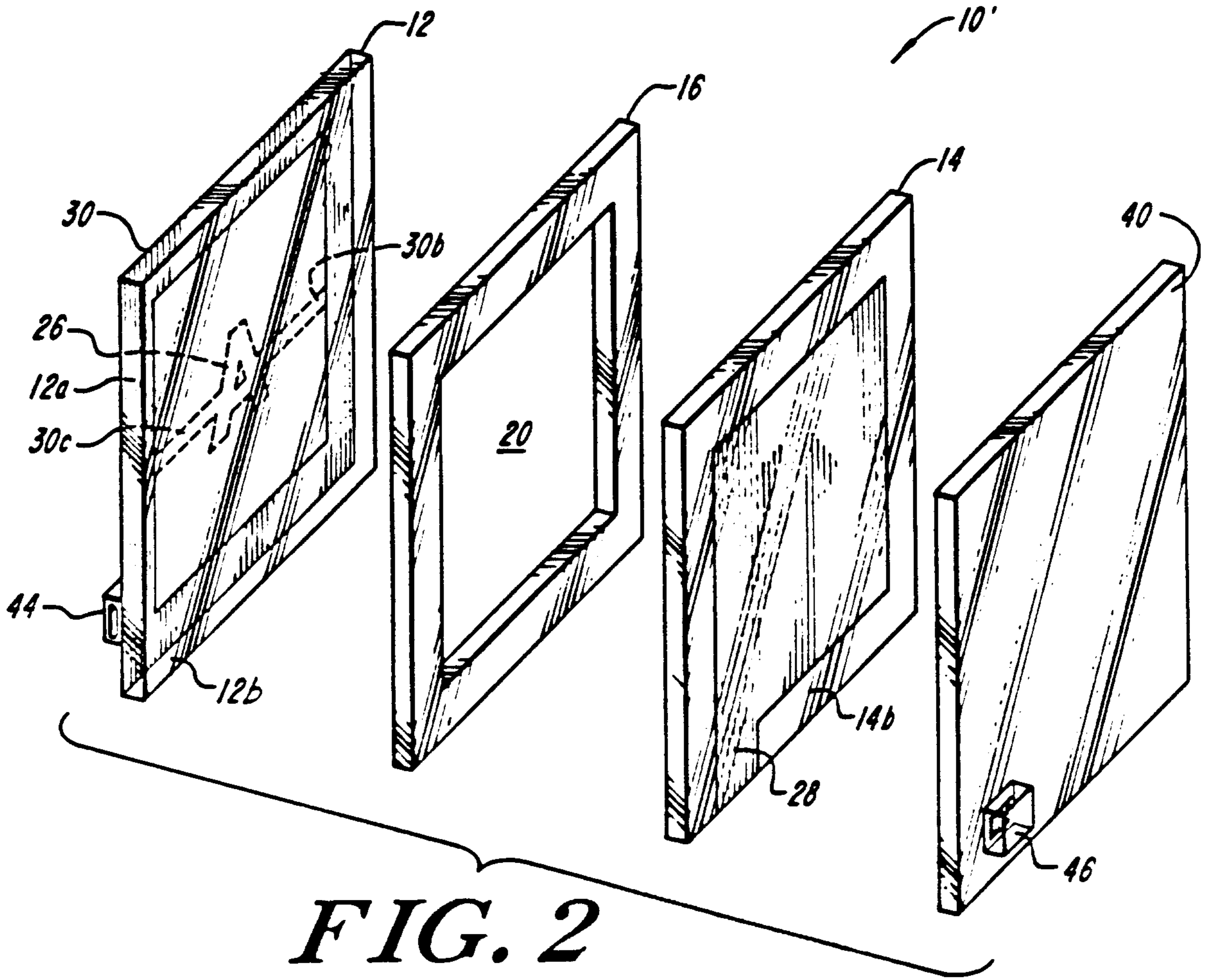


**FIG. 2C**

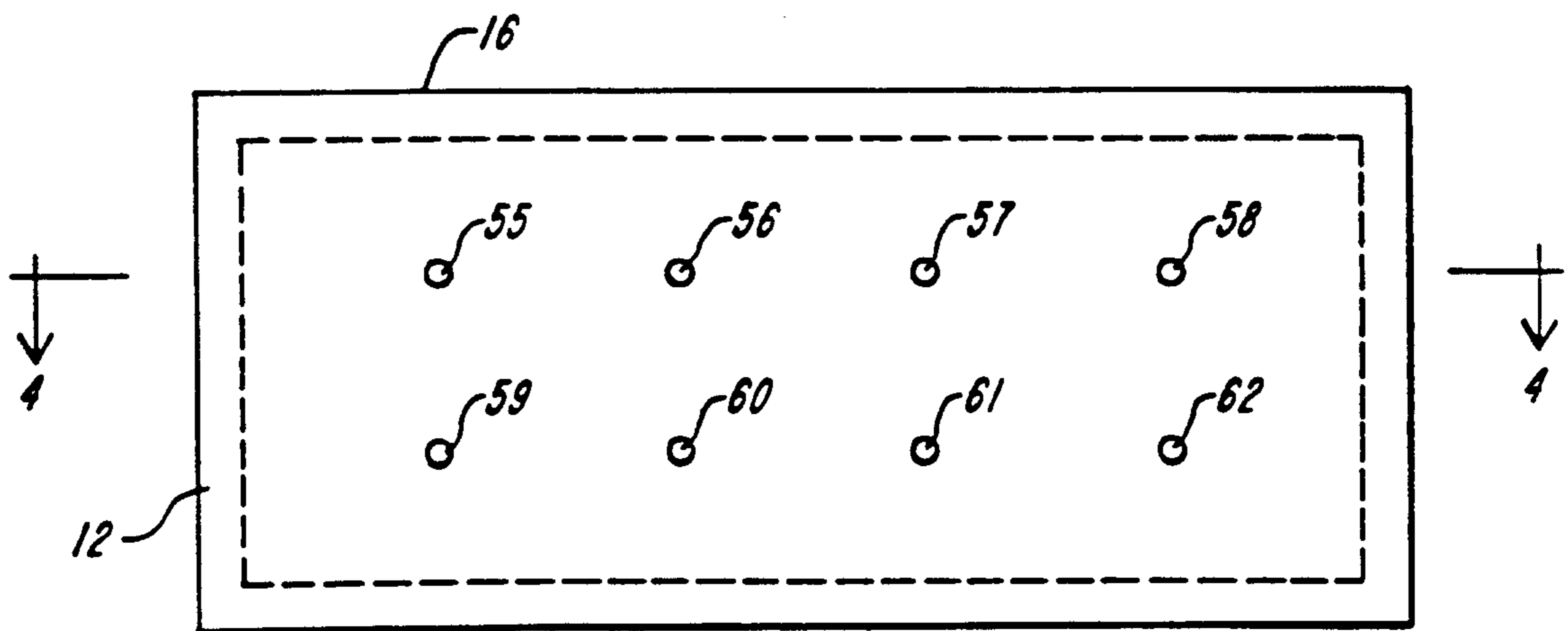


**FIG. 2D**

*John H. Taylor*

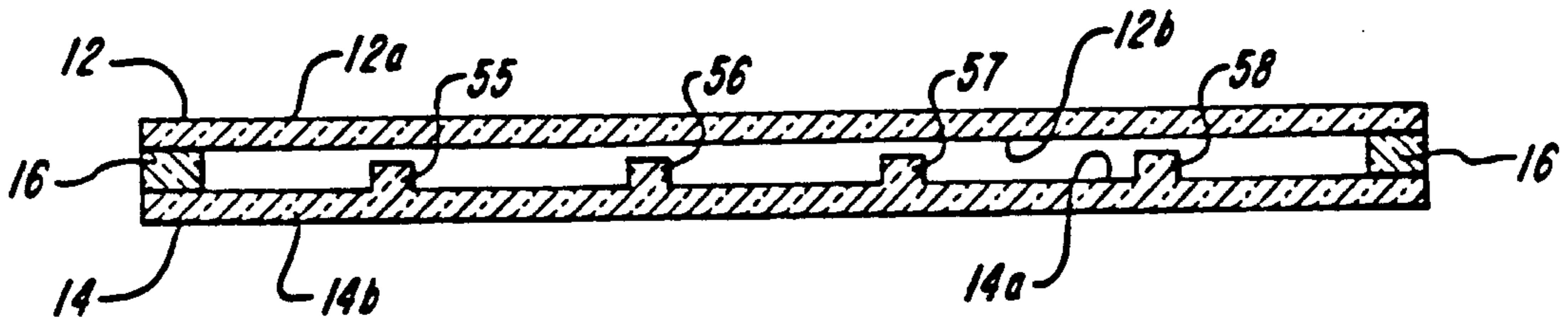


**FIG. 2**

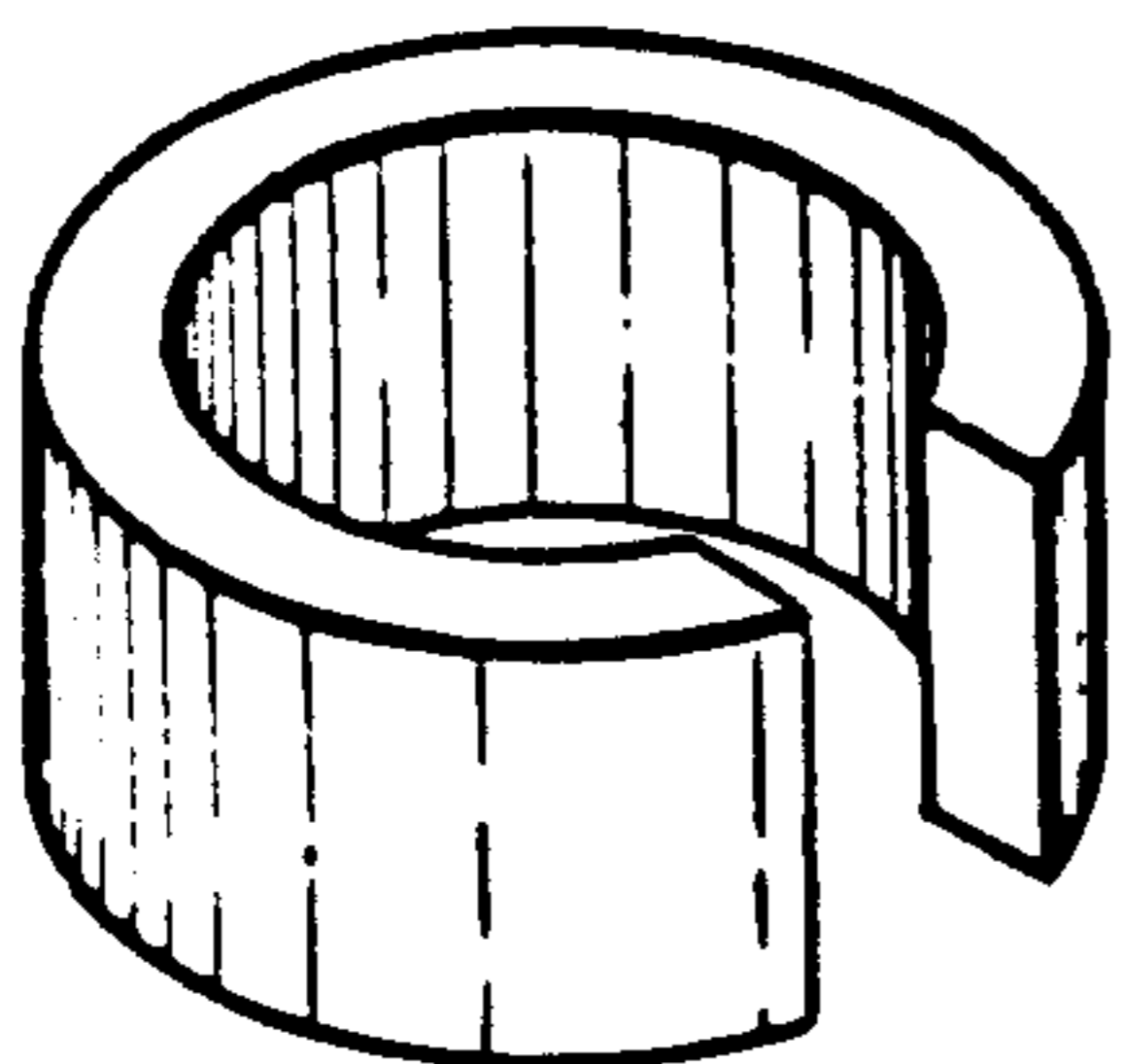


**FIG. 3**

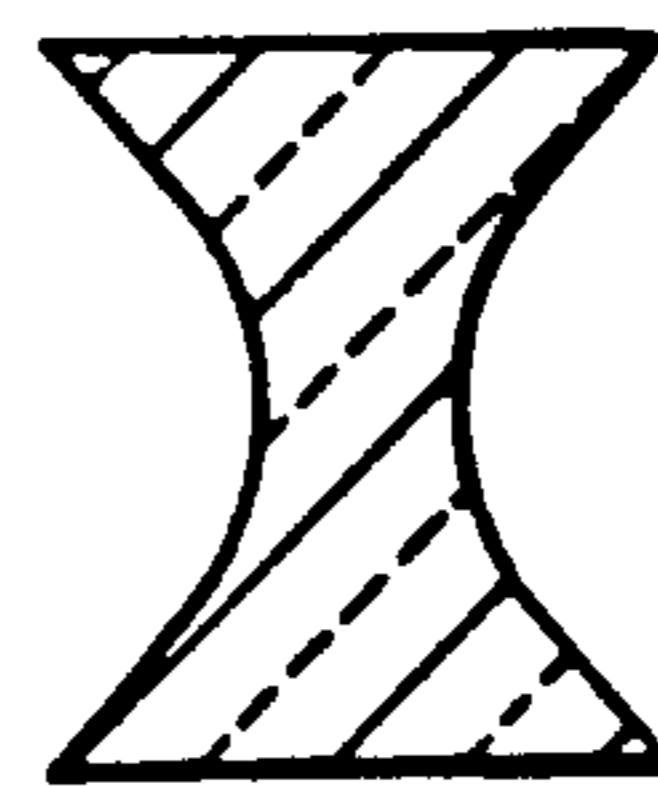
*W. H. & H. H. H. H.*



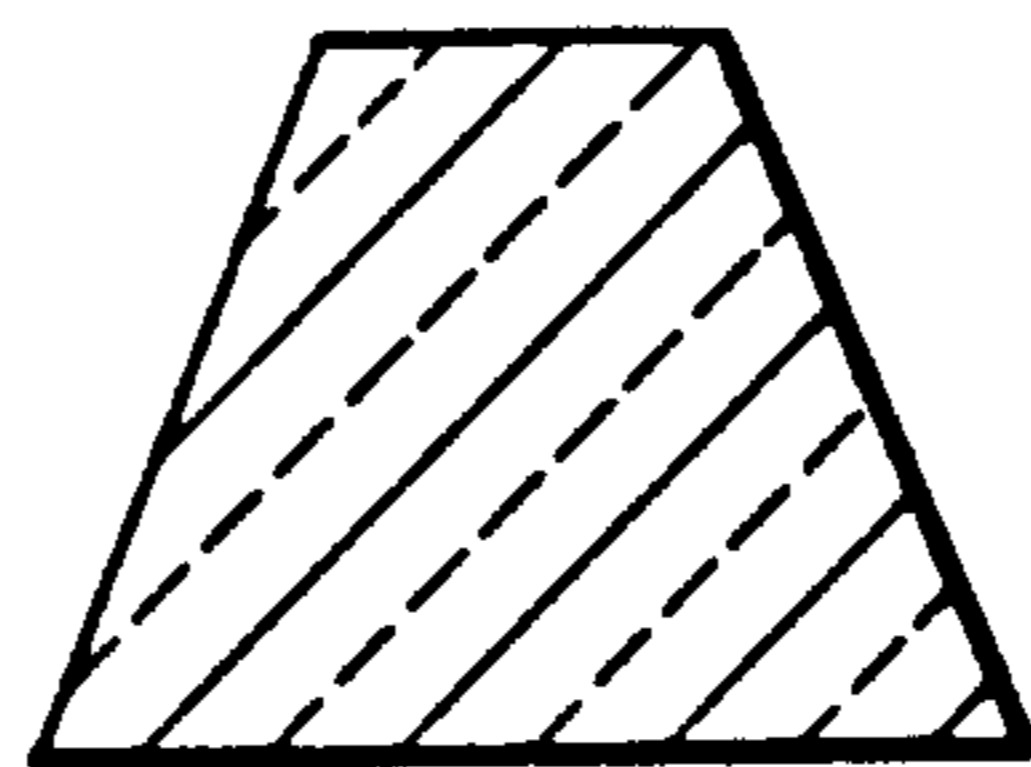
**FIG. 4**



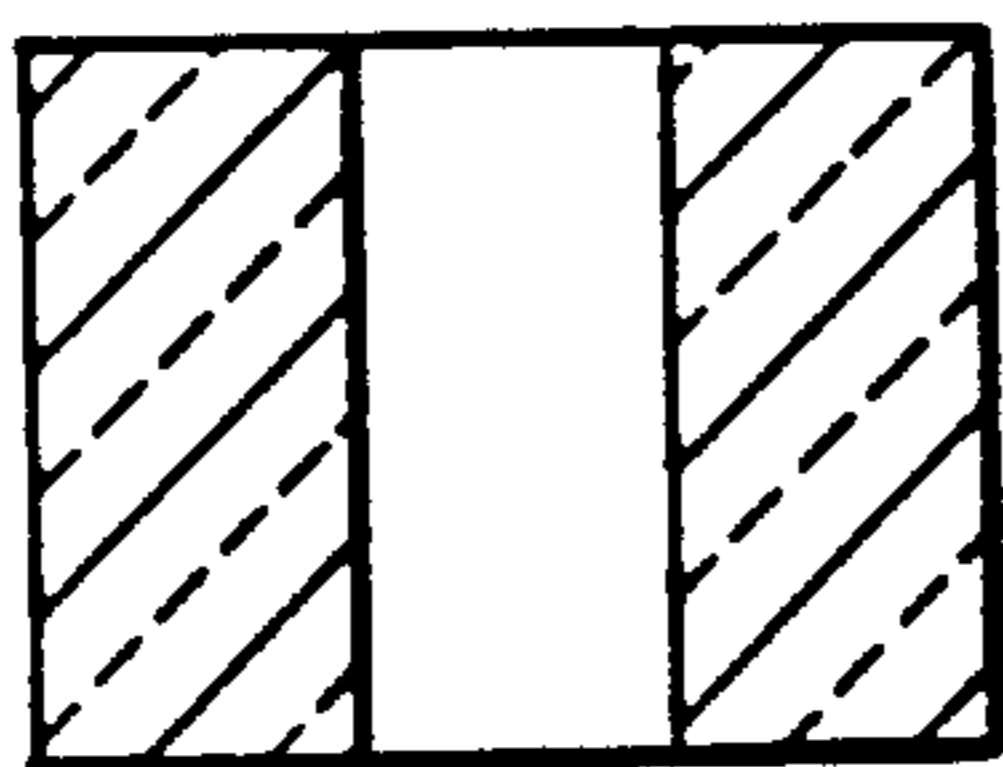
**FIG. 5**



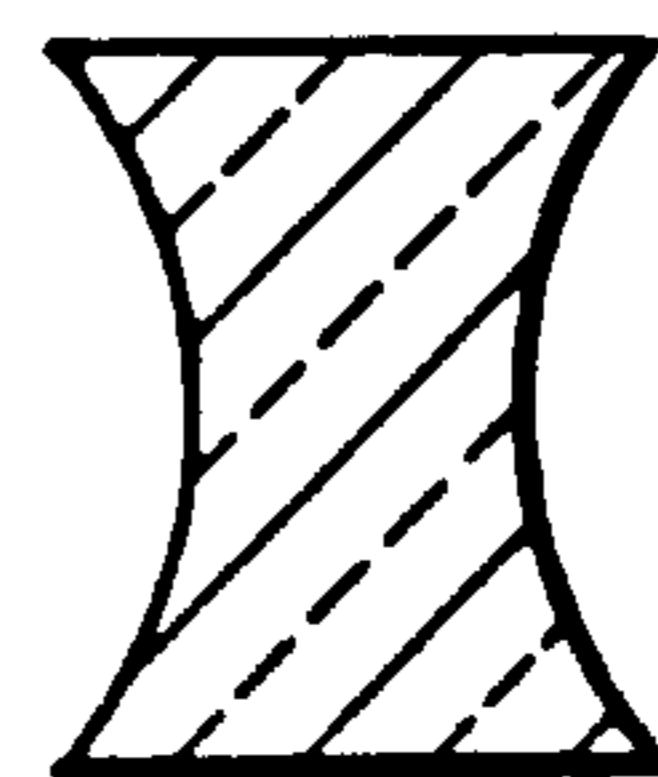
**FIG. 6**



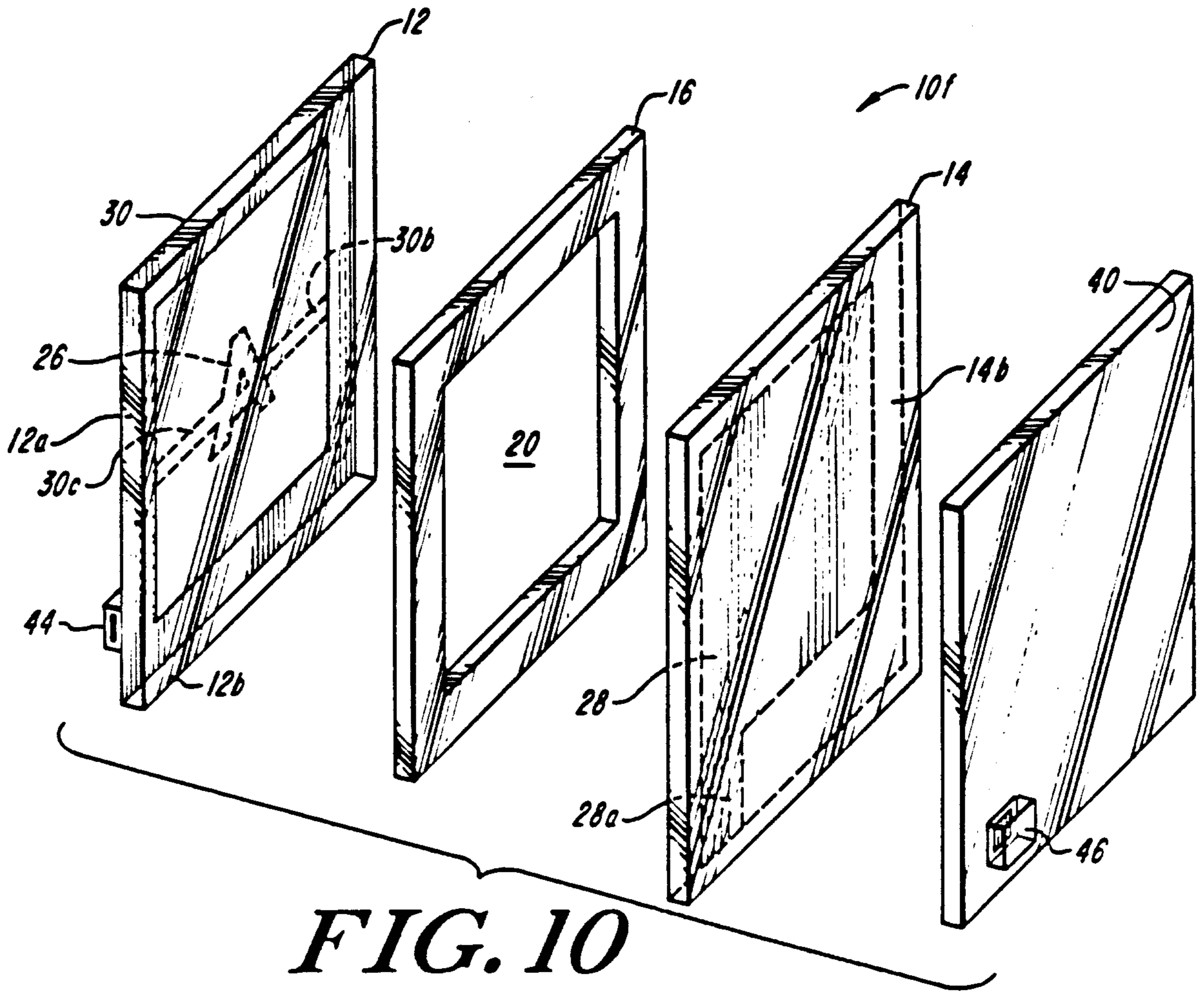
**FIG. 7**



**FIG. 8**

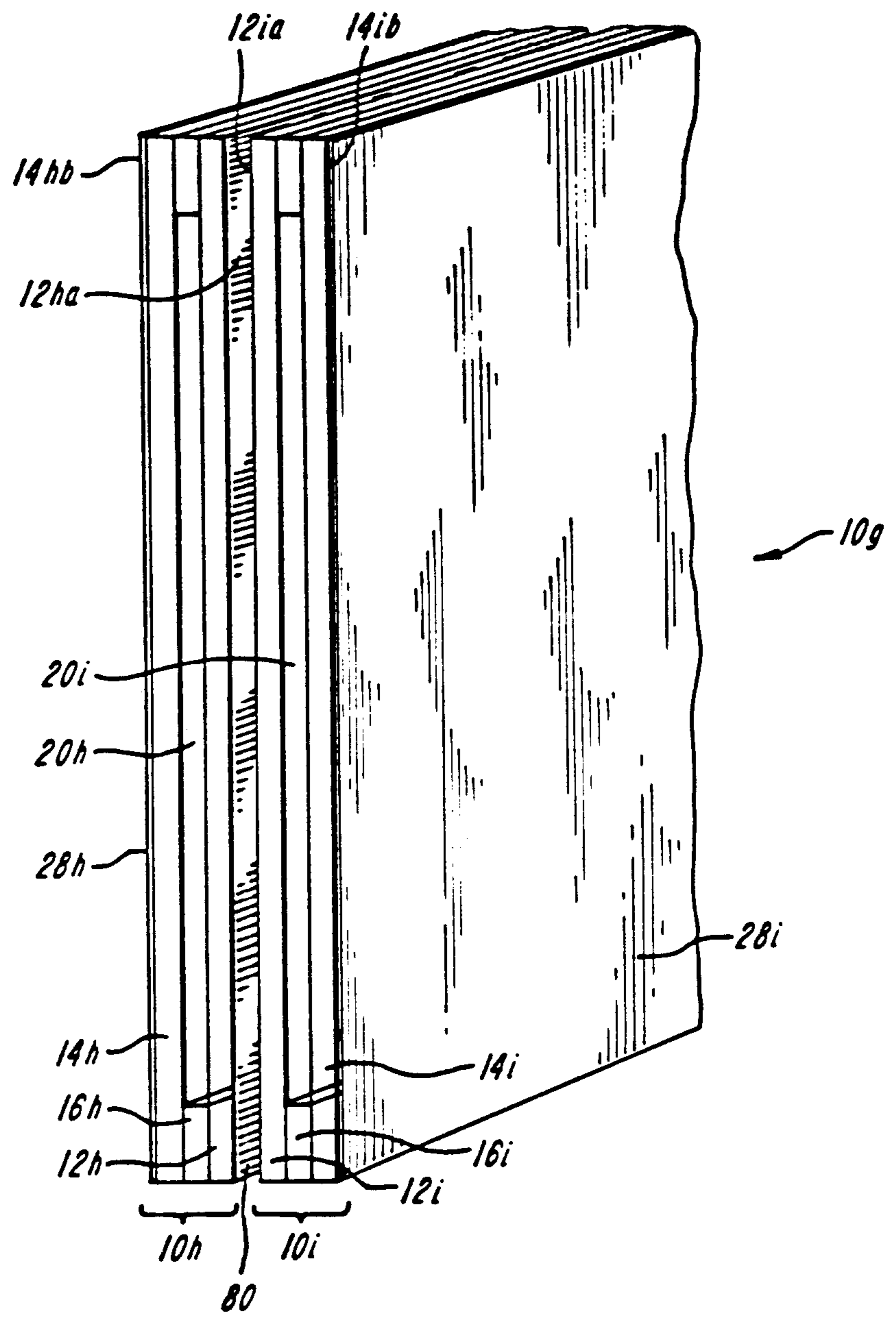


**FIG. 9**



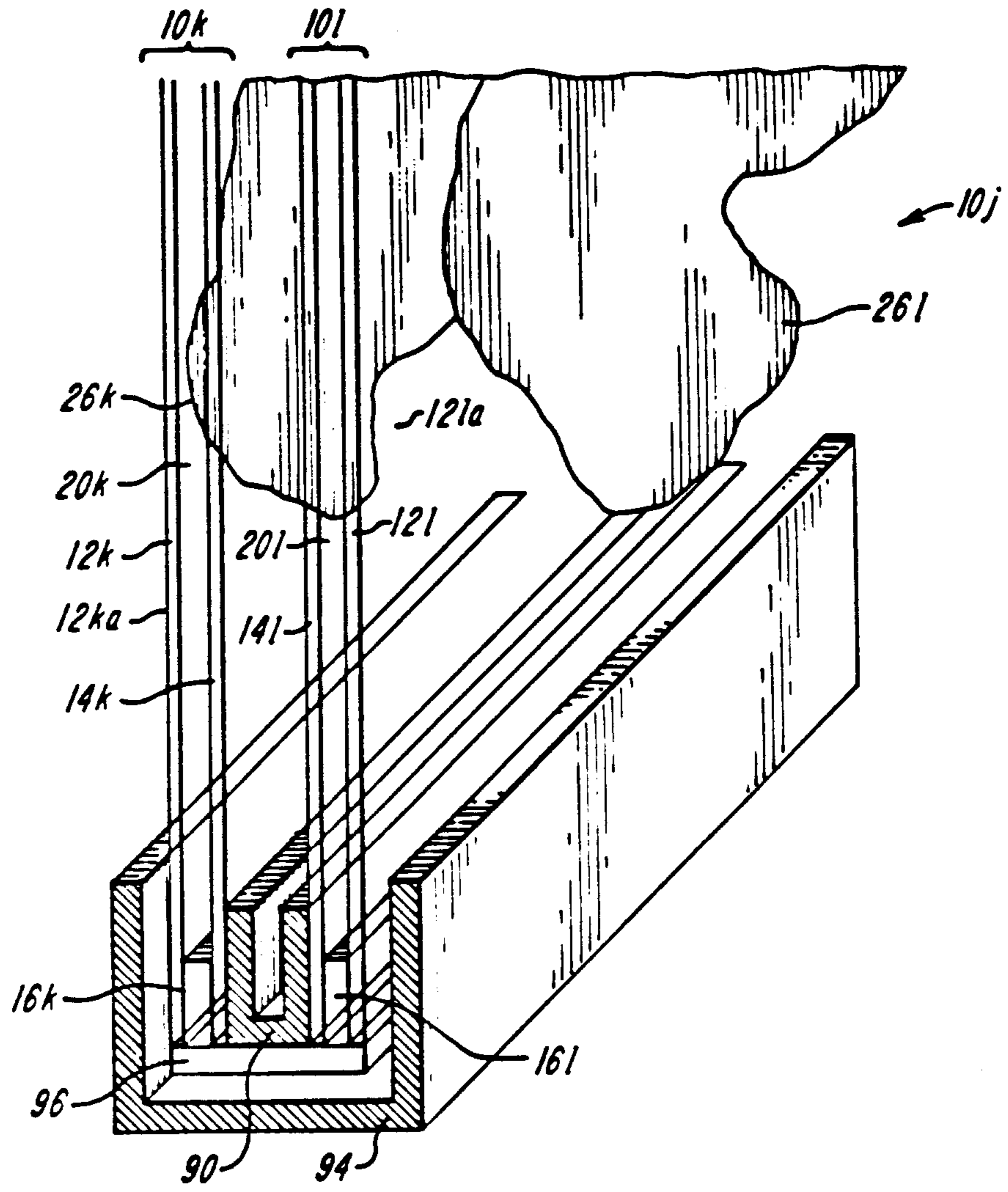
**FIG. 10**

*John H. Morgan & Co. Inc.*



**FIG. 11**

*Handwritten signature or text at the bottom right of the page.*



**FIG. 12**

*Richard W. Morgan & Associates*

