



US00D840733S

(12) **United States Design Patent**
Hale

(10) **Patent No.:** **US D840,733 S**

(45) **Date of Patent:** **** Feb. 19, 2019**

(54) **BEVERAGE BREWER**

(71) Applicant: **Robert Hale**, Scarborough (CA)

(72) Inventor: **Robert Hale**, Scarborough (CA)

(**) Term: **15 Years**

(21) Appl. No.: **29/620,475**

(22) Filed: **Jan. 6, 2017**

Related U.S. Application Data

(63) Continuation of application No. 29/505,013, filed on Apr. 21, 2015, now Pat. No. Des. 779,257.

(51) **LOC (11) Cl.** **07-01**

(52) **U.S. Cl.**
USPC **D7/306; D7/309; D7/311**

(58) **Field of Classification Search**
USPC D7/300, 309–311, 306–308, 305, 355,
D7/362, 365, 367; 222/146.6, 185.1, 135;
99/295, 273, 304, 288, 279, 307, 283,
99/315; 426/431, 231
CPC A47J 31/46; A47J 31/407; A47J 31/50;
A47J 31/18; A47J 31/00; A47J 27/04;
A47J 31/0573; A47J 31/52
See application file for complete search history.

(56) **References Cited**

U.S. PATENT DOCUMENTS

D530,560 S *	10/2006	Lin	D7/309
D595,992 S *	7/2009	Clark	D7/309
D602,303 S *	10/2009	Cahen	D7/309
D666,051 S *	8/2012	de Pra	D7/309
D718,565 S *	12/2014	Spagnolo	D7/309
D721,531 S *	1/2015	Krasne	D7/309
D728,987 S *	5/2015	Cahen	D7/309
D755,000 S *	5/2016	Lovati	D7/306
D756,696 S *	5/2016	Murphy	D7/306
D760,008 S *	6/2016	Moon	D7/306

2013/0004629 A1*	1/2013	Clark	A47J 31/4467
				426/231
2014/0342067 A1*	11/2014	Sullivan	A47J 31/3633
				426/425
2015/0201791 A1*	7/2015	Tinkler	B65D 85/8043
				426/431
2015/0335197 A1*	11/2015	Moon	A47J 31/3633
				99/295

* cited by examiner

Primary Examiner — Marianne N Pandozzi

(74) *Attorney, Agent, or Firm* — Breneman & Georges

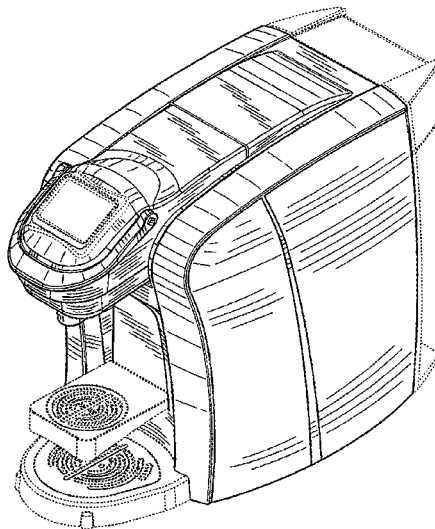
(57) **CLAIM**

The ornamental design for a beverage brewer, as shown and described.

DESCRIPTION

FIG. 1 is a front isometric view of a beverage brewer showing my new design with the tray in the deployed position;
 FIG. 2 is a rear isometric view of the beverage brewer of FIG. 1;
 FIG. 3 is a left side elevation view of the beverage brewer of FIG. 1;
 FIG. 4 is a front elevation view of the beverage brewer of FIG. 1;
 FIG. 5 is a right side elevation view of the beverage brewer of FIG. 1;
 FIG. 6 is a rear elevation view of the beverage brewer of FIG. 1;
 FIG. 7 is a top plan view of the beverage brewer of FIG. 1;
 FIG. 8 is a bottom plan view of the beverage brewer of FIG. 1; and,
 FIG. 9 is a front isometric view of the beverage brewer of FIG. 1 with the cup tray in the retracted position.
 The broken lines in the drawing depict portions of the beverage brewer that form no part of the claimed design.

1 Claim, 6 Drawing Sheets



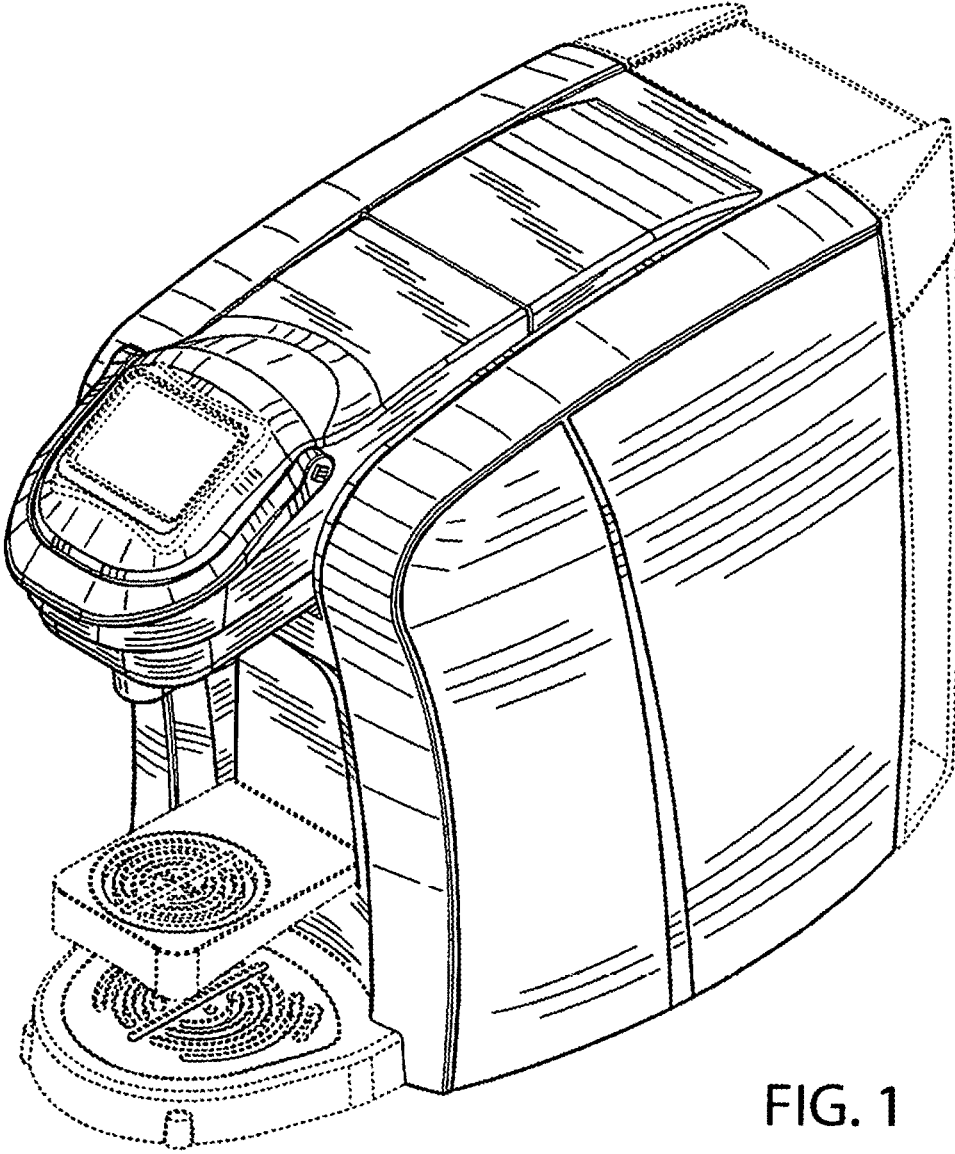
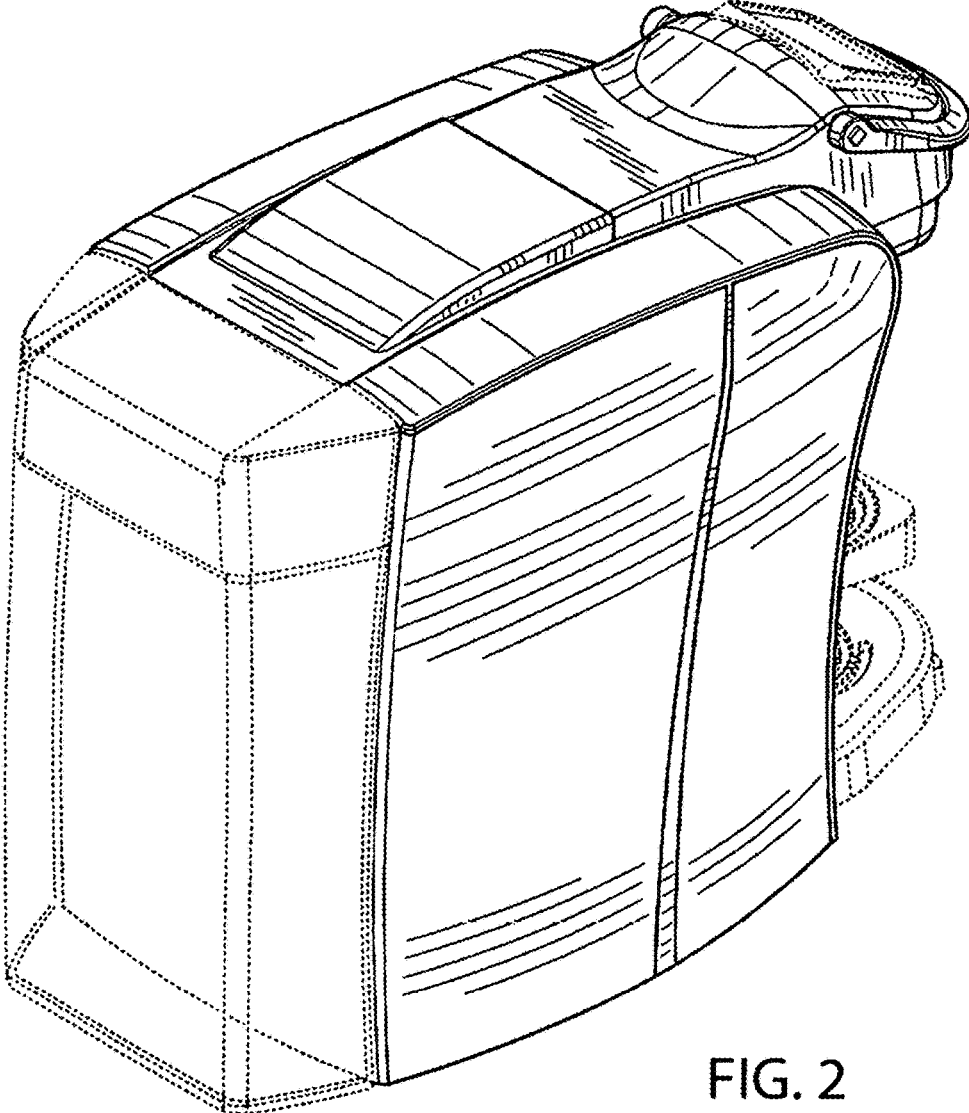


FIG. 1



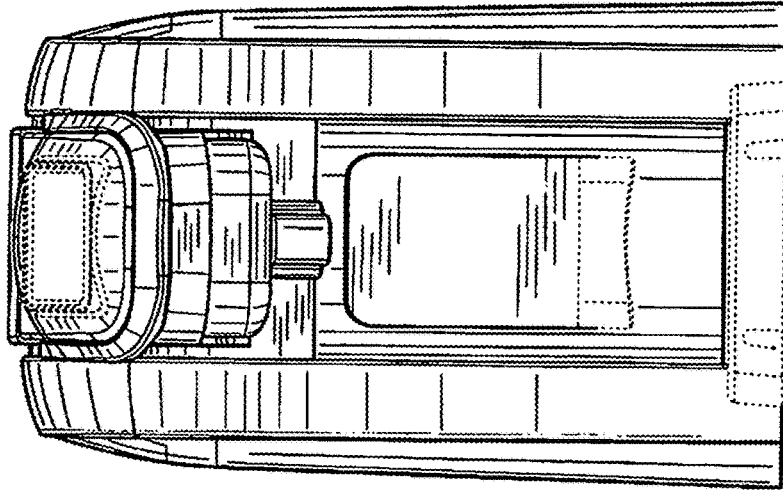


FIG. 4

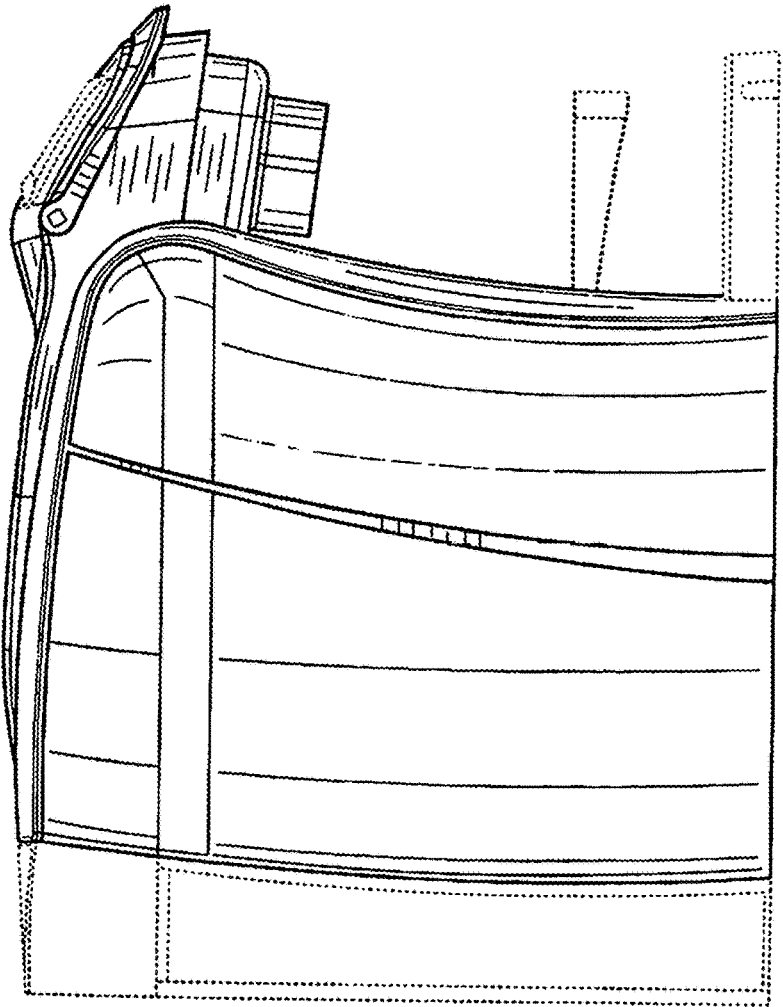


FIG. 3

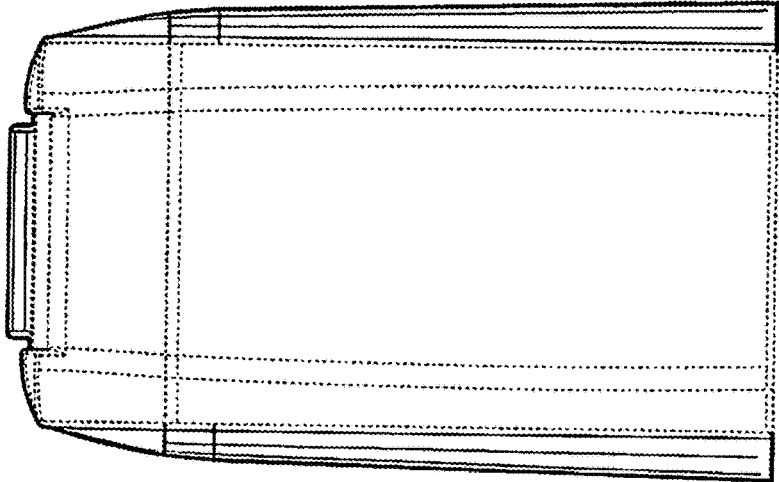


FIG. 6

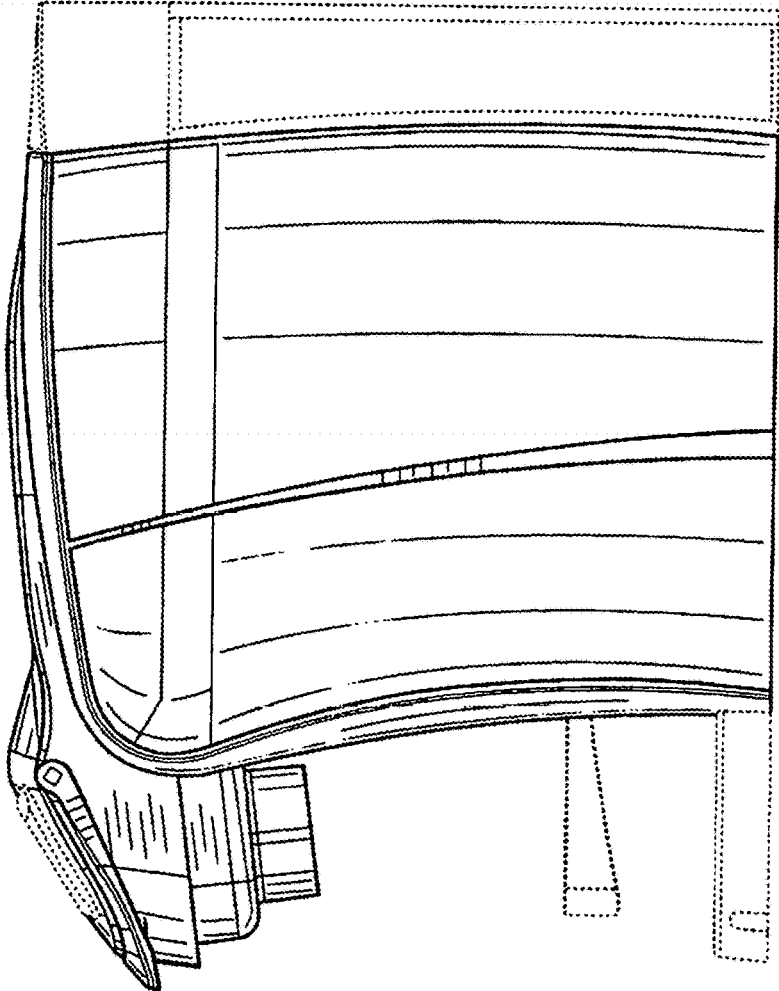


FIG. 5

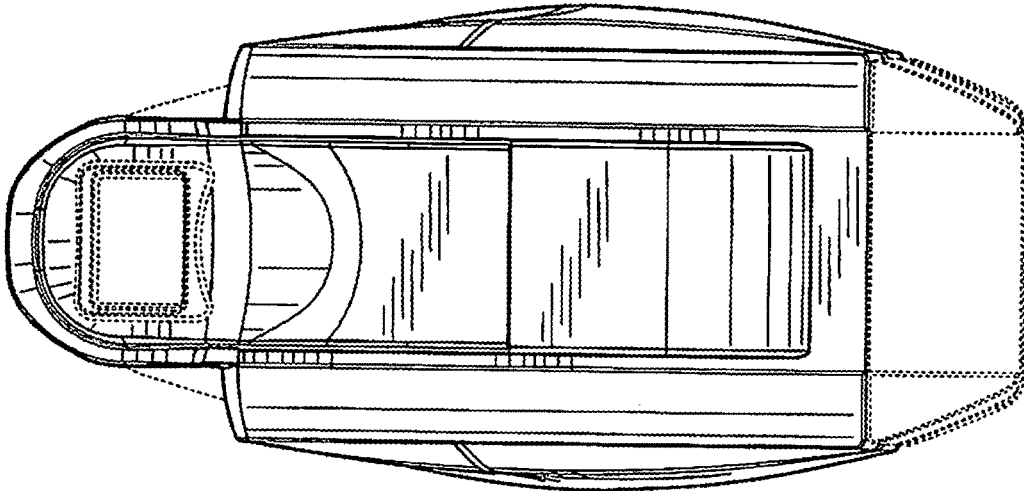


FIG. 7

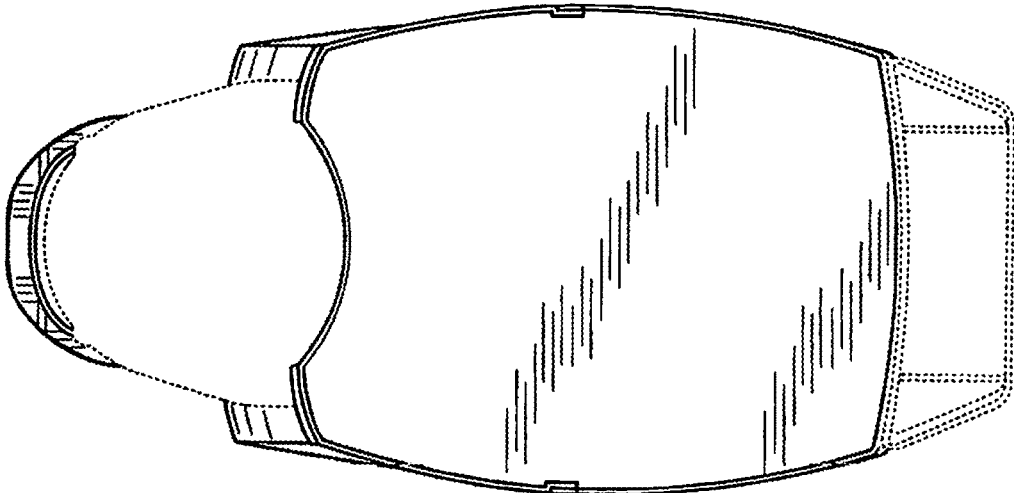


FIG. 8

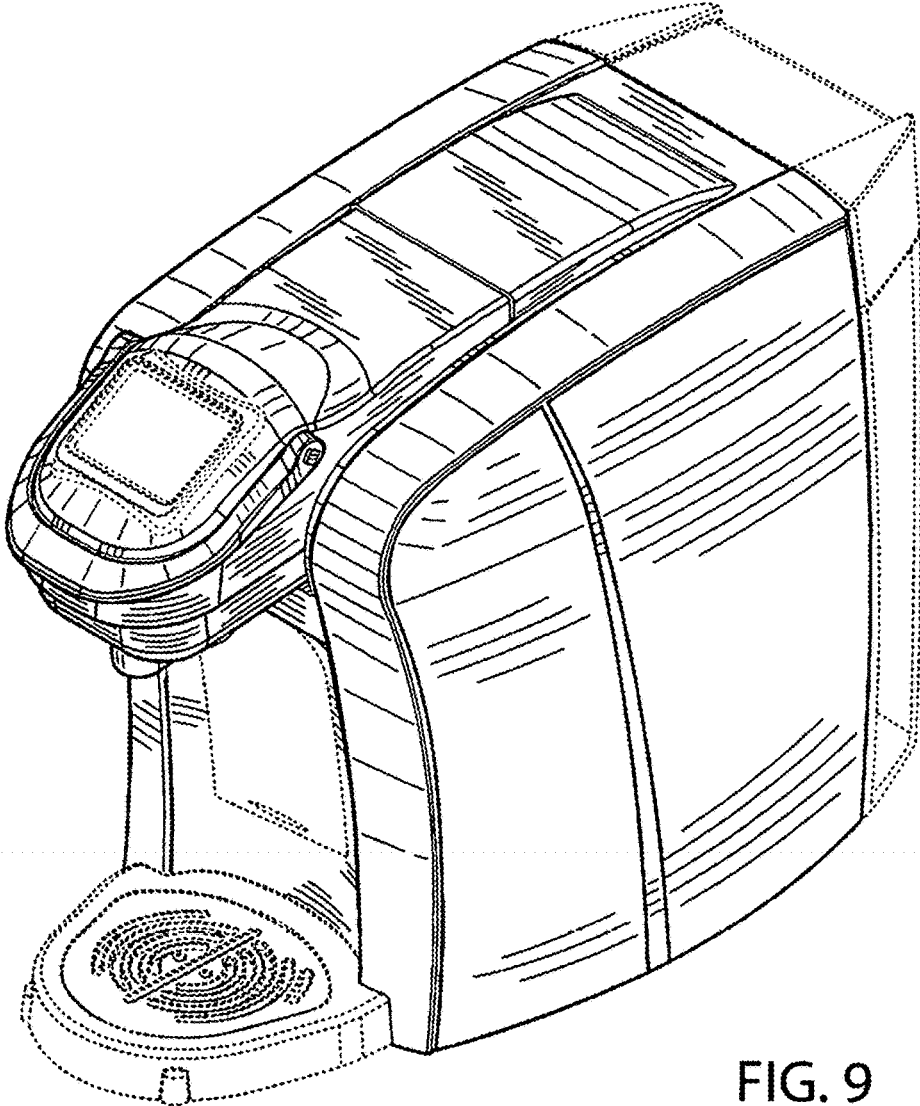


FIG. 9