



US00D750517S

(12) **United States Design Patent**
Amamiya et al.

(10) **Patent No.:** **US D750,517 S**

(45) **Date of Patent:** **** Mar. 1, 2016**

(54) **PART OF A POLARIMETER AND REFRACTOMETER**

(71) Applicant: **ATAGO CO., LTD.**, Tokyo (JP)

(72) Inventors: **Hideyuki Amamiya**, Tokyo (JP);
Masanosuke Tanaka, Tokyo (JP)

(73) Assignee: **ATAGO CO., LTD.**, Tokyo (JP)

(**) Term: **14 Years**

(21) Appl. No.: **29/499,686**

(22) Filed: **Aug. 18, 2014**

(30) **Foreign Application Priority Data**

Feb. 19, 2014 (JP) 2014-003306

(51) **LOC (10) Cl.** **10-04**

(52) **U.S. Cl.**

USPC **D10/81**

(58) **Field of Classification Search**

USPC D10/75, 78, 81

CPC G01N 21/21; G01N 21/211; G01N

2021/212; G01N 2021/213; G01N 2021/214;

G01N 2021/215; G01N 2021/216; G01N

2021/217; G01N 2021/218; G01N 21/23;

G01N 21/41; G01N 21/412; G01N 21/4133;

G01N 21/43; G01N 21/431; G01N 21/45

See application file for complete search history.

(56) **References Cited**

U.S. PATENT DOCUMENTS

D296,086 S * 6/1988 Thompson D10/75

D309,867 S * 8/1990 Johnson D10/81

D371,748 S * 7/1996 Narayanan D10/81

D584,975 S * 1/2009 Haberstroh D10/81

2003/0175157 A1 * 9/2003 Micklash et al. 422/70

* cited by examiner

Primary Examiner — Antoine D Davis

(74) *Attorney, Agent, or Firm* — Brooks Kushman P.C.

(57) **CLAIM**

The ornamental design for the part of polarimeter and refractometer, as shown and described in solid lines.

DESCRIPTION

FIG. 1 is a front and side perspective view;

FIG. 2 is a front view;

FIG. 3 is a back view;

FIG. 4 is a left view;

FIG. 5 is a right view;

FIG. 6 is a top view;

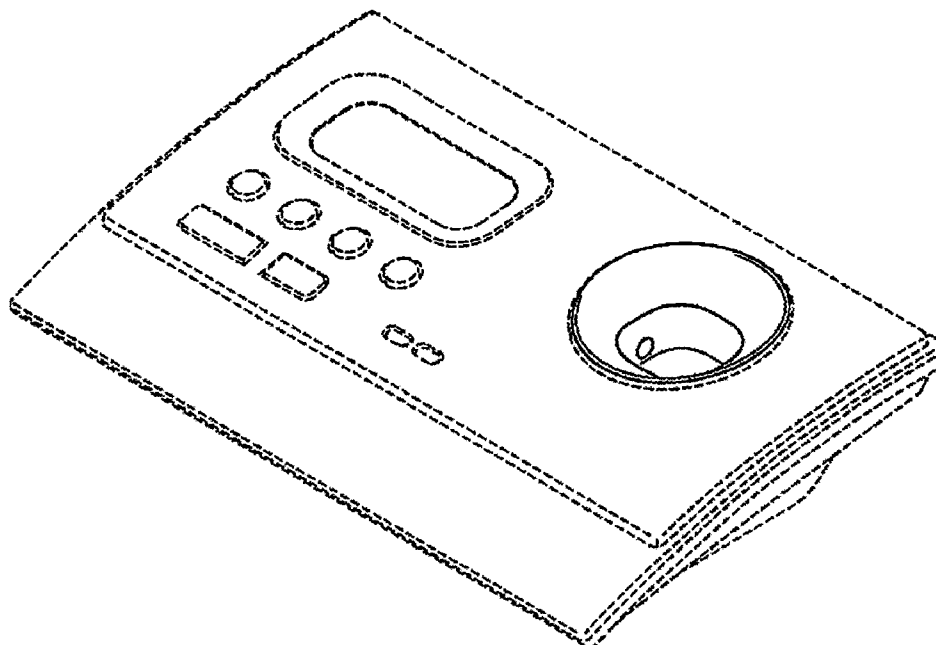
FIG. 7 is a bottom view;

FIG. 8 is a 8-8 cross sectional view; and,

FIG. 9 is a 9-9 cross sectional view.

The broken line showing of structural features is included for the purpose of illustrating non-claimed subject matter and forms no part of the claimed design.

1 Claim, 9 Drawing Sheets



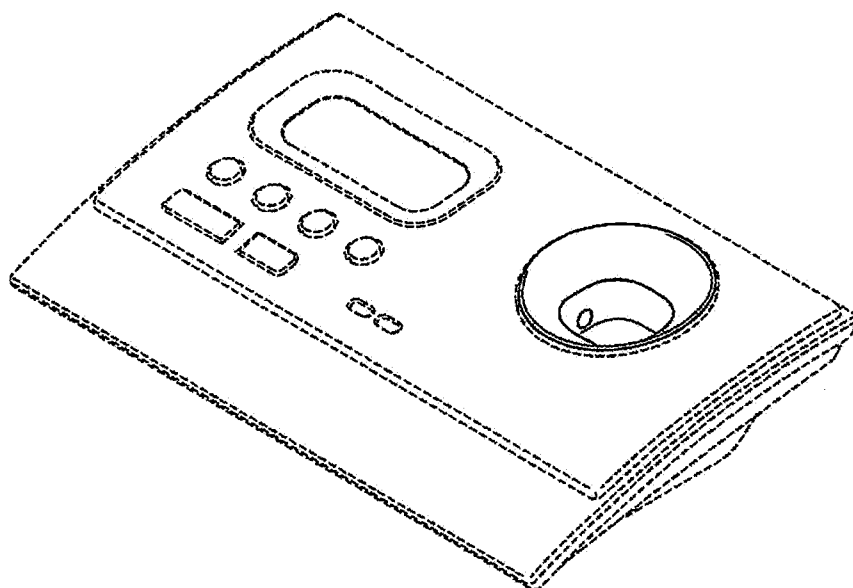


FIGURE 1

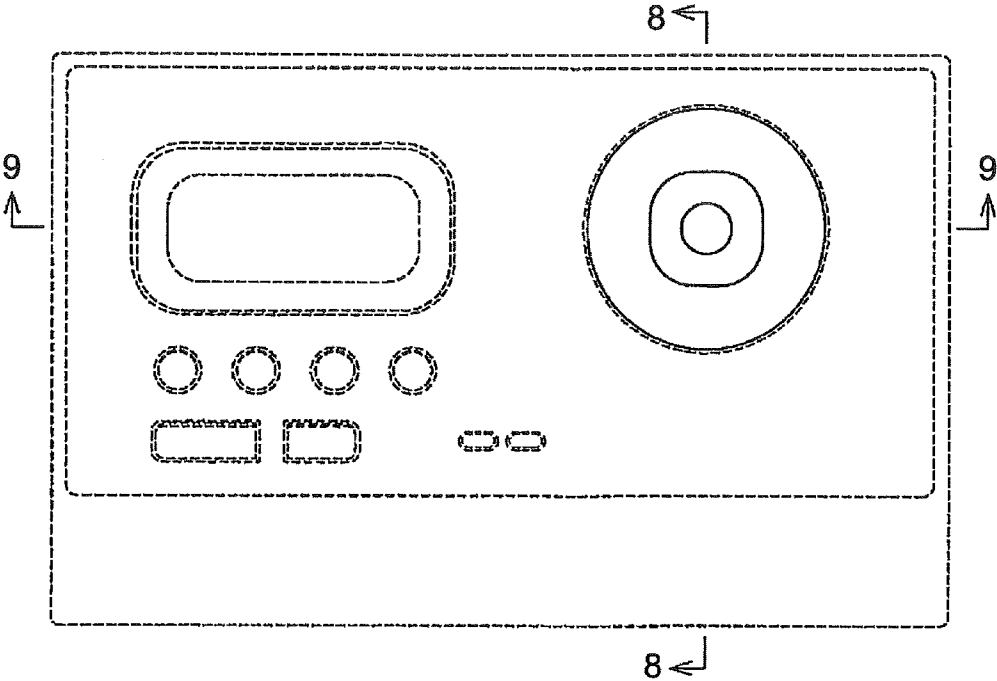


FIGURE 2

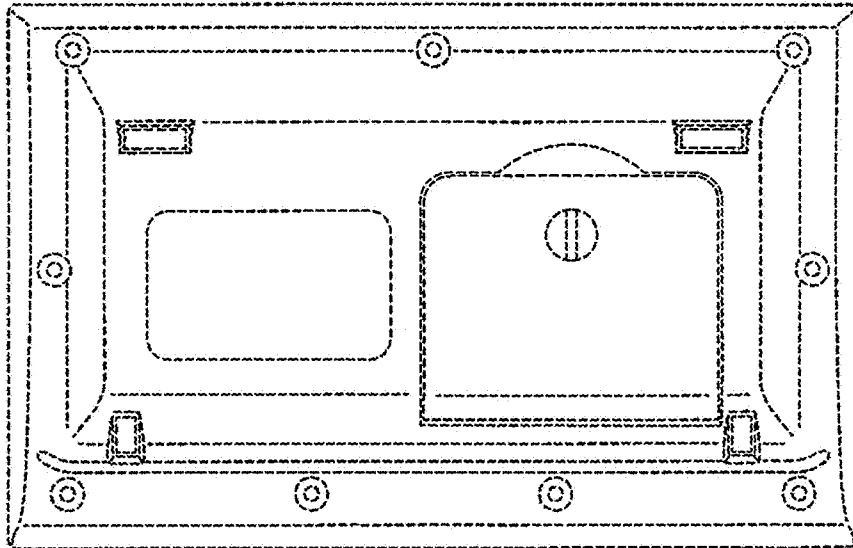


FIGURE 3

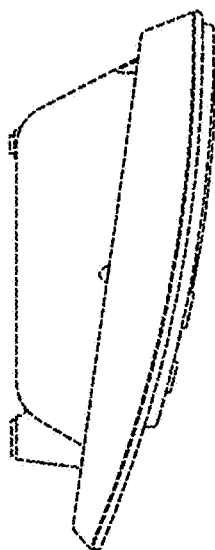


FIGURE 4

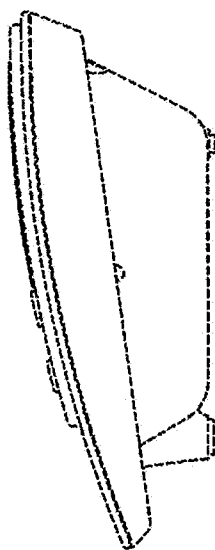


FIGURE 5

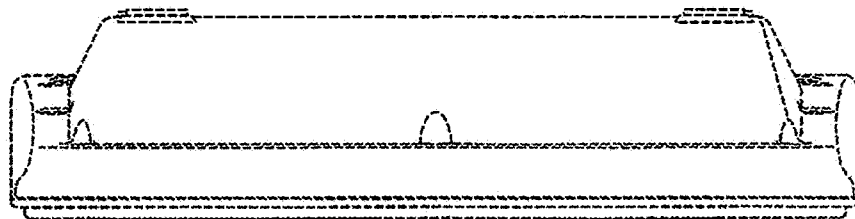


FIGURE 6

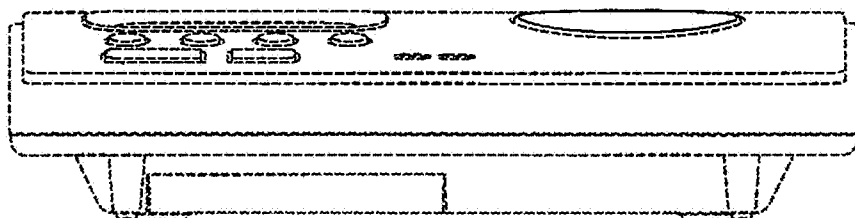


FIGURE 7

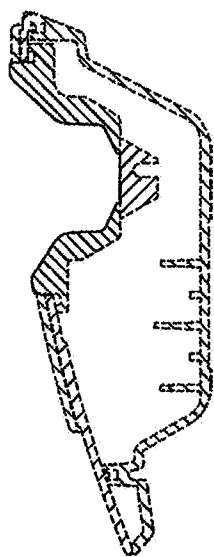


FIGURE 8

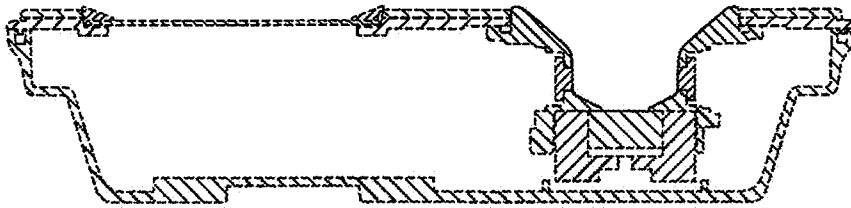


FIGURE 9