



US00D993531S

(12) **United States Design Patent**  
**Lei**

(10) **Patent No.:** **US D993,531 S**

(45) **Date of Patent:** **\*\* Jul. 25, 2023**

(54) **CHARGING BASE**

(71) Applicant: **SHENZHEN CAR KU TECHNOLOGY CO., LIMITED,**  
Guangdong (CN)

(72) Inventor: **Yun Lei,** Guangdong (CN)

(73) Assignee: **SHENZHEN CAR KU TECHNOLOGY CO., LIMITED,**  
Shenzhen (CN)

(\*\*) Term: **15 Years**

(21) Appl. No.: **29/782,635**

(22) Filed: **May 7, 2021**

(51) **LOC (14) Cl.** ..... **28-03**

(52) **U.S. Cl.**  
USPC ..... **D28/18**

(58) **Field of Classification Search**  
USPC ..... D28/12-19; D8/29.1; D13/107, 108;  
D14/148, 149, 156  
CPC ..... A45D 20/00; A45D 20/10; A45D 20/12;  
A45D 20/18; A45D 2020/128  
See application file for complete search history.

(56) **References Cited**

**U.S. PATENT DOCUMENTS**

D257,492 S \* 11/1980 Cousins ..... D28/13  
D417,430 S \* 12/1999 Ko ..... D13/107

9,756,922 B1 \* 9/2017 Duthe ..... A45D 20/12  
D914,968 S \* 3/2021 Huang ..... D28/13  
D925,825 S \* 7/2021 Lo ..... D28/13  
D934,496 S \* 10/2021 Huang ..... D28/13  
D944,728 S \* 3/2022 Bajpai ..... D13/107  
D951,963 S \* 5/2022 Memke ..... D14/453  
D952,248 S \* 5/2022 Lei ..... D28/13  
D952,940 S \* 5/2022 Mo ..... D28/13  
11,388,972 B2 \* 7/2022 Lei ..... H02J 7/0044  
D965,864 S \* 10/2022 Zhu ..... D28/13  
D965,866 S \* 10/2022 Huang ..... D28/13  
11,457,775 B2 \* 10/2022 Youn ..... A47K 10/48

\* cited by examiner

*Primary Examiner* — Zenia I Bennett

(74) *Attorney, Agent, or Firm* — Hauptman Ham, LLP

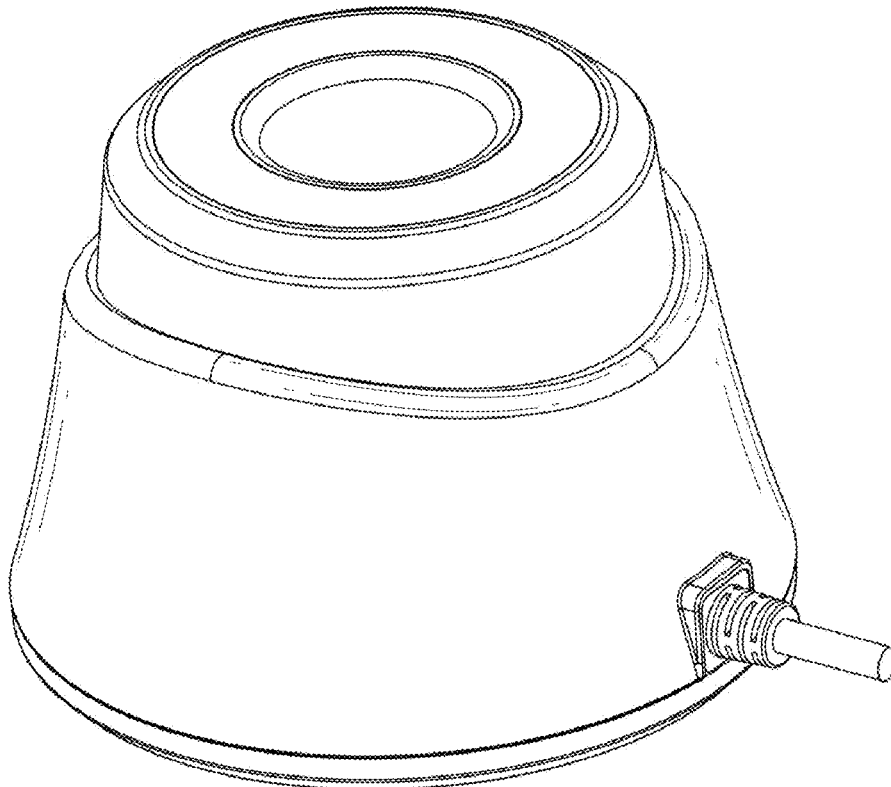
(57) **CLAIM**

The ornamental design for a charging base, as shown and described.

**DESCRIPTION**

FIG. 1 is a front view of a charging base showing my new design;  
FIG. 2 is a rear view thereof;  
FIG. 3 is a left side view thereof;  
FIG. 4 is a right side view thereof;  
FIG. 5 is a top view thereof;  
FIG. 6 is a bottom view thereof; and,  
FIG. 7 is a top, front perspective view thereof.  
The shade lines in the Figures show contour and not surface ornamentation.

**1 Claim, 7 Drawing Sheets**



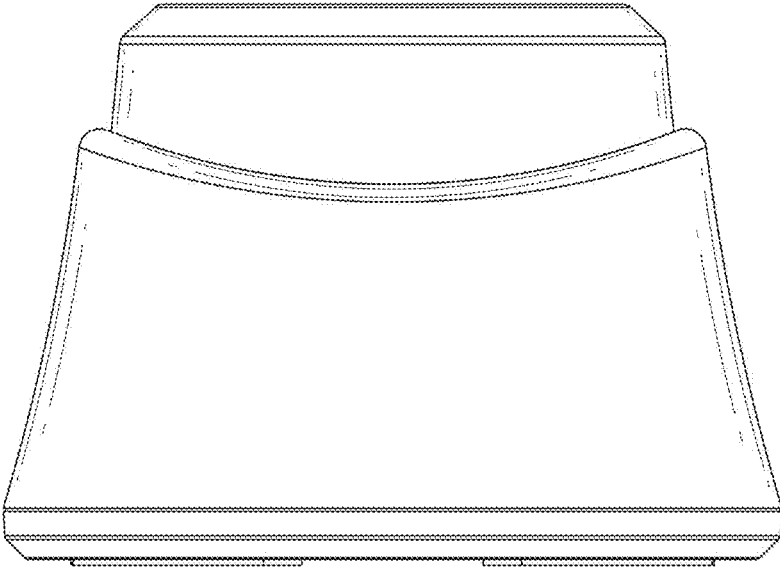


FIG.1

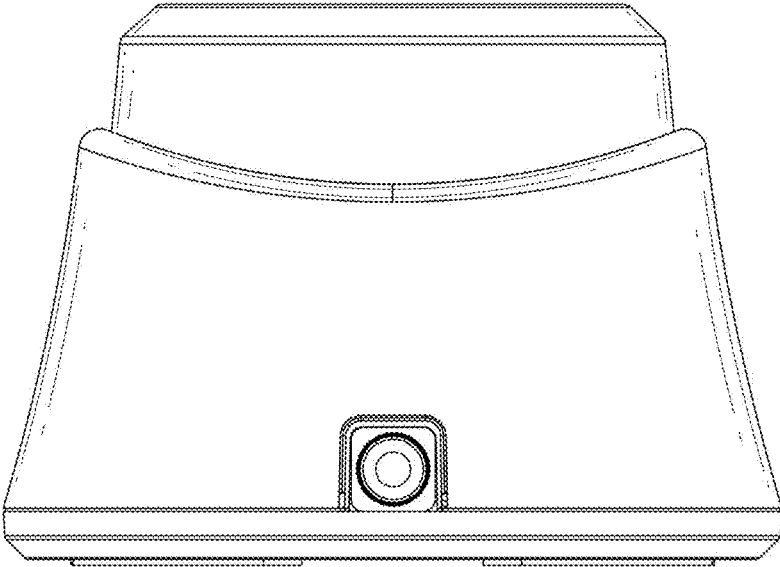


FIG.2

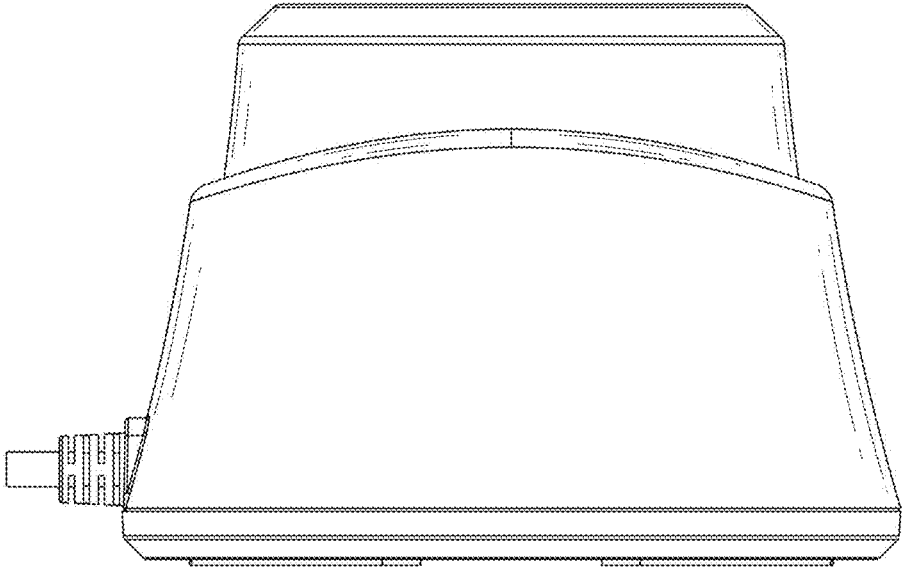


FIG.3

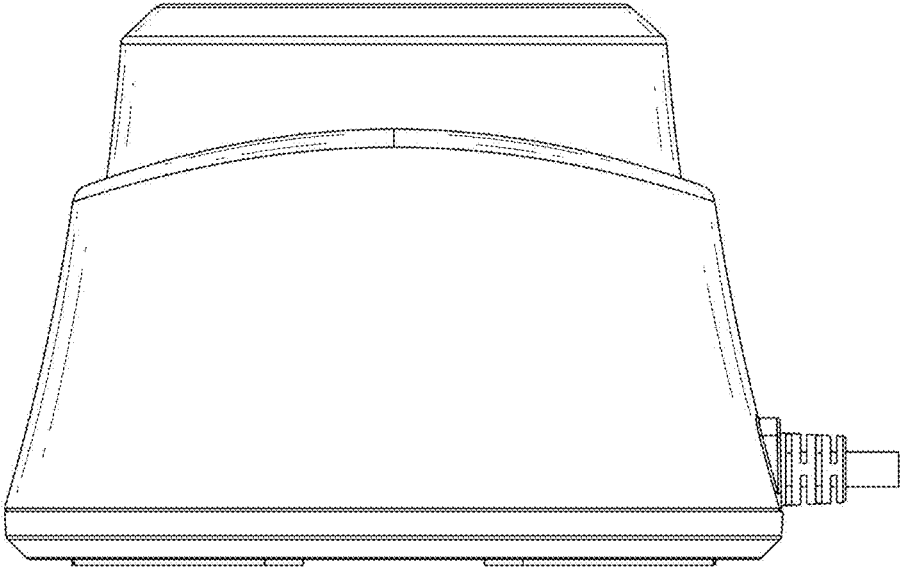


FIG.4

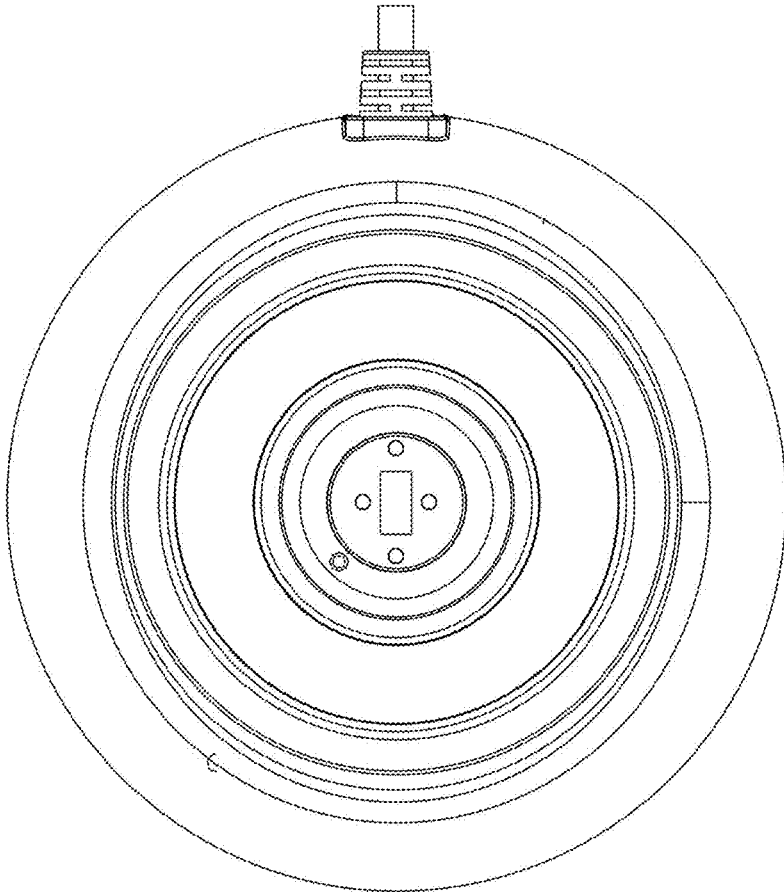


FIG.5

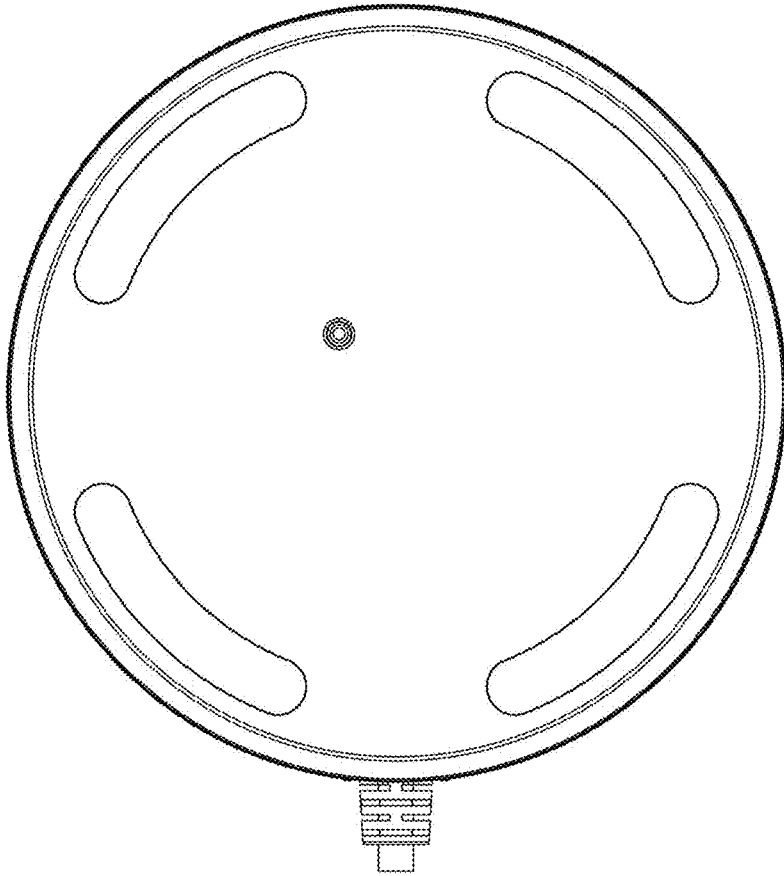


FIG.6

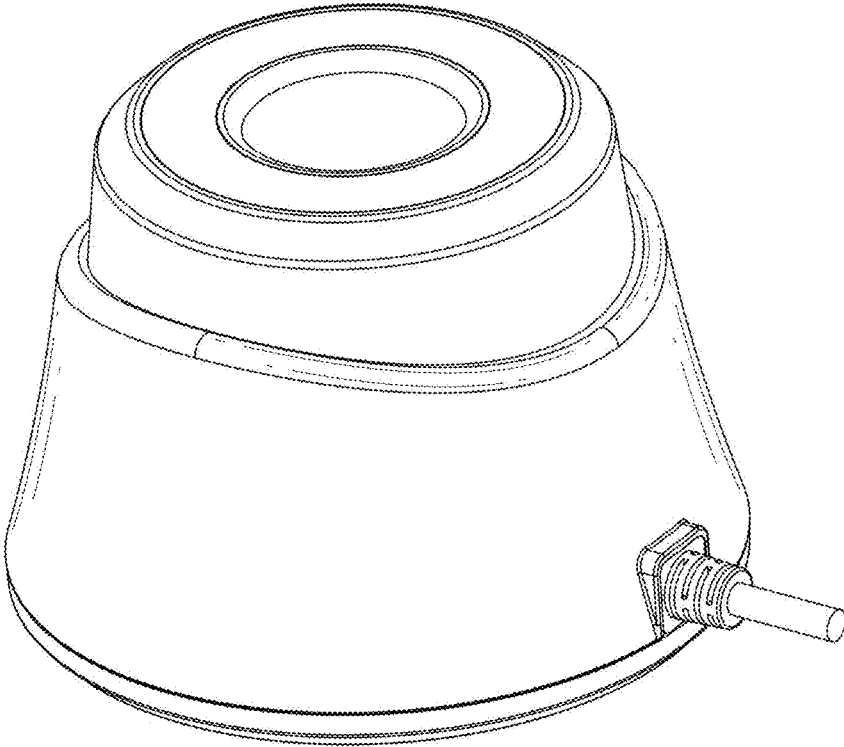


FIG.7