



- (51) International Patent Classification:
H04N 13/00 (2006.01) *H04N 19/513* (2014.01)
- (21) International Application Number:
PCT/CN2015/071606
- (22) International Filing Date:
27 January 2015 (27.01.2015)
- (25) Filing Language: English
- (26) Publication Language: English
- (30) Priority Data:
PCT/CN2014/071576
27 January 2014 (27.01.2014) CN
- (71) Applicant (for all designated States except US): **MEDI-ATEK SINGAPORE PTE. LTD.** [SG/SG]; #03-01 Solaris, No.1 Fusionopolis Walk, Singapore 138628 (SG).
- (72) Inventors; and
(71) Applicants (for US only): **AN, Jicheng** [CN/CN]; No. 44, Zhanlanguan Road, XiCheng District, Beijing 100037 (CN). **ZHANG, Kai** [CN/CN]; A1101, Dongfang Yujinxiang Building, No. 216 Tangli Road, Chaoyang District, Beijing 100013 (CN). **LIN, Jian-Liang** [CN/CN]; No.133, Neipi Rd., Nanjian Vil. Su'ao Township, Yilan County, Taiwan (CN).
- (74) Agent: **BEIJING SANYOU INTELLECTUAL PROPERTY AGENCY LTD.**; 16th Fl., Block A, Corporate Square, No.35 Jinrong Street, Beijing 100033 (CN).
- (81) Designated States (unless otherwise indicated, for every kind of national protection available): AE, AG, AL, AM, AO, AT, AU, AZ, BA, BB, BG, BH, BN, BR, BW, BY, BZ, CA, CH, CL, CN, CO, CR, CU, CZ, DE, DK, DM, DO, DZ, EC, EE, EG, ES, FI, GB, GD, GE, GH, GM, GT, HN, HR, HU, ID, IL, IN, IR, IS, JP, KE, KG, KN, KP, KR, KZ, LA, LC, LK, LR, LS, LU, LY, MA, MD, ME, MG, MK, MN, MW, MX, MY, MZ, NA, NG, NI, NO, NZ, OM, PA, PE, PG, PH, PL, PT, QA, RO, RS, RU, RW, SA, SC, SD, SE, SG, SK, SL, SM, ST, SV, SY, TH, TJ, TM, TN, TR, TT, TZ, UA, UG, US, UZ, VC, VN, ZA, ZM, ZW.
- (84) Designated States (unless otherwise indicated, for every kind of regional protection available): ARIPO (BW, GH,

[Continued on next page]

(54) Title: METHOD FOR SUB-PU MOTION INFORMATION INHERITANCE IN 3D VIDEO CODING

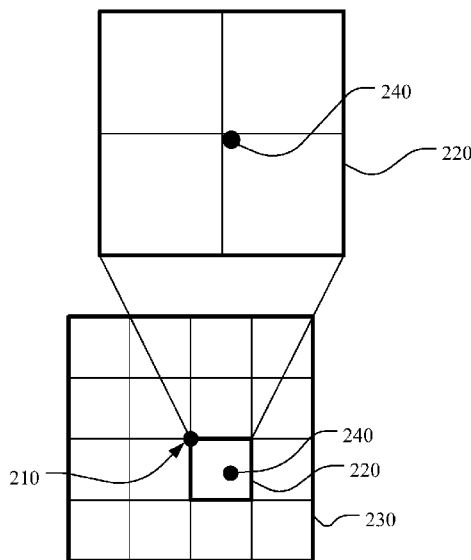


Fig. 2B

(57) Abstract: A method and apparatus for coding a depth block in three-dimensional video coding are disclosed. Embodiments of the present invention divide a depth block into depth sub-blocks and determine default motion parameters. For each depth sub-block, the motion parameters of a co-located texture block covering the center sample of the depth sub-block are determined. If the motion parameters are available, the motion parameters are assigned as inherited motion parameters for the depth sub-block. If the motion parameters are unavailable, the default motion parameters are assigned as inherited motion parameters for the depth sub-block. The depth sub-block is then encoded or decoded using the inherited motion parameters or a motion candidate selected from a motion candidate set including the inherited motion parameters. The depth block may correspond to a depth prediction unit (PU) and the depth sub-block corresponds to a depth sub-PU.

GM, KE, LR, LS, MW, MZ, NA, RW, SD, SL, ST, SZ,
TZ, UG, ZM, ZW), Eurasian (AM, AZ, BY, KG, KZ, RU,
TJ, TM), European (AL, AT, BE, BG, CH, CY, CZ, DE,
DK, EE, ES, FI, FR, GB, GR, HR, HU, IE, IS, IT, LT,
LU, LV, MC, MK, MT, NL, NO, PL, PT, RO, RS, SE,

SI, SK, SM, TR), OAPI (BF, BJ, CF, CG, CI, CM, GA,
GN, GQ, GW, KM, ML, MR, NE, SN, TD, TG).

Published:

— with international search report (Art. 21(3))

METHOD FOR SUB-PU MOTION INFORMATION INHERITANCE IN 3D VIDEO CODING

5

CROSS REFERENCE TO RELATED APPLICATIONS

[0001] The present invention claims priority to PCT Patent Application, Serial No. PCT/CN2014/071576, filed on January 27, 2014, entitled “Methods for Motion Parameter Hole Filling”. The PCT Patent Application is hereby incorporated by reference in its entirety.

10

FIELD OF THE INVENTION

[0002] The present invention relates to three-dimensional video coding. In particular, the present invention relates to depth coding using motion information inherited from texture pictures in three-dimensional video coding.

15

BACKGROUND AND RELATED ART

[0003] Three-dimensional (3D) television has been a technology trend in recent years that intends to bring viewers sensational viewing experience. Various technologies have been developed to enable 3D viewing. The multi-view video is a key technology for 3DTV application among others. The traditional video is a two-dimensional (2D) medium that only provides viewers a single view of a scene from the perspective of the camera. However, the multi-view video is capable of offering arbitrary viewpoints of dynamic scenes and provides viewers the sensation of realism. 3D video formats may also include depth maps associated with corresponding texture pictures. The depth maps also have to be coded to rendering three-dimensional view or multi-view.

[0004] Various techniques to improve the coding efficiency of 3D video coding have been disclosed in the field. There are also development activities to standardize the coding techniques. For example, a working group, ISO/IEC JTC1/SC29/WG11 within ISO (International Organization for Standardization) is developing an HEVC (High Efficiency Video Coding) based 3D video coding standard (named 3D-HEVC). In 3D-HEVC, a technique named *motion parameter inheritance* (MPI) has been developed (e.g., Gerhard Tech, et al., “3D-HEVC Draft Text 2”, Joint Collaborative Team on 3D Video Coding Extension Development of ITU-T SG 16 WP 3 and ISO/IEC JTC 1/SC 29/WG 11, 6th Meeting: Geneva,

CH, 25 Oct. - 1 Nov. 2013, Document: JCT3V-F1001) to allow depth maps to inherit motion information from texture pictures. The basic idea behind the MPI mode is that the motion characteristics of the video signal and its associated depth map should be similar, since both correspond to projections of the same scenery from the same viewpoint at the same time
5 instant. In order to enable efficient encoding of the depth map data, the MPI mode is used to allow the depth map data to inherit the coding unit (CU) and prediction unit (PU) partitions and corresponding motion parameters from the corresponding video signal. The motion vectors of the video signal according to HEVC use quarter-sample accuracy. On the other hand, the motion vectors of the depth maps use full-sample accuracy. Therefore, in the inheritance
10 process, the motion vectors of the video signal are quantized to nearest full-sample positions, which can be implemented by a right-shift-by-2 operation. The decision regarding whether to inherit motion information from the video signal or to use own motion information can be made adaptively for each block of the depth map.

[0005] The MPI mode can be used in any level of the hierarchical coding-tree block of the
15 depth map. If the MPI mode is indicated at a higher level of the depth map coding tree, the depth map data in this higher level unit can inherit the CU/PU subdivision as well as the corresponding motion data from the video signal. In a more recent development within Joint Collaborative Team on 3D Video Coding Extension, sub-PU (sub-prediction unit) level MPI has been disclosed (Ying Chen, et al., “*CE2: Sub-PU based MPI*”, Joint Collaborative Team on
20 3D Video Coding Extension Development of ITU-T SG 16 WP 3 and ISO/IEC JTC 1/SC 29/WG 11, 7th Meeting: San Jose, US, 11–17 Jan. 2014, Document: JCT3V-G0119). With the sub-PU level MPI merge candidate, for each sub-PU within current depth PU, the motion parameters of the co-located texture block covering the middle position of current sub-PU are inherited (with a right shift by 2 of the motion vectors) for current sub-PU.

[0006] As stated above, the sub-PU MPI derives motion parameters of each sub-PU from
25 the motion parameters of the co-located texture block (reference block) in the same access unit. One set of temporary motion parameters are stored and updated during sub-PU MPI process. For each sub-PU, if motion parameters of the reference block for the current sub-PU are available, temporary motion parameters are updated with the motion parameters of the
30 reference block. Otherwise, if the reference block has no available motion parameters, the temporary motion parameters are copied to the current sub-PU. This process is called the motion parameter hole filling process.

[0007] The current sub-PU motion hole filling process uses temporary motion parameters
for a sub-PU when the corresponding reference block has no available motion parameter

(motion hole). Fig. 1 illustrates an example of motion hole filling according to an existing approach. In this example, the current depth PU (110) is partitioned into 16 sub-PUs. For each sub-PU, the motion parameters of the co-located texture block (120) covering the middle position of each sub-PU are inherited if the motion parameters of the co-located texture block exist. If the motion parameters of the co-located texture block are not available, the co-located texture block has a motion hole. There are two motion holes (block 2 and block 12 as highlighted in filled patterns) in the co-located blocks. If the sub-PUs are processed in a raster scan order as shown in reference 130, the motion hole can be filled by the last available MPI before the motion hole. Accordingly, the motion parameters for sub-PU 2 can be filled using the motion parameters from sub-PU 1, and the motion parameters for sub-PU 12 can be filled using the motion parameters from sub-PU 11. As shown in Fig. 1, to fill the motion hole, the sub-PU motion hole filling process needs to identify the last sub-PU position that has available motion parameters before the motion hole. Therefore, the motion parameters used to fill a motion hole are dependent on the sub-PU processing order, which is not friendly to parallel processing.

BRIEF SUMMARY OF THE INVENTION

[0008] A method and apparatus for coding a depth block in three-dimensional video coding are disclosed. Embodiments of the present invention divide a depth block into depth sub-blocks and determine default motion parameters. For each depth sub-block, the motion parameters of a co-located texture block covering the center sample of the depth sub-block are determined. If the motion parameters are available, the motion parameters are assigned as inherited motion parameters for the depth sub-block. If the motion parameters are unavailable, the default motion parameters are assigned as inherited motion parameters for the depth sub-block. The depth sub-block is then encoded or decoded using the inherited motion parameters or a motion candidate selected from a motion candidate set including the inherited motion parameters. The depth block may correspond to a depth prediction unit (PU) and the depth sub-block corresponds to a depth sub-PU. The center sample of the current depth sub-block may correspond to a depth sample in a lower-right quadrant of the current depth sub-block and adjacent to a center point of the current depth sub-block.

[0009] The default motion parameters can be determined based on the motion parameters associated with a co-located texture block covering a selected depth sub-block of the multiple depth sub-blocks. For example, the selected depth sub-block of the multiple depth sub-blocks may correspond to a center depth sub-block of the multiple depth sub-blocks located at a lower-right position of the center point of the depth block. The selected depth sub-block of the

multiple depth sub-blocks may also correspond to a center depth sub-block of the multiple depth sub-blocks located at a lower-left, upper-left or upper-right position of the center point of the depth block. If both the default motion parameters and the motion parameters of the co-located texture block covering the center sample of the current depth sub-block are
5 unavailable, the inherited motion parameters for the current depth sub-block are set to unavailable.

[0010] The default motion parameter can be used as the representative motion parameter for pruning with other merge candidates in 3D-HEVC. Furthermore, the motion candidate set pruning can be disabled if the depth sub-block size is smaller than a threshold.

10

BRIEF DESCRIPTION OF THE DRAWINGS

[0011] Fig. 1 illustrates an example of motion hole filling process according to the existing three-dimensional video coding based on High Efficiency Video Coding (3D-HEVC).

[0012] Fig. 2A illustrates an example of motion hole filling process to use the motion
15 parameters of a co-located texture block associated with the center sub-PU corresponding to the sub-PU at a lower-right position of the center point of the PU to determine default motion parameters according to an embodiment of the present invention.

[0013] Fig. 2B illustrates an example of the default motion parameter derivation based on motion parameters of the co-located texture block covering the center sample of the sub-PU at
20 a lower-right position of the center point of the PU, where the location of the center sample of the sub-PU corresponds to a lower right sample of the center point of the sub-PU.

[0014] Fig. 3 illustrates an exemplary flowchart of a three-dimensional coding system incorporating default motion parameters for motion hole filling process according to an
25 embodiment of the present invention.

25

DETAILED DESCRIPTION OF THE INVENTION

[0015] In the conventional 3D-HEVC, the Motion Parameter Inheritance (MPI) hole filling process for a motion hole relies on the last available MPI before the motion hole. Therefore, the motion parameters of a motion hole are dependent on the sub-PU processing order, which is
30 not friendly to parallel processing. To overcome this issue, embodiments of the present invention use default motion parameters for motion hole filling so that motion prediction for each sub-PU can be done in parallel. Furthermore, pruning of motion candidates does not need to wait for all sub-PUs to determine inherited motion parameters. Accordingly, for each sub-PU within the current PU, if its corresponding reference block does not contain available

motion parameters, default motion parameters are used for the sub-PU. The motion information associated with a PU or sub-PU includes one or more of the motion vector(s), reference picture index(es), reference picture list(s), etc. The motion information associated with each PU or sub-PU is referred as motion parameters in this disclosure.

5 [0016] The default motion parameters may be determined according to the motion parameters of the co-located texture reference block associated with a selected depth sub-PU. Furthermore, the co-located texture reference block may correspond to a reference block covering a center sample of the selected depth sub-PU. The selected depth sub-PU may correspond to any sub-PU in the depth PU. However, it is preferred to select a depth sub-PU in
 10 the center of the PU. For example, the center sub-PU may correspond to the sub-PU at a lower-right position (220) of the center point (210) of the PU (230) as shown in Fig. 2A. Nevertheless, other center depth sub-PU may also be selected. For example, the center sub-PU of the PU may correspond to the sub-block located in a lower-left, upper-right or upper-left position of the center point (210). In other words, the center sub-PU corresponds to the sub-PU
 15 in the respective quadrant and adjacent to the center point (210) of the current PU. While a prediction unit (PU) is used as an example of block structure, other block structure such as coding unit (CU) or macroblock (MB) may also be used.

[0017] One example of determining the default motion parameters is disclosed as follows. If the co-located texture block covering the center of a depth PU has available motion
 20 parameters, the available motion parameters are used as the default motion parameters. For example, if $nPSW$ and $nPSH$ are the width and height of the PU, and $nSubPsW$ and $nSubPsH$ are the width and height of the sub-PU, the center pixel (x_c, y_c) can be determined according to:

$$x_c = (nPSW/nSubPsW/2)*nSubPsW + nSubPsW/2, \text{ and} \quad (1)$$

$$y_c = (nPSH/nSubPsH/2)*nSubPsH + nSubPsH/2. \quad (2)$$

25 [0018] Fig. 2B illustrates an example of the default motion parameter derivation based on the motion parameters of the co-located texture block covering the center sample of the sub-PU at a lower-right position of the center point of the PU. The location of the center sample (240) of the sub-PU at a lower-right position (220) of the center point (210) of the PU is determined according to equations (1) and (2). In the example of Fig. 2B, both $nPSW/nSubPsW$ and
 30 $nPSH/nSubPsH$ are equal to 4.

[0019] If the texture block covering the center pixel has no available motion parameters, the sub_PU MPI process is terminated.

[0020] In another embodiment, the motion hole filling process can be dependent on the PU size or CU (coding unit) size. For example, the motion hole filling process will performed only

when the PU or CU size is equal to or larger than a threshold. If the PU or CU size is smaller than the threshold, the motion hole filling process is terminated.

[0021] The inherited motion parameters can be used for encoding or decoding the depth sub-PUs. The inherited motion parameters may also be used as a motion candidate along with
5 other motion candidates in a candidate set for sub-PUs. Usually, a pruning process will be applied to the candidate set when a new candidate is added. A final motion candidate may be selected. The final candidate may be used for encoding or decoding of the depth sub-PUs. The final candidate may also be used as a predictor to encode or decode the motion information associated the depth sub-PUs. For example, the final candidate may be used as a Merge
10 candidate to code the motion vector for the depth sub-PU.

[0022] The performance of motion parameter inheritance incorporating an embodiment of the present invention is compared with the performance of an anchor system corresponding to JCT3V-G0119. The performance comparison is performed based on different sets of test data. The embodiment of the present invention demonstrates slight improvement in terms of
15 BD-rate, where the BD-rate is a commonly used performance measure in the field of video compression.

[0023] Fig. 3 illustrates an exemplary flowchart for processing a depth block in a three-dimensional coding system incorporating motion information inheritance according to an embodiment of the present invention. The system receives input data associated with a current
20 depth block of a depth map as shown in step 310. At an encoder side, the input data corresponds to the depth block to be coded. At a decoder side, the input data corresponds to coded depth data to be decoded. The input data may be retrieved from storage such as a computer memory, buffer (RAM or DRAM) or other media. The input data may also be received from a processor such as a controller, a central processing unit, a digital signal processor or electronic circuits that derives the input data. The current depth block is divided into multiple depth sub-blocks as
25 shown in step 320 and default motion parameters are determined in step 330. At the encoder side, the encoder may determine how to divide the block into sub-blocks. Information associated with block partition may have to be incorporated in the bitstream so that a decoder may correctly partition the block. Alternatively, the block partition may be pre-defined or
30 determined implicitly so that there is no need to transmit the partition information in the bitstream. The first motion parameters associated with a first co-located texture block covering a center sample of the current depth sub-block are determined as shown in step 340. Since the texture data in the same access unit is coded before the depth data, the motion parameters associated with a corresponding texture block should be processed already. In step 350, a

decision is made regarding whether the first motion parameters are available. If the result is “yes”, step 360 is performed. If the result is “No”, step 370 is performed. In step 360, the first motion parameters are assigned as inherited motion parameters for the current depth sub-block. In step 370, the default motion parameters are assigned as the inherited motion parameters for the current depth sub-block. Then, coding or decoding is applied to the current depth sub-block using the inherited motion parameters or a motion candidate selected from a motion candidate set including the inherited motion parameters as shown in step 380. In step 390, it checks whether all depth sub-blocks have been process. If the result is “Yes”, the process for the depth block is terminated. If the result is “No”, the process goes to step 340 to process another depth sub-block.

[0024] The flowchart shown above is intended to illustrate an example of motion parameter inheritance according to an embodiment of the present invention. A person skilled in the art may modify each step, re-arranges the steps, split a step, or combine steps to practice the present invention without departing from the spirit of the present invention.

[0025] The above description is presented to enable a person of ordinary skill in the art to practice the present invention as provided in the context of a particular application and its requirement. Various modifications to the described embodiments will be apparent to those with skill in the art, and the general principles defined herein may be applied to other embodiments. Therefore, the present invention is not intended to be limited to the particular embodiments shown and described, but is to be accorded the widest scope consistent with the principles and novel features herein disclosed. In the above detailed description, various specific details are illustrated in order to provide a thorough understanding of the present invention. Nevertheless, it will be understood by those skilled in the art that the present invention may be practiced.

[0026] Embodiment of the present invention as described above may be implemented in various hardware, software codes, or a combination of both. For example, an embodiment of the present invention can be one or more electronic circuits integrated into a video compression chip or program code integrated into video compression software to perform the processing described herein. An embodiment of the present invention may also be program code to be executed on a Digital Signal Processor (DSP) to perform the processing described herein. The invention may also involve a number of functions to be performed by a computer processor, a digital signal processor, a microprocessor, or field programmable gate array (FPGA). These processors can be configured to perform particular tasks according to the invention, by executing machine-readable software code or firmware code that defines the particular

methods embodied by the invention. The software code or firmware code may be developed in different programming languages and different formats or styles. The software code may also be compiled for different target platforms. However, different code formats, styles and languages of software codes and other means of configuring code to perform the tasks in accordance with the invention will not depart from the spirit and scope of the invention.

[0027] The invention may be embodied in other specific forms without departing from its spirit or essential characteristics. The described examples are to be considered in all respects only as illustrative and not restrictive. The scope of the invention is therefore, indicated by the appended claims rather than by the foregoing description. All changes which come within the meaning and range of equivalency of the claims are to be embraced within their scope.

CLAIMS

1.A method for coding a depth block in three-dimensional video coding, the method comprising:

receiving input data associated with a current depth block of a depth map;

5 dividing the current depth block into multiple depth sub-blocks;

determining default motion parameters;

for a current depth sub-block:

determining first motion parameters associated with a first co-located texture block covering a center sample of the current depth sub-block;

10 if the first motion parameters are available, assigning the first motion parameters as inherited motion parameters for the current depth sub-block;

if the first motion parameters are unavailable, assigning the default motion parameters as the inherited motion parameters for the current depth sub-block; and

15 applying coding or decoding to the current depth sub-block using the inherited motion parameters or a motion candidate selected from a motion candidate set including the inherited motion parameters.

2.The method of Claim 1, wherein the current depth block corresponds to a depth prediction unit (PU) and the current depth sub-block corresponds to a depth sub-PU.

3.The method of Claim 1, wherein said determining the default motion parameters
20 corresponds to identifying the default motion parameters based on second motion parameters associated with a co-located texture block covering a selected depth sub-block of the multiple depth sub-blocks.

4.The method of Claim 3, wherein the selected depth sub-block of the multiple depth sub-blocks corresponds to a center depth sub-block of the multiple depth sub-blocks located in
25 a lower-right quadrant of the current depth block and adjacent to a center point of the current depth block.

5.The method of Claim 3, wherein if both the default motion parameters and the first motion parameters are unavailable, the inherited motion parameters for the current depth sub-block are set to unavailable.

30 6.The method of Claim 3, wherein the selected depth sub-block of the multiple depth sub-blocks corresponds to a center depth sub-block of the multiple depth sub-blocks located in

a lower-left, upper-right or upper-left quadrant of the current depth block and adjacent to a center point of the current depth block.

5 7.The method of Claim 1, wherein said applying coding or decoding to the current depth sub-block comprises pruning the motion candidate set including the inherited motion parameters.

8.The method of Claim 7, wherein said pruning the motion candidate set is disabled when a current depth sub-block size is smaller than a threshold size.

10 9.The method of Claim 1, wherein the center sample of the current depth sub-block corresponds to a depth sample in a lower-right quadrant of the current depth sub-block and adjacent to a center point of the current depth sub-block.

10.An apparatus for coding a depth block in a three-dimensional video coding system, the apparatus comprising one or more electronic circuits configured to:

receive input data associated with a current depth block of a depth map;

divide the current depth block into multiple depth sub-blocks;

15 determine default motion parameters;

for a current depth sub-block:

determine first motion parameters associated with a first co-located texture block covering a center sample of the current depth sub-block;

20 if the first motion parameters are available, assign the first motion parameters as inherited motion parameters for the current depth sub-block;

if the first motion parameters are unavailable, assign the default motion parameters as the inherited motion parameters for the current depth sub-block; and

25 apply coding or decoding to the current depth sub-block using the inherited motion parameters or a motion candidate selected from a motion candidate set including the inherited motion parameters.

11.The apparatus of Claim 10, wherein the current depth block corresponds to a depth prediction unit (PU) and the current depth sub-block corresponds to a depth sub-PU.

30 12.The apparatus of Claim 10, wherein said determining the default motion parameters corresponds to identifying the default motion parameters based on second motion parameters associated with a co-located texture block covering a selected depth sub-block of the multiple depth sub-blocks.

13.The apparatus of Claim 12, wherein the selected depth sub-block of the multiple depth sub-blocks corresponds to a center depth sub-block of the multiple depth sub-blocks located in

a lower-right quadrant of the current depth block and adjacent to a center point of the current depth block.

14. The apparatus of Claim 12, wherein if both the default motion parameters and the first motion parameters are unavailable, the inherited motion parameters for the current depth sub-block are set to unavailable.

15. The apparatus of Claim 12, wherein the selected depth sub-block of the multiple depth sub-blocks corresponds to a center depth sub-block of the multiple depth sub-blocks located in a lower-left, upper-right or upper-left quadrant of the current depth block and adjacent to a center point of the current depth block.

16. The apparatus of Claim 10, wherein the motion candidate set is pruned.

17. The apparatus of Claim 16, wherein pruning of the motion candidate set is disabled when a current depth sub-block size is smaller than a threshold size.

18. The apparatus of Claim 10, wherein the center sample of the current depth sub-block corresponds to a depth sample in a lower-right quadrant of the current depth sub-block and adjacent to a center point of the current depth sub-block.

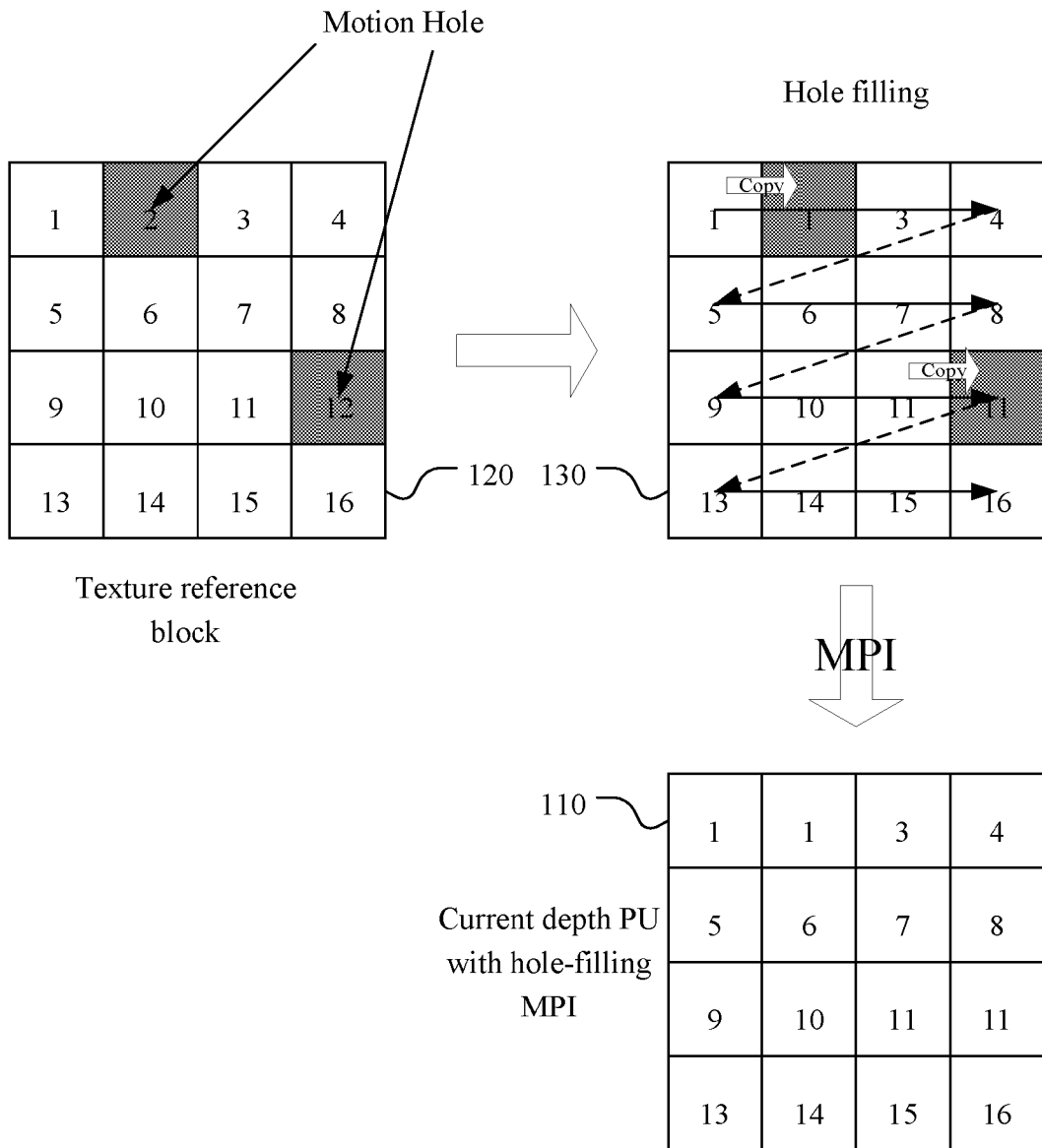


Fig. 1

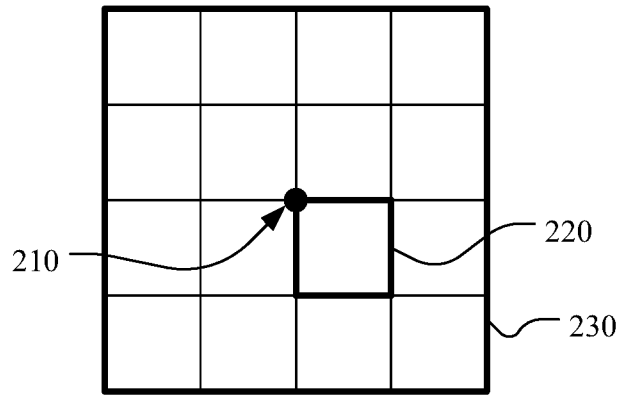


Fig. 2A

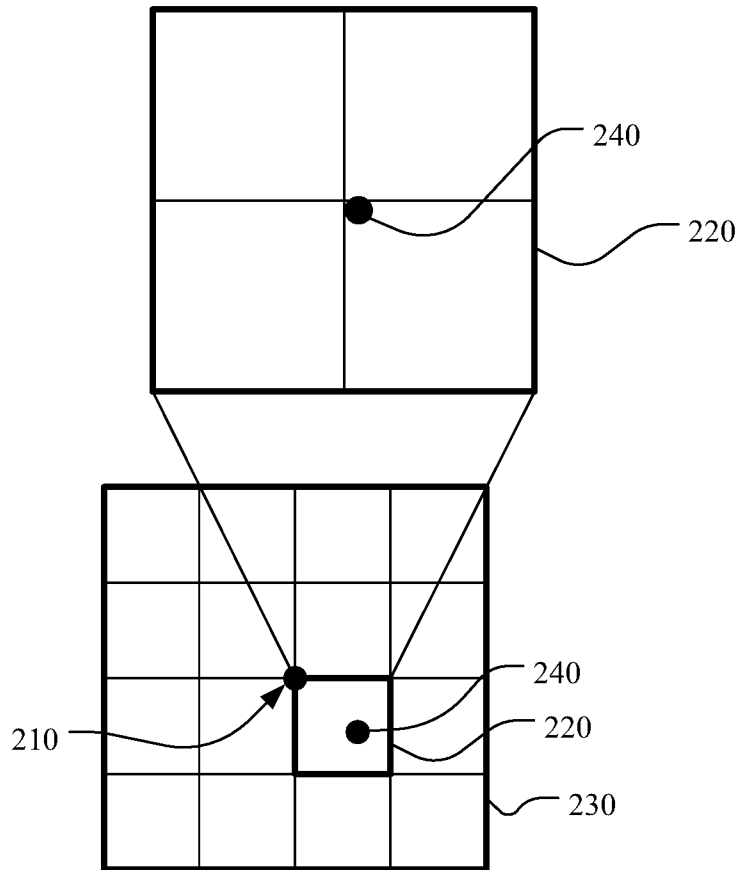


Fig. 2B

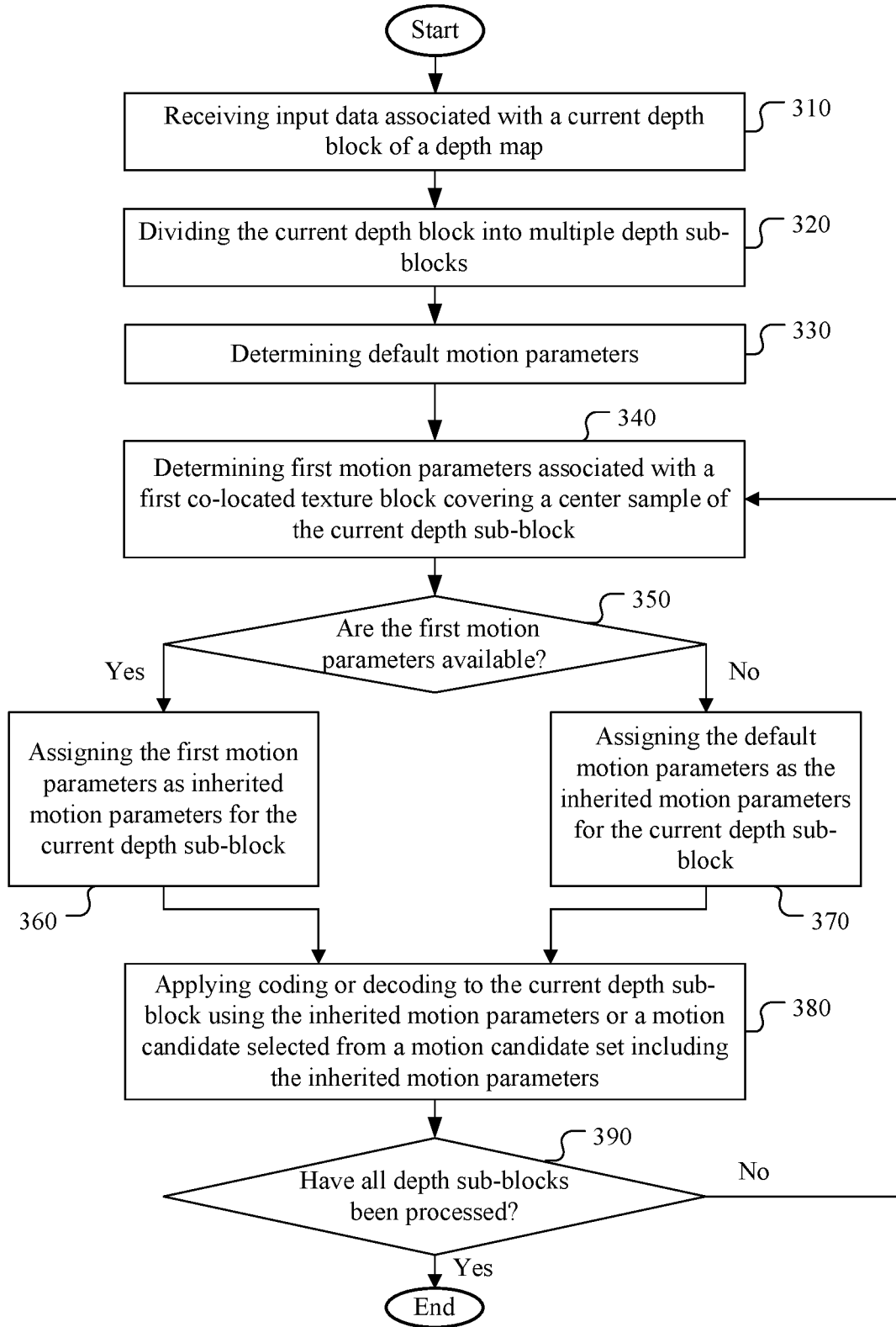


Fig. 3

INTERNATIONAL SEARCH REPORT

International application No.

PCT/CN2015/071606

A. CLASSIFICATION OF SUBJECT MATTER

H04N 13/00(2006.01)i; H04N 19/513(2014.01)i

According to International Patent Classification (IPC) or to both national classification and IPC

B. FIELDS SEARCHED

Minimum documentation searched (classification system followed by classification symbols)

H04N; G06T

Documentation searched other than minimum documentation to the extent that such documents are included in the fields searched

Electronic data base consulted during the international search (name of data base and, where practicable, search terms used)

CNPAT,CNKI,WPI,EPODOC: depth, motion, movement, parameter, vector, co-located, code, encode, block, inherit, three dimension, 3D, stereo

C. DOCUMENTS CONSIDERED TO BE RELEVANT

Category*	Citation of document, with indication, where appropriate, of the relevant passages	Relevant to claim No.
A	CN 101911700 A (THOMSON LICENSING) 08 December 2010 (2010-12-08) description, paragraphs [0116]-[0125]	1-18
A	US 2011069760 A1 (SAMSUNG ELECTRONICS CO., LTD.) 24 March 2011 (2011-03-24) the whole document	1-18
A	WO 2010043773 A1 (NOKIA CORP.) 22 April 2010 (2010-04-22) the whole document	1-18
A	CN 102356637 A (THOMSON LICENSING) 15 February 2012 (2012-02-15) the whole document	1-18
A	CHEN, Ying et al. "CE2: Sub-PU based MPI" <i>Joint Collaborative Team on 3D Video Coding Extensions of ITU-T SG 16 WP 3 and ISO/IEC JTC 1/SC 29/WG 11, 7th Meeting: San Jose, US, 11-17 Jan. 2014,</i> 17 January 2014 (2014-01-17), ISSN: JCT3V-G0119, sections 1-2	1-18

 Further documents are listed in the continuation of Box C. See patent family annex.

* Special categories of cited documents:

"A" document defining the general state of the art which is not considered to be of particular relevance

"E" earlier application or patent but published on or after the international filing date

"L" document which may throw doubts on priority claim(s) or which is cited to establish the publication date of another citation or other special reason (as specified)

"O" document referring to an oral disclosure, use, exhibition or other means

"P" document published prior to the international filing date but later than the priority date claimed

"T" later document published after the international filing date or priority date and not in conflict with the application but cited to understand the principle or theory underlying the invention

"X" document of particular relevance; the claimed invention cannot be considered novel or cannot be considered to involve an inventive step when the document is taken alone

"Y" document of particular relevance; the claimed invention cannot be considered to involve an inventive step when the document is combined with one or more other such documents, such combination being obvious to a person skilled in the art

"&" document member of the same patent family

Date of the actual completion of the international search

07 April 2015

Date of mailing of the international search report

28 April 2015

Name and mailing address of the ISA/CN

STATE INTELLECTUAL PROPERTY OFFICE OF THE
P.R.CHINA(ISA/CN)
6,Xitucheng Rd., Jimen Bridge, Haidian District, Beijing
100088, China

Authorized officer

XU,Wei

Facsimile No. (86-10)62019451

Telephone No. (86-10)82246597

INTERNATIONAL SEARCH REPORT
Information on patent family members

International application No.

PCT/CN2015/071606

Patent document cited in search report			Publication date (day/month/year)	Patent family member(s)			Publication date (day/month/year)
CN	101911700	A	08 December 2010	JP	2011509631	A	24 March 2011
				WO	2009091383	A2	23 July 2009
				WO	2009091383	A3	11 September 2009
				US	2010284466	A1	11 November 2010
				JP	2014003682	A	09 January 2014
				KR	20100105877	A	30 September 2010
				EP	2232875	A2	29 September 2010
US	2011069760	A1	24 March 2011	KR	20110032048	A	30 March 2011
WO	2010043773	A1	22 April 2010	EP	2338281	A4	15 August 2012
				CN	102257818	B	29 October 2014
				CN	102257818	A	23 November 2011
				EP	2338281	A1	29 June 2011
				US	2011216833	A1	08 September 2011
CN	102356637	A	15 February 2012	EP	2384584	A1	09 November 2011
				KR	20110122817	A	11 November 2011
				WO	2010087955	A1	05 August 2010
				JP	2012516637	A	19 July 2012
				US	2011273529	A1	10 November 2011