



US00D573834S

(12) **United States Design Patent**
Iwasaki et al.

(10) **Patent No.:** **US D573,834 S**

(45) **Date of Patent:** **** Jul. 29, 2008**

(54) **TEA KETTLE**

(75) Inventors: **Ichiro Iwasaki**, Tokyo (JP); **Jason Quinn**, Tokyo (JP)

(73) Assignee: **WKI Holding Company, Inc.**, Rosemont, IL (US)

(**) Term: **14 Years**

(21) Appl. No.: **29/273,675**

(22) Filed: **Mar. 9, 2007**

(51) **LOC (8) Cl.** **07-01**

(52) **U.S. Cl.** **D7/318; D7/317; D7/321; D7/322**

(58) **Field of Classification Search** **D7/300, D7/317, 318, 320, 321, 322, 312; 222/475, 222/474, 470, 144.5, 146.6**

See application file for complete search history.

(56) **References Cited**

U.S. PATENT DOCUMENTS

65,757 A	6/1867	Knuschke
1,173,989 A	2/1916	Thalman et al.
1,193,157 A	8/1916	Krause et al.
1,486,802 A	3/1924	Royse
1,576,811 A	3/1926	Clark
1,646,154 A	10/1927	Kroll
1,658,645 A	2/1928	McGee
1,938,527 A	12/1933	Marelli
1,954,983 A	4/1934	Brown
D95,354 S	4/1935	Kircher
2,014,582 A	9/1935	Putz
2,169,239 A	8/1939	Hacmac
2,276,917 A	3/1942	Bernhardt
2,501,142 A	3/1950	Reichart
2,574,876 A	11/1951	Lebus
2,590,596 A	3/1952	Ziskin et al.
2,620,948 A	12/1952	Ziskin et al.

2,624,493 A	1/1953	Porter
2,638,253 A	5/1953	Mueller
2,666,556 A	1/1954	Ziskin et al.
2,670,107 A	2/1954	Welden

(Continued)

FOREIGN PATENT DOCUMENTS

GB 152461 10/1920

(Continued)

OTHER PUBLICATIONS

U.S. Appl. No. 11/117,963, entitled "Automatic Ink Refill System and Methods".

Primary Examiner—Marianne Pandozzi

(74) *Attorney, Agent, or Firm*—McDermott Will & Emery LLP

(57) **CLAIM**

We claim the ornamental design for a tea kettle, as shown and described.

DESCRIPTION

FIG. 1 is a perspective view of a tea kettle according to the new design;

FIG. 2 is a left side view of the tea kettle shown in FIG. 1, the opposed right side view being a mirror image thereof;

FIG. 3 is a front view of the tea kettle shown in FIG. 1;

FIG. 4 is a top view of the tea kettle shown in FIG. 1;

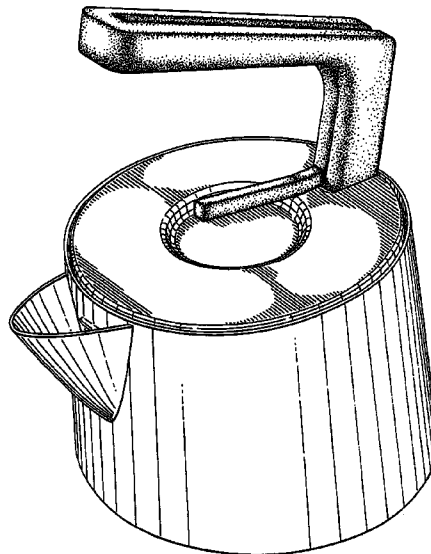
FIG. 5 is a bottom view of the tea kettle shown in FIG. 1; and,

FIG. 6 is a front view of the tea kettle shown in FIG. 1.

Features shown in broken lines in the drawings are not part of the claim.

The broken lines in the FIG. 5 drawing are included for the purpose of illustration and form no part of the claimed design.

1 Claim, 4 Drawing Sheets



US D573,834 S

Page 2

U.S. PATENT DOCUMENTS

2,696,332 A 12/1954 Felver
 2,748,997 A 6/1956 Richmond, Sr.
 3,130,881 A 4/1964 Jepson
 3,341,088 A 9/1967 Moynihan
 3,469,747 A 9/1969 Richmond, Jr.
 D217,179 S * 4/1970 Rakocy D7/318
 D221,062 S 7/1971 Huthsing, Jr.
 3,591,060 A 7/1971 Nakamura
 3,848,563 A 11/1974 Brown
 3,851,791 A 12/1974 Fuder
 3,954,203 A 5/1976 Jorgenson et al.
 4,026,274 A 5/1982 Gutierrez
 4,069,751 A 1/1978 Gronwick et al.
 4,123,871 A 11/1978 Knott
 4,141,473 A 2/1979 Hudson
 4,155,349 A 5/1979 Hudson
 4,189,016 A 2/1980 Nicol
 4,203,529 A 5/1980 Torassa et al.
 4,261,328 A 4/1981 Kirk
 D265,621 S * 8/1982 Christov Urich D7/321
 4,385,585 A 5/1983 Lebowitz
 4,430,556 A 2/1984 Inskip
 4,470,220 A 9/1984 Sudo
 4,491,251 A 1/1985 Pratz
 4,550,027 A 10/1985 Stone
 4,614,859 A 9/1986 Beckering
 4,624,385 A 11/1986 Yano
 D288,518 S 3/1987 Lebowitz
 4,648,535 A 3/1987 Zimmerman
 4,667,584 A 5/1987 Koyama
 4,735,191 A 4/1988 Boursse
 4,744,183 A 5/1988 Kruger
 4,759,274 A 7/1988 Schmidt
 4,768,989 A 9/1988 Moomaw
 4,773,563 A 9/1988 Taylor
 4,813,368 A 3/1989 Hutter
 D302,511 S * 8/1989 Porcelli D7/317
 4,857,897 A 8/1989 Chen
 4,873,918 A 10/1989 Goldman
 4,921,146 A 5/1990 Salzman
 D308,314 S 6/1990 Ancona
 D308,315 S 6/1990 Ancona
 D308,810 S 6/1990 Murawski
 D311,839 S 11/1990 Hutter
 D316,797 S * 5/1991 Ancona et al. D7/322
 5,037,015 A 8/1991 Collins
 5,065,884 A 11/1991 Naritomi
 5,072,858 A 12/1991 Brashier
 5,135,128 A 8/1992 Kuhn
 5,171,952 A 12/1992 Waligorski
 D336,006 S 6/1993 Lebowitz
 D342,640 S 12/1993 Lebowitz
 D343,984 S * 2/1994 Lin D7/320
 5,294,014 A 3/1994 Wyatt
 5,339,978 A * 8/1994 Coppier 220/318
 D352,419 S 11/1994 Lin
 5,413,257 A 5/1995 Amberger
 D360,101 S 7/1995 Lee
 D362,150 S 9/1995 Ancona et al.
 D362,152 S 9/1995 Ancona et al.
 D362,989 S 10/1995 Ancona et al.
 D363,408 S 10/1995 Ancona et al.

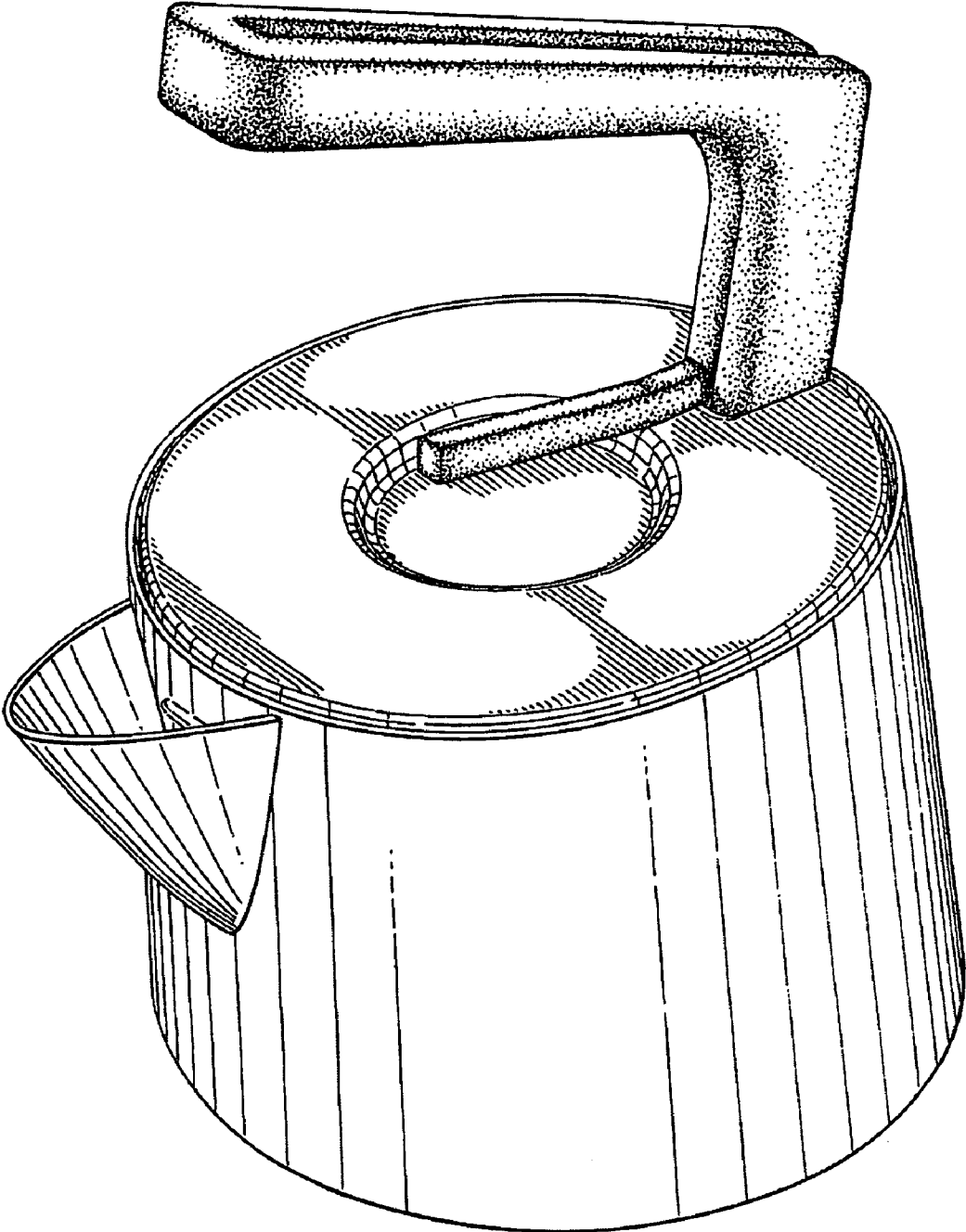
D363,633 S 10/1995 Ancona et al.
 D364,067 S 11/1995 Ancona et al.
 D366,589 S 1/1996 Ancona
 5,490,616 A 2/1996 Stowell
 D373,499 S 9/1996 Piret
 D376,721 S * 12/1996 Chen D7/321
 5,582,316 A 12/1996 Masayoshi
 5,588,567 A 12/1996 Yeh
 5,615,808 A 4/1997 Huang
 D379,898 S 6/1997 Ancona et al.
 D380,337 S 7/1997 Lien
 D380,929 S * 7/1997 Wheeler D7/322
 D380,930 S * 7/1997 Wheeler D7/322
 D381,859 S 8/1997 Joergensen
 5,653,362 A 8/1997 Patel
 5,672,274 A 9/1997 Wheeler
 5,690,094 A 11/1997 Sheinfeld
 5,693,244 A 12/1997 Pragt
 5,706,985 A 1/1998 Feer
 5,793,020 A 8/1998 O'Neill
 D400,709 S 11/1998 Chang
 D402,154 S 12/1998 Joergensen
 D404,966 S 2/1999 Bell et al.
 5,873,476 A 2/1999 Takahashi
 5,875,941 A 3/1999 Hsu
 5,881,484 A 3/1999 Carroll
 5,921,425 A 7/1999 Markey
 5,944,224 A 8/1999 Hodge
 5,947,343 A 9/1999 Horstmann
 6,006,959 A 12/1999 Naden
 6,050,446 A 4/2000 Lei
 D425,400 S 5/2000 Geringer
 D428,758 S 8/2000 Santiago et al.
 6,095,366 A 8/2000 Soya
 D432,851 S * 10/2000 Hoff et al. D7/320
 D433,276 S 11/2000 Ancona et al.
 D435,386 S 12/2000 Ancona et al.
 D435,997 S 1/2001 Leo et al.
 6,216,903 B1 4/2001 Hirose
 6,269,984 B1 8/2001 Murakami
 6,298,773 B1 10/2001 Cali
 6,352,166 B1 3/2002 Copeland
 6,377,750 B1 4/2002 Scott
 6,390,014 B1 5/2002 Ghidini
 6,398,083 B2 6/2002 Nybakke
 D459,937 S 7/2002 Thurlow
 6,474,493 B1 11/2002 Lacout
 6,520,380 B1 2/2003 Veltrop
 6,540,120 B2 4/2003 Lebowitz
 D478,243 S 8/2003 Lebowitz
 D478,768 S 8/2003 Belton
 D483,600 S 12/2003 Thurlow
 D506,635 S * 6/2005 Krent et al. D7/321
 D526,829 S * 8/2006 Cohen D7/321
 D533,029 S 12/2006 Palm et al.
 D535,148 S 1/2007 Palm et al.
 D548,521 S 8/2007 Palm et al.
 D553,898 S * 10/2007 De' Longhi D7/321
 2003/0019889 A1 1/2003 Lebowitz

FOREIGN PATENT DOCUMENTS

GB 607046 8/1948

* cited by examiner

FIG. 1



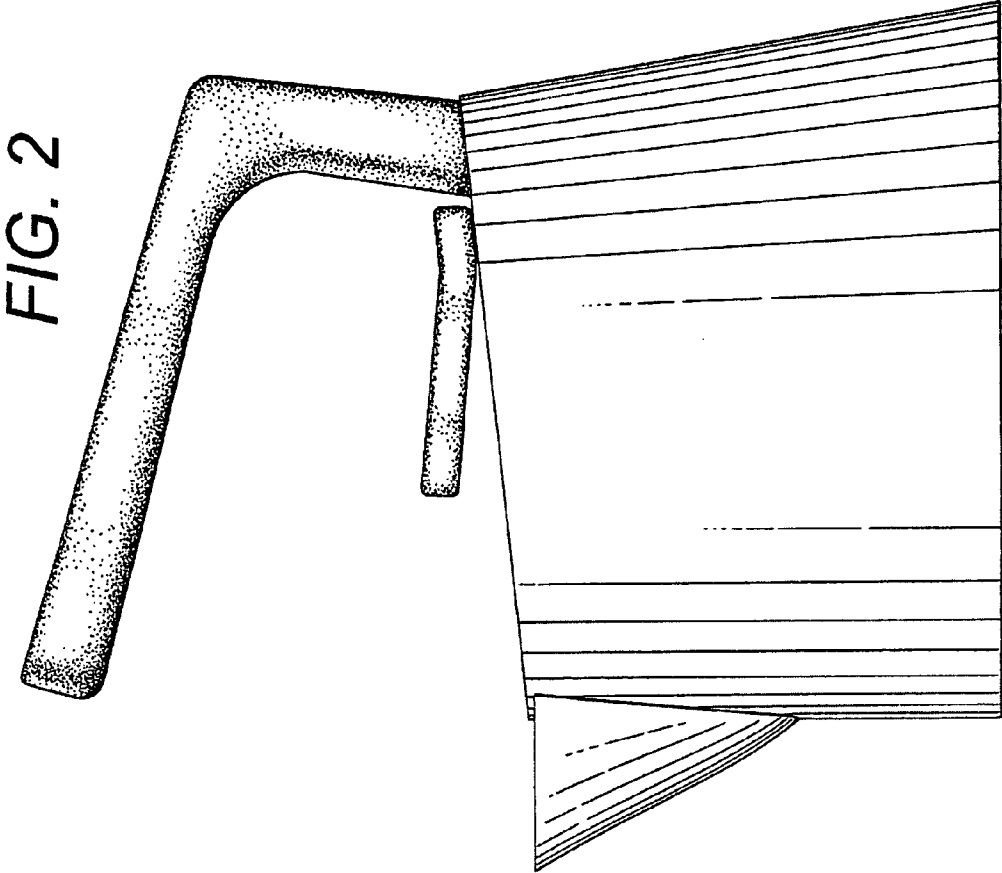


FIG. 2

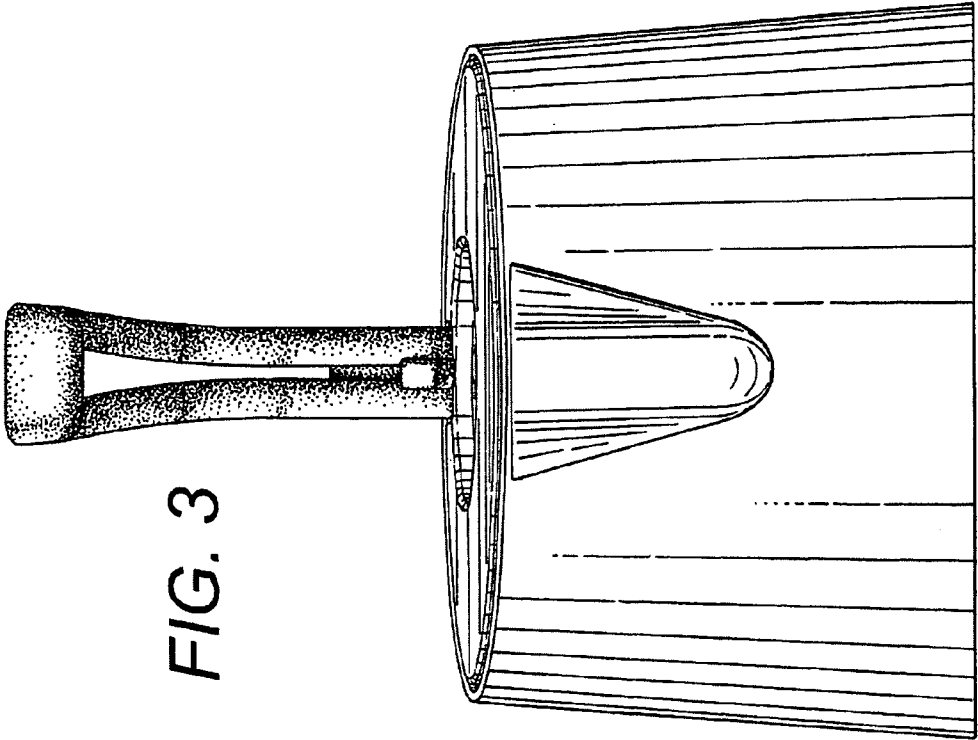


FIG. 3

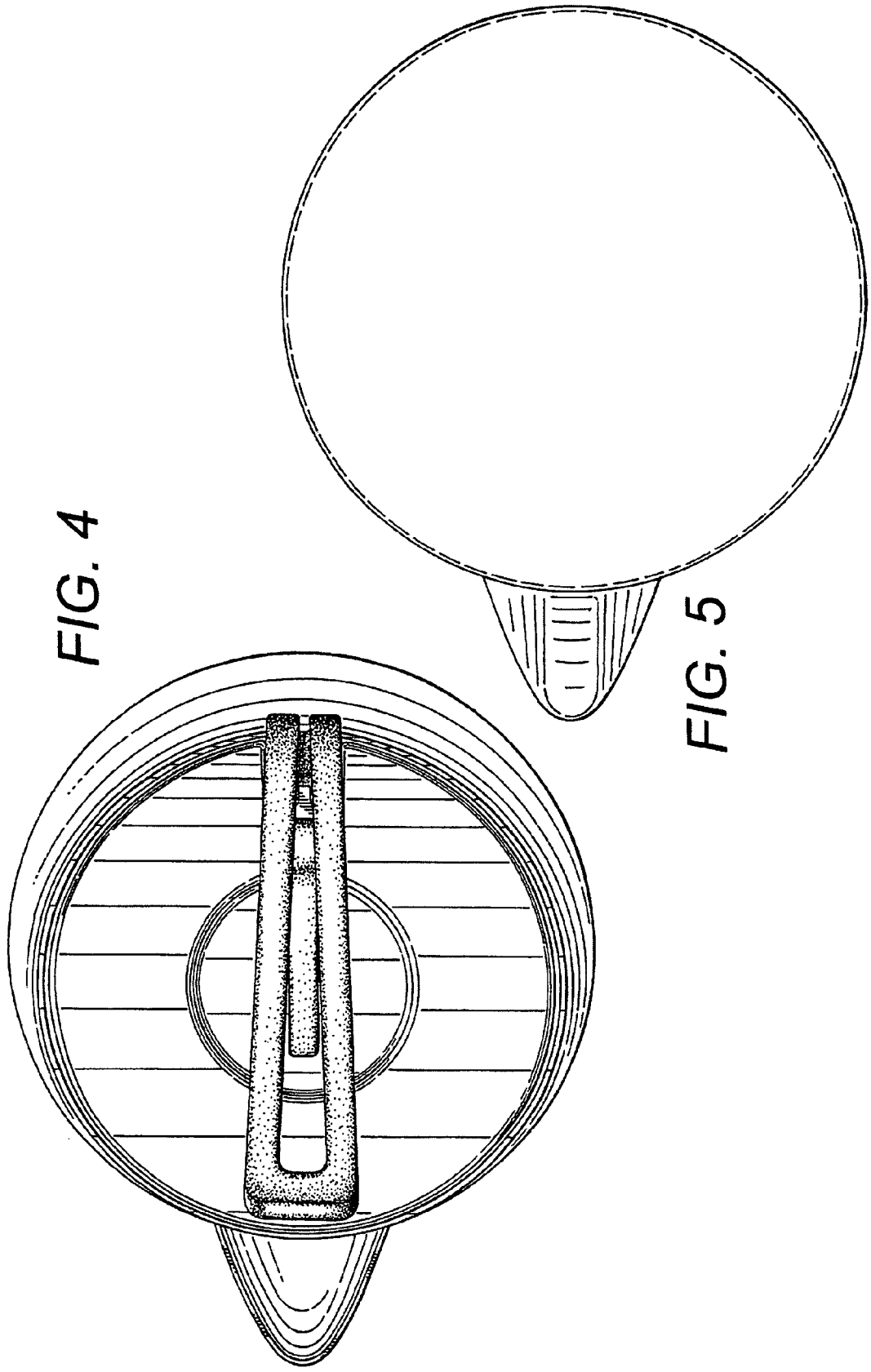


FIG. 4

FIG. 5

FIG. 6

