



US00D761484S

(12) **United States Design Patent**
Laukkanen

(10) **Patent No.:** **US D761,484 S**

(45) **Date of Patent:** **** Jul. 12, 2016**

(54) **LIGHTING COMPONENT**

(71) Applicant: **Ledil Oy**, Salo (FI)

(72) Inventor: **Petri Laukkanen**, Salo (FI)

(73) Assignee: **Ledil Oy**, Salo (FI)

(**) Term: **14 Years**

(21) Appl. No.: **29/524,166**

(22) Filed: **Apr. 17, 2015**

Related U.S. Application Data

(62) Division of application No. 29/465,668, filed on Aug. 30, 2013, now Pat. No. Des. 748,848.

(51) **LOC (10) Cl.** **26-99**

(52) **U.S. Cl.**
USPC **D26/118**

(58) **Field of Classification Search**
USPC D26/1-4, 24-26, 28, 34, 37-39, 43-45,
D26/50, 60, 61, 66-74, 85, 88, 89, 93, 94,
D26/104, 105, 108, 109, 113, 118-125, 138,
D26/142; 362/3, 4, 8, 145, 147, 150,
362/249.01-249.05, 296.01, 296.05, 308,
362/317, 326, 327, 330, 331, 334, 335, 341,
362/347, 362, 364-366, 368, 370-373,
362/640-644; D10/106.2, 111, 113.1,
D10/113.2, 114.1; D11/131, 133, 142-145,
D11/149, 152-155, 200, 215
CPC F21K 9/30; F21K 9/1355; H01L 27/14629
See application file for complete search history.

(56) **References Cited**

U.S. PATENT DOCUMENTS

D482,485 S *	11/2003	Benghozi	D26/85
D495,087 S *	8/2004	Brown	D26/118
D540,972 S *	4/2007	Tortel	D26/118
D601,744 S *	10/2009	Sakuma	D26/89
D617,035 S *	6/2010	Sabernig	D26/79
D628,737 S *	12/2010	van den Akker	D26/89
D634,885 S *	3/2011	Kim	D26/138
D634,886 S *	3/2011	Kim	D26/138
D636,116 S *	4/2011	Kim	D26/138
D636,117 S *	4/2011	Kim	D26/138
D636,118 S *	4/2011	Kim	D26/138
D636,513 S *	4/2011	Furtsch	D16/135
D690,842 S *	10/2013	Feigenbaum	D26/24
D718,892 S *	12/2014	Kim	D26/24
D736,449 S *	8/2015	Getty	D26/110

* cited by examiner

Primary Examiner — Cynthia Ramirez

Assistant Examiner — Llorelys Martinez-Rivera

(74) *Attorney, Agent, or Firm* — McCormick, Paulding & Huber LLP

(57) **CLAIM**

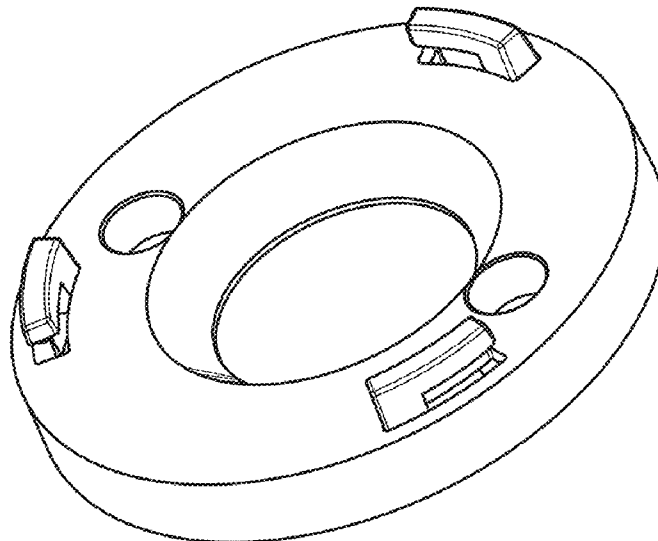
The ornamental design for a lighting component, as shown.

DESCRIPTION

FIG. 1 is a front, top, right side perspective view of a lighting component showing my new design;
FIG. 2 is a top view thereof;
FIG. 3 is a bottom view thereof;
FIG. 4 is a front view thereof;
FIG. 5 is a rear view thereof;
FIG. 6 is a right side view thereof; and,
FIG. 7 is a left side view thereof.

The broken lines shown in the drawings illustrate portions of the lighting component that form no part of the claimed design.

1 Claim, 1 Drawing Sheet



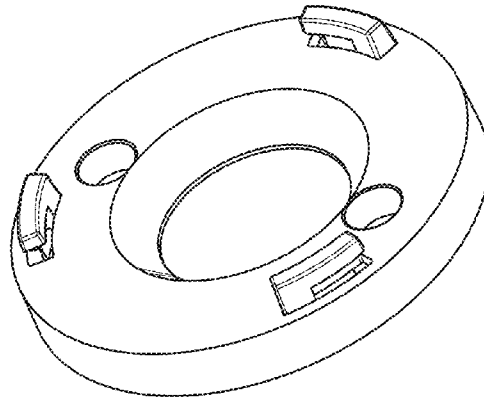


FIG. 1

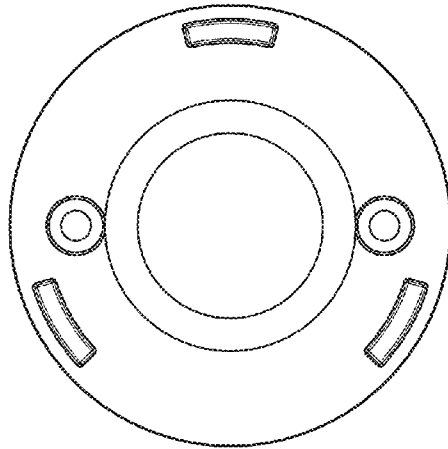


FIG. 2

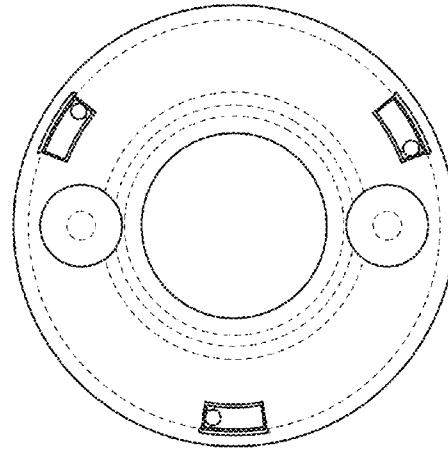


FIG. 3

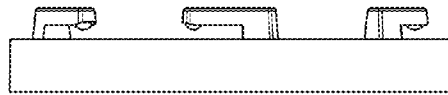


FIG. 4

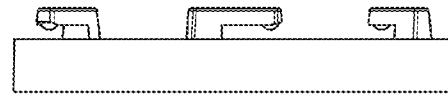


FIG. 5

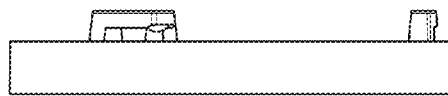


FIG. 6



FIG. 7

UNITED STATES PATENT AND TRADEMARK OFFICE
CERTIFICATE OF CORRECTION

PATENT NO. : D761,484 S
APPLICATION NO. : 29/524166
DATED : July 12, 2016
INVENTOR(S) : Petri Laukkanen

Page 1 of 1

It is certified that error appears in the above-identified patent and that said Letters Patent is hereby corrected as shown below:

TITLE PAGE

Please insert the following:

-- Foreign Application Priority Data --

-- May 16, 2013 (EM) 002238469 --

Signed and Sealed this
Fourth Day of October, 2016



Michelle K. Lee
Director of the United States Patent and Trademark Office