

(19) World Intellectual Property Organization
International Bureau



(43) International Publication Date
26 March 2009 (26.03.2009)

(10) International Publication Number
WO 2009/038600 A3

- (51) **International Patent Classification:**
F21V 21/08 (2006.01)
- (21) **International Application Number:**
PCT/US2008/003770
- (22) **International Filing Date:**
21 March 2008 (21.03.2008)
- (25) **Filing Language:** English
- (26) **Publication Language:** English
- (30) **Priority Data:**
11/903,005 19 September 2007 (19.09.2007) US
- (72) **Inventor; and**
- (71) **Applicant :** RAPISARDA, Carmen [US/US]; 21211 Wisteria Street, Apple Valley, CA 92308 (US).
- (74) **Agent:** ANDERSON, Roy; 3541 Ocean View Blvd., Glendale, CA 91208 (US).
- (81) **Designated States** (unless otherwise indicated, for every kind of national protection available): AE, AG, AL, AM, AO, AT, AU, AZ, BA, BB, BG, BH, BR, BW, BY, BZ, CA, CH, CN, CO, CR, CU, CZ, DE, DK, DM, DO, DZ, EC, EE, EG, ES, FI, GB, GD, GE, GH, GM, GT, HN, HR, HU, ID, IL, IN, IS, JP, KE, KG, KM, KN, KP, KR, KZ, LA, LC, LK, LR, LS, LT, LU, LY, MA, MD, ME,

MG, MK, MN, MW, MX, MY, MZ, NA, NG, NI, NO, NZ, OM, PG, PH, PL, PT, RO, RS, RU, SC, SD, SE, SG, SK, SL, SM, SV, SY, TJ, TM, TN, TR, TT, TZ, UA, UG, US, UZ, VC, VN, ZA, ZM, ZW.

(84) **Designated States** (unless otherwise indicated, for every kind of regional protection available): ARIPO (BW, GH, GM, KE, LS, MW, MZ, NA, SD, SL, SZ, TZ, UG, ZM, ZW), Eurasian (AM, AZ, BY, KG, KZ, MD, RU, TJ, TM), European (AT, BE, BG, CH, CY, CZ, DE, DK, EE, ES, FI, FR, GB, GR, HR, HU, IE, IS, IT, LT, LU, LV, MC, MT, NL, NO, PL, PT, RO, SE, SI, SK, TR), OAPI (BF, BJ, CF, CG, CI, CM, GA, GN, GQ, GW, ML, MR, NE, SN, TD, TG).

Declarations under Rule 4.17:

- as to applicant's entitlement to apply for and be granted a patent (Rule 4.17(ii))
- as to the applicant's entitlement to claim the priority of the earlier application (Rule 4.17(iii))

Published:

- with international search report (Art. 21(3))

(88) **Date of publication of the international search report:**
11 March 2010

(54) **Title:** LIGHTING SYSTEMS FOR ATTACHMENT TO ARTICLES OF APPAREL

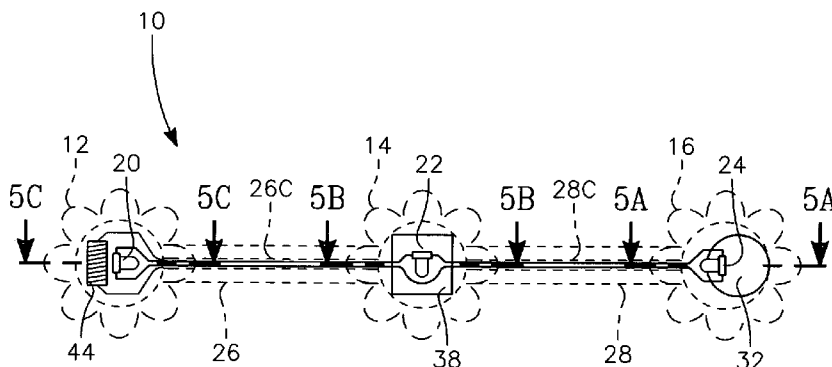


FIG. 4

(57) **Abstract:** A lighting system for wearing apparel and the like includes a sealed housing of flexible light transmitting material with at least two hollow regions interconnected by a section having an opening therein communicating between the hollow regions, a battery in one of the hollow regions, at least one light source in each hollow region for light emission through the surface of the housing, a motion responsive switch or a user-activated switch or both contained within one of the hollow regions, light controls contained within one of the hollow regions connected to the battery, the switch and the light sources for controlling the activation of the light sources responsive to operation of the switch, the weight and volume of the battery, light control means and switch being distributed among the hollow regions.

WO 2009/038600 A3

INTERNATIONAL SEARCH REPORT

International application No.

PCT/US 08/03770

A. CLASSIFICATION OF SUBJECT MATTER

IPC(8) - F21V 21/08 (2008.04)

USPC - 362/103

According to International Patent Classification (IPC) or to both national classification and IPC

B. FIELDS SEARCHED

Minimum documentation searched (classification system followed by classification symbols)

USPC: 362/103

Documentation searched other than minimum documentation to the extent that such documents are included in the fields searched

USPC: 362/103 (text searched)

Electronic data base consulted during the international search (name of data base and, where practicable, search terms used)

PubWEST(USPT,PGPB,EPAB,JPAB); Google Scholar

Search Terms - LED, flexible, housing, motion, switch, garment, wear, potting, stress relief

C. DOCUMENTS CONSIDERED TO BE RELEVANT

| Category* | Citation of document, with indication, where appropriate, of the relevant passages | Relevant to claim No. |
|--------------|---|--|
| X -- Y | US 4,839,777 A (Janko et al.) 13 June 1989 (13.06.1989), entire document, especially Figures 1 and 7 | 15 ----- 1-14, 16-25, and 29 |
| X -- Y | US 6,104,140 A (Wut et al.) 15 August 2000 (15.08.2000), entire document, especially col 4, ln 46-64 and Figure 3 | 26-28 ----- 1-14, 16, 24, 25, and 29 |
| Y | US 4,051,842 A (Hazel et al.) 04 October 1977 (04.10.1977), entire document, especially col 4, ln 20-24 | 17-19, 21, and 22 |
| Y | US 2006/0198119 A1 (Hulse) 07 September 2006 (07.09.2006), entire document, especially para [0045] | 20 and 23 |

 Further documents are listed in the continuation of Box C.

* Special categories of cited documents:

"A" document defining the general state of the art which is not considered to be of particular relevance

"E" earlier application or patent but published on or after the international filing date

"L" document which may throw doubts on priority claim(s) or which is cited to establish the publication date of another citation or other special reason (as specified)

"O" document referring to an oral disclosure, use, exhibition or other means

"P" document published prior to the international filing date but later than the priority date claimed

"T" later document published after the international filing date or priority date and not in conflict with the application but cited to understand the principle or theory underlying the invention

"X" document of particular relevance; the claimed invention cannot be considered novel or cannot be considered to involve an inventive step when the document is taken alone

"Y" document of particular relevance; the claimed invention cannot be considered to involve an inventive step when the document is combined with one or more other such documents, such combination being obvious to a person skilled in the art

"&" document member of the same patent family

Date of the actual completion of the international search

13 June 2008 (13.06.2008)

Date of mailing of the international search report

01 AUG 2008

Name and mailing address of the ISA/US

Mail Stop PCT, Attn: ISA/US, Commissioner for Patents

P.O. Box 1450, Alexandria, Virginia 22313-1450

Facsimile No. 571-273-3201

Authorized officer:

Lee W. Young

PCT Helpdesk: 571-272-4300

PCT OSP: 571-272-7774