



US00D972995S

(12) **United States Design Patent** (10) **Patent No.:** **US D972,995 S**
Chen et al. (45) **Date of Patent:** **** Dec. 20, 2022**

(54) **REARVIEW MIRROR**
(71) Applicant: **CHRIS CAM INDUSTRY INC.,**
Tainan (TW)
(72) Inventors: **Cheng-Chung Chen, Tainan (TW);**
Hung-Lung Chen, Tainan (TW)
(73) Assignee: **Chris Cam Industry Inc., Tainan (TW)**
(**) Term: **15 Years**
(21) Appl. No.: **29/776,917**
(22) Filed: **Apr. 1, 2021**
(51) **LOC (13) Cl.** **12-16**
(52) **U.S. Cl.**
USPC **D12/187**
(58) **Field of Classification Search**
USPC D6/300, 309; D12/187, 188, 189
CPC G02B 7/18; G02B 7/182; B60R 1/076
See application file for complete search history.

D802,502 S * 11/2017 McMahan D12/187
D804,378 S * 12/2017 Perkins D12/187
D809,442 S * 2/2018 Zipfel D12/187
D855,523 S * 8/2019 Perkins D12/187
D889,339 S * 7/2020 Chen D12/187
D906,203 S * 12/2020 Chen D12/187

* cited by examiner
Primary Examiner — Susan E Krakower
Assistant Examiner — Jerry Shiu-an-Hua Hsu
(74) *Attorney, Agent, or Firm* — Rosenberg, Klein & Lee

(57) **CLAIM**

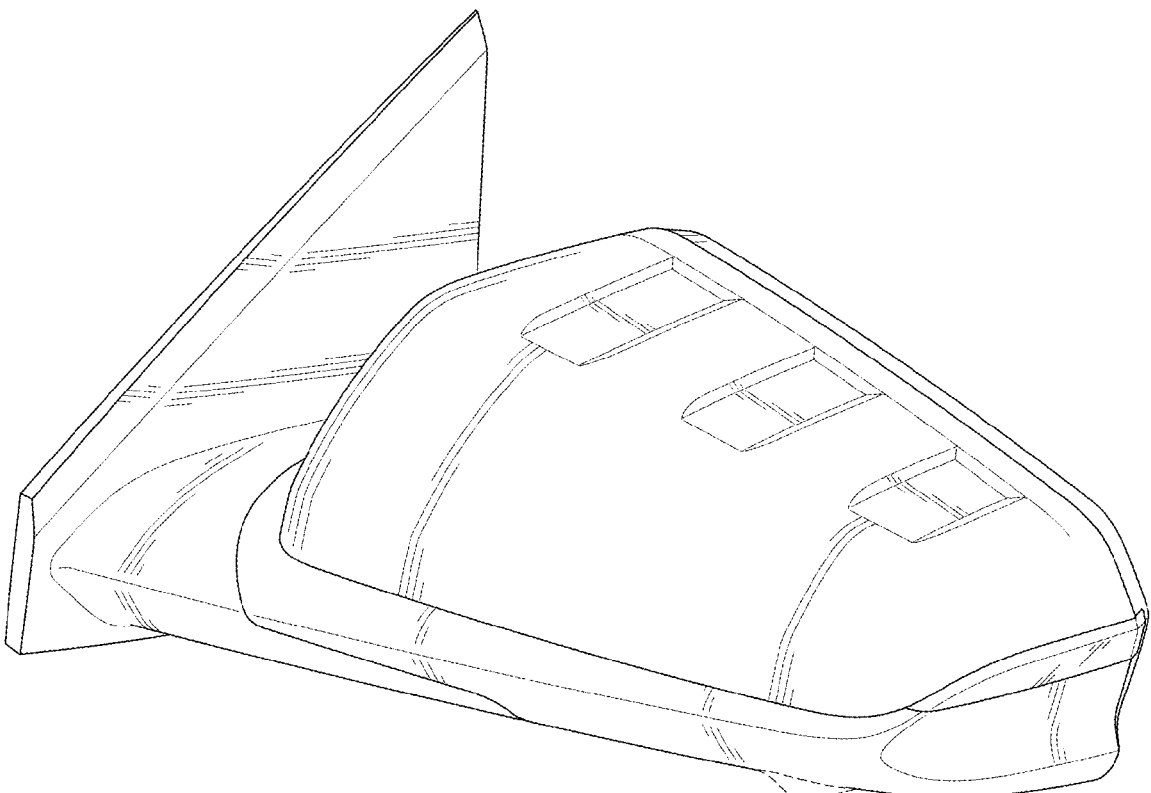
The ornamental design for a rearview mirror, as shown and described.

DESCRIPTION

FIG. 1 is a perspective view of a rearview mirror showing our new design;
FIG. 2 is a front elevational view thereof;
FIG. 3 is a rear elevational view thereof;
FIG. 4 is a left side elevational view thereof;
FIG. 5 is a right side elevational view thereof;
FIG. 6 is a top plan view thereof; and,
FIG. 7 is a bottom plan view thereof.
The broken lines shown in the figures illustrate portions of the rearview mirror that form no part of the claimed design.

1 Claim, 7 Drawing Sheets

(56) **References Cited**
U.S. PATENT DOCUMENTS
D603,774 S * 11/2009 Chen D12/187
D631,805 S * 2/2011 Chen D12/187
D644,151 S * 8/2011 Chen D12/187
D662,014 S * 6/2012 Chen D12/187
D716,206 S * 10/2014 Thole D12/187
D718,197 S * 11/2014 Chen D12/187
D782,379 S * 3/2017 Wassell D12/187



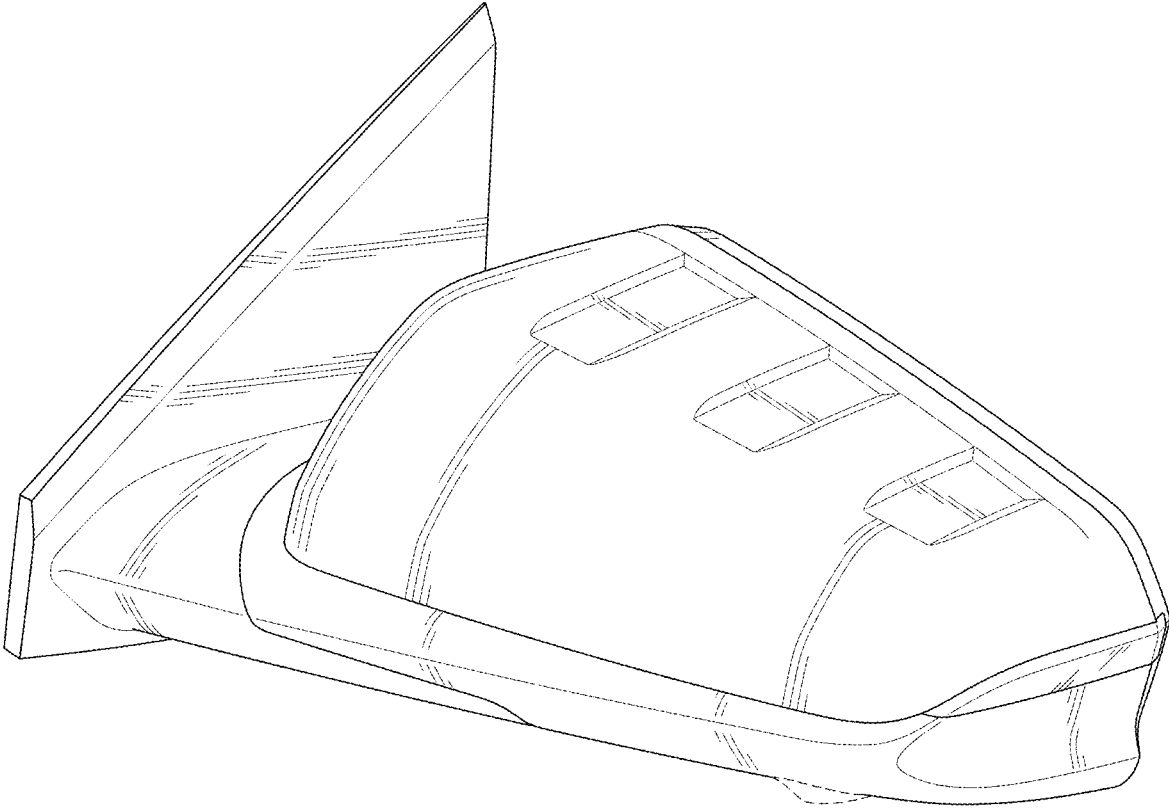


FIG. 1

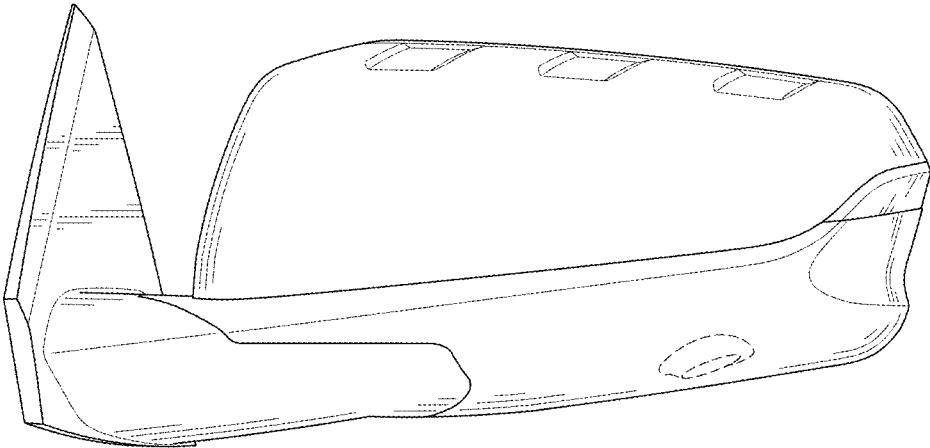


FIG. 2

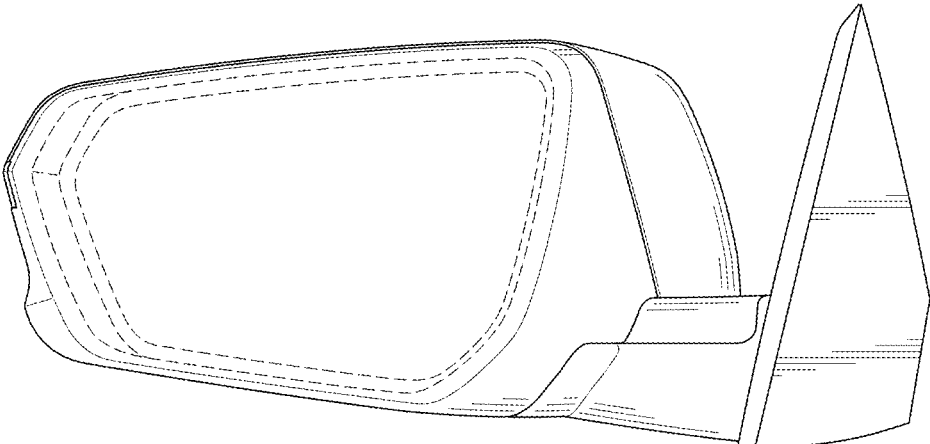


FIG. 3

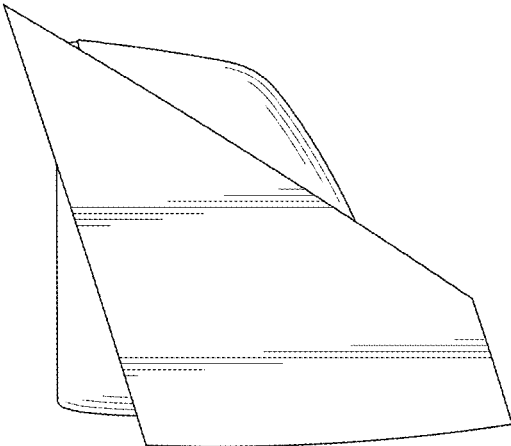


FIG. 4

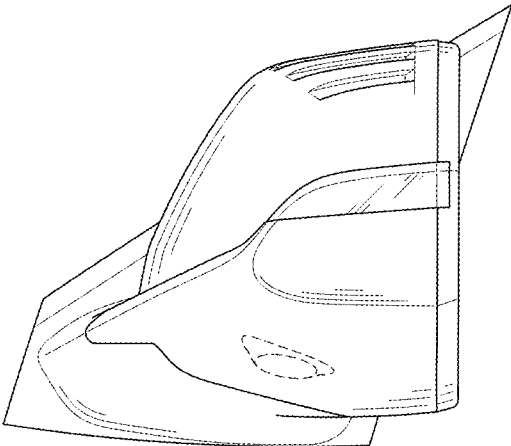


FIG. 5

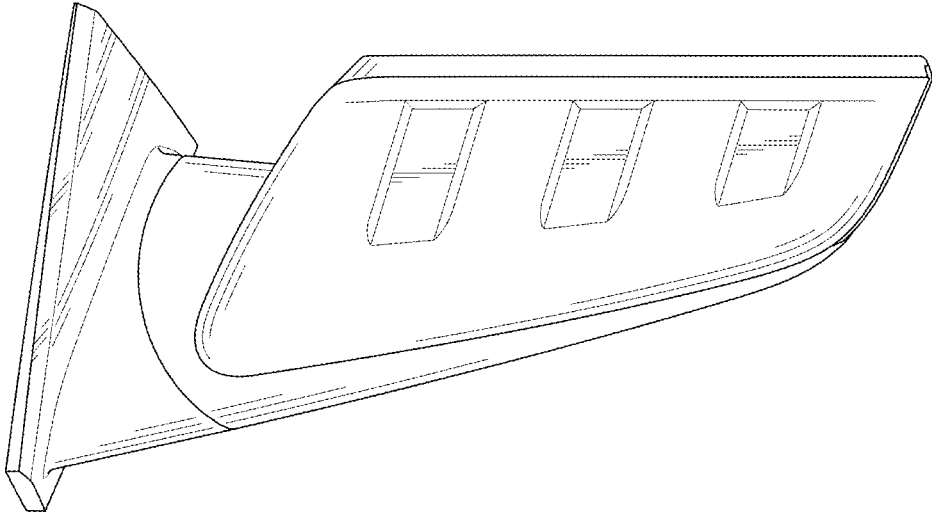


FIG. 6

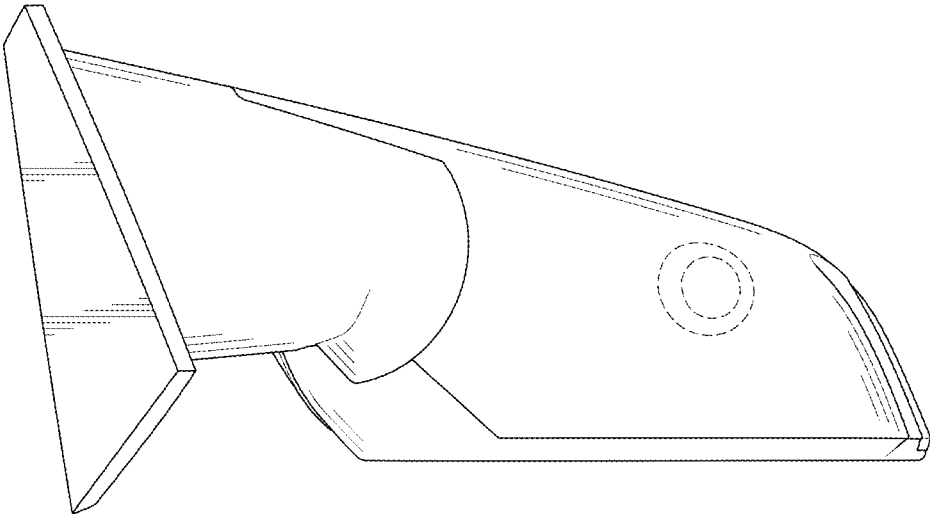


FIG. 7