



US00D604723S

(12) **United States Design Patent**
Bodley et al.

(10) **Patent No.:** **US D604,723 S**

(45) **Date of Patent:** **** Nov. 24, 2009**

(54) **OMNIDIRECTIONAL WIRELESS
MICROPHONE FOR USE WITH A
MULTI-USER AUDIO SYSTEM**

(75) Inventors: **Martin Reed Bodley**, Sudbury, MA
(US); **Jean-Pierre Carney**, Sudbury,
MA (US); **Stephen Lyman**, Hudson, NH
(US)

(73) Assignee: **Revolabs, Inc.**, Maynard, MA (US)

(**) Term: **14 Years**

(21) Appl. No.: **29/332,011**

(22) Filed: **Feb. 6, 2009**

(51) **LOC (9) Cl.** **14-01**

(52) **U.S. Cl.** **D14/225**

(58) **Field of Classification Search** D14/225,
D14/224, 226–229, 137–138, 217–218, 240,
D14/192, 155, 172; D13/168, 184; 181/158,
181/242; 379/430–432, 441; 381/242, 357;
455/170.1, 351; D10/106; D16/202, 237

See application file for complete search history.

(56) **References Cited**

U.S. PATENT DOCUMENTS

D167,828 S *	9/1952	Florac	D14/194
D299,336 S *	1/1989	Osanai et al.	D14/225
D303,638 S *	9/1989	Andrews et al.	D10/106
D355,895 S *	2/1995	Soren et al.	D14/240
D379,809 S *	6/1997	Lindeman	D14/137
D398,304 S *	9/1998	Murray et al.	D14/137
D412,705 S *	8/1999	Laiacona et al.	D14/172
D426,529 S *	6/2000	Lohrding et al.	D14/137
D451,076 S *	11/2001	Sommer et al.	D13/168
D496,030 S *	9/2004	Harbeke	D14/225
D507,261 S *	7/2005	Griffin	D14/226
D509,199 S *	9/2005	Haase et al.	D14/137
D529,902 S *	10/2006	Tan et al.	D14/225
D541,784 S *	5/2007	Cho et al.	D14/138 AD
D548,195 S *	8/2007	Poulet	D13/168
D550,654 S *	9/2007	Miyawaki	D14/218

D556,155 S *	11/2007	Andre et al.	D13/168
D558,742 S *	1/2008	Koller et al.	D14/225
D568,827 S *	5/2008	Ikeda et al.	D13/168
D568,877 S *	5/2008	Bodley et al.	D14/225
D573,957 S *	7/2008	Ledbetter et al.	D13/168
D577,713 S *	9/2008	Kim et al.	D14/218
D577,715 S *	9/2008	Lim et al.	D14/240
D581,943 S *	12/2008	Pedersen et al.	D14/496
D583,806 S *	12/2008	Okazaki et al.	D14/225

* cited by examiner

Primary Examiner—Paula Greene

(74) *Attorney, Agent, or Firm*—Nutter McClennen & Fish
LLP

(57) **CLAIM**

The ornamental design for an omnidirectional wireless microphone for use with a multi-user audio system, as shown and described.

DESCRIPTION

FIG. 1 is a front perspective view of an omnidirectional wireless microphone for use with a multi-user audio system;

FIG. 2 is a back perspective view of an omnidirectional wireless microphone for use with a multi-user audio system;

FIG. 3 is a front view of an omnidirectional wireless microphone for use with a multi-user audio system;

FIG. 4 is a side view of an omnidirectional wireless microphone for use with a multi-user audio system;

FIG. 5 is a back view of an omnidirectional wireless microphone for use with a multi-user audio system;

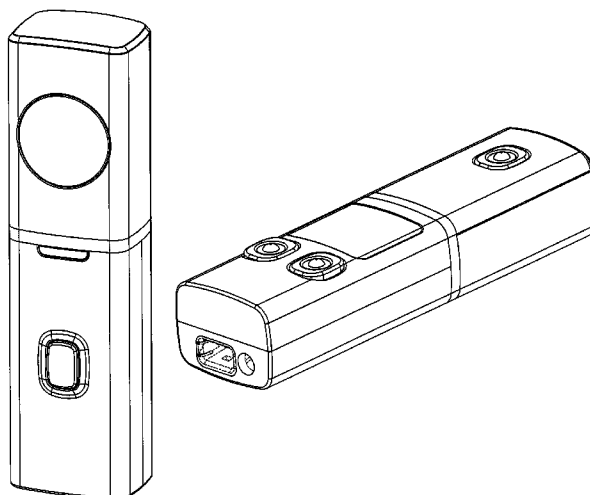
FIG. 6 is a side view of an omnidirectional wireless microphone for use with a multi-user audio system;

FIG. 7 is a bottom view of an omnidirectional wireless microphone for use with a multi-user audio system; and,

FIG. 8 is a top view of an omnidirectional wireless microphone for use with a multi-user audio system.

The broken lines form no part of the claimed design.

1 Claim, 3 Drawing Sheets



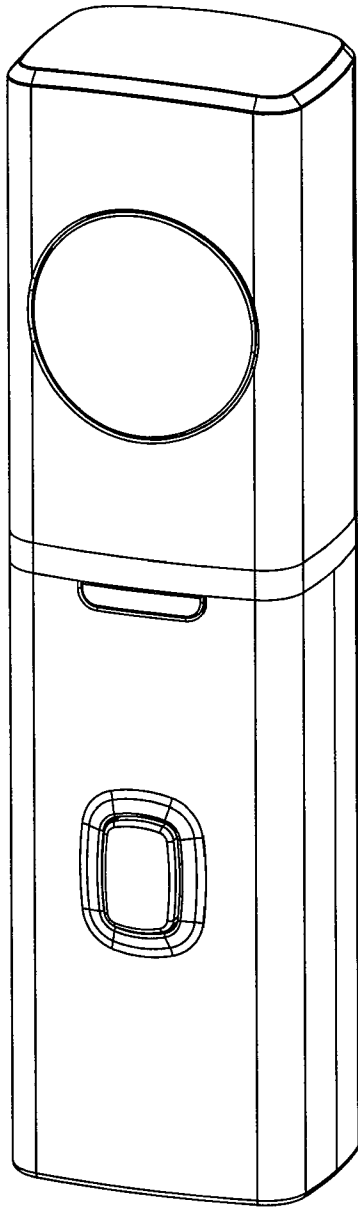


FIG. 1

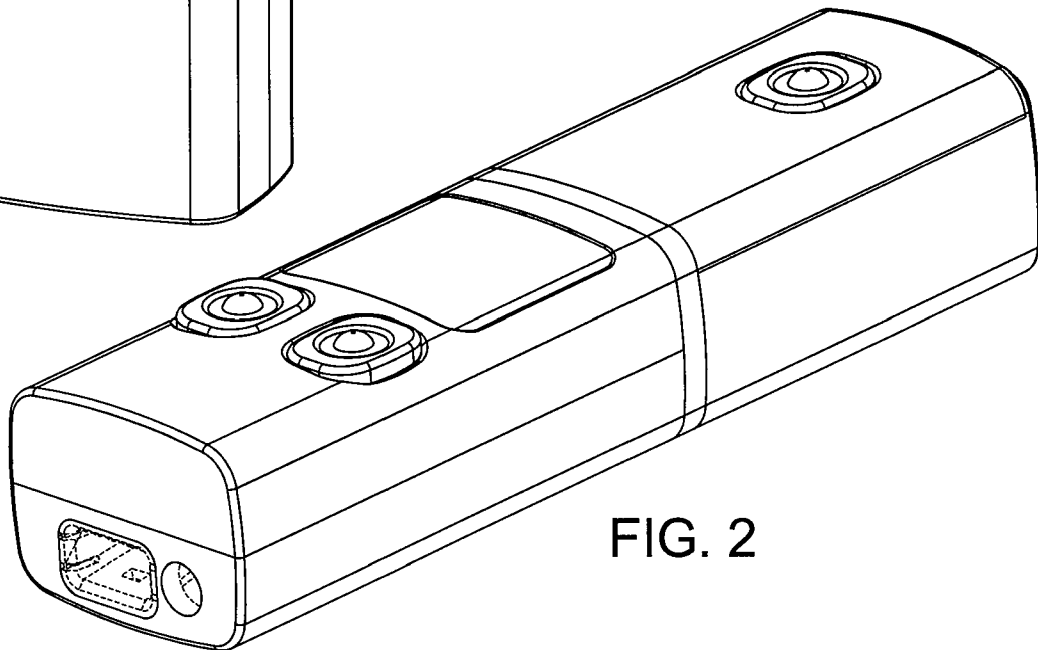


FIG. 2

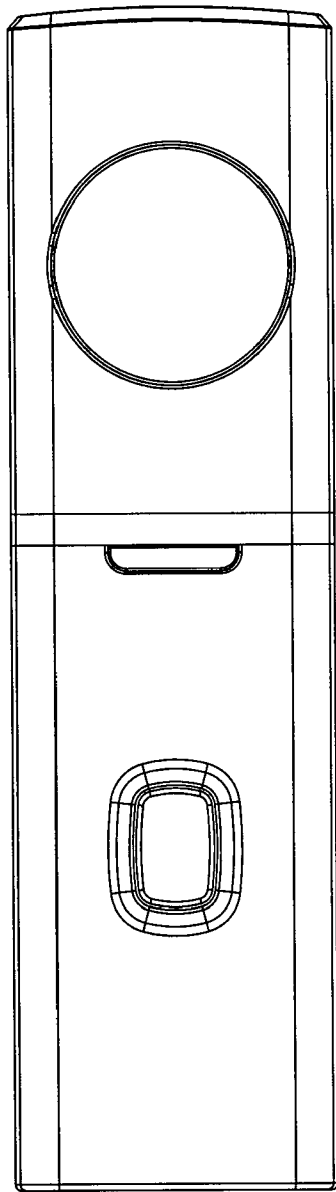


FIG. 3

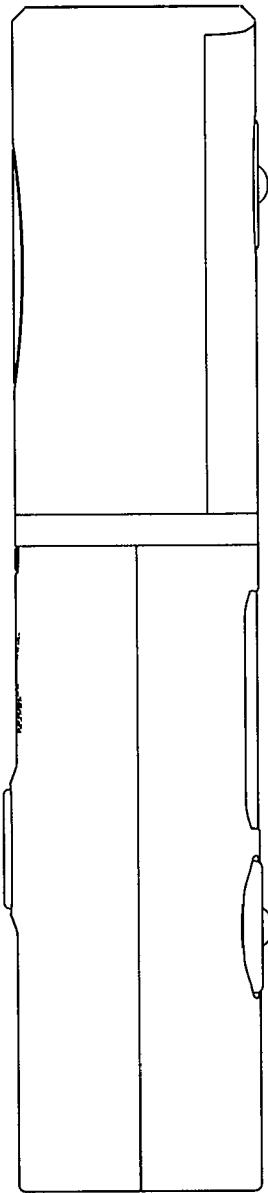


FIG. 4

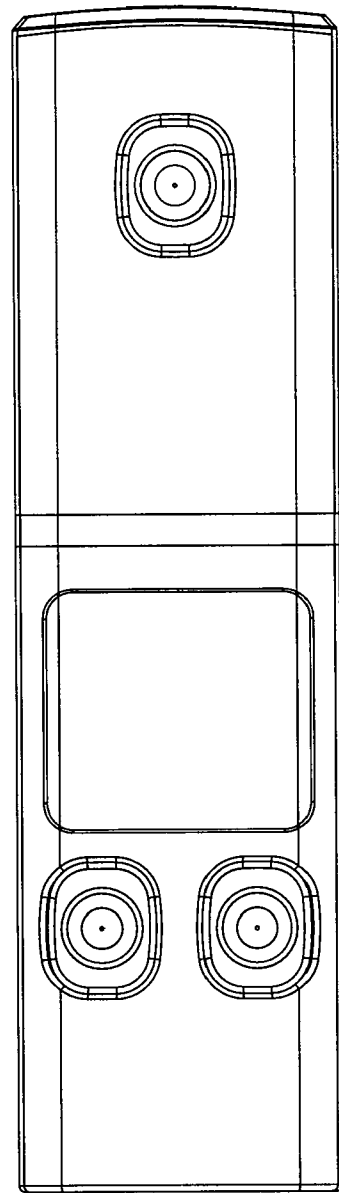


FIG. 5

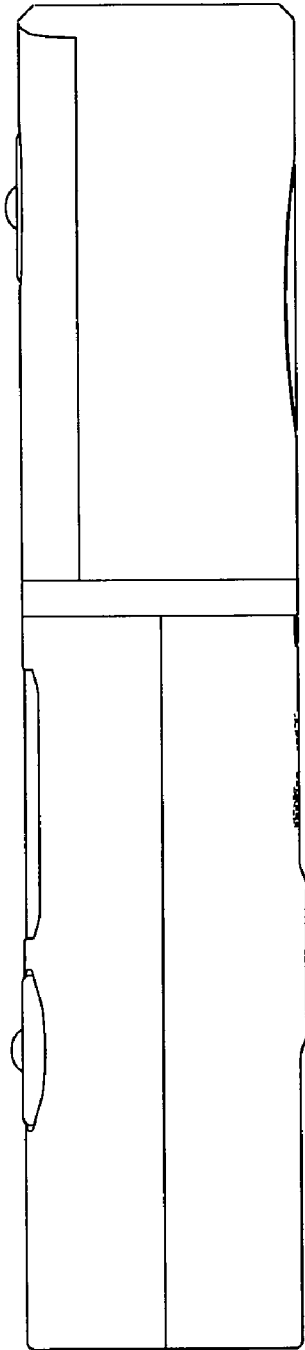


FIG. 6

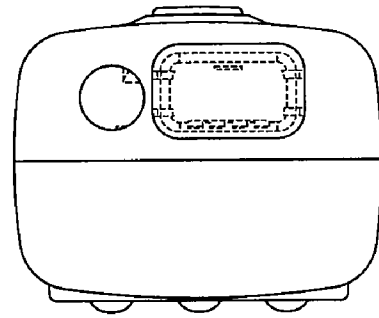


FIG. 7

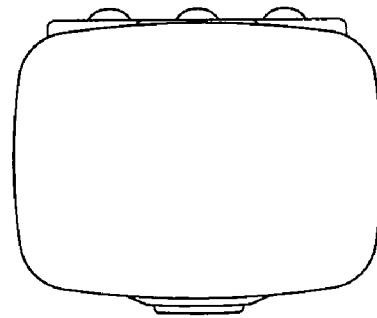


FIG. 8