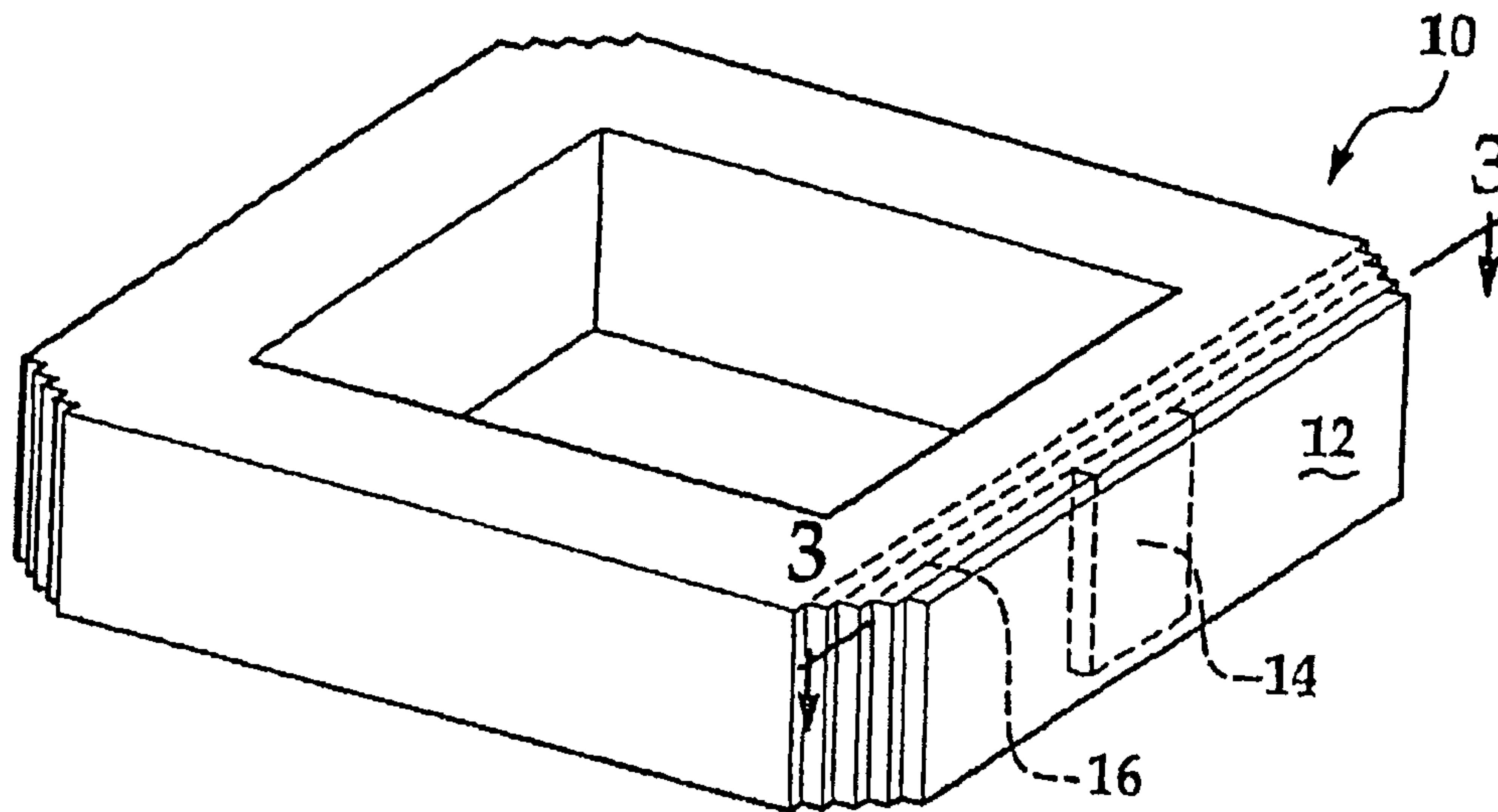




(86) Date de dépôt PCT/PCT Filing Date: 2003/12/12  
 (87) Date publication PCT/PCT Publication Date: 2005/07/21  
 (45) Date de délivrance/Issue Date: 2012/02/21  
 (85) Entrée phase nationale/National Entry: 2006/06/09  
 (86) N° demande PCT/PCT Application No.: US 2003/035828  
 (87) N° publication PCT/PCT Publication No.: 2005/065909

(51) Cl.Int./Int.Cl. *B29C 33/04* (2006.01)  
 (72) Inventeur/Inventor:  
 MANUEL, MARK, US  
 (73) Propriétaire/Owner:  
 FLOODCOOLING TECHNOLOGIES, L.L.C., US  
 (74) Agent: BORDEN LADNER GERVAIS LLP

(54) Titre : OUTIL ET SON PROCÉDE DE FABRICATION  
 (54) Title: A TOOL AND A METHOD FOR MAKING A TOOL



(57) Abrégé/Abstract:

A tool (10) and a method for creating the tool (10) which is comprised of several selectively coupled sectional members (12, 16), and which includes at least one cooling channel (14). In one embodiment, each sectional member (12, 16), which is to be used to form the at least one cooling channel (14), has respective indented channels (18, 20). Channel (18) of member (12) registers with a unique one of the channels (20) of member (16) to which member (12) is coupled, thereby forming the unique cooling passage (14). Other embodiments are disclosed which also provide desired cooling paths (14).

## (12) INTERNATIONAL APPLICATION PUBLISHED UNDER THE PATENT COOPERATION TREATY (PCT)

(19) World Intellectual Property  
Organization  
International Bureau



(43) International Publication Date  
21 July 2005 (21.07.2005)

PCT

(10) International Publication Number  
**WO 2005/065909 A1**

(51) International Patent Classification<sup>7</sup>: **B29C 33/04**

KZ, LC, LK, LR, LS, LT, LU, LV, MA, MD, MG, MK, MN, MW, MX, MZ, NI, NO, NZ, OM, PG, PH, PL, PT, RO, RU, SC, SD, SE, SG, SK, SL, SY, TJ, TM, TN, TR, TT, TZ, UA, UG, US, UZ, VC, VN, YU, ZA, ZM, ZW.

(21) International Application Number:  
PCT/US2003/035828

(22) International Filing Date:  
12 December 2003 (12.12.2003)

(84) Designated States (*regional*): ARIPO patent (BW, GH, GM, KE, LS, MW, MZ, SD, SL, SZ, TZ, UG, ZM, ZW), Eurasian patent (AM, AZ, BY, KG, KZ, MD, RU, TJ, TM), European patent (AT, BE, BG, CH, CY, CZ, DE, DK, EE, ES, FI, FR, GB, GR, HU, IE, IT, LU, MC, NL, PT, RO, SE, SI, SK, TR), OAPI patent (BF, BJ, CF, CG, CI, CM, GA, GN, GQ, GW, ML, MR, NE, SN, TD, TG).

(25) Filing Language: English

(26) Publication Language: English

(71) Applicant and

**Declaration under Rule 4.17:**

(72) Inventor: MANUEL, Mark [GB/US]; 14377 Knights-bridge, Shelby Township, MI 48315 (US).

— of inventorship (Rule 4.17(iv)) for US only

**Published:**

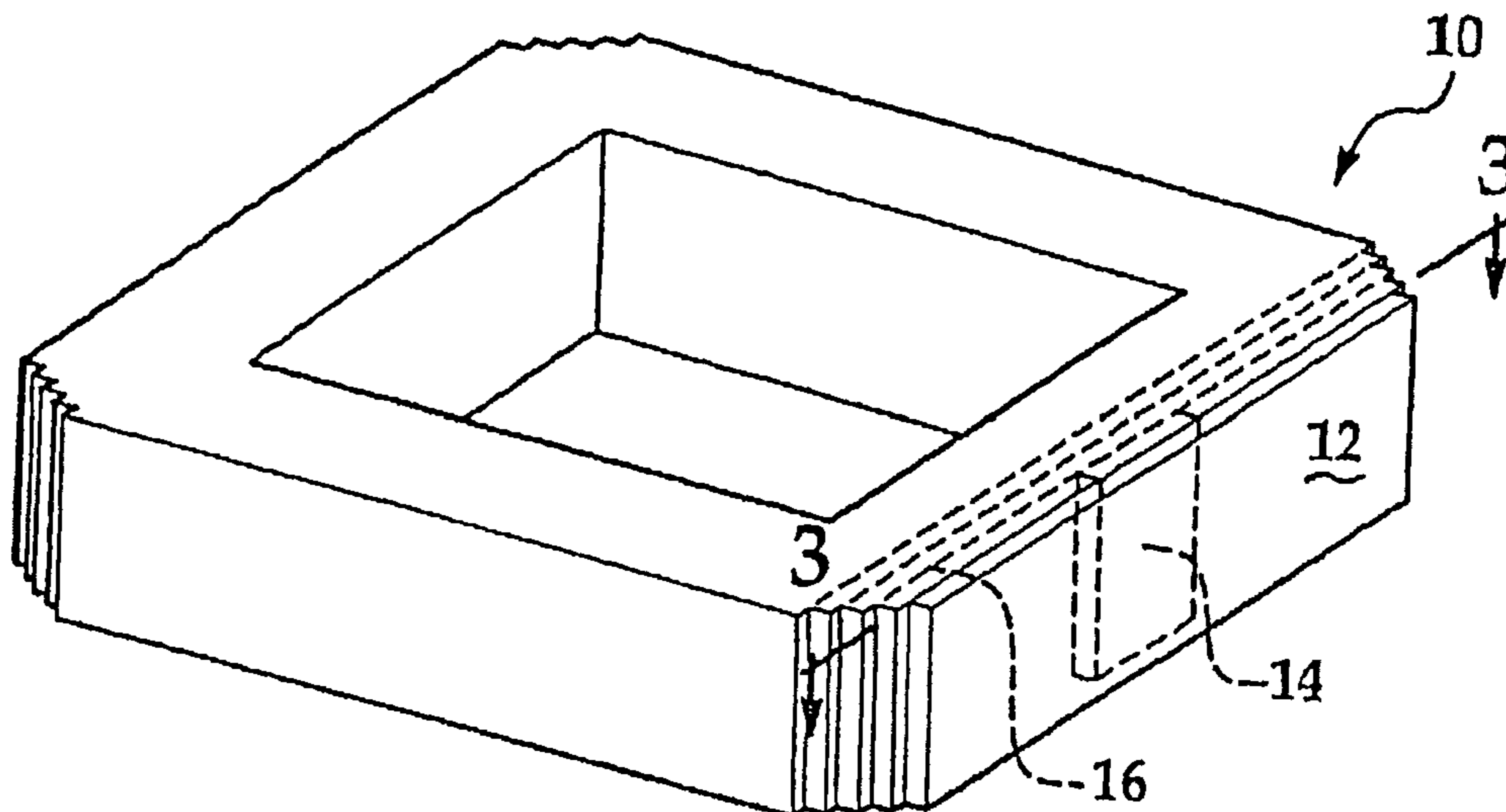
(74) Agent: CHUPA, John, G.; Law Offices of John Chupa & Associates, P.C., Suite 50, 28535 Orchard Lake Road, Farmington Hills, MI 48334 (US).

— with international search report  
— before the expiration of the time limit for amending the claims and to be republished in the event of receipt of amendments

(81) Designated States (*national*): AE, AG, AL, AM, AT, AU, AZ, BA, BB, BG, BR, BW, BY, BZ, CA, CH, CN, CO, CR, CU, CZ, DE, DK, DM, DZ, EC, EE, EG, ES, FI, GB, GD, GE, GH, GM, HR, HU, ID, IL, IN, IS, JP, KE, KG, KP, KR,

For two-letter codes and other abbreviations, refer to the "Guidance Notes on Codes and Abbreviations" appearing at the beginning of each regular issue of the PCT Gazette.

(54) Title: TOOL AND METHOD FOR MAKING A TOOL



(57) Abstract: A tool (10) and a method for creating the tool (10) which is comprised of several selectively coupled sectional members (12, 16), and which includes at least one cooling channel (14). In one embodiment, each sectional member (12, 16), which is to be used to form the at least one cooling channel (14), has respective indented channels (18, 20). Channel (18) of member (12) registers with a unique one of the channels (20) of member (16) to which member (12) is coupled, thereby forming the unique cooling passage (14). Other embodiments are disclosed which also provide desired cooling paths (14).

WO 2005/065909 A1

A TOOL AND A METHOD FOR MAKING A TOOLField of the Invention

5           The present invention generally relates to a tool and  
to a method for making a tool and more particularly, to a  
tool which may be formed by the creation and coupling of  
members which have certain respective attributes which  
~~cooperatively form cooling passages within the tool in an~~  
10 efficient manner.

Background of the Invention

A tool, such as a mold, die, or other object formation  
~~apparatus is used to repeatedly form or create~~  
15 substantially similar objects or products. Conventionally,  
the tool is formed by machining or "working" a block of  
material in a certain manner, thereby forming or creating  
the tool in a desired shape and geometrical configuration.  
Alternatively, the tool may be formed by a laminar process  
20 in which various sectional members are created and  
selectively coupled (e.g., by gluing, bolting, welding, or  
bonding), effective to allow the coupled members to  
cooperatively form the tool. Particularly, holes are

formed within the tool and a slotted pin may be placed within each of the formed holes. Steam is blown through the holes, through the contained pins to create the part and water is then forced through the tool to cool the part. The  
5 holes are used both to melt the material which is used to form the part and to cool the part.

The holes and slotted pins are cooperatively effective to allow air, steam, and/or water to pass through the tool ~~in order to or heat or melt material, such as styrene, and~~  
10 to cool the tool and/or the produced item which may reside within the tool (e.g., the heat travels from the item to the ambient environment through a medium which may be contained within and/or which may selectively travel ~~through the pins), effective to increase the useful~~  
15 operating life of the tool and to increase the likelihood of producing an item having a desired shape and attributes.

While the foregoing approach does allow for the creation of cooling passages, it represents a relatively inefficient and costly process which undesirably increases  
20 the overall cost of production and may undesirably damage the formed tool. Such damage is particularly undesirable since many of these tools are relatively expensive.

There is therefore a need for a method to selectively create heating or cooling passages within a tool which overcomes some or all of the previously delineated drawbacks of prior techniques. Moreover, there is a further need to create a tool by the use of a method which allows cooling and heating passages to be efficiently formed within the tool and which does not potentially cause structural damage to the formed tool. These and other needs are addressed by the present invention, as is more fully delineated below.

#### SUMMARY OF THE INVENTION

It is a first non-limiting advantage of the present invention to provide a method for creating cooling passages within a tool which overcomes some or all of the previously delineated drawbacks of prior techniques.

It is a second non-limiting advantage of the present invention to provide a method for creating a tool which overcomes some or all of the previously delineated drawbacks and which, by way of example and without limitation, allows for the efficient formation of cooling passages within the tool.

It is a third non-limiting advantage of the present invention to provide a tool having cooling passages which may be efficiently and integrally formed within the tool and which allow a created item to be efficiently cooled while concomitantly increasing the working life of the tool.

According to a first aspect of the present invention, a tool is provided and includes at least a first sectional member and a second sectional member which is selectively coupled to said first sectional member and which cooperates with the first sectional member to form the tool, the at least first sectional member having a first portion and the second sectional member having a second portion which is at least partially aligned with the first portion when the second sectional member is coupled to the first sectional member and which cooperates with the first portion to form a cooling passage within the tool.

According to a second aspect of the present invention, a tool is provided. The tool is made by the process of creating a first member having at least one depressed portion; creating a second member having at least one depressed portion; registering the at least one depressed portion of the first member with the at least one depressed

portion of the second member by attaching the second member to the first member, thereby forming the tool and causing the first and second depressed portions to cooperatively form a cooling passageway within the formed tool.

5       According to a third aspect of the present invention, a method is provided for making a tool. The method includes the steps of forming a first member having a first portion of a certain shape; forming a second member having a second ~~portion of a certain shape; attaching the first member to~~  
10 the second member while registering the first portion with the second portion, thereby creating a tool having a passageway which is cooperatively formed by the registered first and second portions.

~~These and other features, aspects, and advantages of~~  
15 the present invention will become apparent to those of ordinary skill in the art from a reading of the following detailed description of the preferred embodiment of the invention and by reference to the following drawings.

BRIEF DESCRIPTION OF THE DRAWINGS

Figure 1 is a perspective view of a tool which is made in accordance with the teachings of the preferred embodiment of the invention; and

Figure 2 is a perspective unassembled view of a pair of sectional members of the tool which is shown in Figure 1;

~~Figure 3 is a perspective view of the tool which is~~ shown in Figure 1 and which is taken along view line 3-3;

Figure 4 is a perspective unassembled view of a pair of sectional members which are made in accordance with the teachings of an alternate embodiment of the invention in ~~combination with several spacer members;~~

Figure 5 is a view of an alternate embodiment of the tool which is shown in Figure 1 taken along view line 3-3; and

Figure 6 is a perspective unassembled view of a pair of sectional members which are made in accordance with the teachings of yet another alternate embodiment of the invention.

DETAILED DESCRIPTION OF THE PREFERRED EMBODIMENT OF THE  
INVENTION

Referring now to Figures 1 and 2, there is shown a tool 10 which is made in accordance with the teachings of the preferred embodiment of the invention. It should be realized that tool 10 may be of any substantially desired shape or geometric configuration and that nothing in this Application is intended to limit the applicability of the invention to a particular type of tool or apparatus. Rather, the tool 10 is one non-limiting example of a tool which may be produced according to the invention.

Particularly, tool 10 is made by the use of a lamination process in which several sectional members, such as sectional members 12,16 are selectively formed and then coupled or connected in a predetermined manner in order to cooperatively form the tool 10 having several cooling passages, such as and without limitation cooling passage 14 which is positioned between adjacent sectional members 12, 16. It should be appreciated that nothing in this Application is meant to limit the applicability of the invention to a particular type, shape, or configuration of sectional members. Moreover, the sectional members 12,16

are used for illustrative purposes only and are not meant to limit the invention in any manner.

Particularly, as will be noted from the discussion below and according to the preferred embodiment of the invention, cooling passages, such as passage 14, are selectively formed between adjacent sectional members, such as members 12, 16, by the cooperation of respective portions of the sectional members having a desired shape or ~~geometric configuration and these cooling passages allow~~ water, steam, and/or other material to traverse the tool 10 in order to cool the tool 10 and to cool the item or product which may be resident within the tool 10. The term "adjacent" means the sectional members are physically ~~connected, within or as part of the tool 10. This approach~~ is more fully explained below with respect to adjacent sectional members 12, 16. However, it should be apparent that by allowing these cooling passages, such as passage 14, to be created by structural portions or physical attributes and/or characteristics of the sectional members, the need for "drilling cooling holes" is obviated, thereby reducing/eliminating the potential for damage to the tool 10, concomitantly reducing overall production cost, and

overcoming the various other previously delineated drawbacks.

Particularly, each of the adjacent sectional members 12, 16, which are to form cooling passage 14, respectively includes a respective flat or broad surface 13 and at least one depressed or recessed slot, groove, or indentation 18, 20, which may be formed by etching, laser cutting, or substantially any other material removal process. The respective portions 18, 20 are "registered" (e.g., each groove 18 at least partially overlaps, is at least partially and linearly coextensive with, and/or is at least partially aligned with a unique one of the grooves 20) when the sectional members 12, 16 are connected (e.g., by a conventional lamination process), thereby forming the cooling paths 14. Hence, a cooling path 14, is formed by the registration (e.g., the at least partial "alignment") of a unique one of the portions 18 with a unique one of the portions 20. These portions 18, 20 may be of any desired and respective shape, size, and/or geometric configuration. Moreover, portions 20 of sectional member 16 may be of a different shape than portion 18 of sectional member 12 although, in Figure 1, these are shown as generally rectangular in nature. Hence, cooling passages 14 may be

selectively formed along any location or path within tool 10 by appropriately causing these portions 18, 20 to be created and to register in the desired location, and/or along the desired path.

5 An alternate embodiment is shown in Figures 4 and 5. Particularly, in this alternate embodiment, the sectional members 26, 28, which are to form a cooling passageway 14, each have a pair of opposed and substantially broad flat faces 30, 31. Substantially rectangular spacer members 32  
10 are selectively placed between the respective faces 30 of the members 26, 28 which are to be coupled and are effective to form cooling passages 32 which traverse through the formed tool. Spacer members 32 may be formed in any desired shape and size and a cooling passage is  
15 formed between each pair of spacer members and alongside the "end spacer members" (e.g., the spacer members 32 which are not disposed between two other spacer members).

In yet another embodiment of the invention, as best shown in Figure 6, the broad face 13 of member 12 overlays  
20 the portions 20 of member 16. In this manner, face 13 cooperates with portions 20 to form the desired cooling passages 14 through each groove or indentation 20.

It should be appreciated that the invention is not limited to the exact construction and method which has been described above, but that various alterations and modifications may be made without departing from the spirit and the scope of the inventions as are delineated in the following claims.

**CLAIMS:**

1. A tool comprising a first member; a second member; and at least one solid spacer member, said at least one solid spacer member being coupled to said first and second members while cooperating with said first and second members to form a tool having a cooling passage, wherein said spacer is attached to said first member by use of a first welded connection, wherein said spacer is attached to said second member by use of a second welded connection, and wherein said solid spacer member is generally rectangular in shape.

2. A tool comprising a first sectional member having a first flat surface portion; a second sectional member having a second flat surface portion; a plurality of substantially identical, generally rectangular shaped, and substantially solid spacer members, wherein each of said substantially solid spacer members are respectively coupled to said first flat surface at any respectively desired location and wherein each of said substantially solid spacer members are respectively coupled to said second flat surface, thereby said substantially solid spacer members cooperatively couple said first sectional member to said second sectional member while causing said first sectional member to be linearly coextensive to said first sectional member while concomitantly forming a plurality of passages between said first and said second sectional members.

3. The tool of claim 2 wherein each of said substantially solid spacer members are welded to said first flat surface.

4. A method for forming a tool comprising the steps of:  
creating a first sectional member having a first flat surface portion;

creating a second sectional member having a second flat surface portion;

creating a plurality of substantially identical, generally rectangular shaped spacer members, wherein each of said substantially identical spacer members are solid;

attaching each of said created plurality of substantially identical spacer members to said first flat surface at any respectively desired location; and

attaching each of said created plurality of substantially identical spacer members to said second flat surface, thereby causing said substantially solid spacer members to cooperate with said first and second sectional members while causing said first sectional member to be linearly coextensive to said first sectional member to form a plurality of passageways between said first and second sectional members.

5. The method of claim 4 wherein said plurality of substantially identical spacer members are welded to said first sectional member.

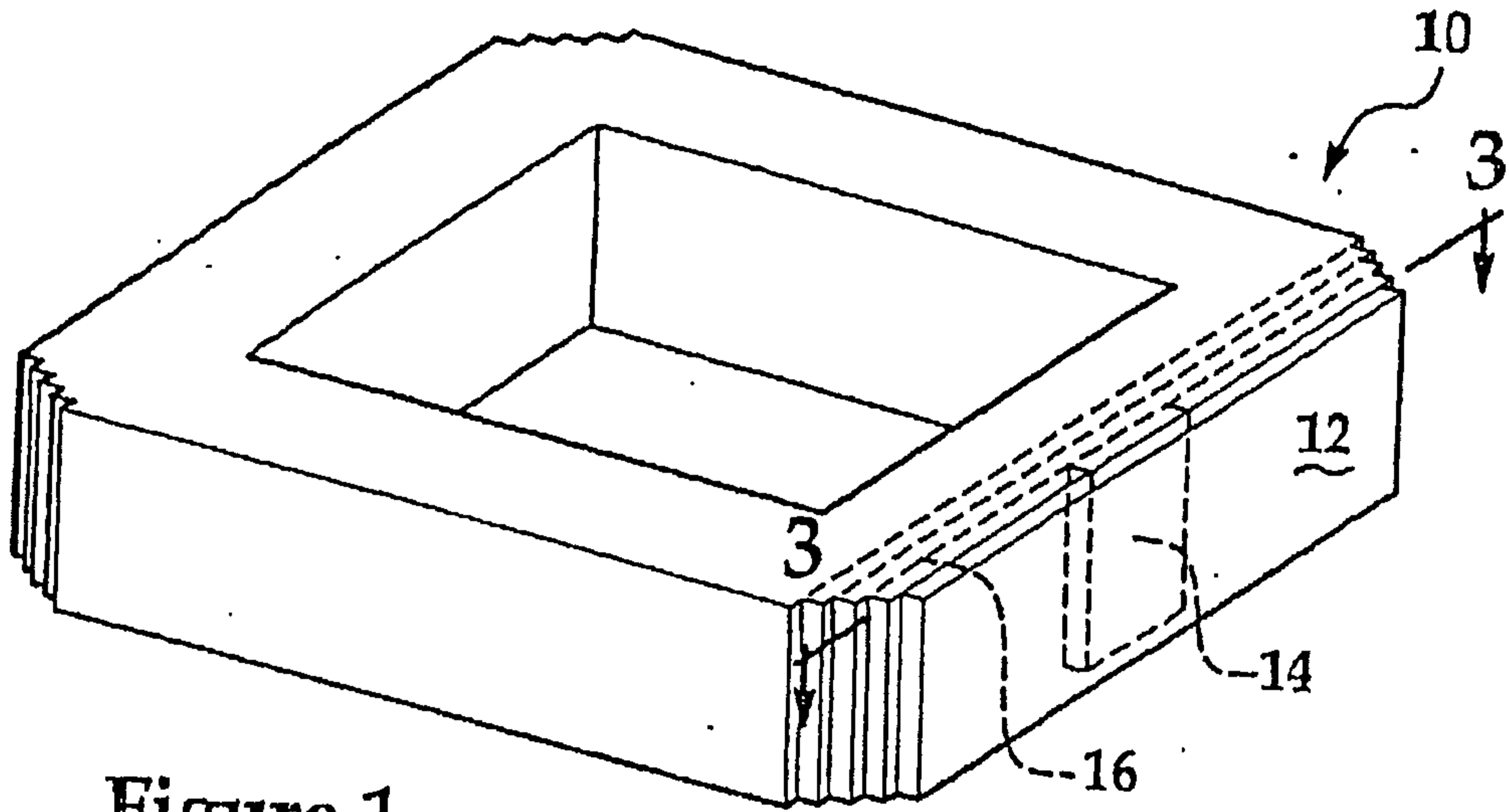


Figure 1

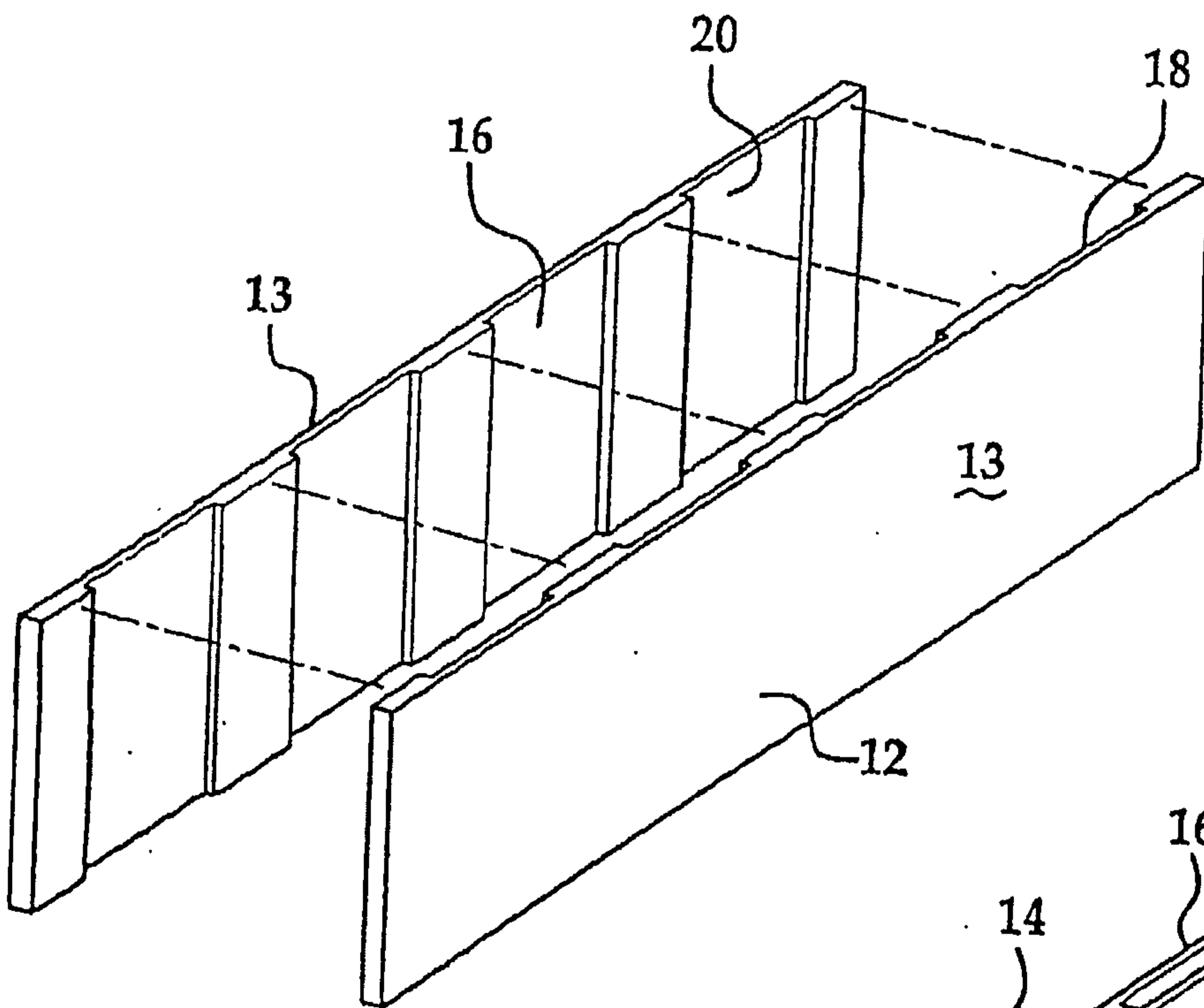


Figure 2

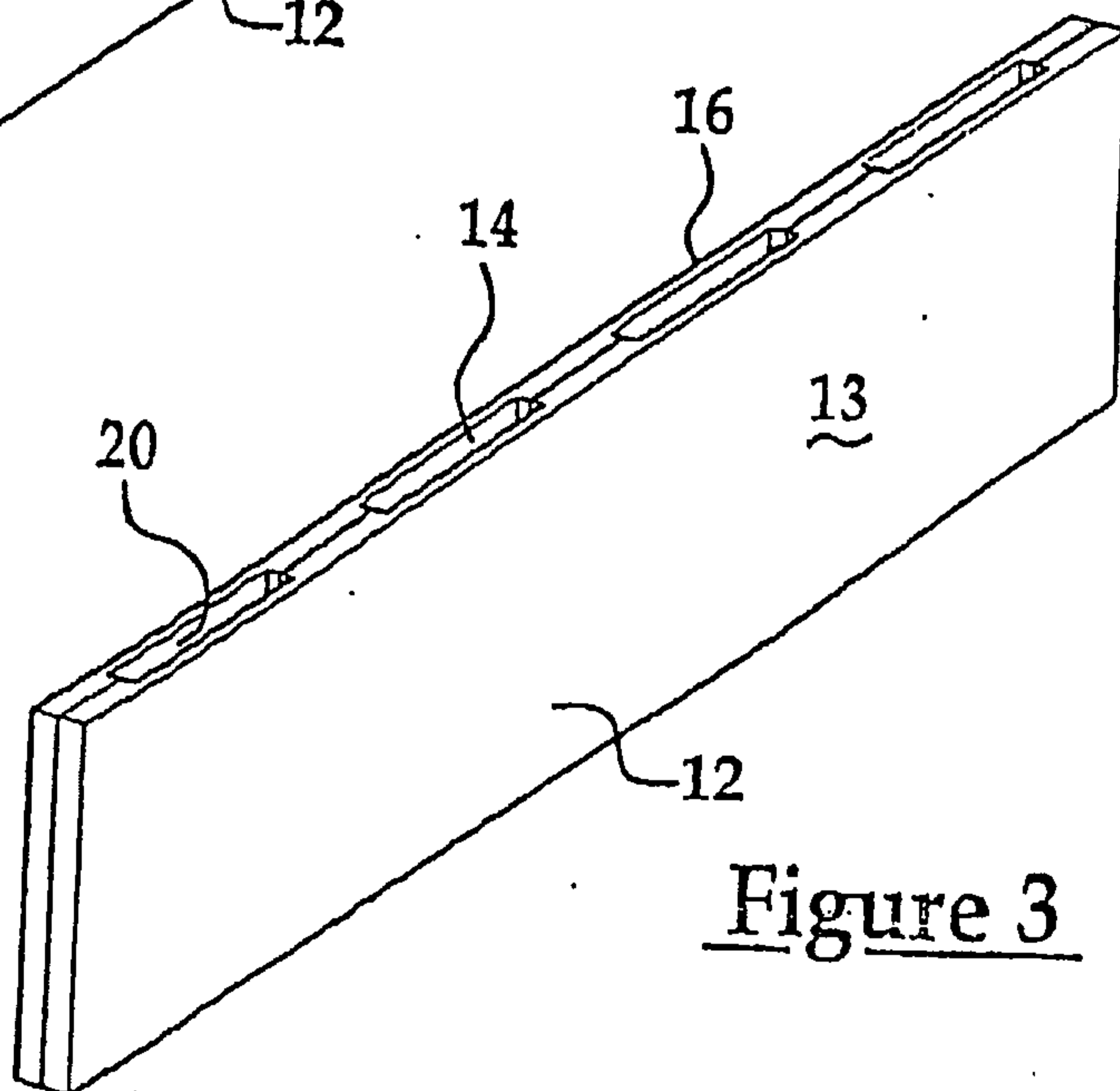


Figure 3

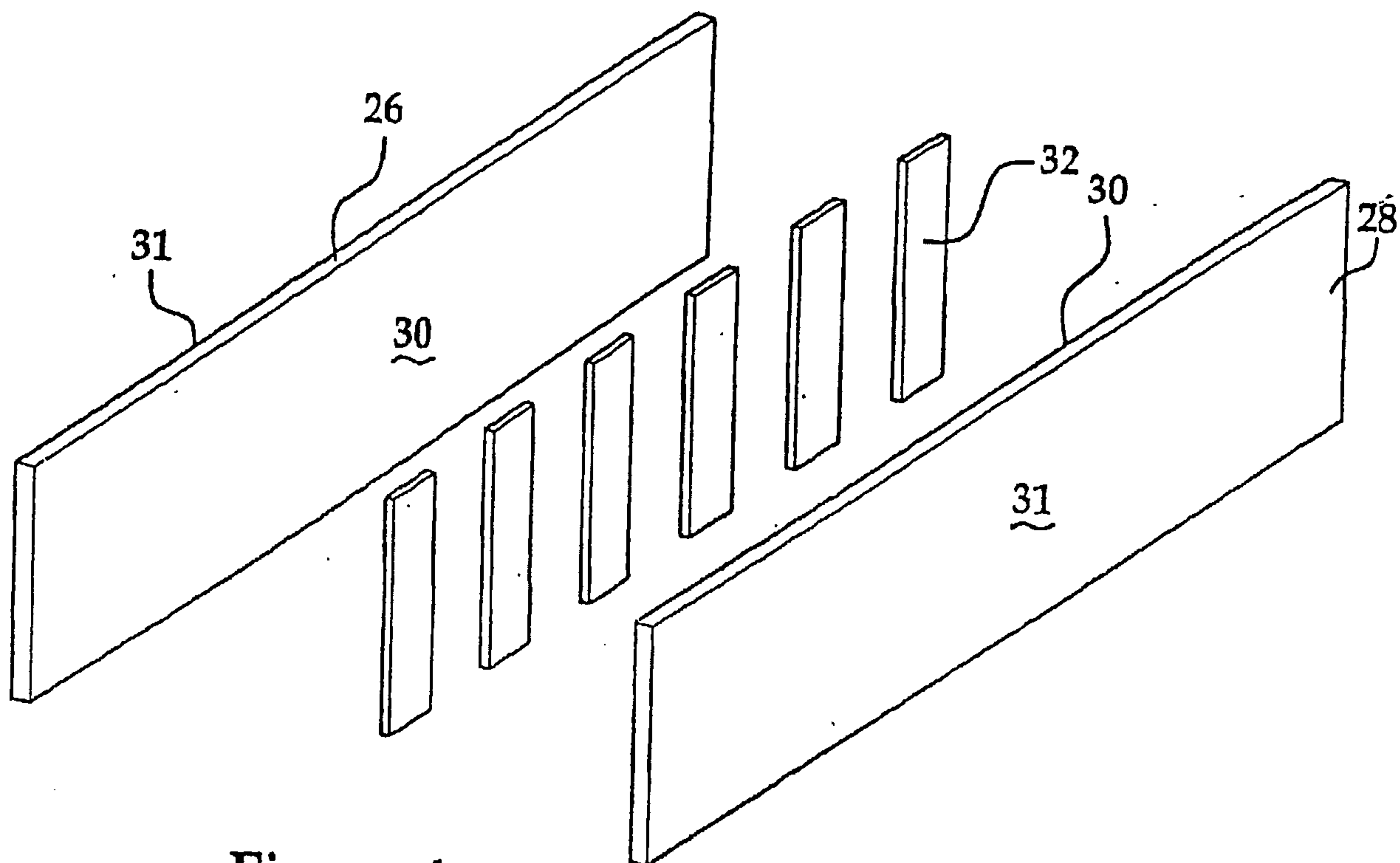


Figure 4

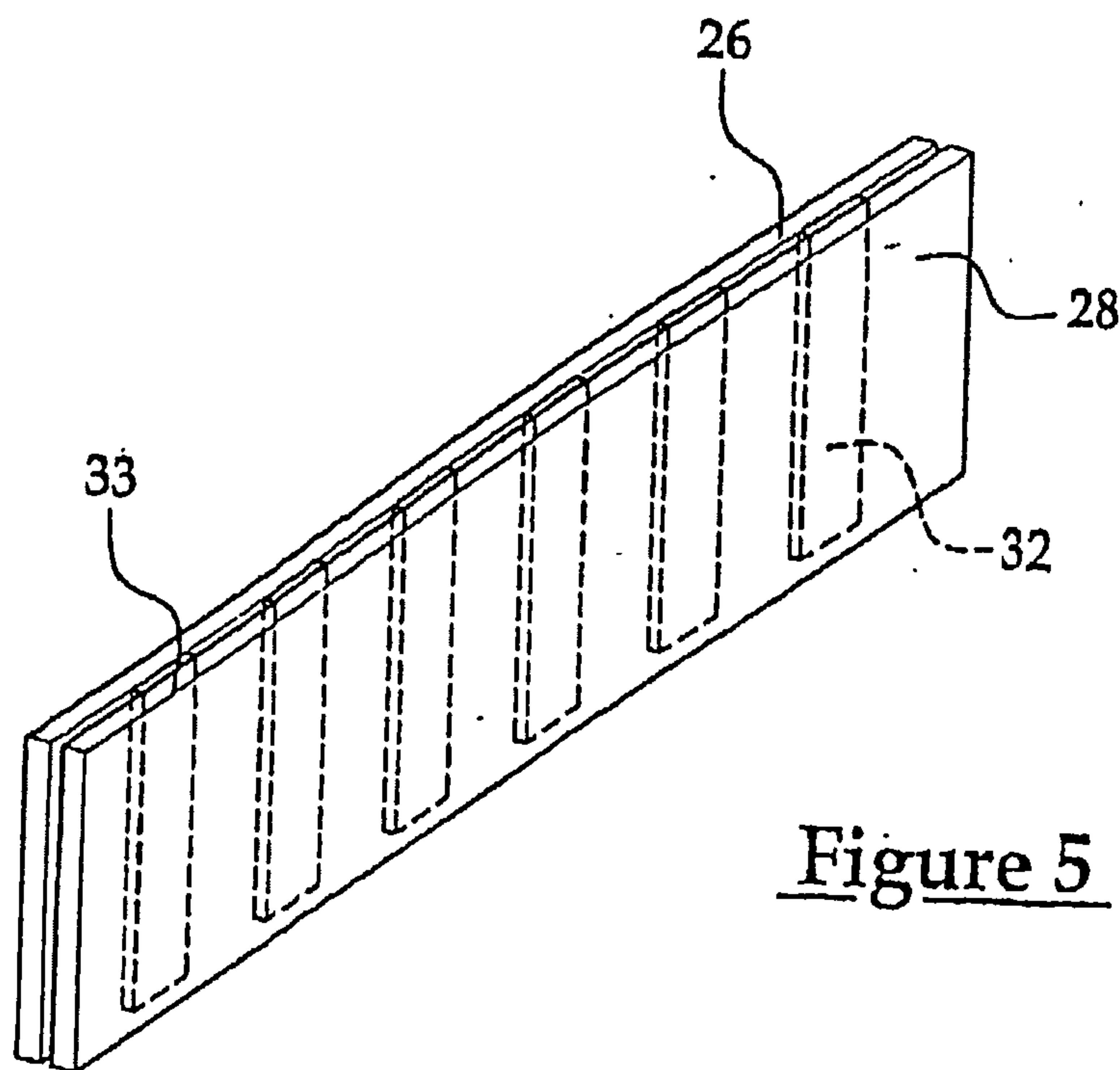


Figure 5

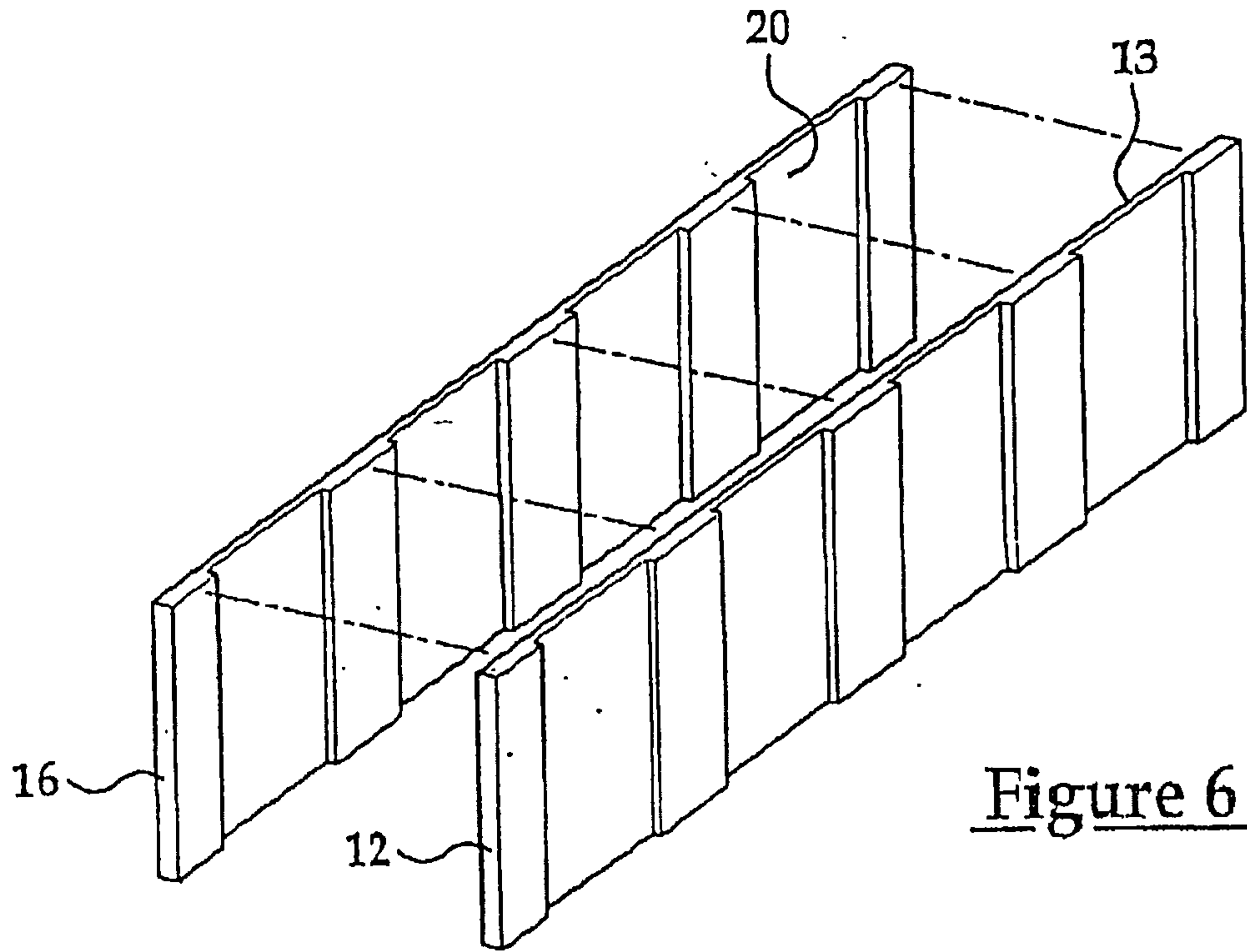


Figure 6

