



US00D596025S

(12) **United States Design Patent**
Mordechai

(10) **Patent No.:** **US D596,025 S**

(45) **Date of Patent:** **** Jul. 14, 2009**

(54) **FOLDABLE PACKING CASE WITH
OPTIONAL ATTACHABLE COVER**

(76) Inventor: **Kleiner Mordechai**, 8 Hagai Street,
Ramat-Gan (IL)

(**) Term: **14 Years**

(21) Appl. No.: **29/327,975**

(22) Filed: **Nov. 17, 2008**

(51) **LOC (9) Cl.** **09-03**

(52) **U.S. Cl.** **D9/432; D9/433**

(58) **Field of Classification Search** D9/430-433,
D9/414, 418, 420-423, 529, 560; 206/278,
206/297, 299, 433, 457, 770, 737, 769, 776,
206/777, 778; 229/100, 101, 103.3, 106,
229/107, 108, 108.1, 109, 110, 112, 116,
229/116.5, 117, 117.01, 117.03-117.08,
229/121, 122, 122.24, 122.29, 125.015, 126,
229/152, 181.1, 185.1, 186, 201, 917, 922,
229/923, 930-933, 935, 937, 939, 942

See application file for complete search history.

(56) **References Cited**

U.S. PATENT DOCUMENTS

715,026	A *	12/1902	Crawford	229/117.05
1,582,375	A *	4/1926	Bliss	229/125.26
D79,537	S *	10/1929	Thompson	D9/433
2,151,472	A *	3/1939	Hubbard	229/120.36
2,165,023	A *	7/1939	Aull	229/126
D154,978	S *	8/1949	Georges	D9/432
2,577,588	A *	12/1951	Paige	229/117
D179,279	S *	11/1956	Bloch	D9/423
3,039,670	A *	6/1962	Hardon	206/521.8
3,193,176	A *	7/1965	Gullickson	229/117.06
3,310,221	A *	3/1967	Duncan	229/185.1
3,348,667	A *	10/1967	Beeby	206/770
3,667,666	A *	6/1972	Pryor	229/185.1

3,670,948	A *	6/1972	Berg	229/117.06
3,917,157	A *	11/1975	Smith	206/512
4,101,052	A *	7/1978	Dove	229/101
D290,444	S *	6/1987	Osborne	D9/418
D316,372	S *	4/1991	Boggus, Jr.	D9/433

(Continued)

FOREIGN PATENT DOCUMENTS

WO WO-2005-019046 * 3/2005

Primary Examiner—T. Chase Nelson

Assistant Examiner—Karen Acker

(74) *Attorney, Agent, or Firm*—Fennemore Craig, P.C.

(57) **CLAIM**

The ornamental design for the foldable packing case with optional attachable cover, as shown and described.

DESCRIPTION

FIG. 1 is an illustrative top front perspective view of a foldable packing case with optional attachable cover according to my new design, wherein the packing case is shown open and with the optional cover unattached;

FIG. 2 is an illustrative top front perspective view of the design of FIG. 1 with the optional cover removed;

FIG. 3 is a perspective side view of the design of FIG. 2 shown in a collapsed state;

FIG. 4 is a bottom plan view of the design of FIG. 2;

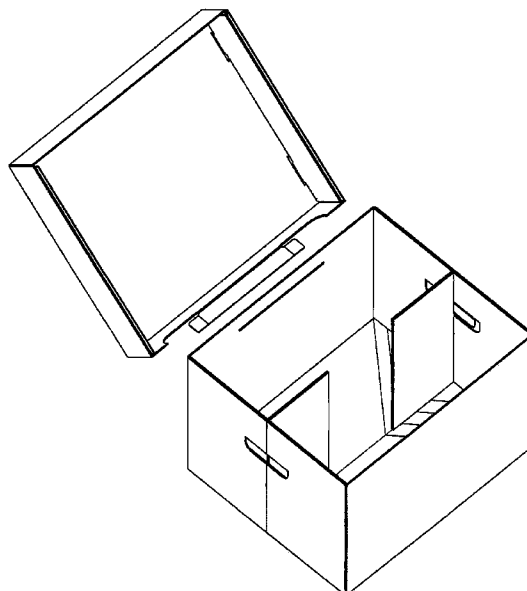
FIG. 5 is a top plan view of the design of FIG. 2;

FIG. 6 is an illustrative top rear perspective view of the design of FIG. 1 with the optional cover attached and closed;

FIG. 7 is a side view of the design of FIG. 6; and,

FIG. 8 is an unfolded view of the foldable packing case with optional attachable cover.

1 Claim, 8 Drawing Sheets



US D596,025 S

Page 2

U.S. PATENT DOCUMENTS

5,042,713	A *	8/1991	Stafford	229/117.02	D398,229	S *	9/1998	Herbst et al.	D9/433
5,062,527	A *	11/1991	Westerman	229/117	D398,230	S *	9/1998	Herbst et al.	D9/433
5,090,614	A *	2/1992	Kupersmit	229/117.04	D422,499	S *	4/2000	Herbst et al.	D9/433
D329,375	S *	9/1992	Bergman	D9/759	D483,666	S *	12/2003	Juma et al.	D9/433
D339,062	S *	9/1993	Williams	D9/432	6,736,309	B1 *	5/2004	Westerman et al.	229/117.05
5,294,043	A *	3/1994	Platt	229/143	6,988,653	B2 *	1/2006	Bell	229/117.05
5,460,324	A *	10/1995	Vinther	229/405	2006/0219768	A1 *	10/2006	Philips	229/186
D372,673	S *	8/1996	Turner	D9/432	2007/0210142	A1 *	9/2007	Wang	229/117.01
5,779,129	A *	7/1998	Herbst et al.	229/125.19	2008/0067222	A1 *	3/2008	Kleiner	229/117.06
D398,228	S *	9/1998	Herbst et al.	D9/433	2008/0173703	A1 *	7/2008	Westerman et al.	229/117.01
					2008/0237321	A1 *	10/2008	Chen	229/117.05

* cited by examiner

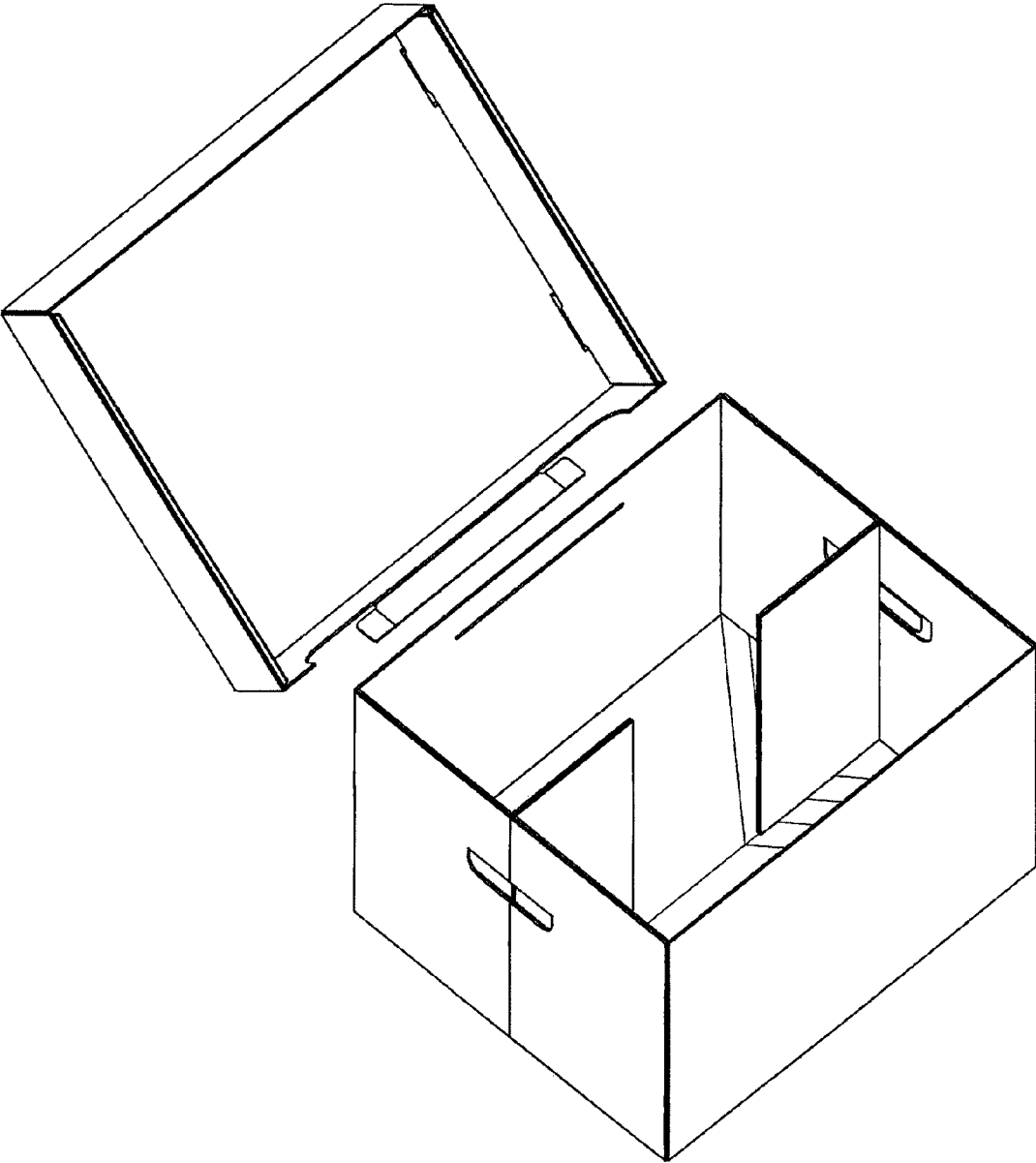


FIG.1

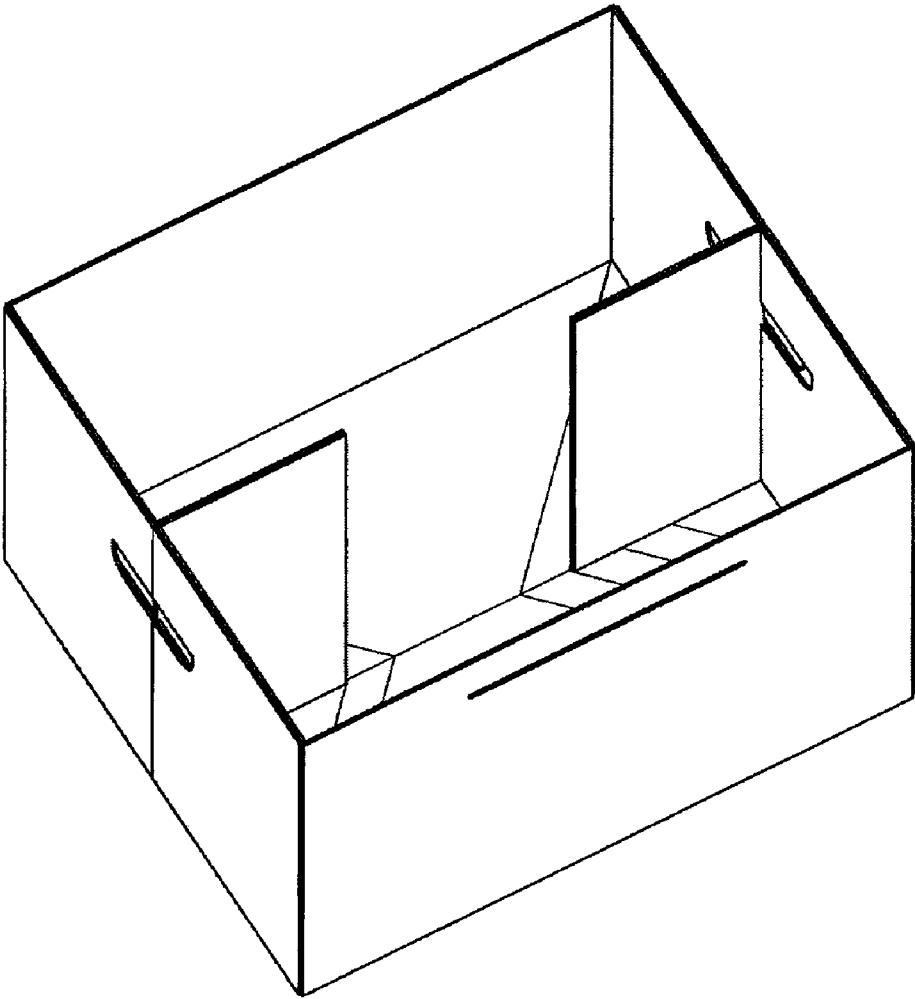


FIG.2

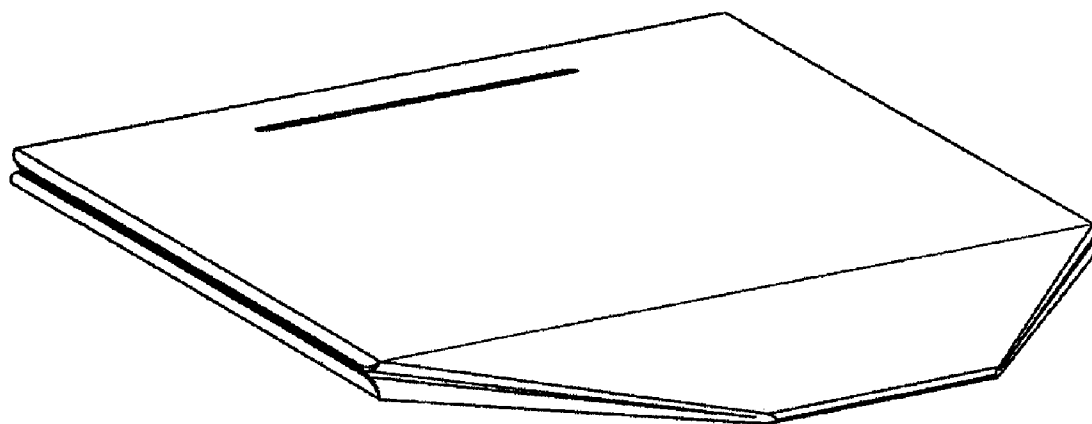


FIG.3

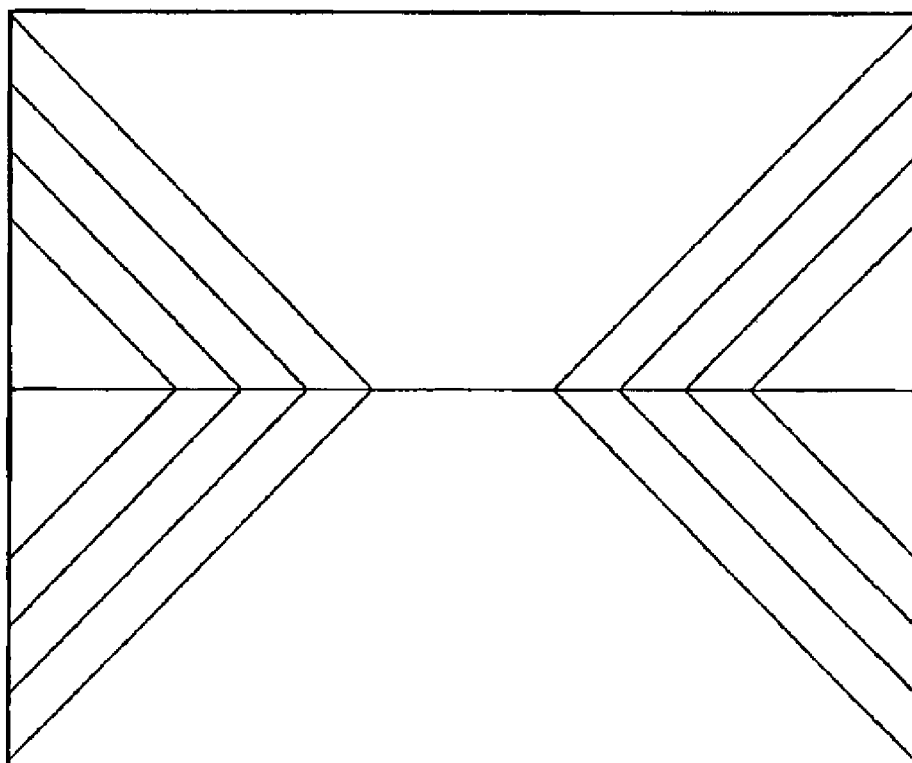


FIG. 4

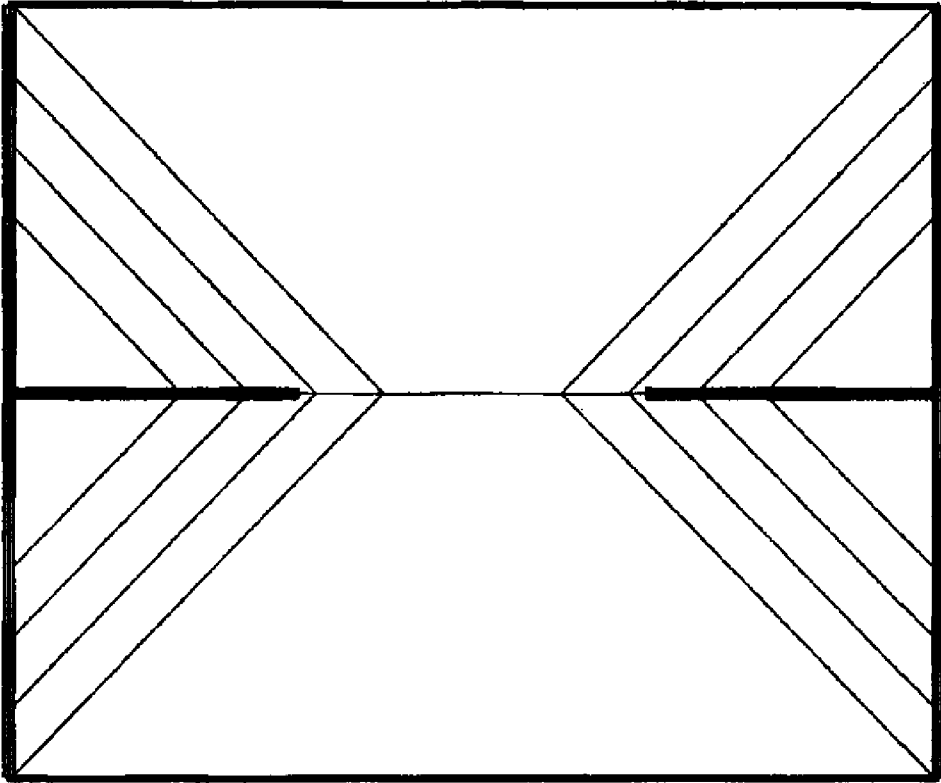


FIG.5

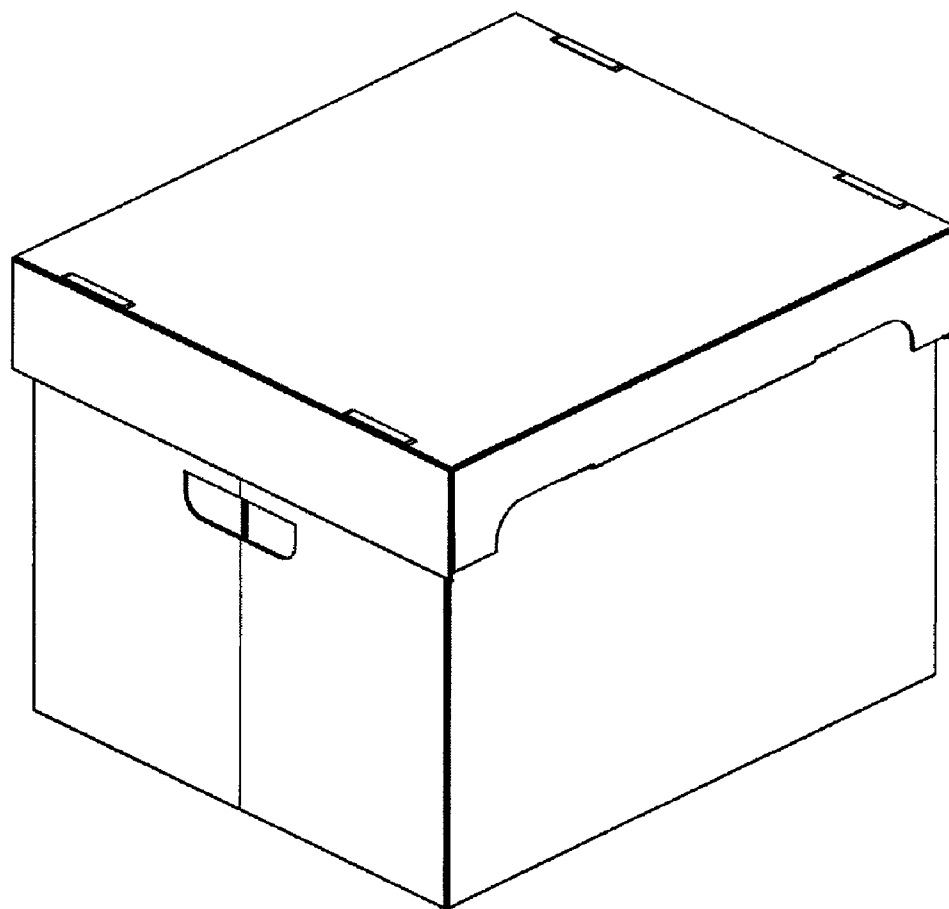


FIG.6

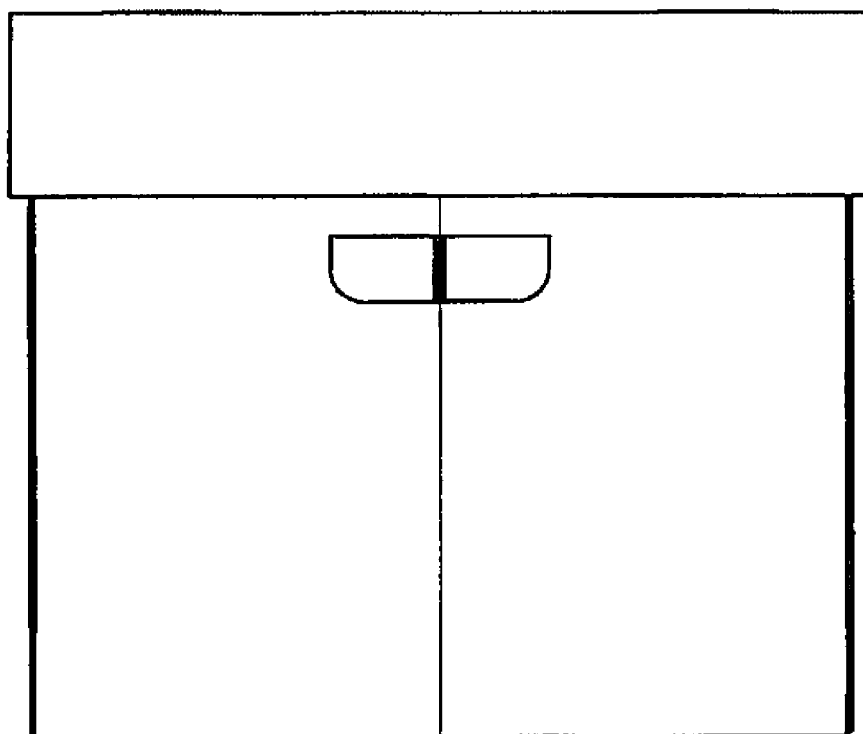


FIG. 7

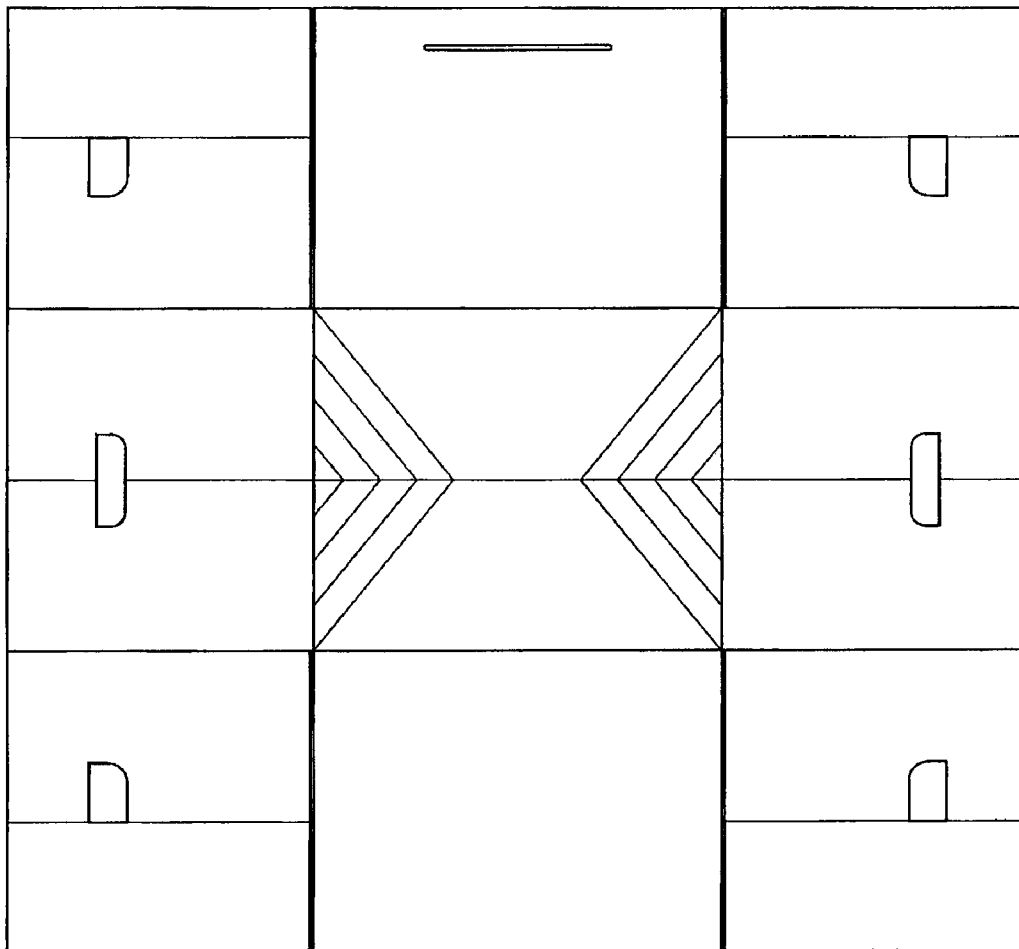
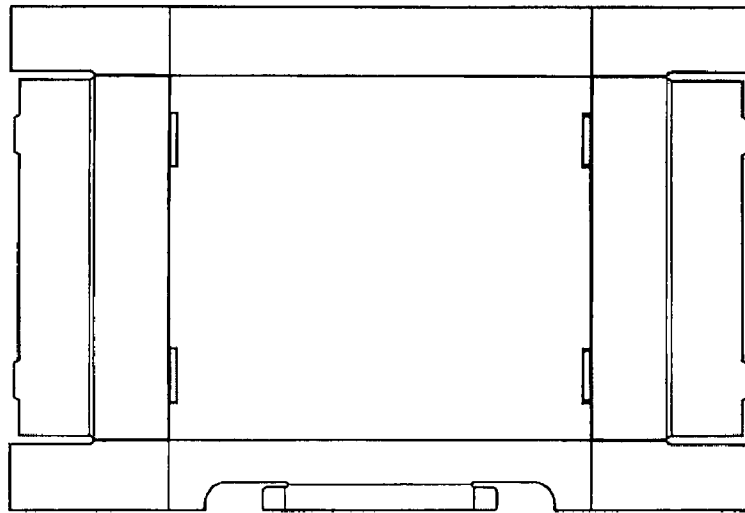


FIG.8

UNITED STATES PATENT AND TRADEMARK OFFICE
CERTIFICATE OF CORRECTION

PATENT NO. : Des. 596,025 S
APPLICATION NO. : 29/327975
DATED : July 14, 2009
INVENTOR(S) : Kleiner Mordechai

Page 1 of 1

It is certified that error appears in the above-identified patent and that said Letters Patent is hereby corrected as shown below:

Title Page; item (30);

Please add the following on the first page of the patent:

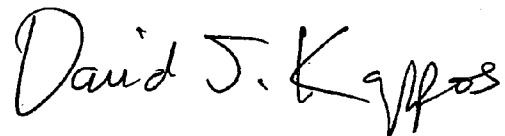
Foreign Application Priority Data

May 15, 2008 (IL) 45955

May 15, 2008 (IL) 45957

Signed and Sealed this

Eighteenth Day of August, 2009



David J. Kappos
Director of the United States Patent and Trademark Office