



US0D1028796S

(12) **United States Design Patent**
Song et al.

(10) **Patent No.:** **US D1,028,796 S**

(45) **Date of Patent:** **** May 28, 2024**

(54) **MOTORCYCLE**

(71) Applicant: **Indian Motorcycle International, LLC**, Medina, MN (US)

(72) Inventors: **Michael M. Song**, Maple Grove, MN (US); **Ola I. Stenegard**, Stanga (SE); **Jacob R. Horn**, North Branch, MN (US); **Ryan J. Ollinger**, Maple Grove, MN (US); **Michael W. Rafferty**, New Brighton, MN (US)

(73) Assignee: **Indian Motorcycle International, LLC**, Medina, MN (US)

(**) Term: **15 Years**

(21) Appl. No.: **29/796,876**

(22) Filed: **Jun. 28, 2021**

(51) **LOC (14) Cl.** **12-11**

(52) **U.S. Cl.**
USPC **D12/110**

(58) **Field of Classification Search**
USPC D12/110, 111, 117; D21/432, 538
CPC B62K 11/00; B62K 11/02; B62K 11/04;
B62K 11/10; B62K 17/00; B62K 19/00;
B62K 2202/00
See application file for complete search history.

(56) **References Cited**

U.S. PATENT DOCUMENTS

D383,096	S	*	9/1997	Abe	D12/110
D444,103	S	*	6/2001	Robb	D12/110
D504,640	S	*	5/2005	Conte	D12/110
D516,468	S	*	3/2006	Kuboshima	D12/110
D517,957	S	*	3/2006	Savage	D12/110

D543,905	S	*	6/2007	Domergue	D12/110
D544,816	S	*	6/2007	Davidson	D12/110
D582,318	S	*	12/2008	Kishi	D12/110
D723,979	S	*	3/2015	Yu	D12/110
D732,436	S	*	6/2015	Christoph et al.	
D744,906	S	*	12/2015	Song et al.	
D753,552	S	*	4/2016	McGinley	D12/110
D774,964	S	*	12/2016	Akashi	D12/110
D776,013	S	*	1/2017	Kiska	D12/110
D776,575	S	*	1/2017	Kiska	D12/110
9,694,870	B2	*	7/2017	Kawai	B62K 19/20
D793,285	S	*	8/2017	Toyama	D12/110
D796,384	S	*	9/2017	Galluzzi	D12/110
D796,385	S	*	9/2017	Galluzzi	D12/110
9,855,937	B2	*	1/2018	Ishii	B60T 8/344
2014/0291051	A1	*	10/2014	Yoshida	B62J 45/41 180/229

* cited by examiner

Primary Examiner — Darlington Ly

(74) *Attorney, Agent, or Firm* — Faegre Drinker Biddle & Reath LLP

(57) **CLAIM**

We claim the ornamental designs for a motorcycle, as shown and described.

DESCRIPTION

FIG. 1 is front and right perspective view of a motorcycle embodying our new design;
FIG. 2 is a front elevation view thereof;
FIG. 3 is a rear elevation view thereof;
FIG. 4 is a left elevation side view thereof;
FIG. 5 is a right elevation view thereof;
FIG. 6 is a top plan view thereof;
FIG. 7 is a bottom plan view thereof; and,
FIG. 8 is a front and left side perspective view thereof.

1 Claim, 8 Drawing Sheets





FIG. 1



FIG. 2

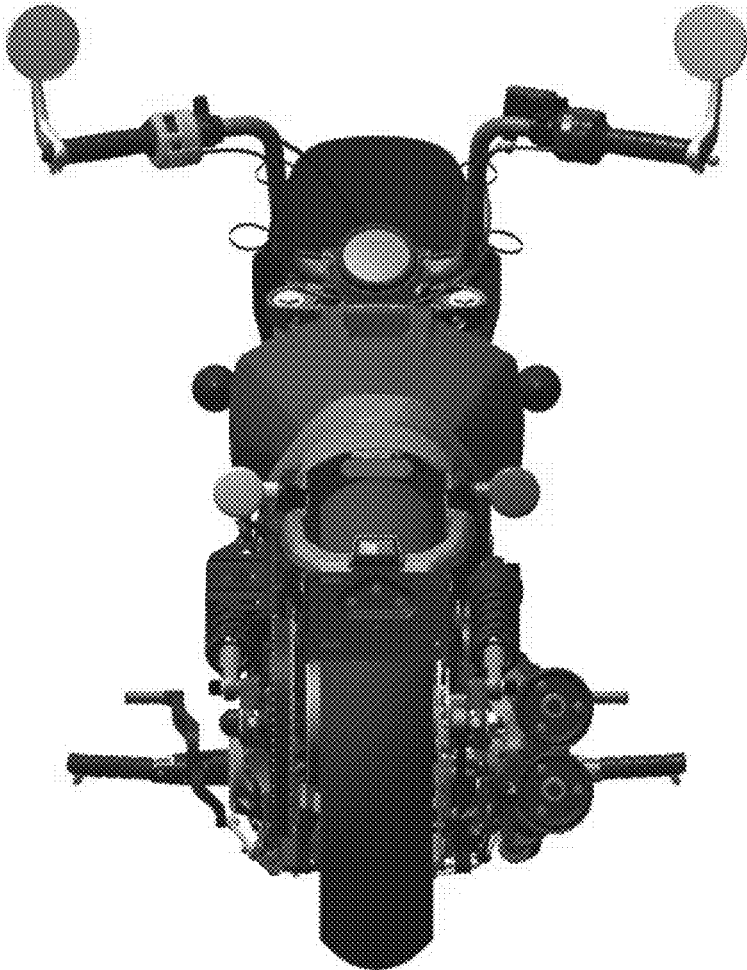


FIG. 3



FIG. 4



FIG. 5

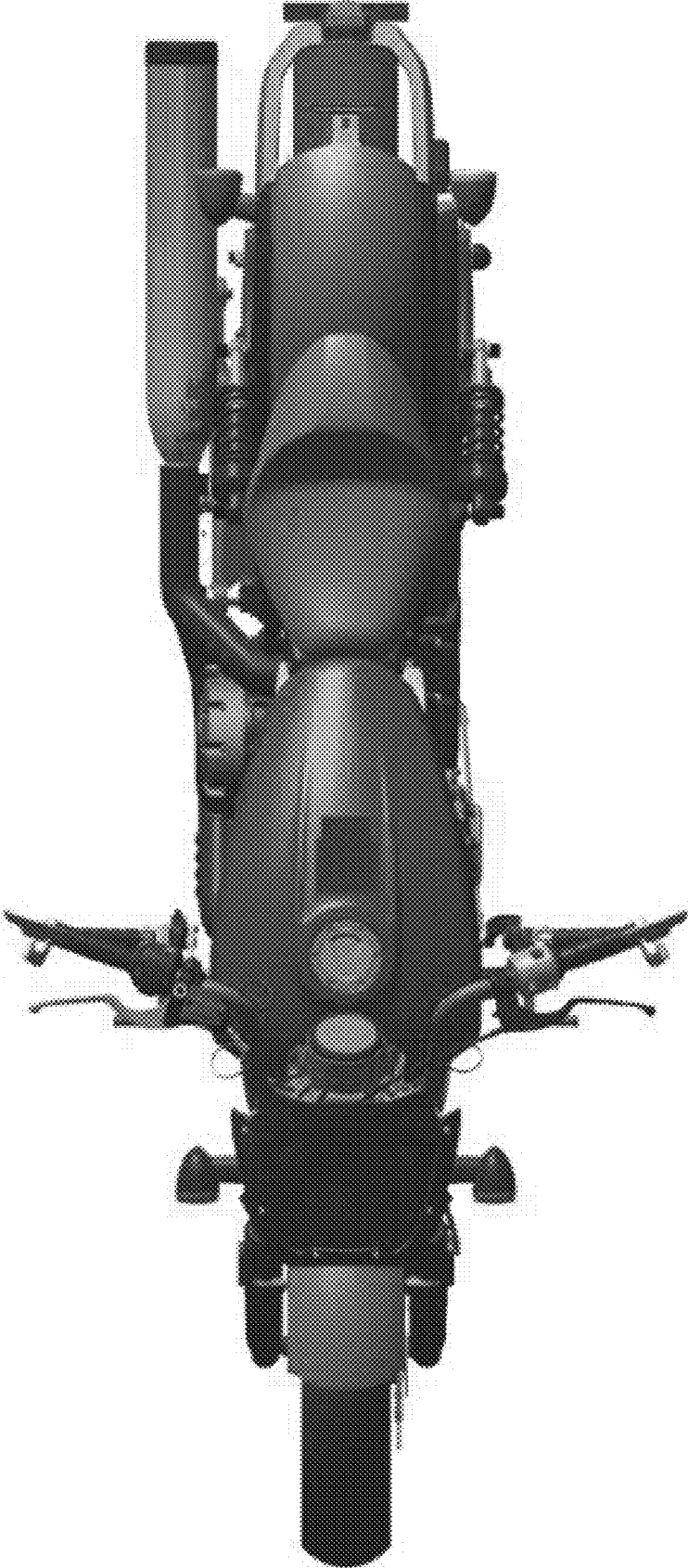


FIG. 6

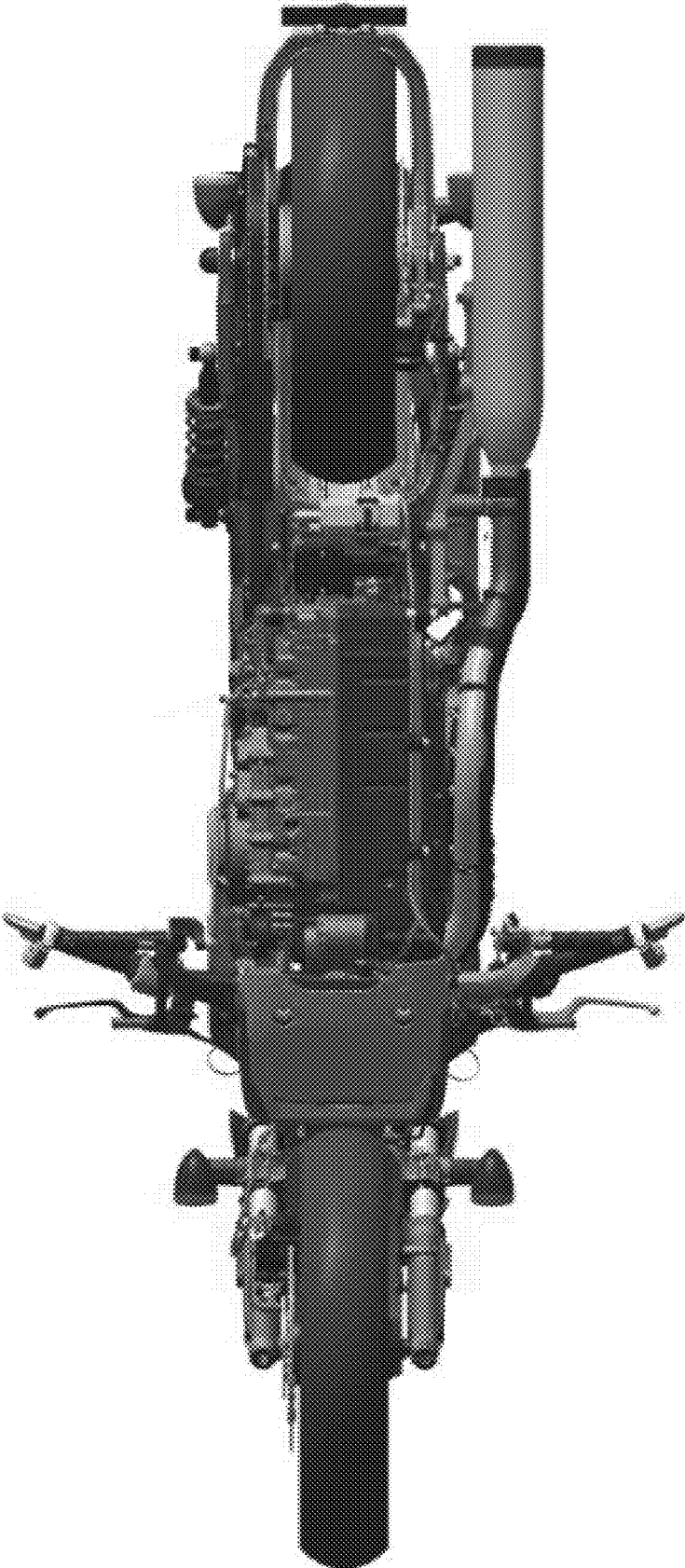


FIG. 7

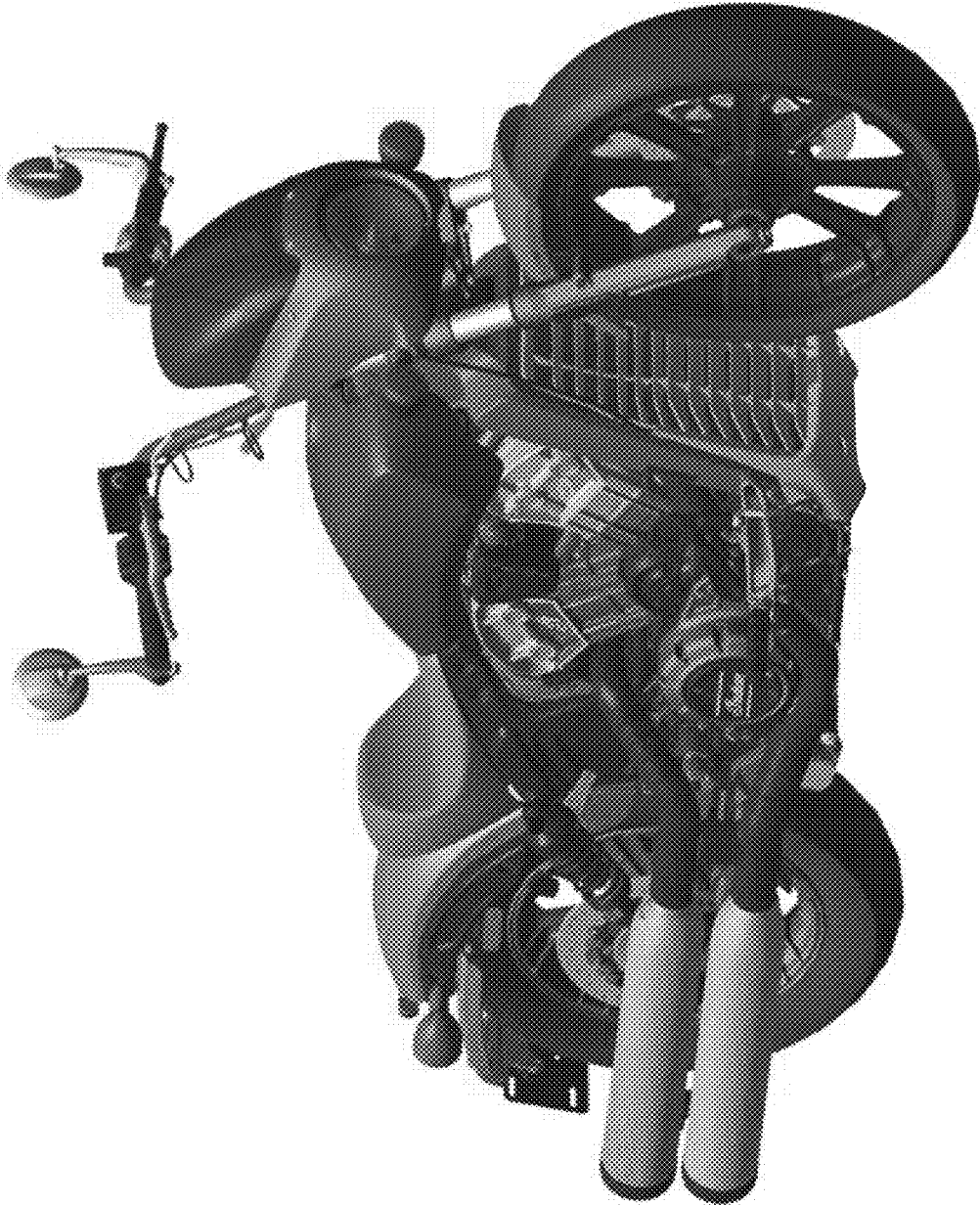


FIG. 8