

(19) World Intellectual Property Organization
International Bureau



(43) International Publication Date
13 December 2007 (13.12.2007)

PCT

(10) International Publication Number
WO 2007/142625 A2

(51) International Patent Classification:
A61B 17/064 (2006.01)

(21) International Application Number:
PCT/US2006/021524

(22) International Filing Date: 2 June 2006 (02.06.2006)

(25) Filing Language: English

(26) Publication Language: English

(71) Applicant (for all designated States except US): **TYCO HEALTHCARE GROUP LP** [US/US]; 195 McDermott Road, North Haven, CT (US).

(72) Inventors; and

(75) Inventors/Applicants (for US only): **VIOLA, Frank, J.** [US/US]; 320 Great Quarter Road, Sandy Hook, CT 06482 (US). **KREHEL, Gregg** [US/US]; 70 Sugar Lane, Newtown, CT 06470 (US). **SOLTZ, Michael, A.** [US/US]; 4214 Avalon Haven Drive, Apt 4214, North Haven, CT 06473 (US). **DESANTIS, Robert, J.** [US/US]; 67 Sport Hill Road, Redding, CT 06896 (US). **HOLSTEN, Henry** [US/US]; 131 Farmstead Road, Apt. 15, Southington, CT 06489 (US). **HEINRICH, Russell** [US/US]; 11 Beaver Pond Road, Madison, CT 06443 (US).

(74) Common Representative: **TYCO HEALTHCARE GROUP LP**; 195 McDermott Road, North Haven, CT 06473 (US).

(81) Designated States (unless otherwise indicated, for every kind of national protection available): AE, AG, AL, AM, AT, AU, AZ, BA, BB, BG, BR, BW, BY, BZ, CA, CH, CN, CO, CR, CU, CZ, DE, DK, DM, DZ, EC, EE, EG, ES, FI, GB, GD, GE, GH, GM, HR, HU, ID, IL, IN, IS, JP, KE, KG, KM, KN, KP, KR, KZ, LC, LK, LR, LS, LT, LU, LV, LY, MA, MD, MG, MK, MN, MW, MX, MZ, NA, NG, NI, NO, NZ, OM, PG, PH, PL, PT, RO, RU, SC, SD, SE, SG, SK, SL, SM, SY, TJ, TM, TN, TR, TT, TZ, UA, UG, US, UZ, VC, VN, YU, ZA, ZM, ZW.

(84) Designated States (unless otherwise indicated, for every kind of regional protection available): ARIPO (BW, GH, GM, KE, LS, MW, MZ, NA, SD, SL, SZ, TZ, UG, ZM, ZW), Eurasian (AM, AZ, BY, KG, KZ, MD, RU, TJ, TM), European (AT, BE, BG, CH, CY, CZ, DE, DK, EE, ES, FI, FR, GB, GR, HU, IE, IS, IT, LT, LU, LV, MC, NL, PL, PT, RO, SE, SI, SK, TR), OAPI (BF, BJ, CF, CG, CI, CM, GA, GN, GQ, GW, ML, MR, NE, SN, TD, TG).

Published:

— without international search report and to be republished upon receipt of that report

For two-letter codes and other abbreviations, refer to the "Guidance Notes on Codes and Abbreviations" appearing at the beginning of each regular issue of the PCT Gazette.



WO 2007/142625 A2

(54) Title: SURGICAL STAPLER WITH TIMER AND FEEDBACK DISPLAY

(57) Abstract: A surgical apparatus has a clamp and a stapling mechanism. The clamp has a first jaw and a second jaw to clamp on a body tissue at a desired location for a stapling operation. The stapling mechanism is controlled by a trigger handle or a switch assembly. The surgical apparatus has a controller for providing a delay between clamping and actuating of the firing mechanism of the stapling mechanism. The delay provides for a desired amount of time for tissue compression producing a more uniform staple formation. The surgical apparatus also has an indicator. The indicator provides feedback about the status of the stapling mechanism and also displays a time of tissue compression by the clamp.

SURGICAL STAPLER WITH TIMER AND FEEDBACK DISPLAY

CROSS REFERENCE TO RELATED PATENT APPLICATIONS

This patent application claims priority to United States Provisional
5 Patent Application Serial No. 60/687,406 to Viola, *et al.*, filed on June 3, 2005
which is herein incorporated by reference in its entirety. This patent
application also claims priority to United States Provisional Patent Application
Serial No. 60/687,244 to Viola, *et al.*, filed on June 3, 2005 which is also
herein incorporated by reference in its entirety. This patent application also
10 relates to United States Patent Application Serial No. _____ to Viola, *et al.*,
(Attorney Docket No. H-US-00377 (203-4730) filed contemporaneously with
the instant patent application which is herein incorporated by reference in its
entirety.

15 BACKGROUND

1. Technical Field

The present disclosure relates to surgical instruments. More
particularly, the present disclosure relates to a surgical stapling device that
has a feedback and a timer device. Even more particularly, the present
20 disclosure relates to a surgical stapling device that has a controller to
modulate one or more parameters of the surgical stapling device and to
provide for compression of tissue. Still even more particularly, the present
disclosure relates to a surgical stapling device that may also include a
sensory indicator (*i.e.*, visual, audible, tactile) which determines position, time,
25 or other valuable user feedback.

2. Background of the Related Art

Once under pressure from a jawed structure, such as a clamping device, of a surgical stapler, the body tissue will slowly compress.

5 Compression by a clamping device reduces the amount of blood and fluid to the clamped tissue. Without such compression, an uncompressed body tissue remains thicker whereas the compressed body tissue would be thinner, and more compact. Compressing the tissue also causes blood and other fluid to generally traverse from the high pressure or compressed area to another
10 low pressure or adjacent area.

Once released, the fluid due to the visco-elastic property of the tissue will return from the adjacent area to the previously compressed tissue. Some current surgical stapling devices initially compress tissue prior to the
15 introduction of the staple into the body tissue. The amount of time tissue is compressed is currently left to the discretion of the surgeon. The surgeon manually controls the amount of time that the tissue is compressed prior to firing the staples into tissue. It would be therefore desirable to have a surgical stapling device that consistently fires staples after a predetermined amount of
20 compression.

SUMMARY

According to a first embodiment of the present disclosure, there is
25 provided a surgical stapler that has a handle assembly including a stationary

handle and a pivotable handle mounted for manipulation through an actuating stroke. In another embodiment, the stapler may have a trigger that is operable to manipulate a cam member through the actuating stroke. The stapler also has an elongated body extending distally from the handle
5 assembly and defining a longitudinal axis and a staple cartridge supported adjacent the distal end of the elongated body and containing a plurality of staples.

The stapler further has an anvil pivotally mounted in relation to the
10 cartridge adjacent the distal end of the elongated body with the anvil having a fastener forming surface thereon and being mounted for pivotal movement in relation to the cartridge between an open position having a distal end spaced from the staple cartridge and a closed position in close cooperative alignment with the staple cartridge. The stapler also has an actuation sled supported
15 within the cartridge. The actuation sled moves to urge the plurality of staples from the cartridge.

The stapler further has a drive assembly including a body having a working end and a cam member supported on the working end. The cam
20 member is positioned to translate relative to the anvil to maintain the anvil in the closed position during firing of the stapler. The trigger or pivotable handle is operatively connected to the drive assembly such that manipulation of the pivotable handle through its actuating stroke effects translation of the cam member relative to the anvil. The stapler also has a channel for supporting
25 the staple cartridge and a controller configured to control the actuation sled

supported within the cartridge. The controller delays movement of the actuation sled to urge the plurality of staples from the cartridge for a predetermined time period when the anvil is in the closed position and in cooperative alignment with the staple cartridge.

5

According to another aspect of the present disclosure, the surgical stapler has a handle assembly including a stationary handle and a trigger configured to manipulate a cam member through an actuating stroke. The stapler also has an elongated body extending distally from the handle
10 assembly and defining a longitudinal axis and a staple cartridge supported adjacent the distal end of the elongated body with staples. The stapler further has an anvil pivotally mounted in relation to the cartridge adjacent the distal end of the elongated body. The anvil has a fastener forming surface thereon and is mounted for pivotal movement in relation to the cartridge between an
15 open position having a distal end spaced from the staple cartridge and a closed position in close cooperative alignment with the staple cartridge.

The stapler also has an actuation sled supported within the cartridge. The actuation sled moves to urge the staples from the cartridge. The drive
20 assembly includes a body having a working end and a cam member supported on the working end. The cam member is positioned to translate relative to the anvil to maintain the anvil in the closed position during firing of the stapler.

The trigger is connected to the drive assembly such that manipulation of the trigger through its actuating stroke effects translation of the cam member relative to the anvil. The stapler also has a channel for supporting the staple cartridge. The stapler also has a controller. The controller is

5 configured to control the actuation sled supported within the cartridge. The controller delays the actuation sled's movement to urge the plurality of staples from the cartridge for a predetermined time period when the anvil is in the closed position and in cooperative alignment with the staple cartridge. The surgical stapler also has an indicator connected to the controller. The

10 controller controls the indicator to provide an indication when the predetermined time period is reached.

According to another embodiment of the present disclosure, there is provided a method for stapling tissue. The method includes the steps of

15 locating tissue between a staple cartridge and an anvil and compressing tissue between the staple cartridge and the anvil. The method also has the step of manipulating an actuator to fire staples from the staples cartridge. The actuator is configured to automatically delay firing staples for a predetermined time period. The predetermined time period is suitable in length to allow

20 compression of the tissue for the predetermined time period and to allow tissue to settle from a first initial state into a second compressed state. The method also has the steps of urging staples from the staple cartridge through the tissue at the elapse of the predetermined time period when the tissue is in the second compressed state.

25

According to another aspect of the present disclosure, the surgical stapler has a controller to place a delay between actuation of the firing mechanism component and actual firing of the staple.

5 According to another aspect of the present disclosure, the surgical stapler has a control device that controls a stroke parameter, a distance parameter and/or a time parameter of a firing mechanism component to increase a tissue compression time of the clamp.

10 According to still another aspect of the present disclosure, the surgical stapler has a motor and a first switch. The first switch is connected to a motor and delays the motor from actuating in order to achieve an amount of tissue compression by a clamp. The surgical stapler may have a second switch. The second switch senses another location of a drive screw and actuates a
15 reverse function of the motor to return the drive screw to an initial position.

 According to still yet another aspect of the present disclosure, the surgical stapler has an indicator that measure a distance traveled of the drive screw or a tissue compression time of the clamp.

20

 According to still another aspect of the present disclosure, the surgical stapler has a visual indicator that indicates a position of the firing mechanism component or indicates a status condition of the surgical stapling.

In another embodiment of the present disclosure, there is provided a surgical stapler. The stapler has a handle assembly including a trigger and a clamping device with a staple cartridge including a plurality of staples and an anvil having a fastener forming surface thereon. The stapler has a controller
5 configured to determine an occurrence of clamping by the anvil and the staple cartridge. The controller controls a firing of the plurality of staples from the staple cartridge. When the trigger is actuated the controller delays firing of the plurality of staples from the staple cartridge to provide for a predetermined time period of tissue compression of the tissue between the anvil and staple
10 cartridge. The controller outputs a control signal to allow firing once the predetermined time period is reached.

DESCRIPTION OF THE DRAWINGS

Other and further objects, advantages and features of the present
15 disclosure will be understood by reference to the following specification in conjunction with the accompanying drawings, in which like reference characters denote like elements of structure and:

Fig. 1 is a perspective view of a first embodiment of a surgical stapler
20 of the present disclosure;

Fig. 2 is a block diagram of a number of components of the surgical stapler of Fig. 1;

Fig. 2A is an exploded view of a channel of the surgical stapler of Fig. 1;

Fig. 2B is an exploded view of the staple cartridge, anvil and the drive sled of Fig. 1;

Fig. 3 is a perspective view of another embodiment of the surgical stapler of the present disclosure having a plurality of lights;

Fig. 4 is a perspective view of still another embodiment of the surgical stapler with a linear indicator or display;

Fig. 5 is a perspective view of yet another embodiment of the surgical stapler having a digital indicator or display;

Fig. 6 is a perspective view of still another embodiment of the surgical stapler with an analog indicator or display;

Fig. 7 is a cross sectional view of the surgical stapler of Fig. 3 along line 7-7;

Fig. 8 is another cross sectional view of still another embodiment of the surgical stapler of the present disclosure along line 7-7 of Fig. 3 with the stapler having a first switch and a second switch;

Fig. 8A is another cross sectional view of another embodiment of the stapler of Fig. 8 having the first switch which engages a tab on the lever;

Fig. 8B is still another cross sectional view of yet another embodiment
5 of the stapler of Fig. 8 having the first switch located distally on the lever;

Fig. 9 is another perspective view of still another embodiment of the surgical stapler with an audible alarm;

10 Fig. 10 is still another perspective view of another embodiment of the surgical stapler having the display showing an image;

Fig. 11 is a schematic/cross sectional view of a travel path of a drive member through an endoscopic portion of the surgical stapler with a resistor
15 strip; and

Fig. 12 is a schematic of another embodiment of the surgical stapler having a non-contact sensor.

20 DETAILED DESCRIPTION

In the drawings and in the description which follows, the term "proximal", as is traditional, will refer to the end of the apparatus which is closest to the operator, while the term "distal" will refer to the end of the apparatus which is furthest from the operator.

25

The present disclosure can be used with any stapler device known in the art and is intended to encompass the same, and is intended to be discussed in terms of both conventional and endoscopic procedures and apparatus. However, use herein of terms such as "endoscopic",
5 "endoscopically", and "endoscopic portion", among others, should not be construed to limit the present disclosure to an apparatus for use only in conjunction with an endoscopic tube. The apparatus of present disclosure may find use in procedures in these and other uses including but not limited to uses where access is limited to a small incision such as arthroscopic and/or
10 laparoscopic procedures, or other conventional medical procedures. The present mechanism may also be used with surgical stapling devices that have independent or combined clamping and firing procedures. The present disclosure may further be incorporated with surgical stapling devices that have simultaneous or dependent clamping and firing mechanisms. The
15 present disclosure is also intended to be used with such surgical stapling devices which have a discrete clamping gradient.

Referring now to the figures, wherein like reference numerals identify similar structural elements of the subject disclosure, there is illustrated in FIG.
20 1 a self-contained, powered surgical stapler constructed in accordance with an embodiment of the subject disclosure and designated generally by reference numeral 10. The surgical stapler 10 is generally intended to be disposable, however the disposable arrangement is non-limiting and other non-disposable arrangements may be contemplated and are within the scope
25 of the present disclosure.

The surgical stapler 10 of the present disclosure (shown in a perspective view in Fig. 1 and described herein) includes a frame generally represented by reference numeral 12 and handle generally represented by reference numeral 14. The frame 12 defines a series of internal chambers or spaces for supporting various inter-cooperating mechanical components of the surgical stapler 10 as well as a number of staples therein for the application to the body tissue.

The frame 12 supports a portion 16 or an extended tube-like portion. The portion 16 is capable of being rotated and has a relatively narrow diameter in a range of about 10 millimeters, and is for insertion into a small opening or tube inserted into the body, such as in the abdominal cavity, or other similar body cavities. The portion 16 has a longitudinal axis and has a length appropriate for reaching the operation site in the interior of the body. The surgical stapler 10 may be used in conjunction with other instruments such as endoscopes or other such optical devices for visually examining the interior of the body, for example, cameras by means of CCD devices, fiber optics or other optical or recording devices.

Generally, portion 16 of the surgical stapler 10 is inserted through the small opening or wound, and is manipulated to the operation site. The present disclosure is intended to be used with any surgical stapler including but not limited to surgical staplers having simultaneous clamping and independent clamping.

Portion 16 has a fastening assembly generally represented by reference number 18 and cutting assembly (not shown) that is known in the art. The fastening assembly 18 and the cutting assembly (not shown) are located in a housing 20 which carries a fastener and an optional cutter to the operation site. The fastening assembly 18 in this particular embodiment has a jaw or a staple cartridge 21 and a second jaw or anvil 22. The staple cartridge 21 and the anvil 22 may be brought into close cooperative alignment with one another so the jaws 21, 22 form a clamp therebetween. The jaws 21, 22 may be a first and second jaw that open and close or may be another different clamping type structure as is known in the art. The staple cartridge 21 may be located at the distal end of the housing 20, in the jaws 21, 22 themselves or may be located in other locations as described in United States Patent No. 7,044,353 to Mastri, et al. which is herein incorporated by reference in its entirety. The staple cartridge 21 has one or a number of rows of staples. The surgical stapler 10 also has an anvil (not shown) and further may include an optional knife (not shown) as is well known in the art for accomplishing the stapling. It is appreciated that the closing of the jaws 21, 22 with the staple cartridge 21 and the anvil 22 may be accomplished by pivoting the anvil 22 relative to the staple cartridge 21, or by pivoting the staple cartridge 21 relative to the anvil 22, or by pivoting both the staple cartridge 21 and the anvil 22 relative to one another.

Generally, actuating the operating portion of the fastening assembly 18 is accomplished via intermediate components disposed on or within the

narrow longitudinally extending tubular portion 16. In one non-limiting embodiment, a cylindrical tubular sleeve member surrounds the portion 16. The sleeve may be manipulated in a direction with the longitudinal axis of the surgical stapling device. The sleeve slides onto the anvil 22 for closing the jaws 21, 22 that are biased open by a biasing device (not shown) to accomplish the clamping. The surgical stapler 10 of the present disclosure has three basic actions or functions, however, the present disclosure is intended to be used with any surgical stapler including but not limited to surgical staplers having simultaneous clamping (*i.e.*, clamping and firing the stapler at the same time) and independent clamping (*i.e.*, clamping prior to the staple firing).

First, portion 16 is introduced into the human or animal body and is positioned with the jaws 21, 22 aligned at the desired stapling site to receive the target tissue. This may involve rotation of the portion 16 relative to the body, either by rotating the surgical stapler 10 as a whole, by rotating simply the portion 16 relative to the frame 12 as permitted, or a combination of both actions. Thereafter (*i.e.*, secondly), the surgical stapler 10 secures the target body tissue between the staple cartridge or jaw 21 in the distal portion of the housing 20 and the anvil 22. This is accomplished by a clamping action of the jaws 21, 22 or alternatively by another similar or different clamping member.

The jaws 21, 22 are allowed to remain in the closed position for a desired period of time depending on the particular tissue. By configuring the jaws 21, 22 to remain closed for a predetermined period of time allows any

excess liquid or fluid in the tissues to drain out of the body tissues prior to actuation of the stapling cartridge 21. This ensures that the liquid does not traverse out of the tissues after firing to form non-uniform staples and instead ensures a proper and uniform staple formation.

5

With the target tissue clamped between the anvil 22 and the staple cartridge 21, a camming surface which surrounds the housing 20 and anvil 22 is employed to close the jaws 21, 22 of the surgical stapler 10 and clamp the tissue between the anvil 22 and the tissue contacting surface of the staple
10 cartridge 21. The jaws 21, 22 are clamped by actuation of a lever 24 opposite the jaws 21, 22 as is known in the art. Thereafter, the surgeon applies the staples to the body tissue. A longitudinally extending channel is employed to deliver longitudinal motion to an axial drive member and a tissue cutting knife as is known in the art.

15

The axial drive member or an axial drive screw contacts pusher elements. The pusher elements drive the staples through the body tissue against the fastener or forming surface of the anvil as discussed herein. Typically, in the art the surgical stapler 10 fires usually by an actuation of a
20 first trigger handle or alternatively using a trigger switch 26. Thereafter, the clamping action of the jaws 21, 22 is released and the surgical stapler 10 or a portion thereof may be withdrawn from the body.

Referring now to Fig. 2, there is shown a block diagram of the surgical
25 stapler 10 of the present disclosure. According to a first aspect of the present

disclosure, the surgical stapler 10 may have an optional controller 28. The controller 28 is any electronic device being coupled to a memory for executing one or more readable program instructions or alternatively may be a suitable analog circuit. Still further, the controller 28 may be a suitable mechanical member or linkage for controlling one or more functions of the surgical stapler 10.

The controller 28 is connected to an internal or external power supply and a motor and is connected between the anvil 22 and the stapling cartridge 21. In an alternative embodiment, a trigger handle or another actuating switch or component 26 is mechanically or electronically linked or otherwise connected to the stapling cartridge 21 as is known in the art as indicated by a dotted line, and the present disclosure is not intended to be limited to any configuration. Once the stapling cartridge 21 is fired using the trigger switch 26, the jaws 21, 22 are opened and the firing mechanism is retracted. The surgical stapler 10 as a whole may be withdrawn from the body tissue or may be manipulated for a next or second stapling operation as shown.

The present surgical stapler 10 has the controller 28 which is connected to one of the jaw or anvil 21 or jaw or staple cartridge 21 and the trigger switch 26 or is connected to both jaws 21, 22 and the trigger switch 26. In one embodiment, once the desired site is reached, the surgeon uses the jaws 21, 22 to compress the selected body tissue. Alternatively, the surgical stapler 10 may have a single drive component that can actuate both the anvil 22 and stapling cartridge 21.

Thereafter, the controller 28 may provide for a requisite amount of delay between clamping and firing (or after clamping and before firing) to ensure tissue compression and expulsion of fluid. After the desired
5 compression is reached, the stapling cartridge 21 may be automatically engaged by the controller 28 to fire the staples from the stapling cartridge 21 into the body tissue or alternatively the controller 28 may send a signal to the surgeon thereby informing the surgeon a suggestion that the surgeon is to fire the staples. It is envisioned that the firing may be automatic or manual.

10

Furthermore, the controller 28 may control the speed with which the staples are fired from the staple cartridge 21. Still further, the controller 28 may control an amount of delay before firing. The controller 28 in one embodiment may provide for a predetermined amount of time to elapse prior
15 to outputting a signal to the stapling cartridge 21. In another powered stapler embodiment, the controller 28 may slow a motor speed to increase the body tissue compression time.

In still another embodiment, the controller 28 may engage a dampening
20 device 30. The dampening device 30 is configured to slow the actuating of the staple cartridge 21 in order to increase the overall compression time of the body tissue. Such a dampening device 30 may be a hydraulic or a pneumatic type damper or any other device that may dampen or modulate the operation of one or more components of the surgical stapler 10. In another
25 embodiment, the trigger 26 may simply hold the fire signal for a

predetermined time period in associated control circuitry and upon the expiration of the predetermined time period may communicate the signal to the stapling cartridge 21.

5 The controller 28 may be configured to slow a motor speed, modulate a gear or, still further, engage a circuitry of the motor to slow an operation thereof to otherwise reduce actuation, *i.e.*, a rotation rate of the axial drive screw. Still further, the surgical stapler 10 may also include an override switch 32. The override switch 32 is an automatic or manual device (or other
10 switch) that selectively disengages the controller 28 to permit direct actuation of the stapling cartridge 21 by the trigger switch 26 without any delay at the surgeon's discretion.

In one aspect of the present disclosure, the present surgical stapler 10
15 includes jaws 21, 22 which compresses tissue between the anvil 130 and the stapler cartridge 132 of the stapling cartridge 21 (Fig. 2B). The jaws 21, 22 are understood in the art as a device that allows the surgeon to manipulate and compress tissue between the anvil 130 and the staple cartridge 132 prior to urging of the staples 158 from the staple cartridge 132 as shown in Fig. 2B.
20 The jaws 21, 22 may be independently powered by a power source such as a motor or pneumatic device, or may be powered by the same power source as the staple cartridge 21. The surgical stapler 10 uses the jaws 21, 22 to clamp tissue between the stapler cartridge 132 and the anvil 130 (Fig. 2b), then when the stapler 10 is fired the jaws 21, 22 may be further tightened and then
25 the staples 158 urged from the stapling cartridge 21.

In one aspect, the surgical stapler 10 may pre-clamp or compress tissue using the jaws 21, 22 for a first interval. The first time interval may be preset and fixed, or variable depending on the tissue type. The first time interval may be for minutes, seconds or any other variable or fixed predetermined period of time. Then prior to stapling, the jaws 21, 22 may further tighten to further compress the tissue for another second compression time interval and then fire. The second time interval may be different from the first time interval and can be shorter or longer than the first. In another aspect, the instrument may pre-clamp or compress tissue using the jaws 21, 22 and then simply automatically fire the device to urge the staples 158 from the staple cartridge 132 at the conclusion of the first interval. Various configurations are possible, and the present surgical stapler 10 may have program instructions for any number of compression intervals desired by the surgeon and/or designer. The surgical stapler 10 may alternatively further use a second separate clamping device in association with the stapler 10. It is understood that the present disclosure may be incorporated into an instrument that approximates the tissue before firing such as with a TA surgical stapler such as United States Patent No. 6,817,508 to Racenet, *et al.* which is herein incorporated by reference in its entirety, or can be used with an instrument that requires no such approximation before firing.

In another embodiment of the present disclosure, the surgical stapling device 10 may provide the surgeon with feedback by virtue of an indicator 36. The indicator 36 may display an amount of compression time and/or provide

feedback of the status of the stapling, or display information relating to the location of the drive screw, or drive member. In another embodiment of the present disclosure, the surgical stapler 10 may not have separate clamping and firing actuators and include a clamping gradient indicator 36 or
5 simultaneous clamping and firing indication mechanism. For example, the surgical stapler 10 may be configured to allow control of the firing speed which, in turn, controls the clamping speed and timing and then provide optimal compression for squeezing the tissue and pushing the blood and fluid out of the tissue at the desired site.

10

Fig. 2A shows an exploded view of a number of components of the surgical stapler 10 of Fig. 1. The stapler 10 has a rack 100 that is slidable in the handle portion 14. The rack 100 interfaces with a clamp tube 102. On a distal side of the clamp tube 102 is a channel 104. The channel 104 engages
15 with the clamp tube 102 and a pair of forks 106, 108 on a distal side thereof. The stapler 10 also has an upper cover 110 and a lower cover 112, and an extension tube 114. The extension tube 114 engages with a collar tube 116. The stapler 10 also has a rotation knob 118 with a channel portion 120. The channel portion 120 has a pair of camming surfaces 122 on a distal end. The
20 distal end also has a crimp 124 in a distal side to receive the anvil 22.

In operation, the rack 100 slides and moves the clamp tube 102 distally. The clamp tube 102 is provided to interconnect the handle portion 14 and the extension tube 114. The channel 104 is slidably mounted for
25 reciprocal longitudinal motion. The extension tube 114 provides support for

the surgical stapler 10 and has slots that interface with the collar tube 116.
The surgical stapler 10 also has a support 120 for longitudinal motion and to
operate the stapling mechanism as described in Fig. 2b. The operation of
these components is well known and is disclosed in United States Patent No.
5 5,318,221 to Green, *et al.*, which is herein incorporated by reference in its
entirety.

Advantageously, the rack 100 moves distally to advance the channel
104 in a distal manner. The channel 104 delivers longitudinal motion to a
10 pusher cam bar as is known in the art for operation of the stapler cartridge 21
shown in Fig. 2b. It should be appreciated that the components shown in Fig.
2a only illustrate one embodiment of the present surgical stapler 10, and
instead of the rack 100, the surgical stapler 10 may have a drive screw (not
shown) for longitudinal motion and in order to actuate the stapler cartridge 21.
15 Referring now to Fig. 2b, there is shown an exploded view of the anvil 22 and
the stapler cartridge 132 having an actuation sled 169.

Referring to FIG. 2b, the stapler cartridge 21 includes an anvil
assembly 130 and a cartridge assembly 132 shown in an exploded view for
20 illustration purposes. The anvil assembly 130 includes anvil portion 22
having a plurality of staple deforming concavities (not shown) and a cover
plate 136 secured to a top surface of anvil portion 134 to define a cavity (not
shown). The cover plate 136 prevents pinching of tissue during clamping and
firing of the surgical stapler 10. The cavity is dimensioned to receive a distal
25 end of an axial drive assembly 138.

The anvil 130 has a longitudinal slot 140 that extends through anvil portion 130 to facilitate passage of retention flange 142 of the axial drive assembly 138 into the anvil slot 140. A camming surface 144 formed on anvil 5 22 is positioned to engage axial drive assembly 138 to facilitate clamping of tissue. A pair of pivot members 146 formed on anvil portion 130 is positioned within slots 146' formed in carrier 148 to guide the anvil portion 130 between the open and clamped positions.

10 The stapler 10 has a pair of stabilizing members 152 engage a respective shoulder formed on carrier 148 to prevent anvil portion 30 from sliding axially relative to staple cartridge 132 as camming surface of the anvil 130 is deformed. Cartridge assembly 132 includes the carrier 148 which defines an elongated support channel 154. Elongated support channel 154 is 15 dimensioned and configured to receive the staple cartridge 132 which is shown above the carrier 148 in the exploded view of Fig. 2b. Corresponding tabs and slots formed along staple cartridge 132 and elongated support channel 148' function to retain staple cartridge 132 within support channel 154 of carrier 148. A pair of support struts formed on the staple cartridge 132 are 20 positioned to rest on side walls of carrier 148 to further stabilize staple cartridge 132 within support channel 154, however other arrangements to support the cartridge 132 on the channel 154 can be used and this arrangement is not limiting.

25 Staple cartridge 132 includes retention slots 156 for receiving a

plurality of fasteners 158 and pushers 160. Longitudinal slots 156 extend through staple cartridge 132 to accommodate upstanding cam wedges 162 of the actuation sled 164. A central longitudinal slot 166 extends along the length of staple cartridge 132 to facilitate passage of a knife blade (not shown). During operation of surgical stapler 10, actuation sled 164 is drive distally to translate through longitudinal slot 156 of staple cartridge 132 and to advance cam wedges 162 distally and into sequential contact with pushers 160, to cause pushers 160 to translate vertically within slots 156 and urge fasteners 158 from slots 156 into the staple deforming cavities of anvil assembly 130 to effect the stapling of tissue.

Referring to Fig. 3, the surgical stapler 10 may include indicator 36 which may be any device known in the art to provide sensory feedback to the surgeon. The indicator 36 may be any device that permits a visual, tactile or audible monitoring of one or more conditions of the surgical stapler 10. The indicator 36 may be disposed on outer surface 34 and disposed on the handle 14. Alternatively, the indicator 36 may be disposed on portion 16, on the trigger switch 26, on the lever 24 or in any other suitable location where the indicator 36 may be easily viewed by the surgeon without a change in position of change in footing by the surgeon.

In one embodiment, as shown the indicator 36 includes a number of light bulbs 38. The lights 38 may be one light or a series of many lights bulbs or LEDs with one color or an assortment of two or more colors. Each of the lights 38 may have a color representing one or more conditions of the surgical

stapler 10. Alternatively, one or all of the lights 36 may flash to indicate a condition of the surgical stapler 10.

Upon being actuated by the trigger switch 26, the surgical stapler 10
5 may impart a delay before firing of the staples. However, in order to provide the proper feedback to the surgeon, the lights 38 provide, for example, a visual indication of the progress of the firing of the stapling cartridge 21. For example, still referring to Fig. 3, there is shown a first light 40, a second light 42, a third light 44, a fourth light 46, and a fifth light 48. As the axial drive
10 screw (not shown and in the handle) travels the predetermined drive path the lights 40, 42, 44, 46, and 48 illuminate in series to portray the relative distance of the drive screw on the exterior of the handle. When the lights 40, 42, 44, 46, and 48 are illuminated, the stapling cartridge 21 fires which ensures that proper tissue compression occurs prior to deployment of the staples.

15

Referring now to Fig. 4, in another exemplary embodiment of the present disclosure, the surgical stapler 10 includes a linear indicator 50 having a plurality of discrete segments, first segment 52, second segment 54, third segment 56, fourth segment 58, and fifth segment 60. Again, once the
20 trigger switch 26 is actuated to fire the stapling cartridge 21, the segments 52, 54, 56, 58, and 60 each illuminate in a predetermined pattern to indicate to the surgeon the status of the progression of the drive screw in the handle 14.

Upon all of the segments 52, 54, 56, 58, and 60 being illuminated, the
25 stapling cartridge 21 fires the staple into the body tissue with assurance that

an amount of compression time of the body tissue has lapsed. Linear display 50 may have one or more different colors or combinations of colors to indicate a position of the drive screw such as "red" to indicate firing and "green" to indicate that the firing is complete or vice versa. Still further the linear display 50 may display one or more graphical representations, images, or pictures to indicate one or more conditions or operating parameters of the surgical stapler 10.

For example, the linear display 50 may indicate "FIRE" or "COMPLETE", or any other graphical representation to indicate that surgical stapler 10 will fire at the predetermined time period. Various possible combinations are possible and all are within the scope of the present disclosure.

In still another exemplary embodiment of the present disclosure shown in Fig. 5, the surgical stapler 10 may include a digital display 62. The digital display 62 may indicate a count down or count up (or other time interval) after actuation of the trigger switch 26. For example, the digital display 62 may count down to the desired stapling time after compression to ensure a predetermined amount of tissue compression by the jaws 21, 22. The digital display 62 may be activated by the jaws 21, 22 being brought in close alignment with one another or activated independent of clamping. A desired clamping interval may be preset for desired tissue.

Alternatively, the digital display 62 may be selectively preset and input by the surgeon using an input device (not shown) or button. The surgeon may input a time period of clamping into the display 62. Thereafter, the display 62 will suggest firing at the elapse of the clamping time period, or may
5 automatically fire after a predetermined clamping time elapses (e.g., such as from about ten seconds to forty five seconds) to ensure proper tissue compression. The digital display 62 may be configured to count down from the predetermined set interval of clamping and visually communicate a signal to the controller 28. The controller 28 after receiving the signal allows the
10 desired time period of clamping to elapse. After the set time period expires, the controller 28 may communicate a second signal to actuate the stapling cartridge 21. Alternatively, the controller 28 may simply modulate the speed of the motor to commence operation at a speed suitable to actuate the stapling cartridge 21 at the end of the desired time period. In still yet another
15 embodiment, the digital display 62 may be configured to initiate counting after commencement of the clamping of tissue and then simply display the time from that point onwards to allow the surgeon to monitor and manually actuate the trigger switch 26 at the expiration of the desired time period. Thereafter, the digital display 62 may simply display or flash the compression time to the
20 surgeon and the exact amount of elapsed time. It is appreciated that the instrument may provide a predetermined delay and then indicate that the instrument is ready to be manually fired, or alternatively the instrument may delay then indicate and then automatically fire.

Referring now to Fig. 6, the surgical stapler 10 may alternatively have an analog display 64 disposed on the outer surface of the handle 14 which functions similar to the digital display 62. Analog display 64 may have an audible alarm or alternatively have a flashing light to indicate that the appropriate tissue compression time has been reached or exceeded.

Referring now to Fig. 7, there is shown a cross sectional view of the handle 12 of the surgical stapler along line 7-7 of Fig. 3. In this embodiment, the surgical stapler 10 is a powered device and has a motor 66 with a driving mechanism. The driving mechanism is a drive output shaft 68. Shaft 68 connects to a first gear 70. The first gear 70 is connected to a second gear 72 which, in turn, engages an axial drive screw 74. The motor 66 may be a device that drives one or more components of the surgical stapler 10.

The drive screw 74 is a threaded rod having a number of helical grooves that are intended to rotate and contact another member to actuate the stapling cartridge 21 in the distal location of the surgical stapler 10 once compression is made by the surgeon using the clamp or jaws 21, 22. The axial drive screw 74 is disposed in toothed engagement through a central bore 76 of the second gear 72. The axial drive screw may also be disposed offset from the second gear 72 or in any other desired geared arrangement. Upon actuation of the motor 66, the axial drive screw 74 rotates and traverses distally through the portion 16 of the surgical stapler 10 to engage the stapler cartridge 21 as is well known in the art. Alternatively, the surgical stapler 10 may have a drive piston or plunger instead of the axial drive screw 74 or a

single drive mechanism to control both the anvil 22 and the stapling cartridge 21. Such mechanisms are well known in the art and may be found in United States Patent Nos. 6,330,965 B1 to Milliman, et al., 6,250,532 B1 to Green, et al., 6,241,139 B1 to Milliman, et al., 6,109,500 to Alli et al., 6,202,914 B1 to 5 Geiste, et al., 6,032,849 to Mastri, et al. and 5,954,259 to Viola, et al., which are all herein incorporated by reference in their entirety.

The surgical stapler 10 may include a first switch 80. Switch 80 is located in a fixed position of the handle as shown. The stapler 10 also has a 10 second switch 82 disposed distally relative to the first switch 80 that is distal or near the path of the drive screw 74 in the first initial position 78. Likewise, the second switch 82 in a second firing position 84 which is disposed distally from the first initial position and proximal or near the path of the drive screw 74. Each of the first and second switches 80, 82 is a limit switch, but 15 alternatively may be any switch known in the art to change or toggle from a first position to a second position by a simple motion of the axial drive screw 74 traversing past or adjacent to the respective limit switch.

Once the axial drive screw 74 or a portion thereof traverses past the 20 first switch 80, the first switch communicates a signal to the controller 28 by lead 86. The controller 28 thus illuminates the indicator 36 or a portion thereof by lead 88 to indicate to the surgeon a first location of the axial drive screw 74.

Thereafter, the drive screw 74 or a portion thereof traverses or contacts the second switch 82 at the second firing position 84. The second switch 82 is also a limit switch and communicates a second signal to the controller 28 by lead 90 of the location or firing of the stapler cartridge 21. The controller 28 then illuminates indicator 36 (or another portion thereof) by lead 88 to indicate to the surgeon that the stapling has been completed. At the conclusion of the stapling, the surgeon/operator will initiate retraction and then will reverse a direction of the motor 66 by lead 92. The motor 66 then reverses operation and returns the axial drive screw 74 to the initial position 78 for the next stapling operation.

Alternatively, controller 28 upon receiving the first signal from the first switch 80 by lead 86 modulates one or more operations of the surgical stapler 10. For example, in response to receiving of the first signal, the controller 28 can control one or more parameters of the surgical stapler 10 including tissue gap, speed of the motor 66, control stroke of the axial drive screw 74, axial drive screw travel distance, rotational rate of the axial drive screw and any combinations thereof.

Referring now to Fig. 8, the surgeon may operate/ engage the firing mechanism in order to actuate the stapling cartridge 21. The firing mechanism actuates the motor 66 shown in Fig. 8. The axial drive screw 74 commences rotation and by traversing past switch 80 the drive screw 74 actuates the first switch 80. The first switch 80 outputs the signal to the controller 28 by lead 86. The controller 28 in response to the signal from the

first switch 80 then actuates the first light 40 by lead 92. The surgical stapler 10 may further have a suitable structure in order to engage a stop feature. The stop feature prohibits overdrive of the drive screw 74.

5 Thereafter, after the axial drive screw 74 traverses a predetermined distance to ensure tissue compression by the clamp or jaws 21, 22. The second switch 82 is actuated and outputs a second signal to the controller 28 by lead 90. The controller 28 in response to the second signal illuminates the second light 42 by lead 94. The second light 42 indicates that the stapling
10 cartridge 21 has fired. The second switch 82 may further emit a signal to the controller 28 to reverse or cease motion in that direction of the motor 66 or to return the axial drive screw 74 to the initial position. The physician/operator may also manually reverse the direction of the motor 66. A third light 44 may illuminate to indicate to the surgeon that the axial drive screw 74 is returning
15 to the initial position 78.

Fig. 8A illustrates another embodiment of the present stapler. In the embodiment shown, the surgeon may operate/engage the firing mechanism in order to actuate the stapling cartridge 21. However, the first switch 80' is in a
20 different location than the embodiment shown in Fig. 8. In this embodiment, the first switch 80' is located immediately under the lever 24 proximal to handle 14. The switch 80' in the embodiment of Fig. 8A engages a tab 24' disposed on the lever 24. When the lever 24 is actuated and driven toward the handle 14, the tab 24' contacts switch 80', and the switch 80' outputs the

signal to the controller 28 by lead 86. The controller 28 in response to the signal from the first switch 80 then actuates the first light 40 by lead 92.

Thereafter, after the axial drive screw 74 traverses a predetermined
5 distance to ensure tissue compression by the clamp or jaws 21, 22, the second switch 82 is actuated and outputs a second signal to the controller 28 by lead 90. Again, the controller 28 in response to the second signal illuminates the second light 42 by lead 94. The second light 42 indicates that the stapling cartridge 21 has fired. The second switch 82 that is actuated by
10 switch 80' may further emit a signal to the controller 28 to reverse or cease motion in that direction of the motor 66 or to return the axial drive screw 74 to the initial position. A third indicator 44 may be included to indicate to the surgeon that the axial drive screw 74 is returning to the initial position 78.

15 Figure 8B shows still another embodiment wherein the first switch 80'' is located at still another location of the handle 14, and on an opposite distal side of the lever 24 in proximity to pivot. Various configurations are possible and within the scope of the present disclosure, and switch 80'' may be placed in various configurations relative to the lever 24.

20

Fig. 9 shows the surgical stapler 10 with a lever 24. The lever 24, shown in the elevated position, controls the clamp or jaws 21, 22, however this arrangement is not limiting and another driving member may control the clamp or jaws 21, 22 such as the motor 66 (Fig. 7). The lever 24 opens and
25 closes the jaws 21, 22 of the clamp to compress the body tissue prior to

surgical stapling. The surgical stapler 10 further includes an electrical contact 96 with an electrically conductive member to complete a suitable analog or digital circuit. The electrical contact 96 is in a complementary nesting location of the lever 24 when the lever is in a lowered position or mating with the handle 14. When the lever 24 is lowered from an elevated or raised position to the lowered position or contacting the handle 14, the lever 24 engages the electrical contact 96. The electrical contact may complete a suitable timer circuit of the display 62 when in the lowered position. In this embodiment, the electrical contact 96 commences the display 62. The display 62 may count upwards from zero to a predetermined time limit, or may count down from an ideal predetermined tissue compression time interval. Once the displayed time reaches the predetermined time interval, an audible alarm 98 may sound. The audible alarm 98 provides the surgeon with a cue that the optimal tissue compression time has been reached, and that the firing mechanism should be actuated in order to fire the staple from the staple cartridge 21 to ensure a uniform staple formation.

Fig. 10 illustrates in still another embodiment where the clamp formed by jaws 21, 22 is actuated by lowering the lever 24. Contemporaneously, the timer circuit of the display 62 is activated by the electrical contact 96 on the lever 24. The indicator 36 may be the linear display 50 which indicates a first color to prompt for the actuation of the stapling mechanism 21 by the trigger switch or button 26. The display 50 may then display a second image or illuminate the number of segments corresponding to a travel path of the axial drive screw 74 as shown in Fig. 7. Upon actuation, the second switch 82

outputs a signal to the controller 28. The controller 28 then stops the motor 66, and the controller outputs a control signal to the display 50 to modulate the display from the first color to another second color or from a first image to a second image to indicate that the stapling cartridge 21 has fired. Optionally, 5 the controller 28 may further sound the audible alarm 98 indicating that the stapling cartridge 21 has fired. The alarm may be any sound or audible pattern, including a buzzer, a song, a chirp, a chime or any combinations thereof. Various indicator configurations are possible and within the scope of the present disclosure.

10

In still another embodiment, the jaws 21, 22 may be actuated by lowering the lever 24. Contemporaneously, the timer circuit of the display 62 is activated by the lever 24. Thereafter, the indicator 36 indicates a first indication to prompt for an actuation of the stapling cartridge 21 by actuating 15 switch 26 after a desired time period elapses. Once the trigger switch 26 is actuated, the controller 28 activates the motor 30. The motor 30 then moves the drive screw 74 as shown in Fig. 7.

As the axial drive screw 74 moves in an axial manner, the drive screw 20 (or another plunger 100 connected thereto as shown in Fig. 11) contacts a second member 102. Second member 102 may be any member that modulates based on the motion of the plunger 100 and that can be detected or sensed by another device to provide an indication to the surgeon. The second member 102 may be a resistor strip which changes a resistance along 25 a travel surface 104 of the plunger 100 as the plunger 100 or the axial drive

screw 74 traverses along the portion 16 of the surgical stapler 10 (or other suitable travel surface location). The resistor strip 102 is coupled to indicator 36 such that the change in resistance of the resistor strip 102 selectively illuminates each of the lights 40 through 48 to signal an amount of travel by the axial drive screw 74 or the plunger 100 or other suitable drive member.

Alternatively, the resistor strip 102 may be coupled to another indicator 36 such as a linear display 50. The display 50 may illuminate the number of segments 52, 54, 56, 58, and 60 corresponding to a travel of the axial drive screw 74 or the plunger 100 until the axial drive screw actuates the stapler cartridge 21. Upon actuated, the resistor strip 102 outputs a signal to the controller 28 which modulates the operation of the motor 66, and sends another second signal to the display 50 to indicate that the stapling cartridge 21 has fired. The display 50 in response thereto may then display a suitable graphical image, another color, a textual message, or any other indication to indicate to the surgeon that the firing of the stapling cartridge 21 has concluded. Various indicator configurations are possible and within the scope of the present disclosure.

Referring now to Fig. 12, in yet another embodiment of the present disclosure, the surgical stapler 10 may further include a non-contact sensor 106. The non-contact sensor 106 may optionally be a so-called "Hall effect non-contact sensor" (or alternatively any other non-contact sensor) that is based in part on the physical principle of the Hall effect named after its discoverer E. H. Hall.

For example, end 108 of the axial screw 74 is directly connected, geared to, or offset from the motor 74, and a cap like free end 110 of axial screw 74 contacts the stapler cartridge 21 to actuate the stapler cartridge and to fire the staple as discussed previously. The free end 110 of the drive screw 5 74 has a magnetic member 112 which connects thereto and which will not become dislodged by a rotation of the drive screw 74. Alternatively, the magnetic member 112 may be disc shaped and simply connect to the free end 110. In one initial orientation, free end 110 and the magnetic member 10 112 are disposed closely adjacent, or near to the non-contact sensor 106. At this initial orientation, the magnetic member 112 is separated by a first distance "d" from the non-contact sensor 106.

Once the trigger switch or button 26 is actuated, the motor 66 is 15 actuated, and rotates, the drive axial screw 74 to traverse distally to actuate the stapler cartridge 21 as described above. In the second orientation after the motor 66 has been actuated, the magnetic member 112 moves and is a second distance "d" away from the non-contact sensor 106. The second distance is any distance greater than the first distance "d". As the magnetic 20 member 112 moves away from the non-contact sensor 106, the non-contact sensor now located the second distance away from the magnetic field of the magnetic member 112 modulates an operation of the motor 66.

The term "modulation" is defined as modulating amount of voltage 25 received by the motor 66 in a dynamic manner, turning the motor "off" at a

desired stroke, changing the motor speed, drive gear reduction of the motor, reduction of the axial drive screw pitch, or a change in the voltage or the current input of the motor, or changing another firing component, a change of the motor components and any combinations thereof. This may thereby slow
5 the operation of the motor 66 to increase an amount of compression time of the body tissues between jaws 21, 22. In another alternative embodiment, the magnetic member 112 may be disposed on a suitable drive piston instead of the drive screw 66. As the drive piston travels away from the non-contact sensor 106, a reduced or modulated amount of voltage may be provided to
10 the motor 66. Still further in another alternative embodiment, the non-contact sensor 106 may be placed at the free end 110 of the drive screw 74 and the magnetic member 112 fixed.

In another embodiment of the present disclosure, the surgical stapler
15 may have a combined drive mechanism. The combined drive mechanism may control both a firing component of the stapling mechanism and a clamping mechanism. The surgical stapler 10 may, upon being actuated, has the drive mechanism advance to commence the clamping using the clamping mechanism and then hold and wait thus providing a predetermined delay.
20 The surgical stapler 10 would then provide an indication to the surgeon/operator once a desired amount of compression is reached. Thereafter, the surgeon/ operator would then actuate the drive mechanism after the time delay. The drive mechanism would then fire the staples from the stapling cartridge 21 into the compressed tissues and thus ensure a

uniform staple formation. The surgical stapler 10 thus provides a time delay prior to stapling to ensure tissue compression.

Although being shown as an endoscopic surgical stapler, the present drive system may be used with any surgical stapling device known in the art, such as endoscopic surgical stapling devices, a pulmonary stapling device, a GIA surgical stapling devices, an endo-GIA stapling device, a TA surgical stapling device and any other stapler device for surgery know in the art. The present disclosure may also be used with a single drive surgical stapler that drives both the clamp and the stapling device. The present disclosure may be incorporated into a device that approximates and then fires such as with a TA surgical stapling device or with a surgical stapler without any such approximation of tissue.

It should be understood that the foregoing description is only illustrative of the present disclosure. Various alternatives and modifications can be devised by those skilled in the art without departing from the disclosure. Accordingly, the present disclosure is intended to embrace all such alternatives, modifications and variances. The embodiments described with reference to the attached drawing figures are presented only to demonstrate certain examples of the disclosure. Other elements, steps, methods and techniques that are insubstantially different from those described above and/or in the appended claims are also intended to be within the scope of the disclosure.

WHAT IS CLAIMED IS:

Claim 1: A surgical stapler comprising:

5 a) a handle assembly including a stationary handle and a trigger configured to manipulate a cam member through an actuating stroke;

b) an elongated body extending distally from the handle assembly and defining a longitudinal axis;

10

c) a staple cartridge supported adjacent the distal end of the elongated body and containing a plurality of staples;

d) an anvil pivotally mounted in relation to the cartridge adjacent the
15 distal end of the elongated body, the anvil having a fastener forming surface thereon and being mounted for pivotal movement in relation to the cartridge between an open position having a distal end spaced from the staple cartridge and a closed position in close cooperative alignment with the staple cartridge;

20 e) an actuation sled supported within the cartridge, the actuation sled being movable to urge the plurality of staples from the cartridge;

f) a drive assembly including a body having a working end and a cam
25 member supported on the working end, the cam member being positioned to translate relative to the anvil to maintain the anvil in the closed position during firing of the stapler, the pivotable handle being operably connected to the

drive assembly such that manipulation of the trigger effects translation of the cam member relative to the anvil;

g) a channel for supporting the staple cartridge; and

5

h) a controller configured to control the actuation sled supported within the cartridge, the controller delaying movement of the actuation sled to urge the plurality of staples from the cartridge for a predetermined time period when the anvil is in the closed position and in cooperative alignment with the staple cartridge.

10

Claim 2: The surgical stapler of claim 1, wherein the predetermined time period is suitable in length to allow compression of the tissue for the predetermined time period and to allow tissue to settle from a first initial state into a second compressed state when the anvil is in the closed position and in cooperative alignment with the staple cartridge.

15

Claim 3: The surgical stapler of claim 1, further comprising a dampening device, the controller configured to control the dampening device, the dampening device modulating the actuation sled movement for the predetermined time period to compress the tissue when the anvil is in the closed position and in cooperative alignment with the staple cartridge.

20

Claim 4: The surgical stapler of claim 3, wherein the dampening device slows the actuation sled movement to compress the tissue when the

25

anvil is in the closed position and in cooperative alignment with the staple cartridge.

5 Claim 5: The surgical stapler of claim 3, wherein the dampening device is a hydraulic device.

 Claim 6: The surgical stapler of claim 3, wherein the dampening device is a pneumatic device.

10 Claim 7: The surgical stapler of claim 1, further comprising a motor configured to control the actuation sled movement, wherein the controller controls the motor and delays the actuation sled from urging the plurality of staples from the cartridge into tissue, the delay permitting a predetermined compression time period when the anvil is in the closed position and in
15 cooperative alignment with the staple cartridge.

 Claim 8: The surgical stapler of claim 7, wherein the controller slows an operation of the motor to provide for the delay to compress the tissue.

20

 Claim 9: The surgical stapler of claim 8, further comprising a geared assembly, the controller configured to actuate the geared assembly to slow the operation of the motor to provide for the delay to compress the tissue.

25

Claim 10: The surgical stapler of claim 1, further comprising an override switch, the override switch being on the body and configured to disengage operation of the controller.

5 Claim 11: A surgical stapler comprising:

a) a handle assembly including a stationary handle and a trigger configured to manipulate a cam member;

10 b) an elongated body extending distally from the handle assembly and defining a longitudinal axis;

c) a staple cartridge supported adjacent the distal end of the elongated body and containing a plurality of staples;

15

d) an anvil pivotally mounted in relation to the cartridge adjacent the distal end of the elongated body, the anvil having a fastener forming surface thereon and being mounted for pivotal movement in relation to the cartridge between an open position having a distal end spaced from the staple cartridge and a closed position in close cooperative alignment with the staple cartridge;

20

e) an actuation sled supported within the cartridge, the actuation sled being movable to urge the plurality of staples from the cartridge;

f) a drive assembly including a body having a working end and the cam member supported on the working end, the cam member being positioned to translate relative to the anvil to maintain the anvil in the closed position during firing of the stapler, the trigger being operably connected to the drive
5 assembly such that manipulation of the trigger effects translation of the cam member relative to the anvil;

g) a channel for supporting the staple cartridge;

10 h) a controller configured to control the actuation sled supported within the cartridge, the controller delaying the actuation sled movement to urge the plurality of staples from the cartridge for a predetermined time period when the anvil is in the closed position and in cooperative alignment with the staple cartridge; and

15

i) an indicator connected to the controller, the controller controlling the indicator to provide an indication when the predetermined time period is reached.

20 Claim 12: The surgical stapler of claim 11, wherein the indicator is a visual indicator.

Claim 13: The surgical stapler of claim 11, wherein the indicator is an audible indicator.

25

Claim 14: The surgical stapler of claim 11, wherein the indicator is a tactile indicator.

Claim 15: The surgical stapler of claim 11, wherein the
5 predetermined time period is an optimal compression time of the tissue being compressed between the anvil in the closed position and in cooperative alignment with the staple cartridge before firing of the plurality of staples.

Claim 16: The surgical stapler of claim 11, wherein the
10 predetermined time period is a preset compression time of the tissue being between the anvil in the closed position and in cooperative alignment with the staple cartridge.

Claim 17: The surgical stapler of claim 11, wherein the indicator is a
15 linear display having a plurality of segments, the plurality of segments illuminating in a sequential manner, wherein substantially at least two of the segments illuminate to provide the indication that the predetermined time period is reached.

20 Claim 18: The surgical stapler of claim 11, wherein the indicator is a linear display having a graphical representation, the graphical representation being arranged to provide an indication that the predetermined time period has been reached.

Claim 19: The surgical stapler of claim 11, wherein the indicator is a linear display having a graphical representation, the graphical representation being arranged to provide an indication of a parameter related to the stapler.

5 Claim 20: The surgical stapler of claim 11, wherein the indicator comprises a timer configured to count from a first interval to the predetermined time period.

Claim 21: The surgical stapler of claim 11, wherein the controller is
10 configured to move the actuation sled supported within the cartridge automatically once the predetermined time period is reached, the actuator sled movement urging the plurality of staples from the cartridge.

Claim 22: The surgical stapler of claim 11, wherein the controller
15 comprises a resistor strip, the controller being connected to the indicator, wherein the drive assembly contacts the resistor strip during a firing stroke, the contact between the resistor strip and the drive assembly modulating a resistance of the resistor strip during the stroke, the resistor strip being connected to the controller and configured to output the resistance to the
20 controller, the controller modulating one or more parameters of the stapler based on the output.

Claim 23: The surgical stapler of claim 22, wherein the controller modulates the indicator based on the output.

Claim 24: The surgical stapler of claim 22, wherein the controller modulates the drive assembly based on the output.

Claim 25: The surgical stapler of claim 22, wherein the controller
5 slows the drive assembly based on the output.

Claim 26: The surgical stapler of claim 22, further comprising a dampening device connected to the drive assembly, wherein the controller actuates the dampening device based on the output.

10

Claim 27: The surgical stapler of claim 11, further comprising a sensor, wherein the drive assembly comprises a magnetic member, and wherein the sensor detects at least one property of the magnetic member and outputs the detected property to the controller, wherein the controller
15 modulates one or more parameters of the stapler based on the output.

Claim 28: The surgical stapler of claim 27, wherein the sensor is a Hall sensor.

20 Claim 29: The surgical stapler of claim 27, wherein the sensor is a non-contact sensor.

Claim 30: The surgical stapler of claim 27, wherein the controller modulates a gap measured between the anvil and the staple cartridge based
25 on the output.

Claim 30: The surgical stapler of claim 27, wherein the controller modulates an actuation sled movement based on the output.

5 Claim 31: The surgical stapler of claim 27, wherein the controller slows the drive assembly in response to the output.

Claim 32: The surgical stapler of claim 31, wherein the controller provides an indication in response to the output.

10

Claim 33: The surgical stapler of claim 11, wherein the drive assembly includes the pivotable handle being in contact with a switch, the switch being operably connected to a timer, wherein when pivotable handle is manipulated through the actuating stroke to effect manual translation of the cam member relative to the anvil, the pivotable handle contacts the switch to
15 actuate the timer, wherein the timer counts to the predetermined time interval, wherein when the timer reaches the predetermined time interval, the timer outputs a signal to the controller, the controller upon receiving the signal outputs a control signal to the indicator to provide the indication that the
20 predetermined time interval has been reached.

Claim 34: A method for stapling tissue comprising:
locating tissue between a staple cartridge and an anvil;
compressing tissue between the staple cartridge and the anvil;
25 manipulating an actuator to fire staples from the staples cartridge;

wherein the actuator is configured to automatically delay firing staples for a predetermined time period;

wherein the predetermined time period is suitable in length to allow compression of the tissue for the predetermined time period and to allow tissue to settle from a first initial state into a second compressed state; and
5 urging staples from the staple cartridge through the tissue at the elapse of the predetermined time period when the tissue is in the second compressed state.

10 Claim 35: A surgical stapler comprising:
a handle assembly including a trigger;
a clamping device having a staple cartridge containing a plurality of staples and an anvil having a fastener forming surface thereon; and
a controller configured to determine an occurrence of clamping by the
15 anvil and the staple cartridge, the controller controlling firing of the plurality of staples from the staple cartridge;
wherein when the trigger is actuated the controller delays firing of the plurality of staples from the staple cartridge to provide for a predetermined time period of tissue compression of the tissue between the anvil and staple
20 cartridge and wherein the controller outputs a control signal to allow firing once the predetermined time period is reached.

Claim 36: The surgical stapler of claim 34, wherein the controller is operatively connected to a drive member to urge the plurality of staples from
25 the staple cartridge.

Claim 37: The surgical stapler of claim 34, wherein the controller is operatively connected to a motor to urge the plurality of staples from the staple cartridge.

5

Claim 38: The surgical stapler of claim 34, wherein the staples are fired automatically after the predetermined time period.

Claim 39: The surgical stapler of claim 34, wherein the staples are
10 fired manually after the predetermined time period.

Claim 40: The surgical stapler of claim 34, further comprising an indicator connected to the controller, the indicator indicating a signal to the surgeon after the predetermined time period.

1/15

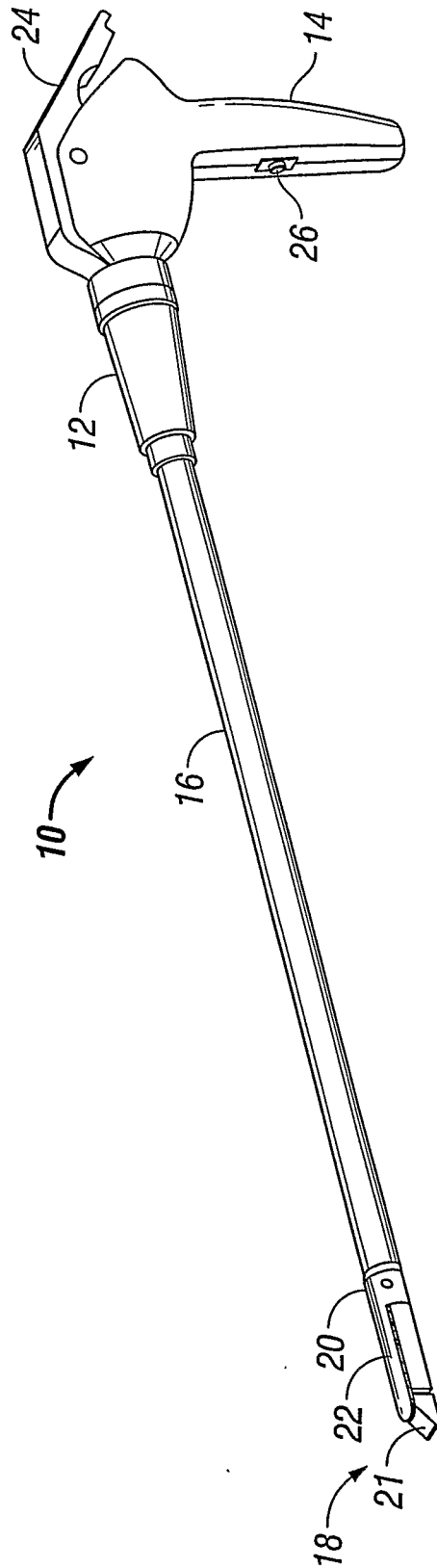


FIG. 1

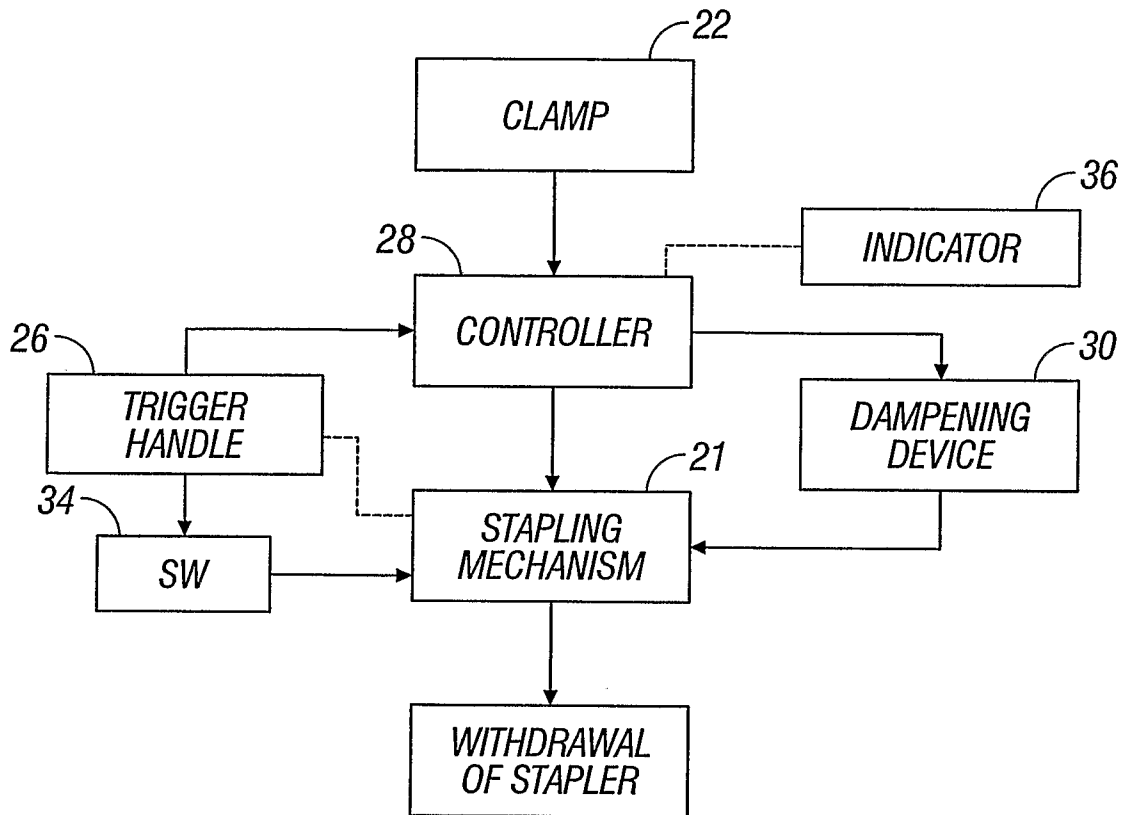


FIG. 2

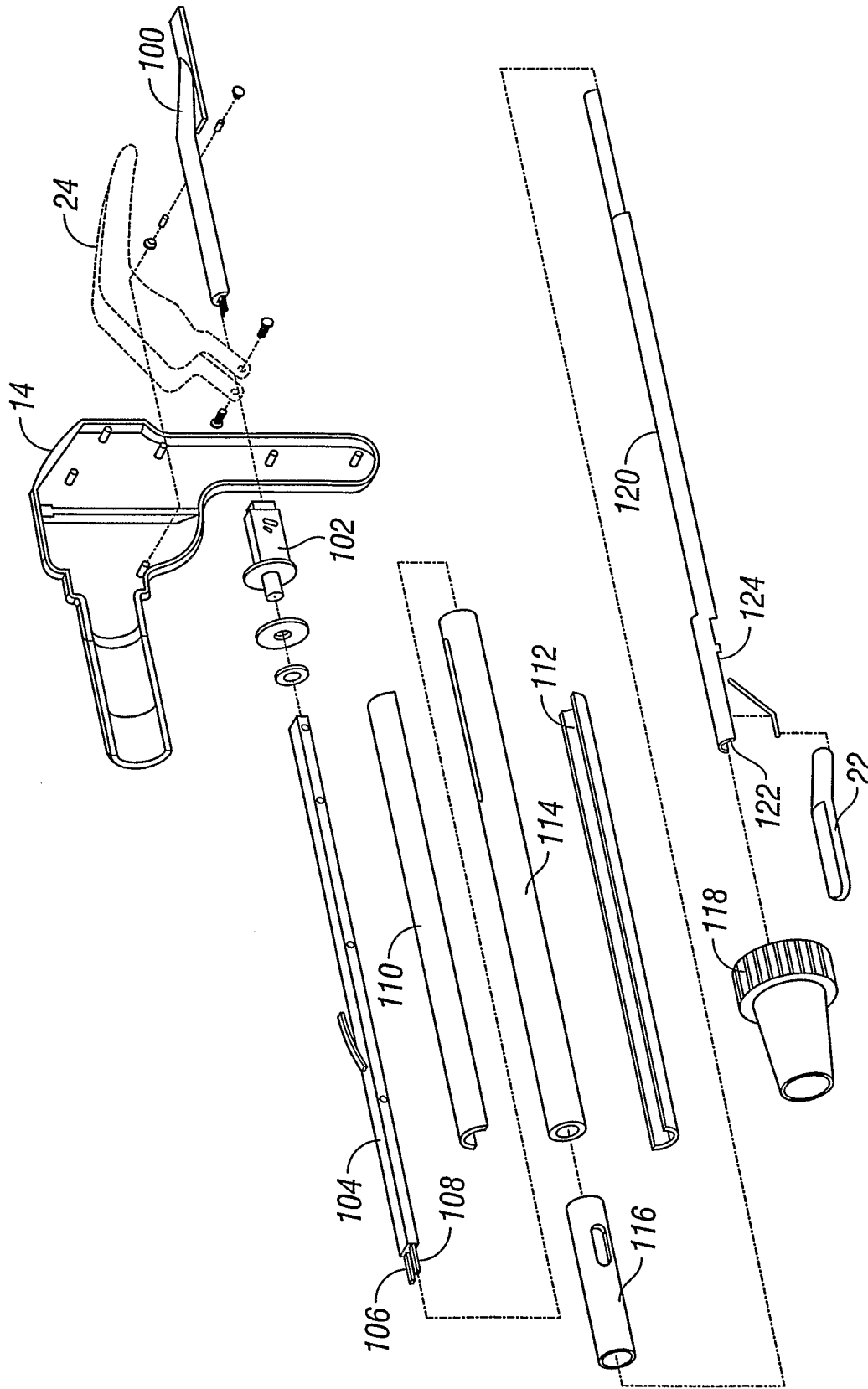


FIG. 2A

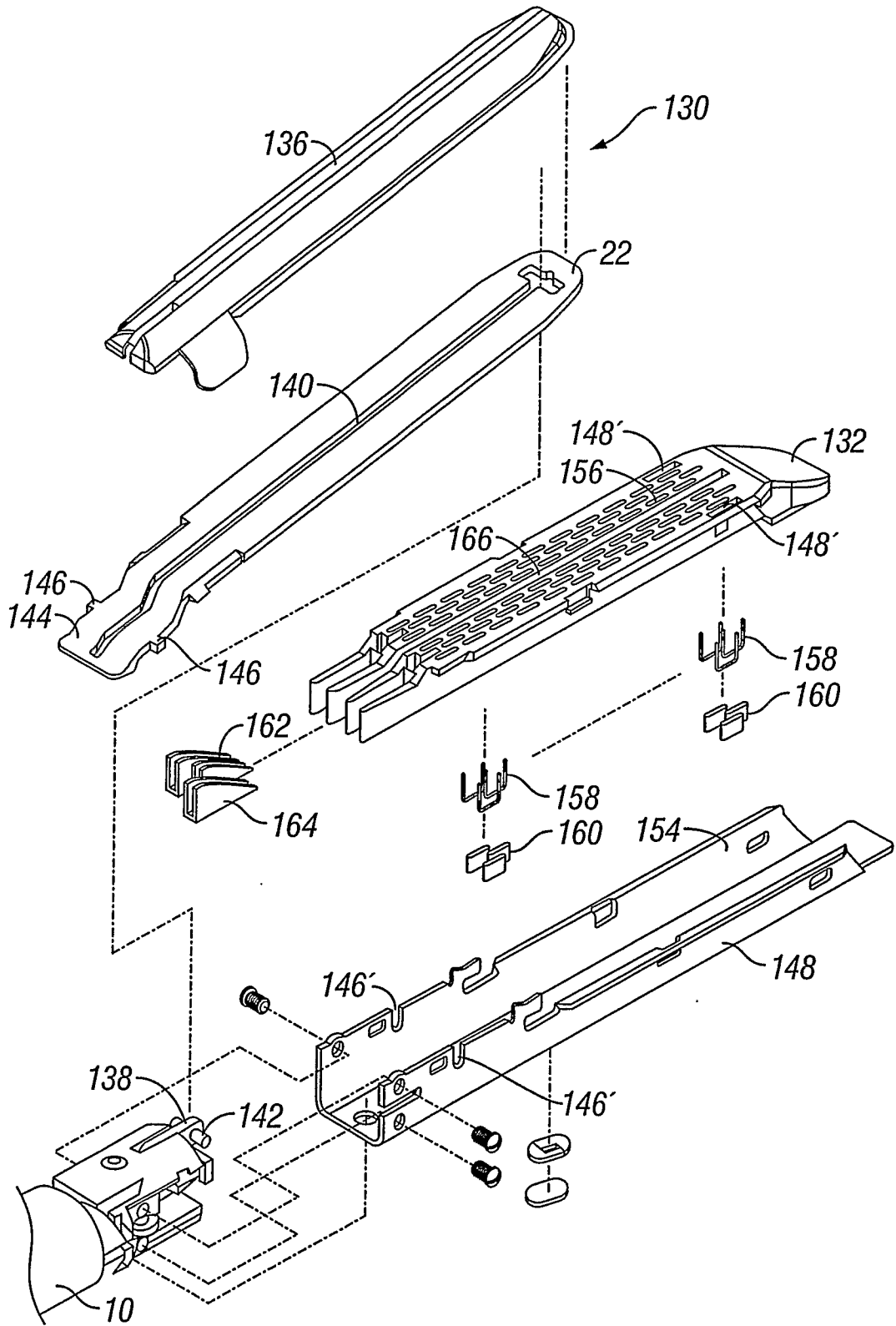


FIG. 2B

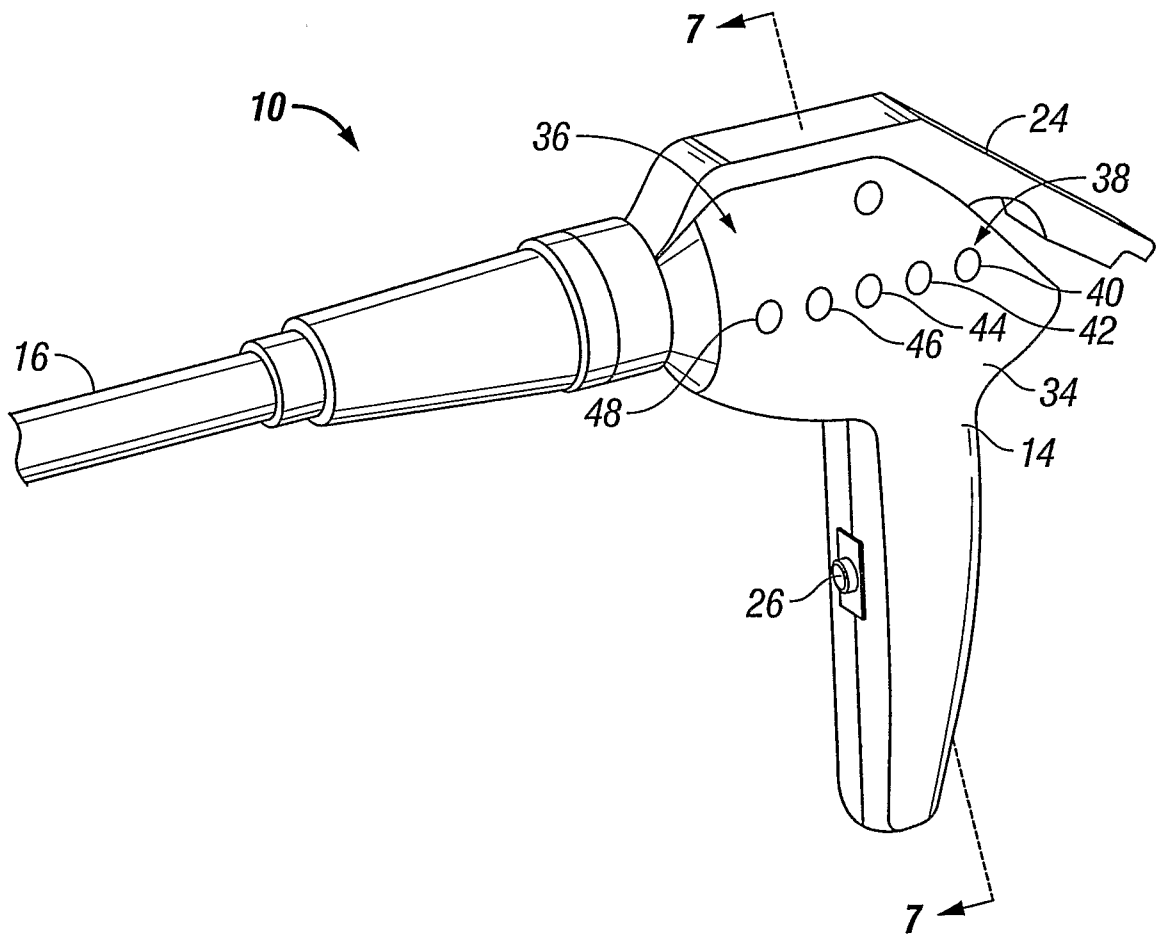


FIG. 3

6/15

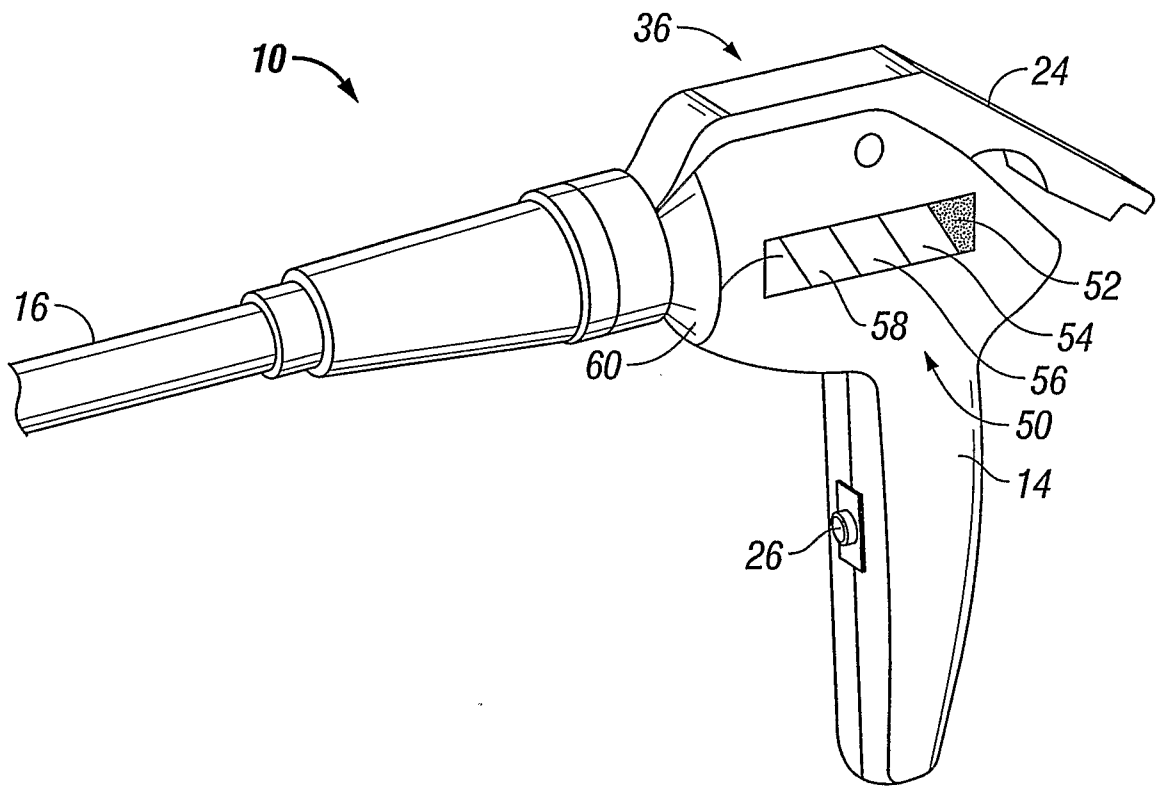


FIG. 4

7/15

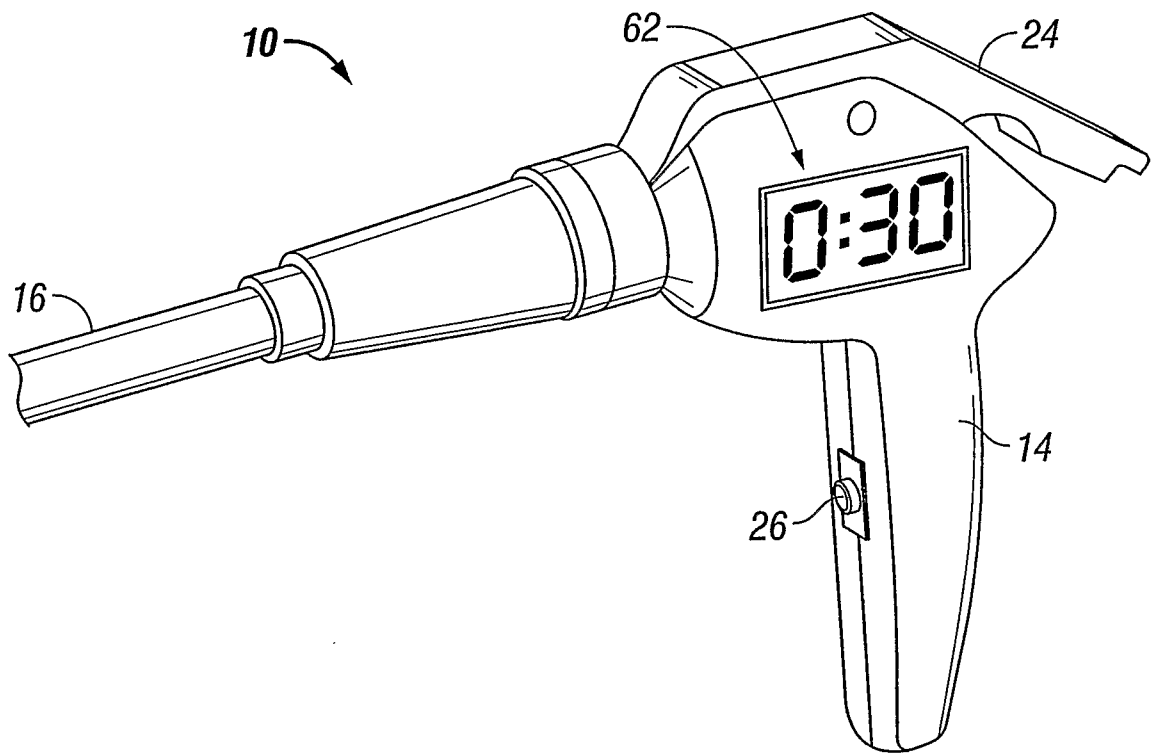


FIG. 5

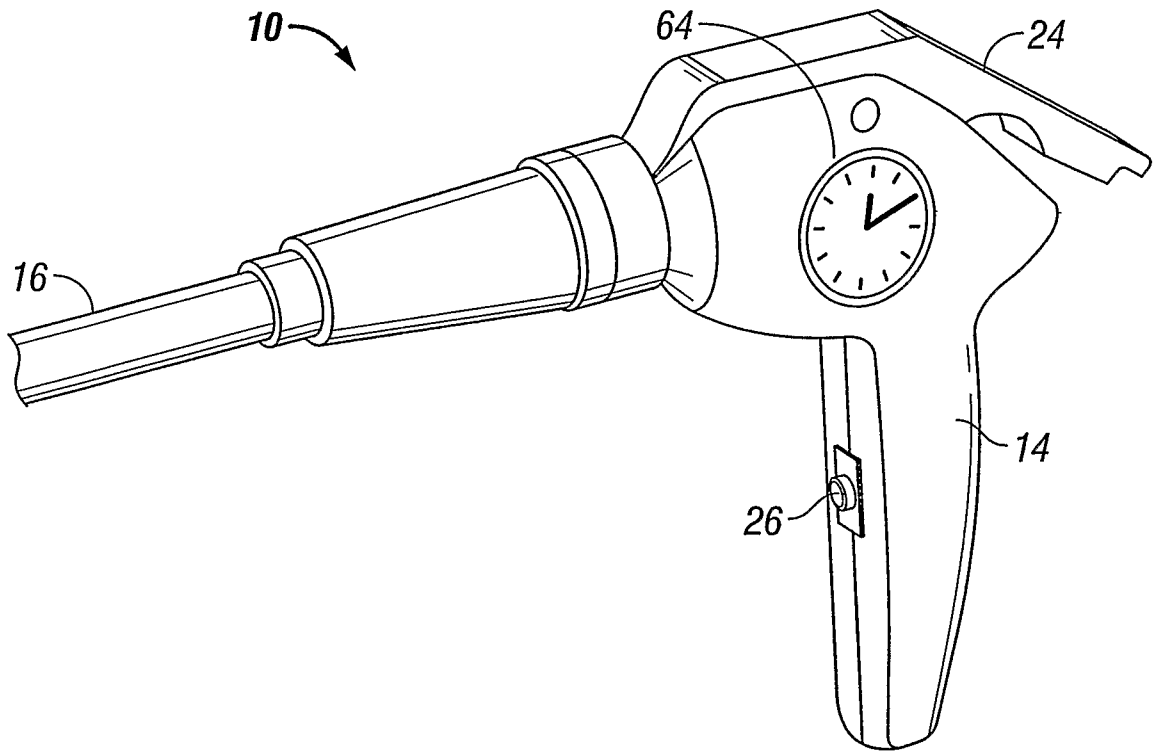


FIG. 6

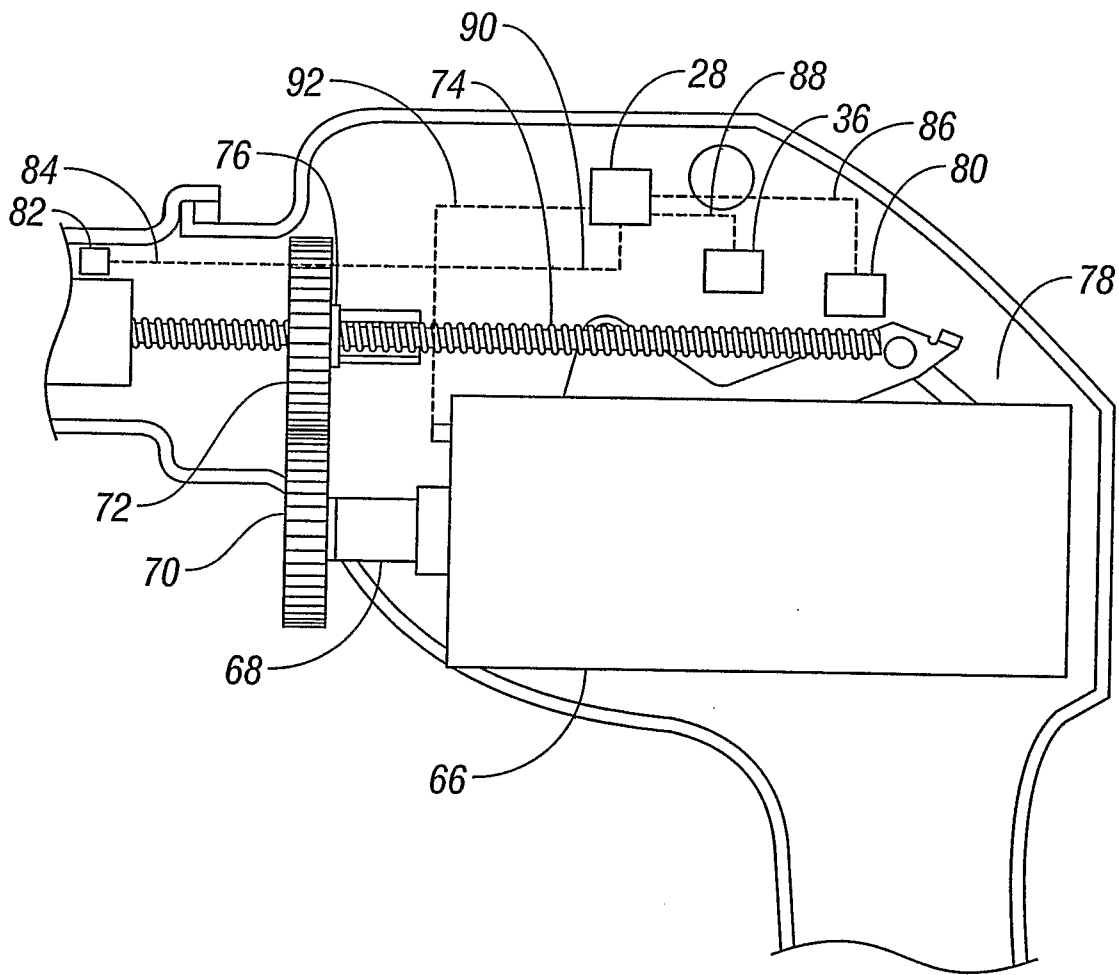


FIG. 7

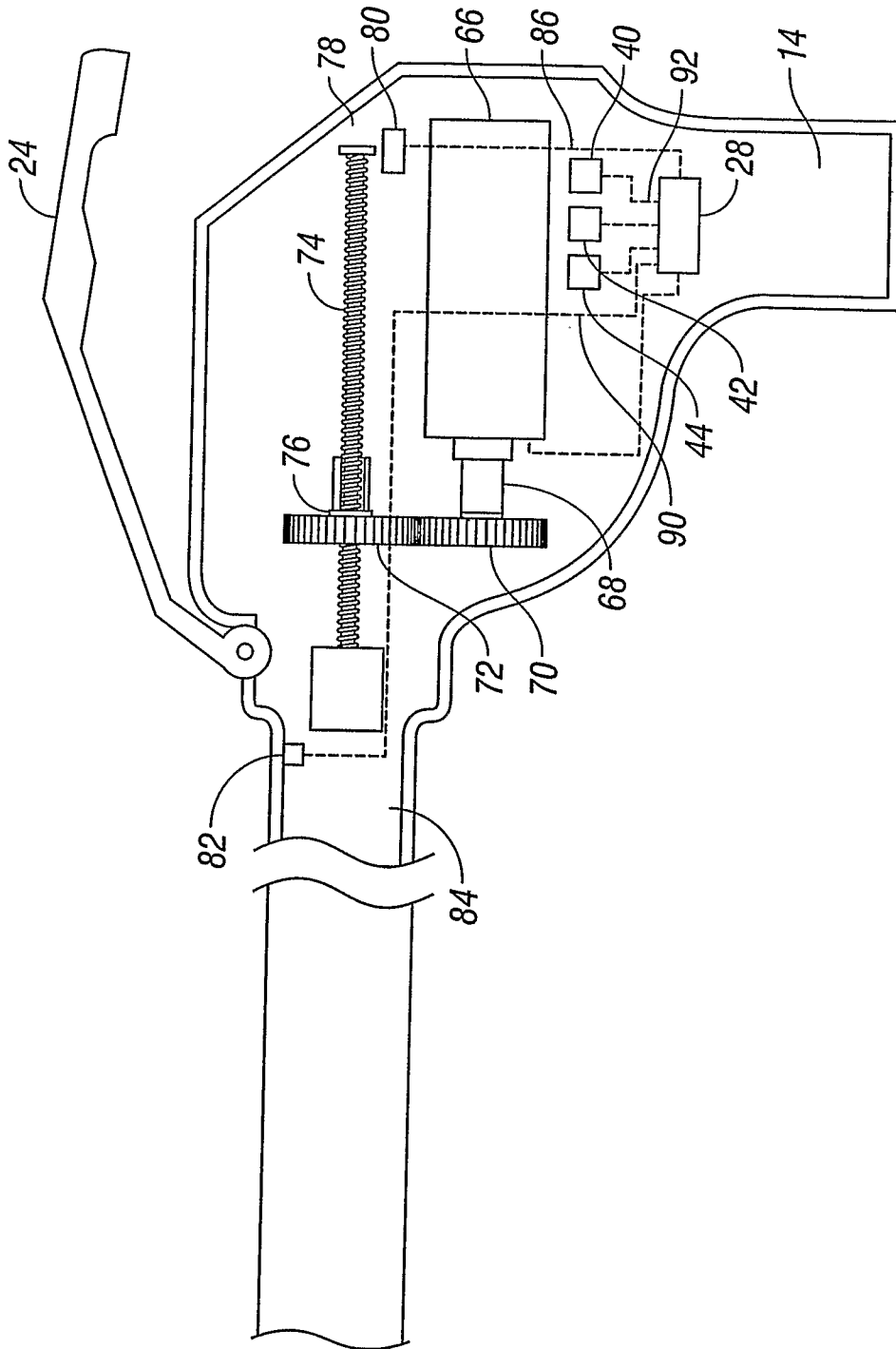


FIG. 8

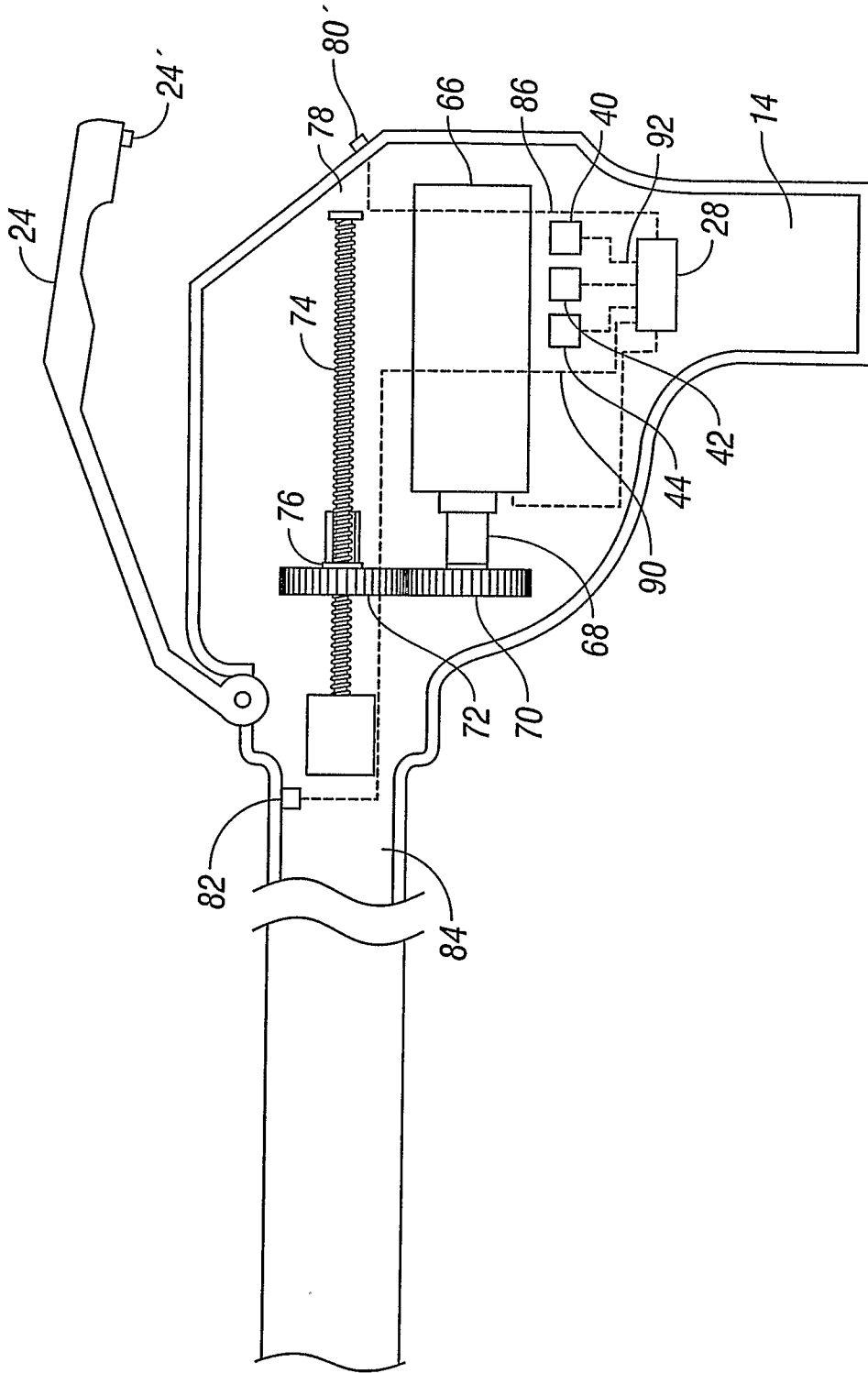


FIG. 8A

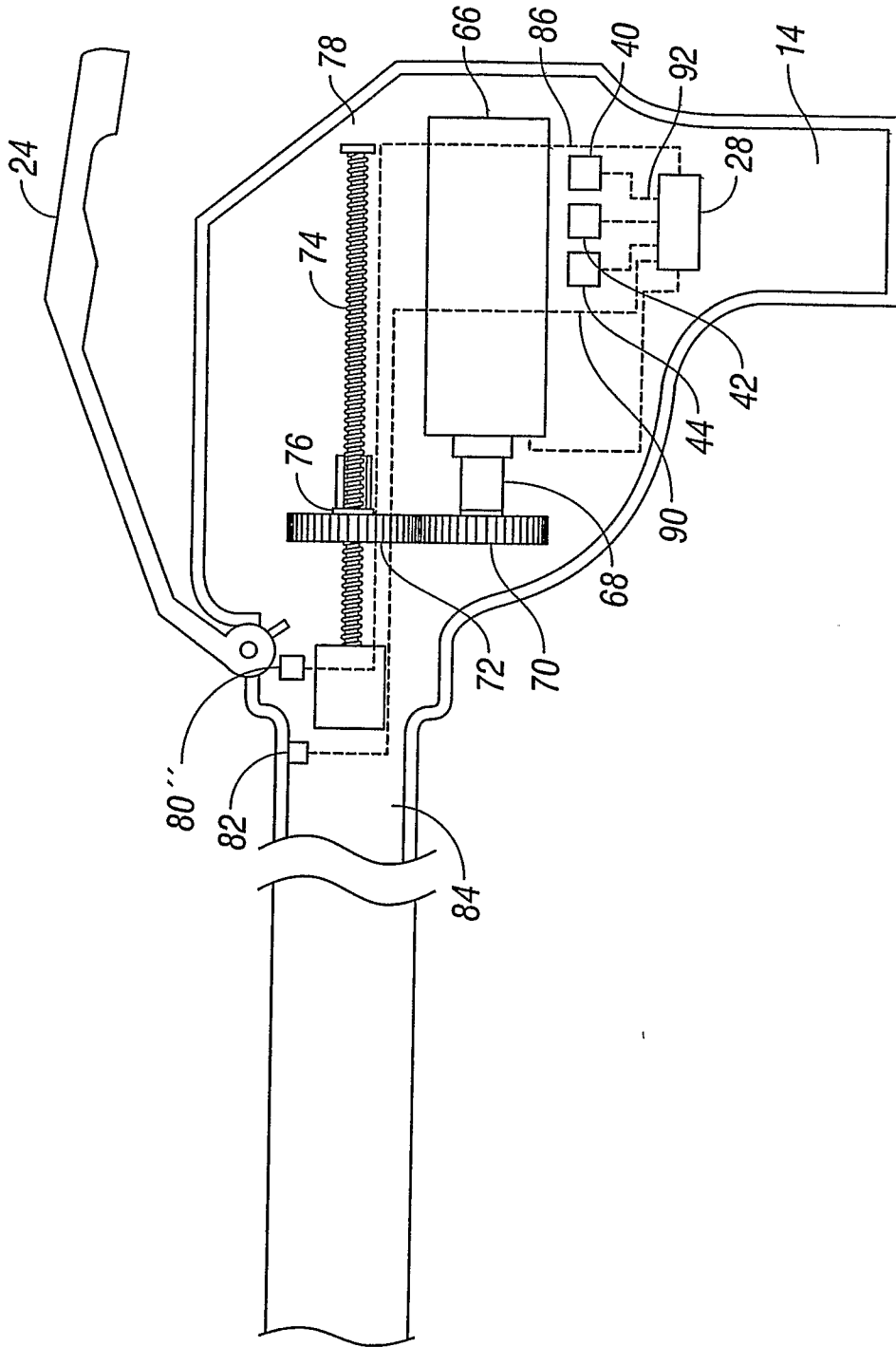


FIG. 8B

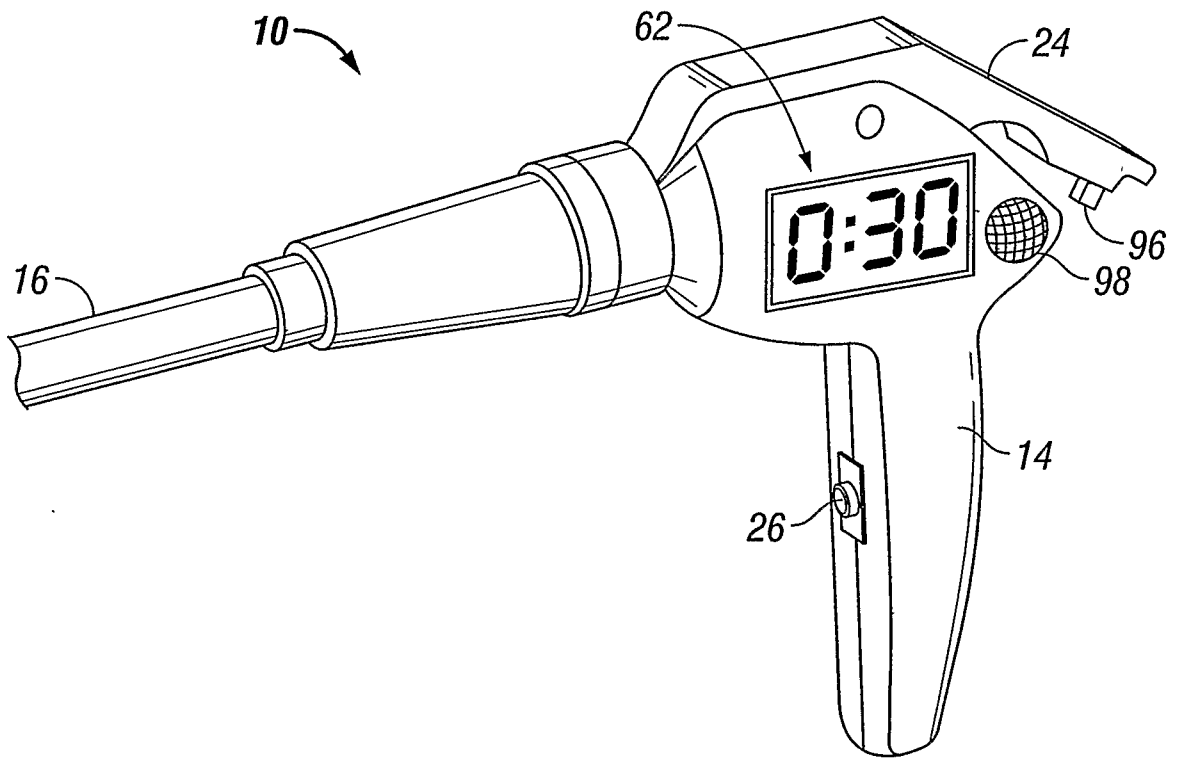


FIG. 9

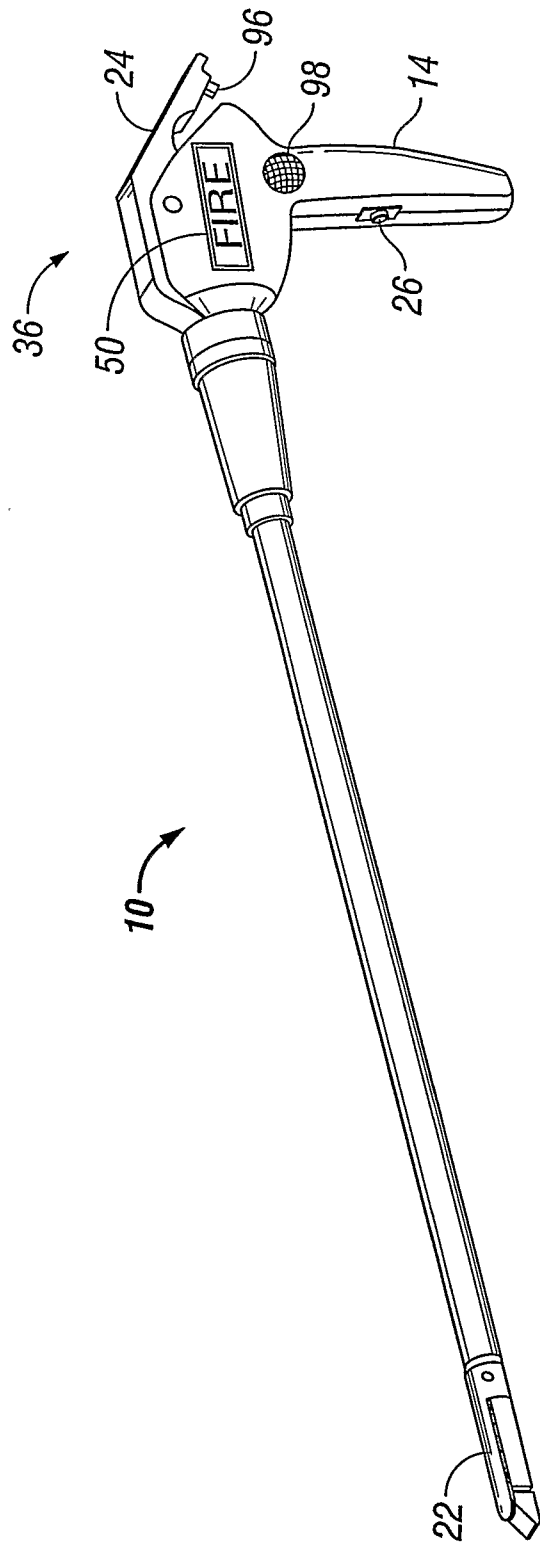


FIG. 10

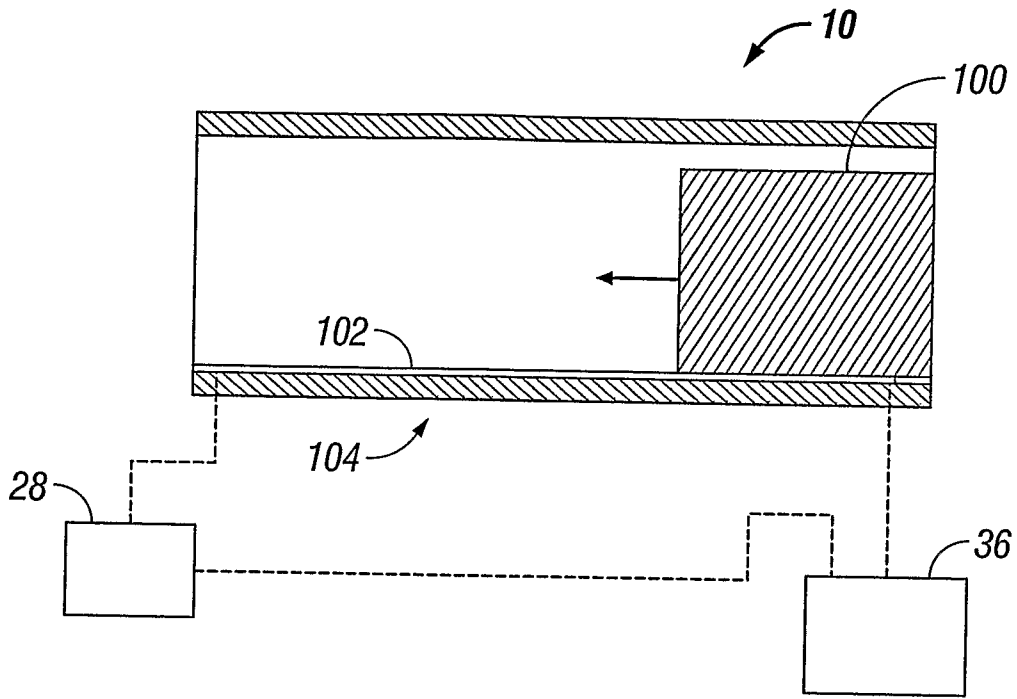


FIG. 11

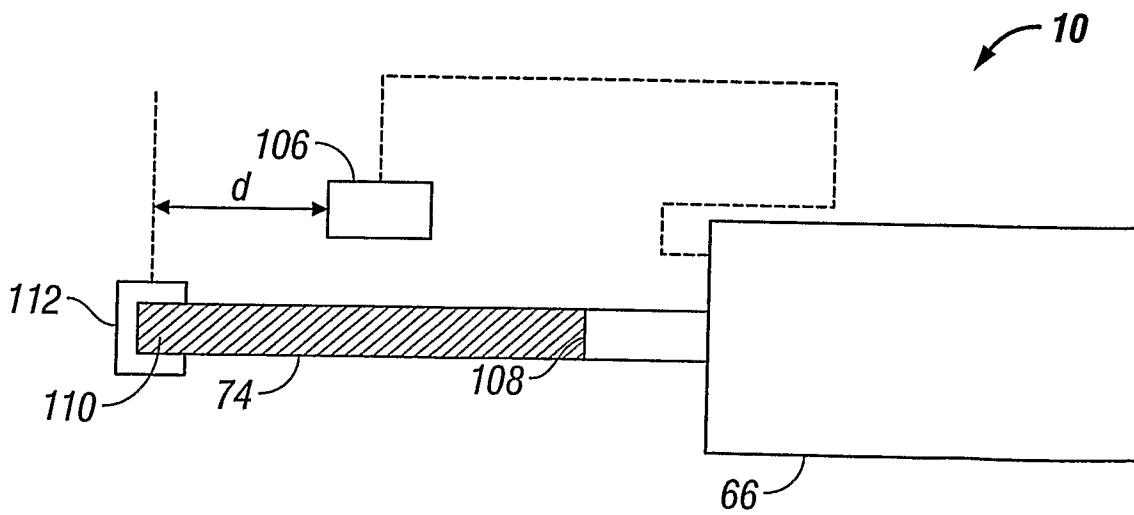


FIG. 12