



(51) International Patent Classification:  
A22C 29/02 (2006.01)

(21) International Application Number:  
PCT/EP2009/008012

(22) International Filing Date:  
10 November 2009 (10.11.2009)

(25) Filing Language: English

(26) Publication Language: English

(30) Priority Data:  
0820599.9 11 November 2008 (11.11.2008) GB

(71) Applicant (for all designated States except US): ALBUS SOLUTIONS LIMITED [GB/GB]; 2 Carlisle Terrace, Londonderry BT48 6JX, Northern Ireland (GB).

(72) Inventor; and

(75) Inventor/Applicant (for US only): ANDERSON, Erik [DK/DK]; Karen Bliixensvej 1, DK-2960 Rungsted Kyst (DK).

(74) Agents: WALLER, Stephen et al.; FRKelly, 4 Mount Charles, Belfast BT7 1NZ, Northern Ireland (GB).

(81) Designated States (unless otherwise indicated, for every kind of national protection available): AE, AG, AL, AM, AO, AT, AU, AZ, BA, BB, BG, BH, BR, BW, BY, BZ,

CA, CH, CL, CN, CO, CR, CU, CZ, DE, DK, DM, DO, DZ, EC, EE, EG, ES, FI, GB, GD, GE, GH, GM, GT, HN, HR, HU, ID, IL, IN, IS, JP, KE, KG, KM, KN, KP, KR, KZ, LA, LC, LK, LR, LS, LT, LU, LY, MA, MD, ME, MG, MK, MN, MW, MX, MY, MZ, NA, NG, NI, NO, NZ, OM, PE, PG, PH, PL, PT, RO, RS, RU, SC, SD, SE, SG, SK, SL, SM, ST, SV, SY, TJ, TM, TN, TR, TT, TZ, UA, UG, US, UZ, VC, VN, ZA, ZM, ZW.

(84) Designated States (unless otherwise indicated, for every kind of regional protection available): ARIPO (BW, GH, GM, KE, LS, MW, MZ, NA, SD, SL, SZ, TZ, UG, ZM, ZW), Eurasian (AM, AZ, BY, KG, KZ, MD, RU, TJ, TM), European (AT, BE, BG, CH, CY, CZ, DE, DK, EE, ES, FI, FR, GB, GR, HR, HU, IE, IS, IT, LT, LU, LV, MC, MK, MT, NL, NO, PL, PT, RO, SE, SI, SK, SM, TR), OAPI (BF, BJ, CF, CG, CI, CM, GA, GN, GQ, GW, ML, MR, NE, SN, TD, TG).

Published:

- with international search report (Art. 21(3))
- before the expiration of the time limit for amending the claims and to be republished in the event of receipt of amendments (Rule 48.2(h))

(88) Date of publication of the international search report:  
12 August 2010

(54) Title: APPARATUS FOR PROCESSING CRUSTACEANS

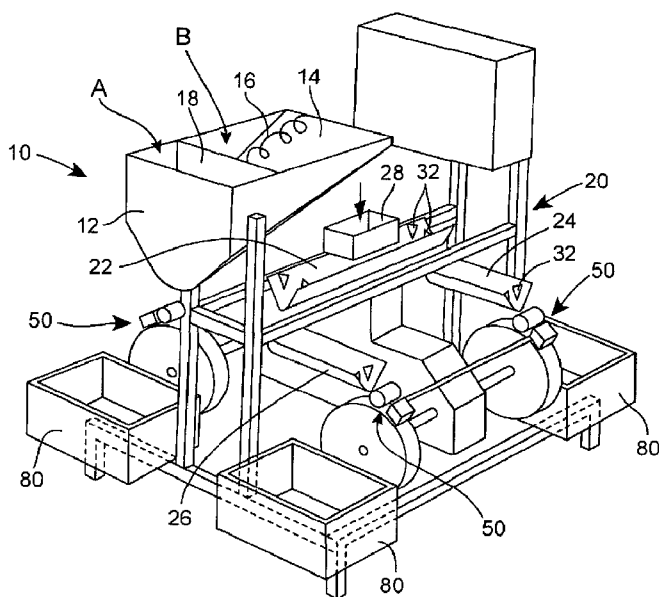


Figure 1

(57) Abstract: An apparatus for processing crustaceans comprising a feeder for feeding crustaceans to a singulating and conveying device, said singulating and conveying device delivering the crustaceans individually to at least one separating device, said at least one separating device separating the tail section of each crustacean from the head section thereof.



## INTERNATIONAL SEARCH REPORT

International application No  
PCT/EP2009/008012A. CLASSIFICATION OF SUBJECT MATTER  
INV. A22C29/02

According to International Patent Classification (IPC) or to both national classification and IPC

## B. FIELDS SEARCHED

Minimum documentation searched (classification system followed by classification symbols)  
A22C

Documentation searched other than minimum documentation to the extent that such documents are included in the fields searched

Electronic data base consulted during the international search (name of data base and, where practical, search terms used)

EPO-Internal

## C. DOCUMENTS CONSIDERED TO BE RELEVANT

Category*	Citation of document, with indication, where appropriate, of the relevant passages	Relevant to claim No.
X	US 4 531 261 A (SANAKA HIDEAKI [JP]) 30 July 1985 (1985-07-30) abstract; claims 1-5; figures 1-8b column 1, line 5 - column 8, line 20 -----	1-8
X	US 3 451 100 A (LEE ROBERT E) 24 June 1969 (1969-06-24) column 1, line 10 - column 4, line 39; claims 1-10; figures 1-4 -----	1-8, 10, 11, 15
X	US 4 222 153 A (SCHMIDT KARIN) 16 September 1980 (1980-09-16) abstract; claims 1-15; figures 1, 2 column 1, line 5 - column 5, line 62 ----- -/--	1-11

 Further documents are listed in the continuation of Box C. See patent family annex.

\* Special categories of cited documents :

"A" document defining the general state of the art which is not considered to be of particular relevance

"E" earlier document but published on or after the international filing date

"L" document which may throw doubts on priority claim(s) or which is cited to establish the publication date of another citation or other special reason (as specified)

"O" document referring to an oral disclosure, use, exhibition or other means

"P" document published prior to the international filing date but later than the priority date claimed

"T" later document published after the international filing date or priority date and not in conflict with the application but cited to understand the principle or theory underlying the invention

"X" document of particular relevance; the claimed invention cannot be considered novel or cannot be considered to involve an inventive step when the document is taken alone

"Y" document of particular relevance; the claimed invention cannot be considered to involve an inventive step when the document is combined with one or more other such documents, such combination being obvious to a person skilled in the art.

"&" document member of the same patent family

Date of the actual completion of the international search

7 April 2010

Date of mailing of the international search report

29/06/2010

Name and mailing address of the ISA/

European Patent Office, P.B. 5818 Patentlaan 2  
NL - 2280 HV Rijswijk  
Tel. (+31-70) 340-2040,  
Fax: (+31-70) 340-3016

Authorized officer

Rojo Galindo, Ángel

## INTERNATIONAL SEARCH REPORT

International application No  
PCT/EP2009/008012

C(Continuation). DOCUMENTS CONSIDERED TO BE RELEVANT		
Category*	Citation of document, with indication, where appropriate, of the relevant passages	Relevant to claim No.
X	US 6 102 790 A (COWSAR THOMAS C [US] ET AL) 15 August 2000 (2000-08-15) abstract; claims 1-13; figures 1-12B column 1, line 11 - column 12, line 52 -----	1,5-7,15
X	US 1 367 546 A (HIRTH JOUIS G ET AL) 8 February 1921 (1921-02-08) page 1, line 2 - page 2, line 20; claims 1-4; figures 1-4 -----	1-6

# INTERNATIONAL SEARCH REPORT

International application No.  
PCT/EP2009/008012

## Box No. II Observations where certain claims were found unsearchable (Continuation of item 2 of first sheet)

This international search report has not been established in respect of certain claims under Article 17(2)(a) for the following reasons:

1.  Claims Nos.:  
because they relate to subject matter not required to be searched by this Authority, namely:
  
2.  Claims Nos.:  
because they relate to parts of the international application that do not comply with the prescribed requirements to such an extent that no meaningful international search can be carried out, specifically:
  
3.  Claims Nos.:  
because they are dependent claims and are not drafted in accordance with the second and third sentences of Rule 6.4(a).

## Box No. III Observations where unity of invention is lacking (Continuation of item 3 of first sheet)

This International Searching Authority found multiple inventions in this international application, as follows:

see additional sheet

1.  As all required additional search fees were timely paid by the applicant, this international search report covers all searchable claims.
  
2.  As all searchable claims could be searched without effort justifying an additional fees, this Authority did not invite payment of additional fees.
  
3.  As only some of the required additional search fees were timely paid by the applicant, this international search report covers only those claims for which fees were paid, specifically claims Nos.:
  
4.  No required additional search fees were timely paid by the applicant. Consequently, this international search report is restricted to the invention first mentioned in the claims; it is covered by claims Nos.:

1-15

### Remark on Protest

- The additional search fees were accompanied by the applicant's protest and, where applicable, the payment of a protest fee.
- The additional search fees were accompanied by the applicant's protest but the applicable protest fee was not paid within the time limit specified in the invitation.
- No protest accompanied the payment of additional search fees.

FURTHER INFORMATION CONTINUED FROM PCT/ISA/ 210

This International Searching Authority found multiple (groups of) inventions in this international application, as follows:

1. claims: 1-15

Separating device for separating a head region from a tail region of a crustacean  
---

2. claims: 16-29

Apparatus for feeding crustaceans to a singulating and conveying device  
---

3. claims: 30-35

Orienting and singulating device for crustaceans  
---

# INTERNATIONAL SEARCH REPORT

Information on patent family members

International application No

PCT/EP2009/008012

Patent document cited in search report	A	Publication date	Patent family member(s)	Publication date
US 4531261	A	30-07-1985	AU 504149 B2 AU 1714476 A	04-10-1979 02-03-1978
US 3451100	A	24-06-1969	NONE	
US 4222153	A	16-09-1980	BE 872809 A2 DE 2758233 A1 DK 580178 A FR 2413037 A1 GB 2011242 A JP 54105100 A NL 7812072 A NO 784139 A SE 7813287 A	30-03-1979 05-07-1979 28-06-1979 27-07-1979 11-07-1979 17-08-1979 29-06-1979 28-06-1979 28-06-1979
US 6102790	A	15-08-2000	AU 4031600 A WO 0070958 A1	12-12-2000 30-11-2000
US 1367546	A	08-02-1921	NONE	