



US00D714224S

(12) **United States Design Patent**
Tada et al.

(10) **Patent No.:** **US D714,224 S**

(45) **Date of Patent:** **** Sep. 30, 2014**

(54) **PLUG CONNECTOR**

(75) Inventors: **Hiroyuki Tada**, Tokyo (JP); **Tsuyoshi Kawashima**, Tokyo (JP); **Atsushi Yamaguchi**, Tokyo (JP)

(73) Assignee: **Fujikura Ltd.**, Tokyo (JP)

(**) Term: **14 Years**

(21) Appl. No.: **29/427,335**

(22) Filed: **Jul. 17, 2012**

(30) **Foreign Application Priority Data**

Feb. 7, 2012 (JP) 2012-002468

(51) **LOC (10) Cl.** **13-03**

(52) **U.S. Cl.**
USPC **D13/146**

(58) **Field of Classification Search**
USPC D13/147, 154, 184, 199; 439/108, 135, 439/180, 246, 278, 291, 344, 374, 378, 381, 439/391, 509, 527, 529, 530, 533, 587, 594, 439/598, 607.01, 607.04, 607.17, 607.25, 439/607.34, 607.41, 607.53, 626, 637, 656, 439/660, 668, 676, 680, 711, 745, 752, 892, 439/894

See application file for complete search history.

(56) **References Cited**

U.S. PATENT DOCUMENTS

5,274,729 A * 12/1993 King et al. 385/134
D447,464 S * 9/2001 Bosatelli D13/146

D556,688 S * 12/2007 Shogaki et al. D13/133
D589,884 S * 4/2009 Arai et al. D13/133
D639,743 S * 6/2011 Smith et al. D13/146

* cited by examiner

Primary Examiner — Daniel Bui

(74) *Attorney, Agent, or Firm* — Nixon & Vanderhuy P.C.

(57) **CLAIM**

The ornamental design for a plug connector, as shown and described.

DESCRIPTION

FIG. 1 is a top, front, and right side perspective view of a plug connector showing our new design.

FIG. 2 is a top, front and left side perspective view thereof.

FIG. 3 is a bottom, front, and right side perspective view thereof.

FIG. 4 is a bottom, front and left side perspective view thereof.

FIG. 5 is a front elevation view thereof.

FIG. 6 is a rear elevation view thereof.

FIG. 7 is a top plan view thereof.

FIG. 8 is a bottom plan view thereof.

FIG. 9 is a left side elevation view thereof; and,

FIG. 10 is a right side elevation view thereof.

The broken line in the drawings is included to show unclaimed environment only and forms no part of the claimed design.

1 Claim, 10 Drawing Sheets

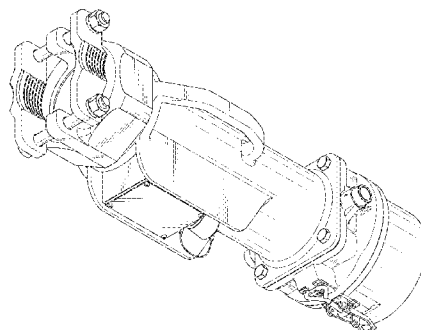
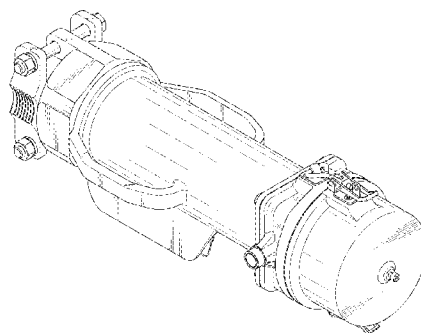


FIG. 1

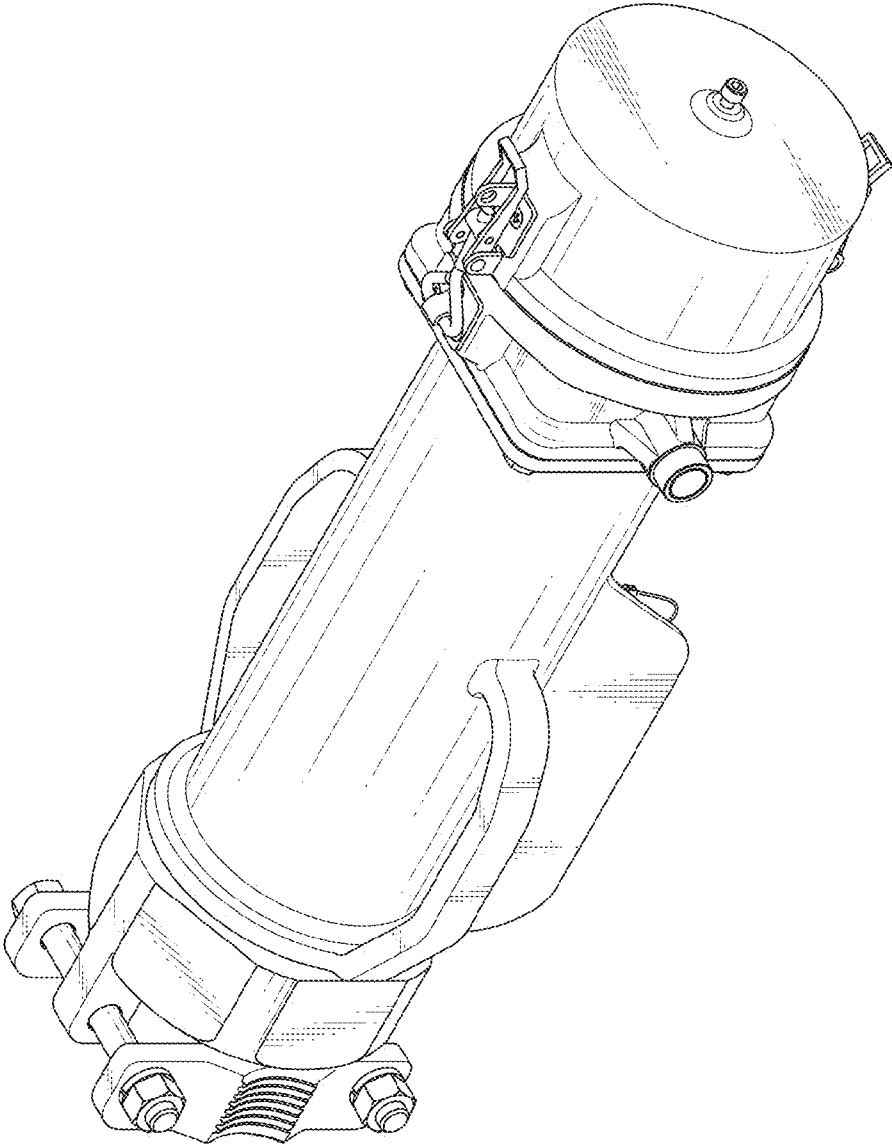


FIG. 2

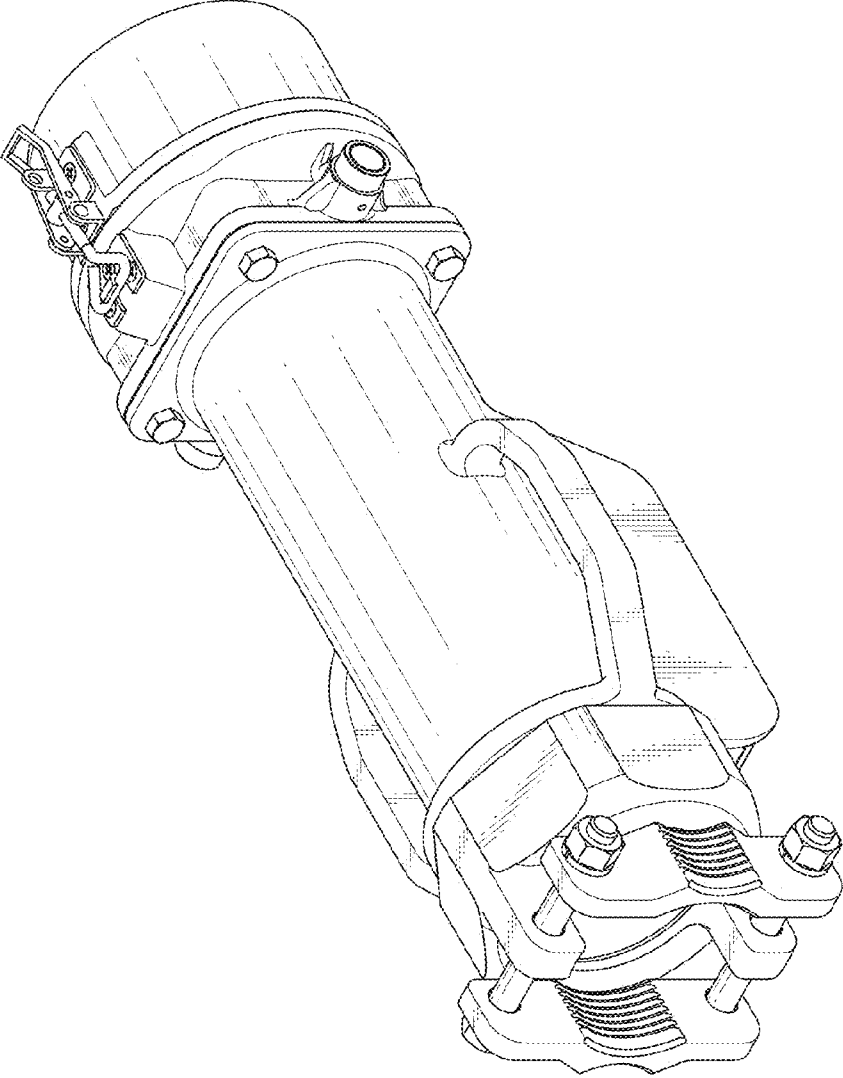


FIG. 3

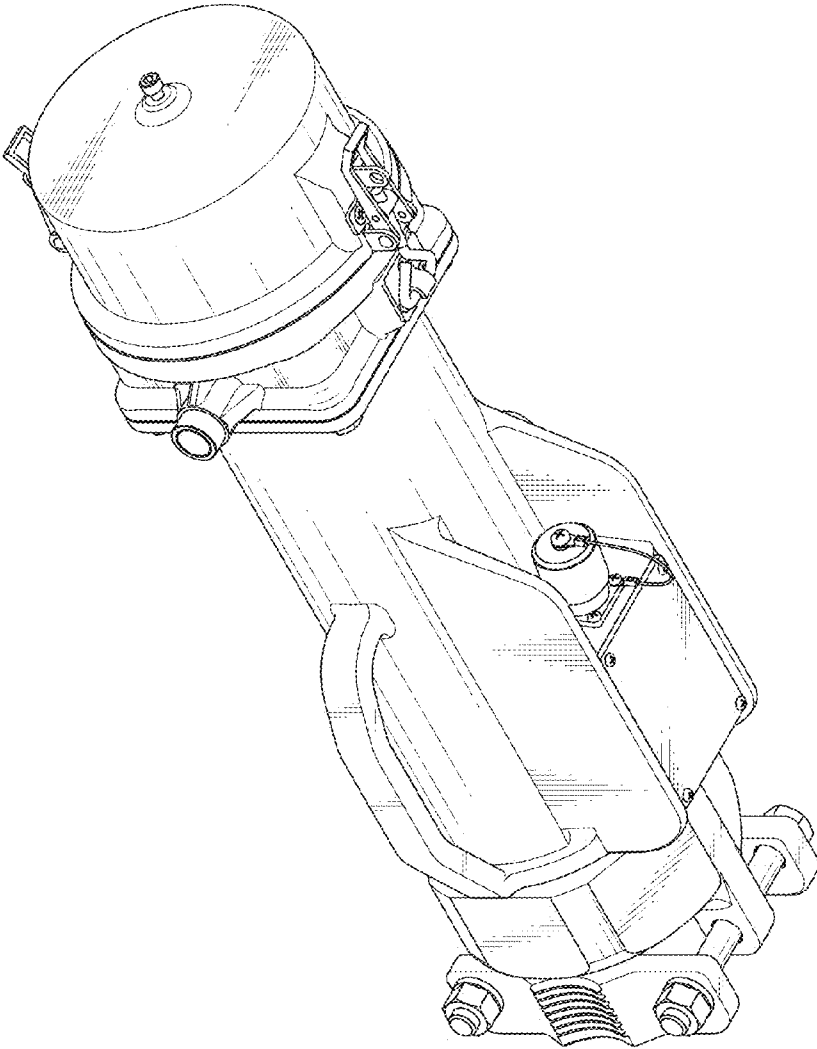


FIG. 4

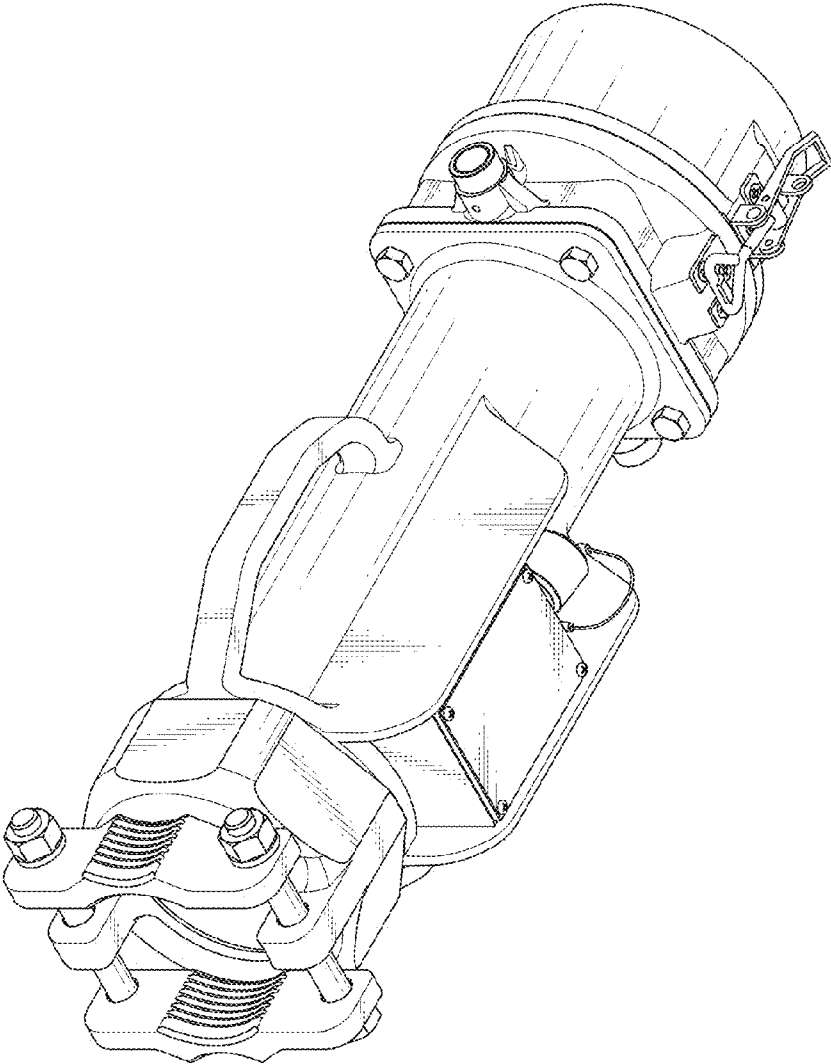


FIG. 5

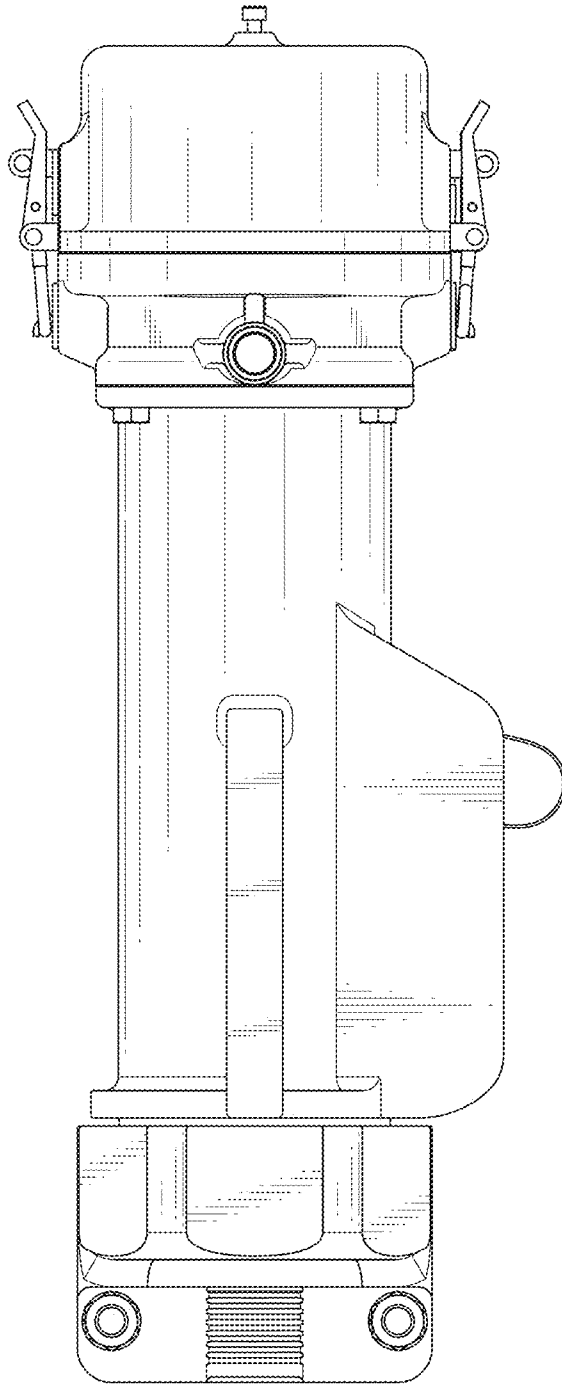


FIG. 6

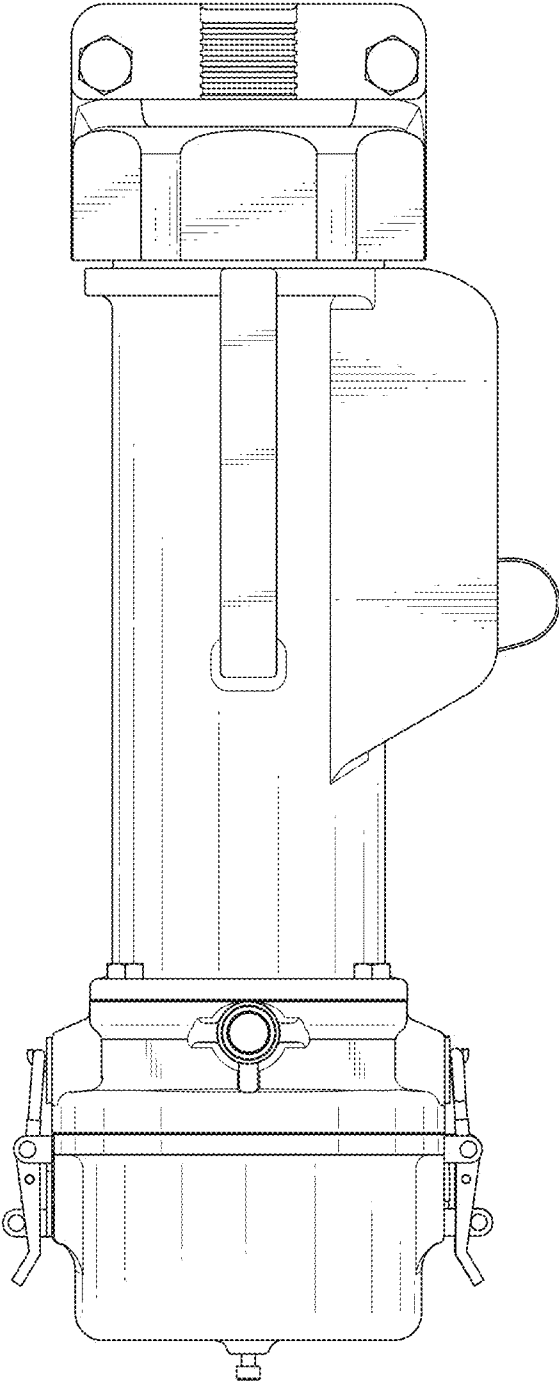


FIG. 7

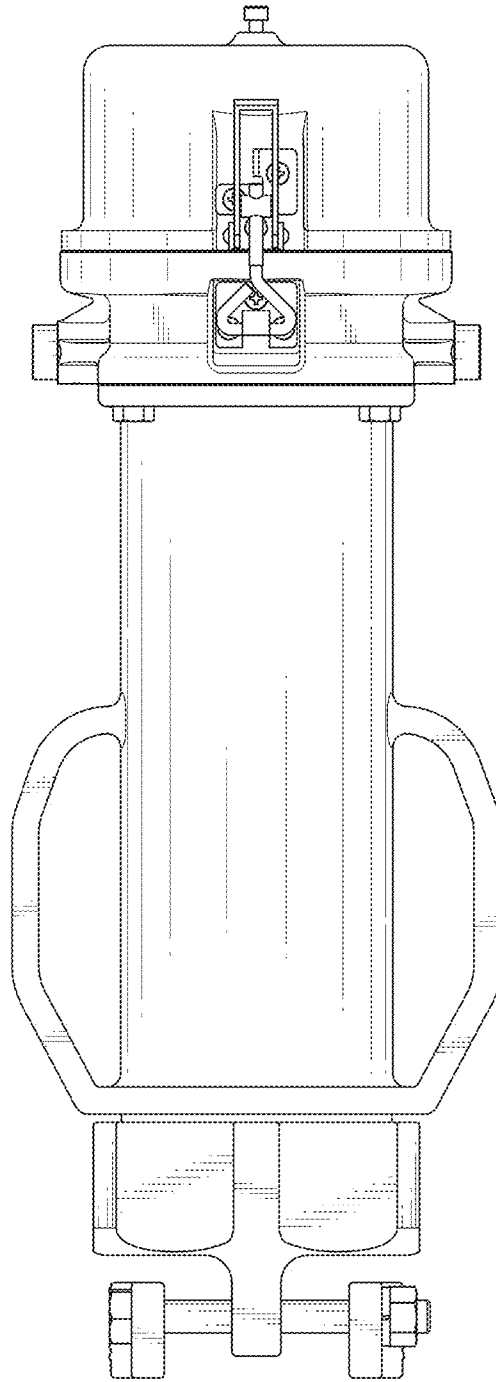


FIG. 8

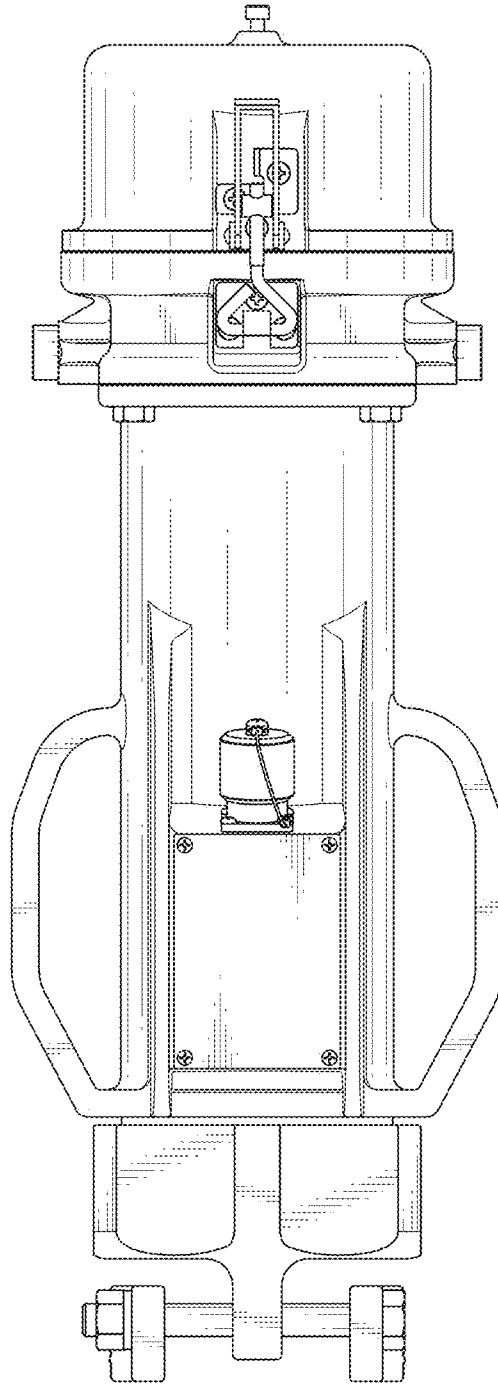


FIG. 9

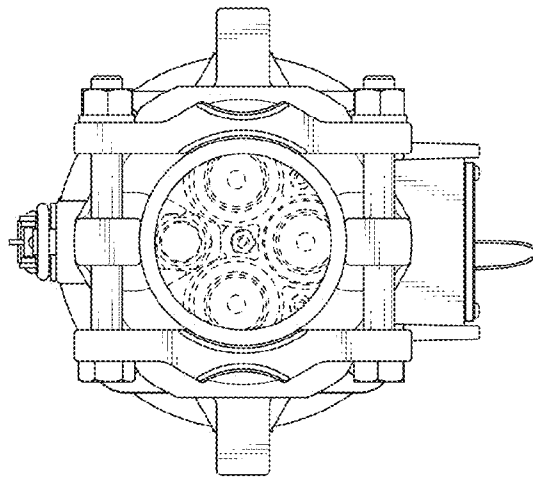


FIG. 10

