



US00D345024S

# United States Patent [19]

[11] Patent Number: **Des. 345,024**

Fox

[45] Date of Patent: **\*\* Mar. 8, 1994**

[54] **LAMP BASE AND DISPLAY CASE  
COMBINED**

4,553,680 11/1985 Griggs et al. .... D6/470 X

[76] Inventor: **Jordan E. Fox**, 4819 Platinum Loop,  
Rio Rancho, NM 87124

### FOREIGN PATENT DOCUMENTS

2027969A 2/1980 United Kingdom ..... 40/553

[\*\*] Term: **14 Years**

*Primary Examiner*—Susan J. Lucas  
*Attorney, Agent, or Firm*—DeWitt M. Morgan

[21] Appl. No.: **810,924**

### [57] CLAIM

[22] Filed: **Dec. 20, 1991**

The ornamental design for a combined lamp base and display case, as shown and described.

[52] U.S. Cl. .... **D26/58; D6/470;**  
**D26/56; D26/93**

[58] Field of Search ..... **D6/470, 399;**  
**362/410-414, 125, 133, 134; 220/4.28, 4.31;**  
**D26/93, 102-112, 51, 56, 58**

### DESCRIPTION

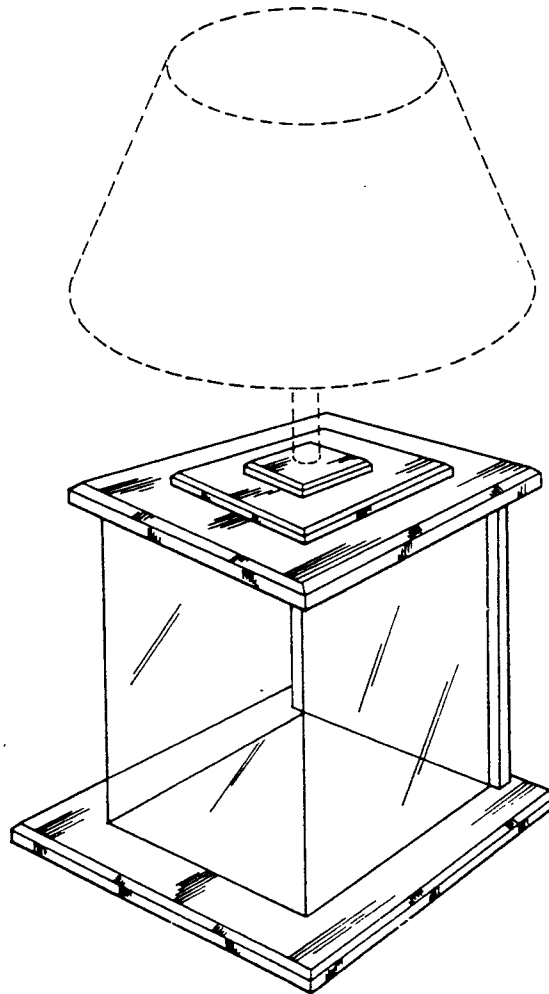
### [56] References Cited

#### U.S. PATENT DOCUMENTS

- D. 42,461 5/1912 Harden, Jr. .... D6/470 X
- D. 94,025 12/1934 Gilman et al. .... D26/56
- D. 201,295 6/1965 Robichaud ..... D26/58
- D. 324,923 3/1992 Branch et al. .... D26/56
- D. 2,638,533 5/1953 Zobian ..... D26/102 X
- 4,195,729 4/1980 Macken ..... 206/45.34

FIG. 1 is a top view of my invention;  
 FIG. 2 is a front view thereof;  
 FIG. 3 is a side view, the opposite side being a mirror image;  
 FIG. 4 is a bottom view;  
 FIG. 5 is a perspective view thereof on an enlarged scale; and,  
 FIG. 6 is a rear view thereof.

The lamp shade and support, and figure in the display case are shown in broken lines for illustrative purposes only.



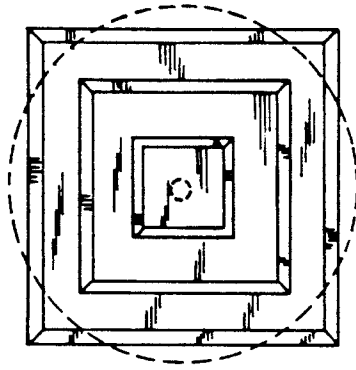


FIG-1

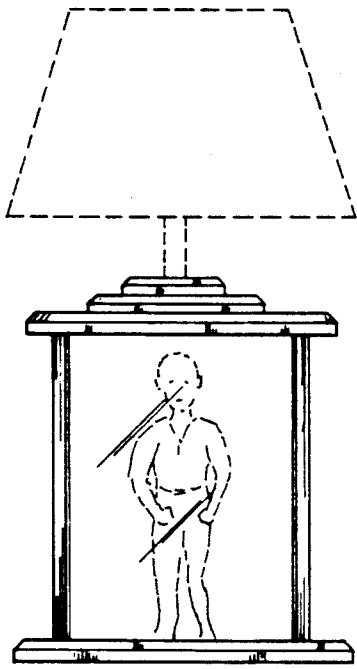


FIG-2

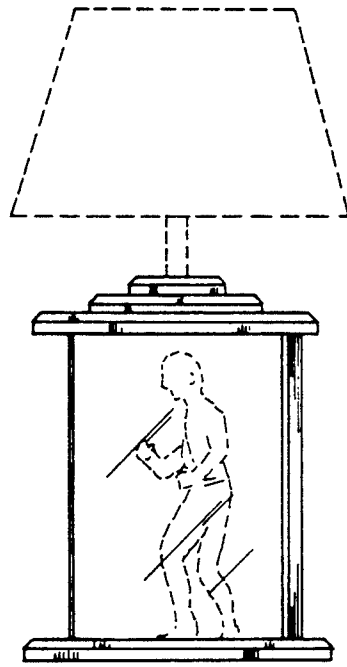


FIG-3

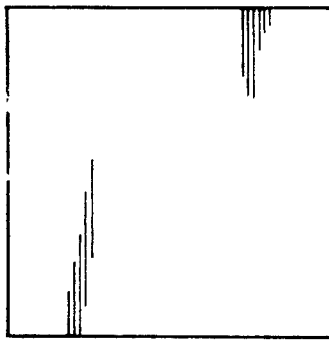


FIG-4

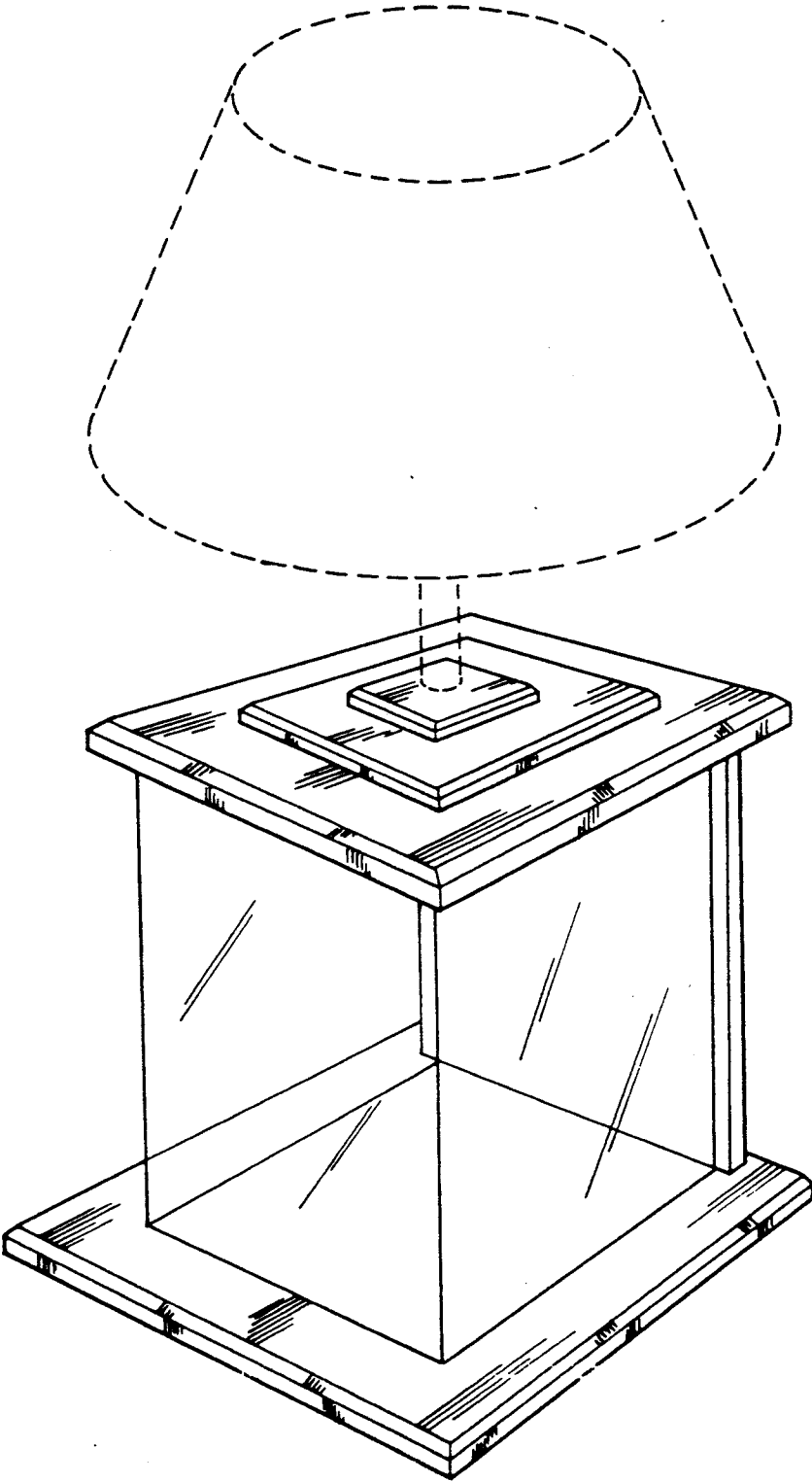


FIG - 5

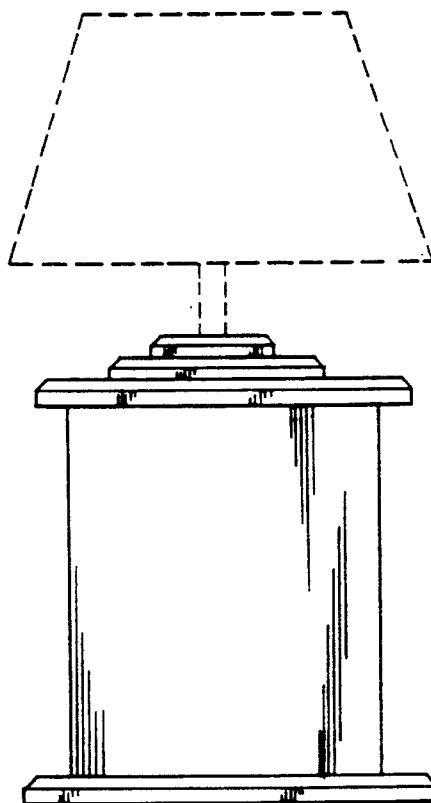


FIG - 6