

(19) World Intellectual Property Organization  
International Bureau



(43) International Publication Date  
14 May 2010 (14.05.2010)

(10) International Publication Number  
**WO 2010/054380 A3**

(51) International Patent Classification:  
*G09F 9/33* (2006.01) *G09F 9/00* (2006.01)

**MEEKER, Matthew, Kengi** [US/US]; c/o pix2o, Suite 100, 1300 Valley House Dr, Rohnert Park, California 94928 (US).

(21) International Application Number:  
PCT/US2009/063884

(74) Agent: **SHERMAN, Edward, S.**; Suite 303, 3554 Round Barn Blvd., Santa Rosa, California 95403 (US).

(22) International Filing Date:  
10 November 2009 (10.11.2009)

(81) Designated States (unless otherwise indicated, for every kind of national protection available): AE, AG, AL, AM, AO, AT, AU, AZ, BA, BB, BG, BH, BR, BW, BY, BZ, CA, CH, CL, CN, CO, CR, CU, CZ, DE, DK, DM, DO, DZ, EC, EE, EG, ES, FI, GB, GD, GE, GH, GM, GT, HN, HR, HU, ID, IL, IN, IS, JP, KE, KG, KM, KN, KP, KR, KZ, LA, LC, LK, LR, LS, LT, LU, LY, MA, MD, ME, MG, MK, MN, MW, MX, MY, MZ, NA, NG, NI, NO, NZ, OM, PE, PG, PH, PL, PT, RO, RS, RU, SC, SD, SE, SG, SK, SL, SM, ST, SV, SY, TJ, TM, TN, TR, TT, TZ, UA, UG, US, UZ, VC, VN, ZA, ZM, ZW.

(25) Filing Language: English

(26) Publication Language: English

(30) Priority Data:  
61/112,825 10 November 2008 (10.11.2008) US  
61/869,968 15 June 2009 (15.06.2009) US

(71) Applicant (for all designated States except US): **DISPLAIRE CORPORATION** [US/US]; c/o pix2o, Suite 100, 1300 Valley House Dr, Rohnert Park, California 94928 (US).

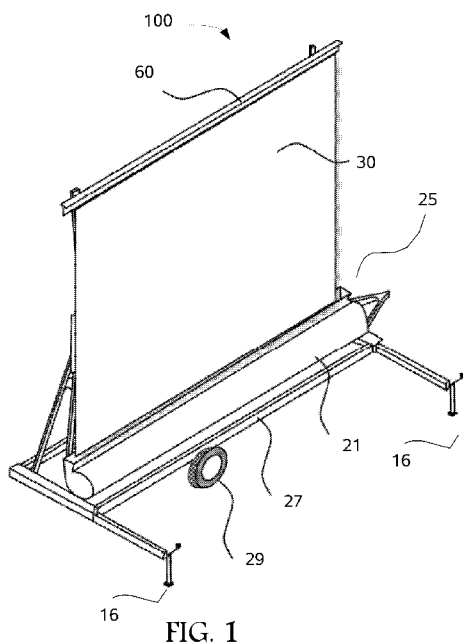
(84) Designated States (unless otherwise indicated, for every kind of regional protection available): ARIPO (BW, GH, GM, KE, LS, MW, MZ, NA, SD, SL, SZ, TZ, UG, ZM, ZW), Eurasian (AM, AZ, BY, KG, KZ, MD, RU, TJ, TM), European (AT, BE, BG, CH, CY, CZ, DE, DK, EE, ES, FI, FR, GB, GR, HR, HU, IE, IS, IT, LT, LU, LV, MC, MK, MT, NL, NO, PL, PT, RO, SE, SI, SK, SM, TR), OAPI (BF, BJ, CF, CG, CI, CM, GA, GN, GQ, GW, ML, MR, NE, SN, TD, TG).

(72) Inventors; and

(75) Inventors/Applicants (for US only): **AULD, Lynton, W.** [US/US]; c/o pix2o, Suite 100, 1300 Valley House Dr, Rohnert Park, California 94928 (US). **STEARNS, Leo** [US/US]; c/o pix2o, Suite 100, 1300 Valley House Dr, Rohnert Park, California 94928 (US). **SMEDBERG, Darin, Parnell** [US/US]; c/o pix2o, Suite 100, 1300 Valley House Dr, Rohnert Park, California 94928 (US).

[Continued on next page]

(54) Title: LARGE SCREEN PORTABLE LED DISPLAY



(57) Abstract: A large size display is transportable, being construed of multiple rigid segments containing light emitting diodes (LED's). The rigid segments are linked by hinges or cables so the display is flexible and can be rolled up for storage and transport. The display can be unrolled upward or downwards such as from a protective container, such as a canister or truss. The weight of the display on the linked hinges or the tensioned cables provides sufficient rigidity. Such cables, like a signal and power distribution bus, are connected to the rear of each rigid element. The display can be repaired by removing and replacing selected rigid segments from the front thereof.

WO 2010/054380 A3

**Declarations under Rule 4.17:**

— *of inventorship (Rule 4.17(iv))*

**Published:**

— *with international search report (Art. 21(3))*

— *before the expiration of the time limit for amending the claims and to be republished in the event of receipt of amendments (Rule 48.2(h))*

**(88) Date of publication of the international search report:**

19 August 2010

## INTERNATIONAL SEARCH REPORT

International application No.  
**PCT/US2009/063884****A. CLASSIFICATION OF SUBJECT MATTER***G09F 9/33(2006.01)i, G09F 9/00(2006.01)i*

According to International Patent Classification (IPC) or to both national classification and IPC

**B. FIELDS SEARCHED**

Minimum documentation searched (classification system followed by classification symbols)

G09F 9/33; G09F 11/29; G09F 15/00; G09F 19/00; G09F 9/35

Documentation searched other than minimum documentation to the extent that such documents are included in the fields searched

Korean utility models and applications for utility models  
Japanese utility models and applications for utility models

Electronic data base consulted during the international search (name of data base and, where practicable, search terms used)

eKOMPASS(KIPO internal) &amp; Keywords: flexible, rollable, display

**C. DOCUMENTS CONSIDERED TO BE RELEVANT**

Category*	Citation of document, with indication, where appropriate, of the relevant passages	Relevant to claim No.
A	US 2006-0107566 A1 (BAS JAN EMILE VAN RENS) 25 May 2006 See abstract, paragraph [0036] ~ [0038], and Figs. 4, 5	1-35
A	US 2006-0117624 A1 (DAVID U. HILLSTROM et al.) 08 June 2006 See abstract, paragraph [0021] ~ [0026] and Fig. 1	1-35
A	WO 2004-047059 A1 (KONINKLIJKE PHILIPS ELECTRONICS N.V. et al.) 03 June 2004  See abstract, Page. 2 line 20 ~ Page. 3 line 13, and Figs. 1, 4	1-35

 Further documents are listed in the continuation of Box C. See patent family annex.

\* Special categories of cited documents:

"A" document defining the general state of the art which is not considered to be of particular relevance

"E" earlier application or patent but published on or after the international filing date

"L" document which may throw doubts on priority claim(s) or which is cited to establish the publication date of citation or other special reason (as specified)

"O" document referring to an oral disclosure, use, exhibition or other means

"P" document published prior to the international filing date but later than the priority date claimed

"T" later document published after the international filing date or priority date and not in conflict with the application but cited to understand the principle or theory underlying the invention

"X" document of particular relevance; the claimed invention cannot be considered novel or cannot be considered to involve an inventive step when the document is taken alone

"Y" document of particular relevance; the claimed invention cannot be considered to involve an inventive step when the document is combined with one or more other such documents, such combination being obvious to a person skilled in the art

"&amp;" document member of the same patent family

Date of the actual completion of the international search

18 JUNE 2010 (18.06.2010)

Date of mailing of the international search report

**22 JUNE 2010 (22.06.2010)**

Name and mailing address of the ISA/KR

Korean Intellectual Property Office  
Government Complex-Daejeon, 139 Seonsa-ro, Seo-  
gu, Daejeon 302-701, Republic of Korea

Facsimile No. 82-42-472-7140

Authorized officer

JEONG, Jae Heon

Telephone No. 82-42-481-5672



**INTERNATIONAL SEARCH REPORT**

Information on patent family members

International application No.

**PCT/US2009/063884**

Patent document cited in search report	Publication date	Patent family member(s)	Publication date
US 2006-0107566 A1	25.05.2006	AU 2003-302796 A1	30.06.2004
		AU 2003-302796 A1	30.06.2004
		CN 100350439 C	21.11.2007
		CN 100350439 C	21.11.2007
		CN 1723483 A	18.01.2006
		CN 1723483 A	18.01.2006
		EP 1573703 A1	14.09.2005
		JP 2006-509249 A	16.03.2006
		JP 2006-509249 T	16.03.2006
		JP 2006-509249 T	16.03.2006
		KR 10-2005-0085412 A	29.08.2005
		KR20050085412A	29.08.2005
		KR20050085412A	29.08.2005
		US 2006-107566 A1	25.05.2006
		WO 2004-053818 A1	24.06.2004
		WO 2004-053818 A1	24.06.2004
US 2006-0117624 A1	08.06.2006	US 7584563 B2	08.09.2009
WO 2004-047059 A1	03.06.2004	AU 2003-272033 A1	15.06.2004
		AU 2003-272033 A1	15.06.2004
		CN 1714379 A	28.12.2005
		CN 1714379 C0	23.01.2008
		EP 1565900 A1	24.08.2005
		JP 2006-507543 A	02.03.2006
		JP 2006-507543 T	02.03.2006
		JP 2006-507543 T	02.03.2006
		KR 10-2005-0085090 A	29.08.2005
		KR20050085090A	29.08.2005
		KR20050085090A	29.08.2005
		TW 259276 Y	11.03.2005
		US 2006-0007368 A1	12.01.2006
		US 2006-007368 A1	12.01.2006
		US 7710370 B2	04.05.2010
		WO 2004-047059 A1	03.06.2004